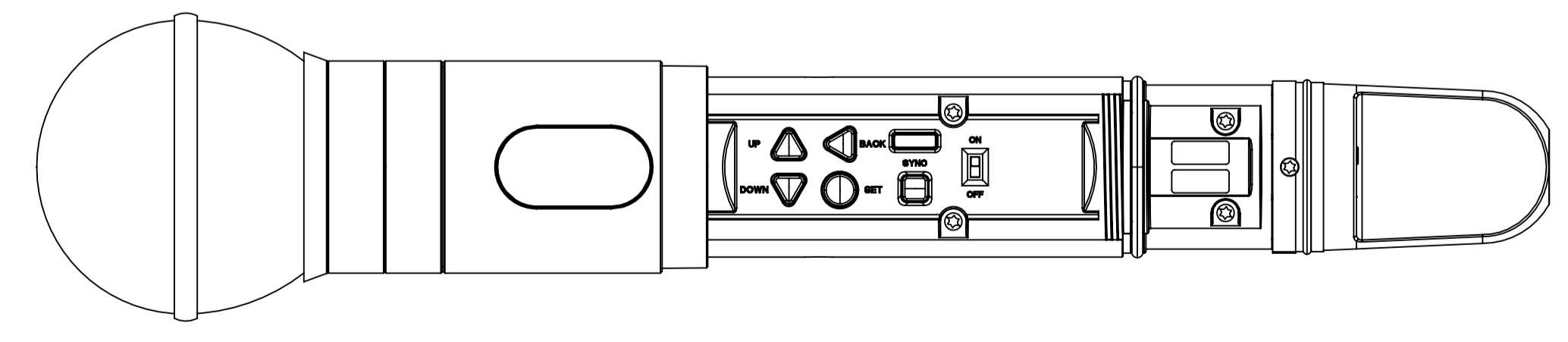
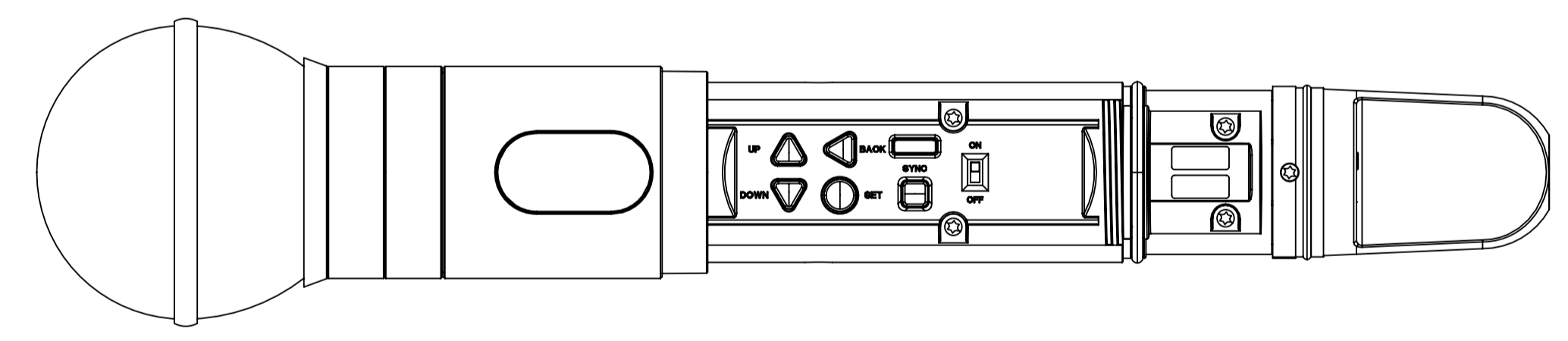
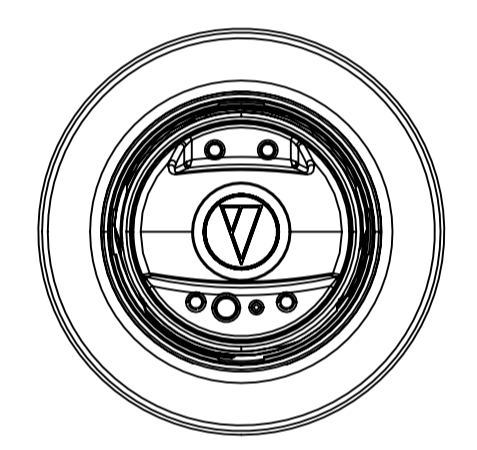
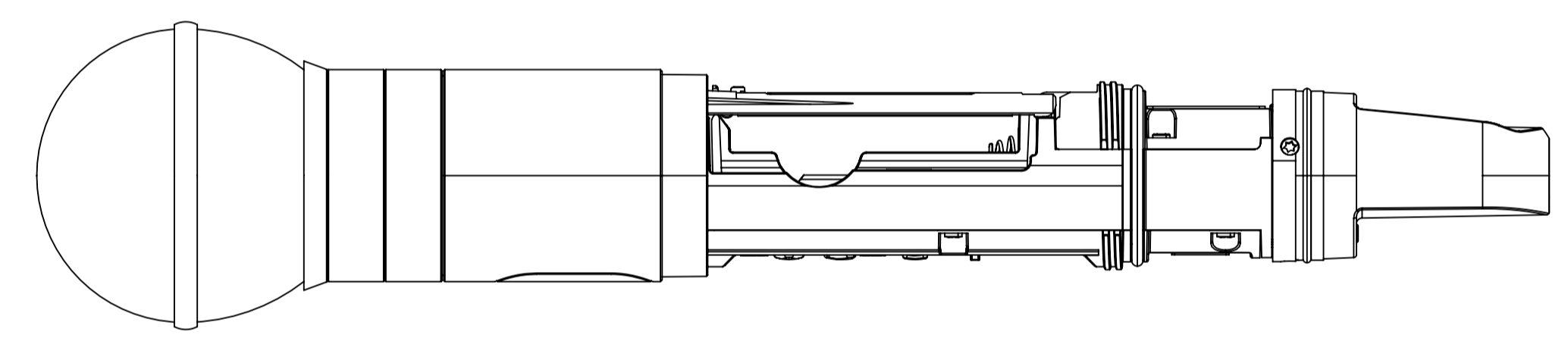
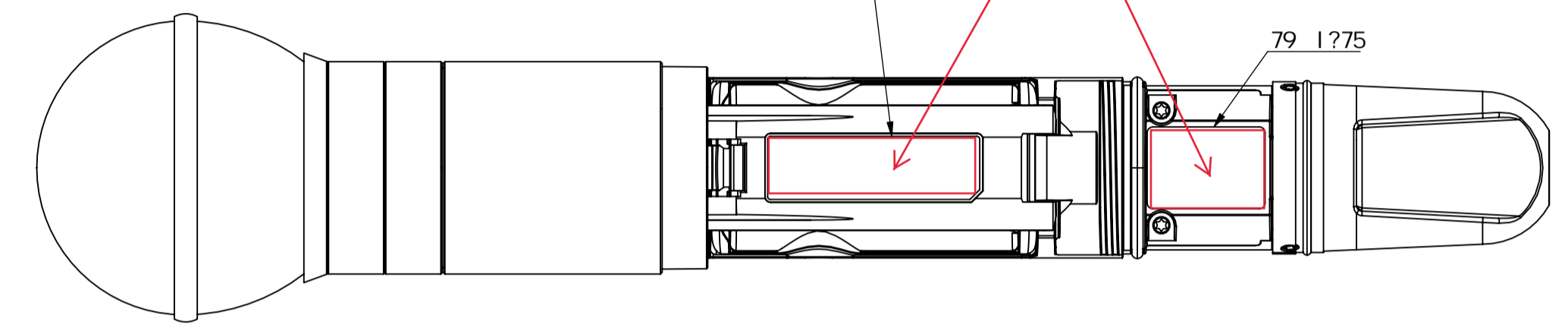
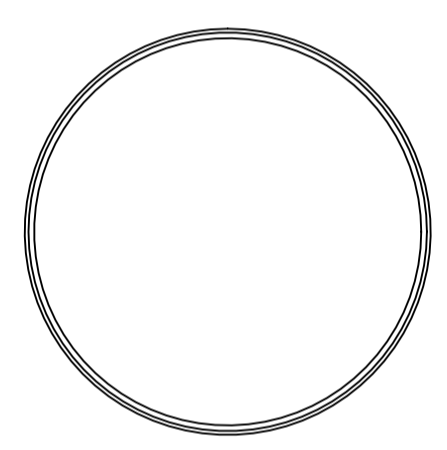


5
6
7
8
9
:
:
:
=
>
?

Rating Label location

: 77 =8z=7zacXY ' bLaY
79 1?75



% 5H
BCH9
% 7cad m[k]h\ h\Y' 5i X]cl HWNb]WU' ; fci d' Ybj] fcaYbhU' ' ei U] hm]ghUbXUFX' Zcf' d'fcXl Wlg

FOJ' BSA9		4Q3 9 Bc: 2024P	89G7F-DH-CB	HE YFLUWg Zcf Vfc_Yb YX'Yg UbX UbE] 'UF' X]arbgj cbg . :>G 66(S) a		69G= B9B	8F5KB	7-9779B	50DFCJ9B	G7569	ACB9@ BSA9	DFFH BSA9
				Deflag v xj]l]cbg	HE YFLUWg WU]g	AGM-5P				% %	SHKI H &S&U	SHKI H &S&U 5GGM
				cl Mag Wg]er f]dE' d]m	2]cb	2]cb						D7 7039
				cl Y' f]d h'c' 5	1 5' 5"	1 5' 5"						
				cl Y' f]d h'c' 5	1 5' 5"	1 5' 5"						
				cl Y' f]d h'c' 5	1 5' 5"	1 5' 5"						
				cl Y' f]d h'c' 5	1 5' 5"	1 5' 5"						
				cl Y' f]d h'c' 5	1 5' 5"	1 5' 5"						
				cl Y' f]d h'c' 5	1 5' 5"	1 5' 5"						