

TIMCO ENGINEERING INC.

849 NW State Road 45
Newberry, Florida 32669
<http://www.timcoengr.com>
888.472.2424 F 352.472.2030 email: tei@timcoengr.com

A2LA ACCREDITED
A2LA CERT # 0955-01

APPLICANT: AUDIO TECHNICA CORPORATION
FCC ID: JFZT1801D

TABLE OF CONTENTS LIST

TEST REPORT CONTAINING:

PAGE 1-2.....GENERAL INFORMATION
PAGE 3.....RF POWER
PAGE 4-5.....MODULATION CHARACTERISTICS
PAGE 6-7.....OCCUPIED BANDWIDTH
PAGE 8-10.....RADIATED EMISSIONS TEST DATA & TEST PROCEDURE
PAGE 11.....FREQUENCY STABILITY TEST DATA
PAGE 12-13.....EQUIPMENT LIST

EXHIBITS CONTAINING:

CONFIDENTIALITY REQUEST LETTER
FCC ID LABEL SAMPLE & ID LABEL LOCATION
BLOCK DIAGRAM
SCHEMATICS
TUNING PROCEDURE
CIRCUIT DESCRIPTION
USER'S MANUAL
EXTERNAL PHOTOGRAPHS
INTERNAL PHOTOGRAPHS
TEST SET UP PHOTOGRAPH
PARTS LIST

APPLICANT: AUDIO TECHNICA CORPORATION
FCCID: JFZT1801D
REPORT #: A\AudioTechnica_JFZ\2402UT6\2402UT6TestReport.doc

TABLE OF CONTENTS

GENERAL INFORMATION REQUIRED
FOR TYPE ACCEPTANCE

- 2.1033(c)(1) AUDIO TECHNICA CORPORATION will manufacture the JFZT1801D in quantity, for use under FCC RULES
2.1033(c)(2) RULES PART 74.801, LOW POWER AUXILIARY STATIONS.

AUDIO TECHNICA CORPORATION
2206 NARUSE, MACHIDA
TOKYO, 194
JAPAN

2.1033 TECHNICAL DESCRIPTION

(c)(3) Instruction book. The instruction manual is included in the exhibits.

(c)(4) Type of Emission: 130K0F3E

$B_n = 2M + 2DK$
 $M = 20000$
 $D = 45\text{kHz (Peak Deviation)}$
 $K = 1$
 $B_n = 2(20k) + 2(45k)(1) = 130k$

ALLOWED AUTHORIZED BANDWIDTH = 200kHz.
74.861(e)(5)

(c)(5) Frequency Range: Part 74: 655.500 - 680.375 MHz
TEST FREQ = 655.50 MHz, 688.00MHz, and 680.375 MHz

(c)(6) Power Range and Controls: UNIT has no controls.

(c)(7) Maximum Output Power Rating: .030 Watts ERP

(c)(8) DC Voltages and Current into Final Amplifier:

FINAL AMPLIFIER ONLY
INPUT POWER - $(3.0V)(0.15A) = 0.45 \text{ Watts}$

(c)(9) Tune-up procedure. The tune-up procedure is included.

TIMCO ENGINEERING INC.

849 NW State Road 45
Newberry, Florida 32669
<http://www.timcoengr.com>
888.472.2424 F 352.472.2030 email: tei@timcoengr.com

A2LA ACCREDITED

A2LA CERT # 0955-01

- 2.1033 (c)(10) Complete Circuit Diagrams and Block Diagrams are included in the exhibits.
- 2.1033 (c)(11) Photo or Drawing of Label and sketch of location are included in the exhibits.
- 2.1033 (c)(12) Photos of Equipment are included in the exhibits.
- (c)(13) The circuit description is included in the exhibits.
- 2.1033 (c)(14) The data required by 2.1046 through 2.1057 is submitted below.

APPLICANT: AUDIO TECHNICA CORPORATION

FCCID: JFZT1801D

REPORT #: A\AudioTechnica_JFZ\2402UT6\2402UT6TestReport.doc

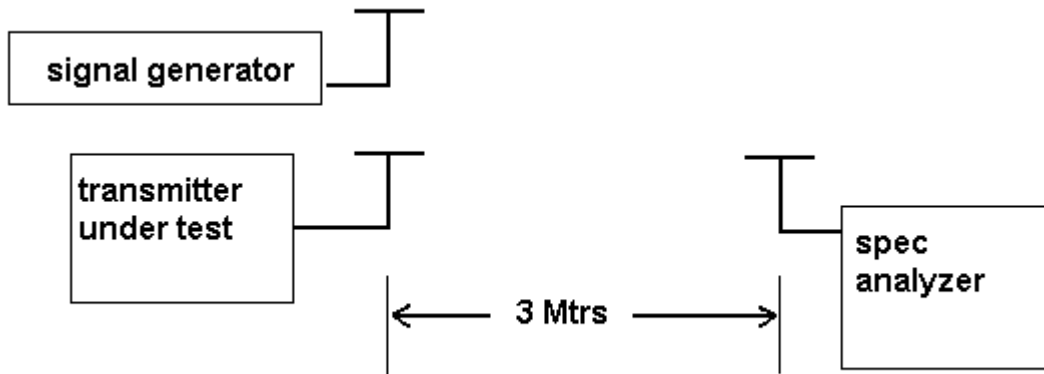
2.1046

RF power output.

RF power measured is:

HIGH: 0.030 WATTS ERP
LOW: 0.015 WATTS ERP

For a device with a fixed antenna, RF power is measured as ERP as the antenna is permanently attached. The substitution method was used as described in TIA-603-C.



METHOD OF MEASUREMENT: The tabulated data shows the results of the radiated field strength emissions test. The spectrum was scanned from 30 MHz to at least the tenth harmonic of the fundamental. This test was conducted per TIA/EIA STANDARD 603 using the substitution method. Measurements were made at the test site of TIMCO ENGINEERING, INC. located at 849 NW State Road 45, Newberry, FL 32669.

2.1047(a)(b) Modulation characteristics:

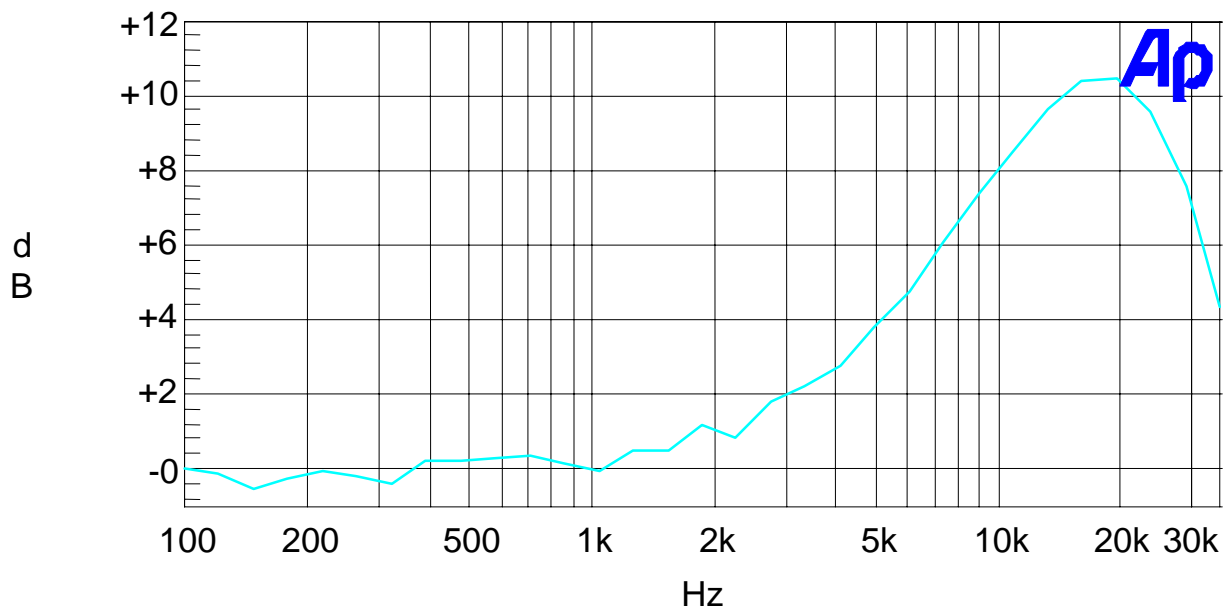
AUDIO FREQUENCY RESPONSE

The audio frequency response was measured in accordance with TIA/EIA Specification 603. The audio frequency response curve is shown on the next page.

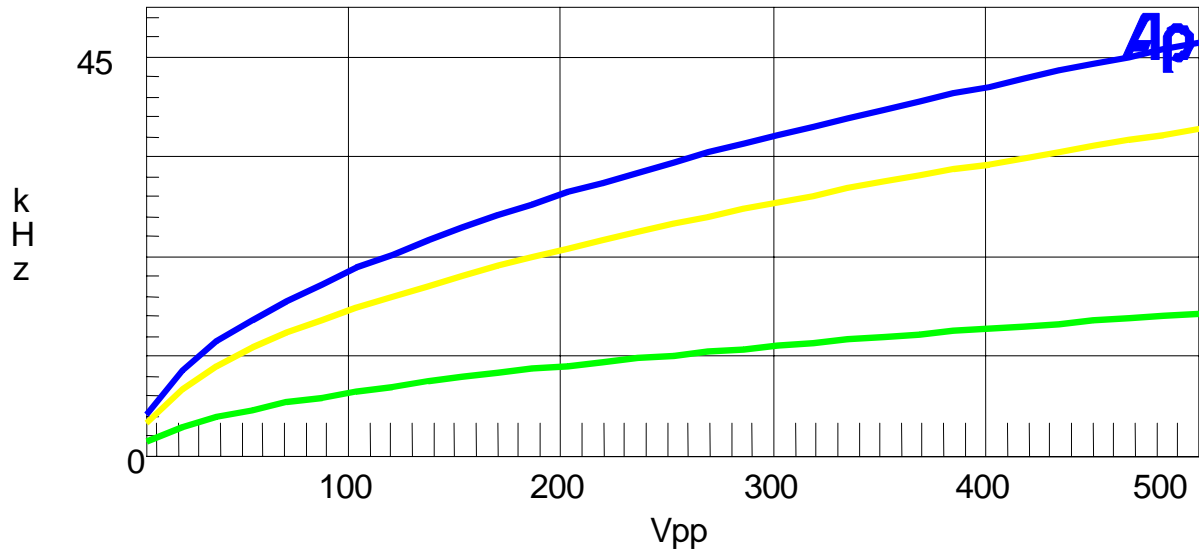
AUDIO LOW PASS FILTER

The audio low pass filter is not required in this unit.

Audio Frequency Response Plot



Modulation Limiting Plots: 15 KHz (Green), 3.0 KHz (Blue), and 300 Hz (Yellow)

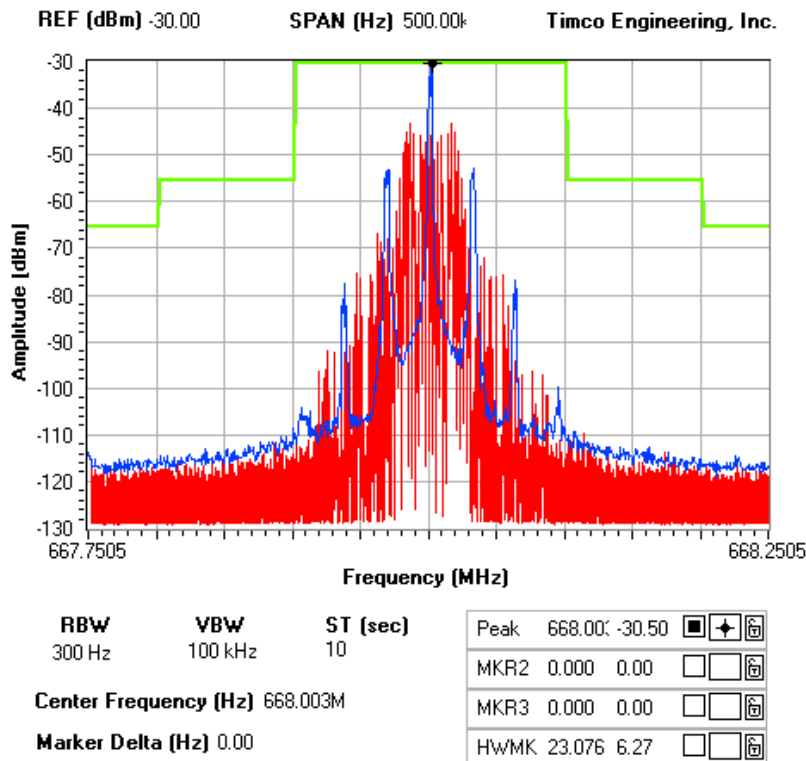


2.1049(c) Occupied Bandwidth:

Data in the plots show that all sidebands between 50 & 100% for the authorized bandwidth are attenuated by at least 25dB. From 100 to 250% of the authorized bandwidth they are attenuated by at least 35dB and beyond 250% $43 \log(P_o)$ dB. The plot shows the transmitter modulated with 15000 Hz (the highest modulation frequency), adjusted for 50% modulation plus 16 dB. The spectrum analyzer was set with the unmodulated carrier at the top of the screen. The test procedure diagram and occupied bandwidth plot follows.

NOTES:

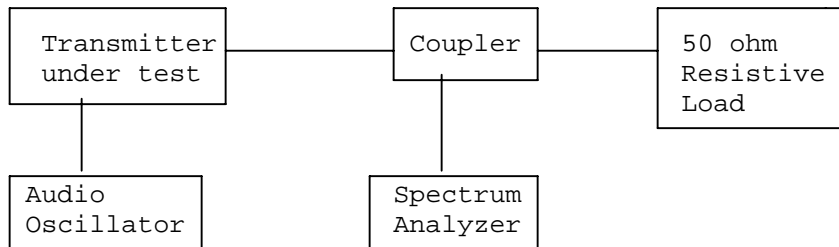
AUDIO TECHNICA CORPORATION - FCC ID: JFZT1801D
 OCCUPIED BANDWIDTH PLOT



Wireless Microphone transmitter:

Test procedure diagram

OCCUPIED BANDWIDTH MEASUREMENT



REQUIREMENT: PART 74: 200kHz EMISSION BANDWIDTH.

TIMCO ENGINEERING INC.

849 NW State Road 45
Newberry, Florida 32669
<http://www.timcoengr.com>
888.472.2424 F 352.472.2030 email: tei@timcoengr.com

A2LA ACCREDITED
A2LA CERT # 0955-01

2.1051 Spurious emissions at antenna terminals (conducted):
Not Applicable no antenna connector.

2.1053(a)(b) Field strength of Spurious Emissions:

NAME OF TEST: RADIATED SPURIOUS EMISSIONS

REQUIREMENTS: Emissions must be 43 +10log(Po) dB below the
mean power output of the transmitter.

$$43 + 10 \log(0.030) = 27.70\text{dB (High power)}$$
$$43 + 10 \log(0.015) = 24.70\text{dB (Low power)}$$

TEST DATA:

High power:

Emission Frequency MHz	Ant. Polarity	dB Below Carrier (dBc)
655.50	v	0.00
1311.00	v	49.99
1966.50	v	55.77
2622.00	v	55.96
3277.50	v	59.35
3933.00	v	42.99
4588.50	v	41.40
5244.00	v	61.46
5899.50	v	61.15
6555.00	v	62.08

Emission Frequency MHz	Ant. Polarity	dB Below Carrier (dBc)
668.00	v	0.00
1336.00	v	45.95
2004.00	v	59.29
2672.00	v	54.18
3340.00	v	57.96
4008.00	v	43.73
4676.00	v	45.57
5344.00	v	62.49
6012.00	v	54.88
6680.00	v	61.00

Emission Frequency MHz	Ant. Polarity	dB Below Carrier (dBc)
680.38	v	0.00
1360.75	v	52.55
2041.13	v	60.69
2721.50	v	62.85
3401.88	v	53.02
4082.25	v	43.55
4762.63	v	49.78
5443.00	v	64.46
6123.38	v	55.94
6803.75	v	75.56

APPLICANT: AUDIO TECHNICA CORPORATION

FCCID: JFZT1801D

REPORT #: A\AudioTechnica_JFZ\2402UT6\2402UT6TestReport.doc

TIMCO ENGINEERING INC.

849 NW State Road 45
 Newberry, Florida 32669
<http://www.timcoengr.com>
 888.472.2424 F 352.472.2030 email: tei@timcoengr.com

A2LA ACCREDITED
 A2LA CERT # 0955-01

Low power:

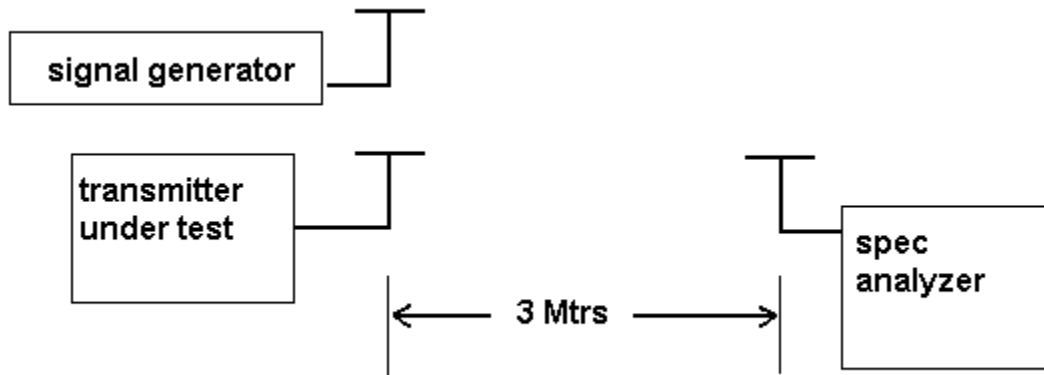
Emission Frequency MHz	Ant. Polarity	dB Below Carrier (dBc)
655.50	v	0
1311.00	v	51.15
1966.50	v	55.09
2622.00	v	59.18
3277.50	v	58.46
3933.00	v	44.53
4588.50	v	41.77
5244.00	v	61.69
5899.50	v	54.68
6555.00	v	63.00

Emission Frequency MHz	Ant. Polarity	dB Below Carrier (dBc)
668.00	v	0
1336.00	v	46.15
2004.00	v	59.69
2672.00	v	52.98
3340.00	v	54.96
4008.00	v	42.33
4676.00	v	49.27
5344.00	v	63.59
6012.00	v	50.78
6680.00	v	60.80

Emission Frequency MHz	Ant. Polarity	dB Below Carrier (dBc)
680.38	v	0
1360.75	v	51.25
2041.13	v	59.99
2721.50	v	58.95
3401.88	v	51.92
4082.25	v	43.25
4762.63	v	53.58
5443.00	v	62.56
6123.38	v	54.84
6803.75	v	62.66

METHOD OF MEASUREMENTS: The tabulated data shows the results of the radiated field strength emissions test. The spectrum was scanned from 30 MHz to at least the tenth harmonic of the fundamental. This test was conducted per TIA/EIA STANDARD 603 using the substitution method. Measurements were made at the open field test site of TIMCO ENGINEERING, INC. located at 849 NW State Road 45, Newberry, FL 32669.

Method of Measuring Radiated Spurious Emissions



TIMCO ENGINEERING INC.

849 NW State Road 45
Newberry, Florida 32669
<http://www.timcoengr.com>
888.472.2424 F 352.472.2030 email: tei@timcoengr.com

A2LA ACCREDITED
A2LA CERT # 0955-01

2.1055 Frequency stability:
S74.861(e)(4)

Temperature and voltage tests were performed to verify that the frequency remains within the .0050%, (50 ppm) (74.861 e.4) specification limit.

The test was conducted as follows: The transmitter was placed in the temperature chamber at 25 degrees C and allowed to stabilize for one hour. The transmitter was keyed ON for one minute during which four frequency readings were recorded at 15-second intervals. The worse case number was taken for temperature plotting. The assigned channel frequency was considered to be the reference frequency. The temperature was then reduced to -30 degrees C after which the transmitter was again allowed to stabilize for one hour. The transmitter was keyed ON for one minute, and again frequency readings were noted at 15-second intervals. The worst-case number was recorded for temperature plotting. This procedure was repeated in 10-degree increments up to + 50 degrees C.

MEASUREMENT DATA:

(Ref. Frequency): 668.000865

TEMPERATURE °C	FREQUENCY MHz	PPM
-30°C	667.992554	-12.44
-20°C	667.998452	-3.61
-10°C	668.000809	-0.08
-0°C	668.001962	1.64
10°C	668.002164	1.94
20°C	668.001005	0.21
30°C	667.999996	-1.30
40°C	668.000090	-1.16
50°C	668.005330	6.68

END BATT. Volt(2.55)= 2.55VDC 668.001072 + 0.31 ppm

RESULTS OF MEASUREMENTS: The maximum frequency variation over the temperature range was -12.44 to +6.68 ppm. The maximum frequency variation over the voltage range was +0.31 ppm.

APPLICANT: AUDIO TECHNICA CORPORATION
FCCID: JFZT1801D
REPORT #: A\AudioTechnica_JFZ\2402UT6\2402UT6TestReport.doc

TIMCO ENGINEERING INC.

849 NW State Road 45
Newberry, Florida 32669
http://www.timcoengr.com
888.472.2424 F 352.472.2030 email: tei@timcoengr.com

A2LA ACCREDITED
A2LA CERT # 0955-01

EMC Equipment List

Device	Manufacturer	Model	Serial Number	Cal/Char Date Listed	Due Date
3/10-Meter OATS	TEI	N/A	N/A	3/27/04	3/26/07
3-Meter OATS Analyzer Blue	TEI	N/A	N/A	Listed 1/11/06	1/10/09
Tower Quasi-Peak Adapter Analyzer Blue	HP	85650A	2811A01279	CAL 4/13/05	4/13/07
Tower RF Preselector Analyzer Blue	HP	85685A	2926A00983	CAL 9/5/05	9/5/07
Tower Spectrum Analyzer	HP	8568B	2928A04729 2848A18049	CAL 4/13/05	4/13/07
Coaxial Cable #64	Semflex Inc.	60637	Timco #64	CHAR 11/28/05	11/28/07
Antenna: Dipole Kit	Electro-Metrics	TDA-30/1-4	152	CAL 3/3/06	3/3/09
Frequency Counter	HP	5385A	2730A03025	CAL 4/15/05	4/15/07
Hygro-Thermometer	Extech	445703	0602	CAL 8/1/05	8/1/07
Measuring Tape-7.5M	Kraftixx	7.5M PROFI		CHAR 12/16/05	12/16/07
Modulation Analyzer	HP	8901A	3435A06868	CAL 11/4/04	11/4/06
Digital Multimeter	Fluke	FLUKE-77-3	79510405	CAL 4/15/05	4/15/07
Analyzer Open-Frame Tower Preamplifier	HP	8449B	3008A01075	CAL 8/8/05	8/8/07
Analyzer Silver Tower Quasi-Peak Adapter	HP	85650A	3303A01844	CAL 12/8/04	12/8/06
Analyzer Silver Tower RF Preselector	HP	85685A	2620A00294	CAL 4/27/04	12/8/06
Analyzer Silver Tower Spectrum Analyzer	HP	8566B Opt 462	3552A22064 3638A08608	CAL 12/8/04	12/8/06
System One Analyzer Tan Tower Preamplifier	Audio Precision	System One	SYS1-45868	CHAR 3/27/06	3/27/08
Analyzer Tan Tower Preamplifier	HP	8449B-H02	3008A00372	CAL 12/8/05	12/8/07
Analyzer Tan	HP	85650A	3303A01690	CAL 12/8/05	12/8/07

APPLICANT: AUDIO TECHNICA CORPORATION

FCCID: JFZT1801D

REPORT #: A\AudioTechnica_JFZ\2402UT6\2402UT6TestReport.doc

TIMCO ENGINEERING INC.

849 NW State Road 45
Newberry, Florida 32669
<http://www.timcoengr.com>
888.472.2424 F 352.472.2030 email: tei@timcoengr.com

A2LA ACCREDITED
A2LA CERT # 0955-01

Tower Quasi- Peak Adapter Analyzer Tan Tower RF Preselector Analyzer Tan Tower Spectrum Analyzer Temperature Chamber	HP HP Tenney Engineering	85685A 8566B Opt 462 TTRC	3221A01400 3138A07786 3144A20661 11717-7	CAL 12/7/05 CAL 12/7/05 CHAR 3/23/06	12/7/07 12/7/07 3/23/08
---	--	--	---	---	--

APPLICANT: AUDIO TECHNICA CORPORATION

FCCID: JFZT1801D

REPORT #: A\AudioTechnica_JFZ\2402UT6\2402UT6TestReport.doc