

1 2 3 4


A

B




C




D

E

DESK STAND TRANSMITTER
 MODEL: ATW-T1407
 INPUT: 5V  0.5A

FCC ID: JFZT1407
 IC: 1752B-T1407
 ANATEL: *****_**_****

 Energy Verified
 CCA*****
 007-AM0181

MADE IN MALAYSIA
 Audio-Technica Corporation

60 25 4-R2

NOTE. 注記

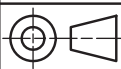


- There shall be no deep warp transformation.
汚れ反り、歪み、変形等のない事。
- Be based upon a AUDIO-TECHNICA GROUP product environment quality standard.
オーディオテクニカグループ製品環境品質基準に準拠する事。
- The parts is printed on LINTEC FNS MATT S50 PAT1 11BL and PET(N)25(A)NPL 8LK2.The materials may be the same.
この部品は LINTEC 製 FNS MATT S50 PAT1 11BL に黒印刷後、PET(N)25(A)NPL 8LK2 でコーティングを行う事。材料は同等でもよい。
- Deliver in the state stuck to released paper.
剥離紙に複数個貼り付けた状態で納入の事。
- Material Declaration sheets and data of measurement shall be submit with approval samples.
承認サンプルを提出する時に、禁止物質含有証明書と測定データを同時に提出する事。

FCC ID character height: 1.455mm

Resistance to label peeling
 No peeling in temperature environment test
 Adhesive: Permanent adhesive type

Label Character Durability
 Laminated (PET film 25 μm)

					Permissible deviations of basic size range(mm)	Tolerance class			MATERIAL
						fine	medium	coarse	NOTE 4
					0.5 up to 6	±0.05	±0.1	±0.2	FINISH
					over 6 up to 30	±0.1	±0.2	±0.5	BACK SIDE PASTE
					over 30 up to 120	±0.15	±0.3	±0.8	SIZE OF MATERIAL
					over 120 up to 400	±0.2	±0.5	±1.2	SUMMARY
					over 400 up to 1000	±0.3	±0.8	±2	
IMAMURA	231113	Release the first edition.							
REV.	NAME	ISSUE No. /DATE	DESCRIPTION						

DESIGNED	DRAWN	CHECKED	APPROVED	SCALE	MODEL NAME	PART NAME
				2:1	ATW-T1407	MODEL-LABEL-T1407
						P.CODE
						2344-13450 

1

2

3

4

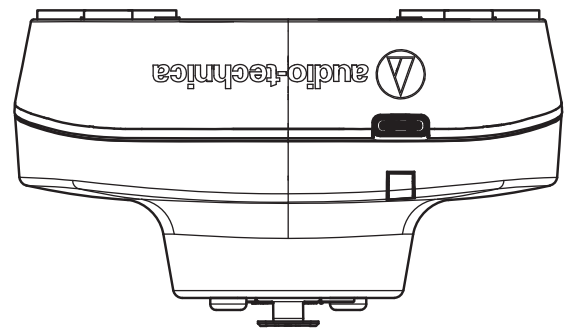
5

6

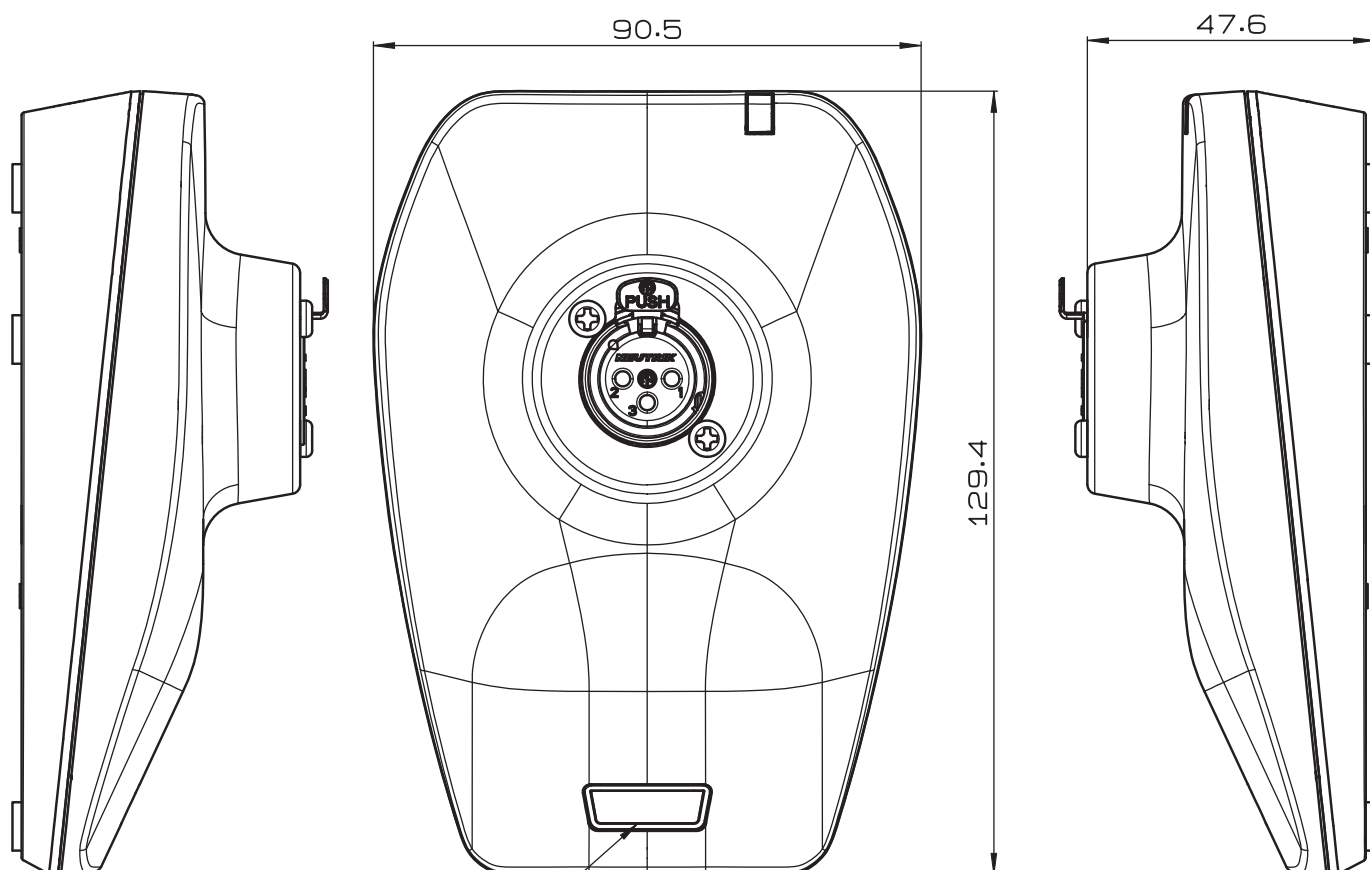
7

8

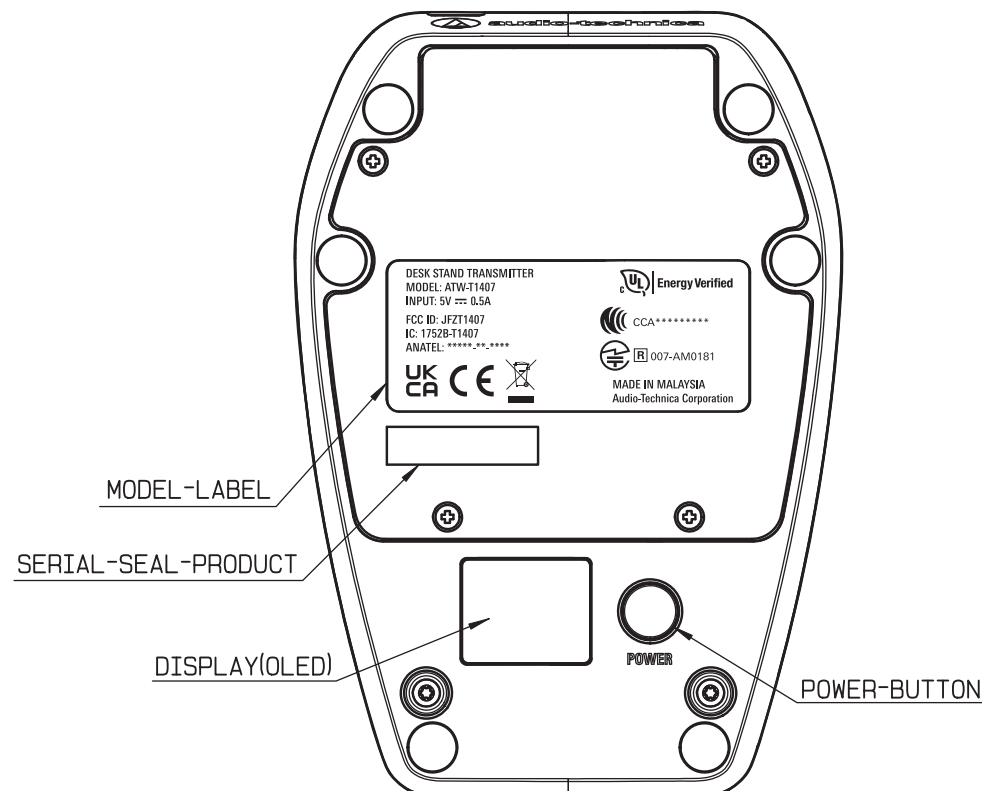
A



B

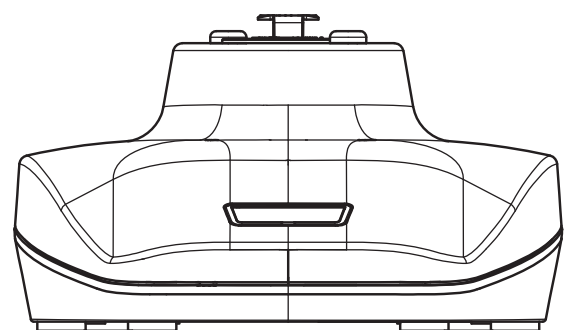


C



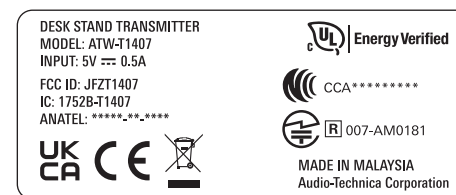
D

TOUCH SENSOR



E

MODEL-LABEL



REV.	NAME	DATE	DESCRIPTIONS	DIMENSIONAL TOLERANCE ±mm	TOLERANCE			MATERIAL	DESIGN	DRAFT	CHECKED	APPROVED	SCALE	MODEL NAME	TITLE
					OVER	BELOW	(fine)								
					0	6	0.05	0.1	0.2				NONE	ATW-T1407	ATW-T1407-OUTLINE
					6	30	0.1	0.2	0.5						
					30	120	0.15	0.3	0.8				THIRD ANGLE PROJECTION	audio-technica	P.CODE
					120	315	0.2	0.5	1.2						2313-13730
					315	1000	0.3	0.8	2				Confidential		

Forbid to measure the drawing.

FEQ1GDY-ES0424a