

1

2

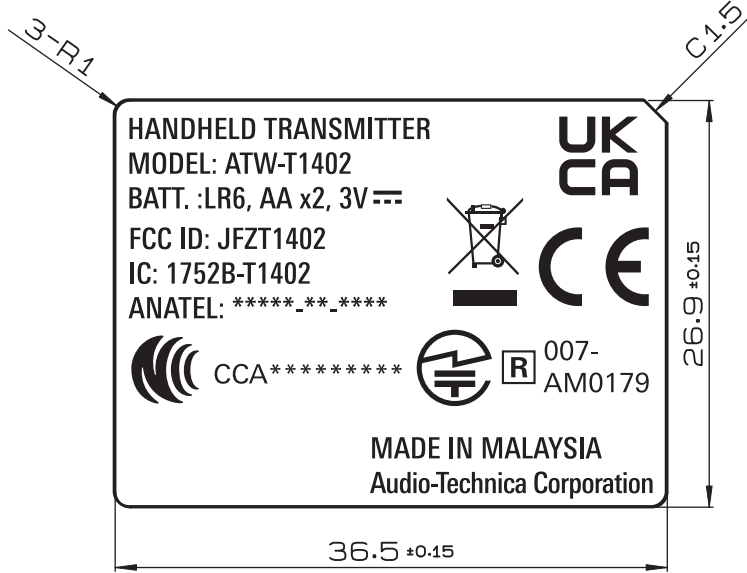
3

4

A

B

C



NOTE. 注記

- 1. There shall be no deep, warp, Transformation.
汚れ, 反り, 歪み, 変形等のない事。
- 2. Be based upon a AUDIO-TECHNICA GROUP product environment quality standard.
オーディオテクニカグループ製品環境品質基準に準拠する事。
- 3. The parts is printed on LINTEC FNS MATT S50 PAT1 11BL and PET(N)25(A)NPL 8LK2. The materials may be the same.
この部品は LINTEC 製 FNS MATT S50 PAT1 11BL に黒印刷後, PET(N)25(A)NPL 8LK2 でコーティングを行う事。材料は同等でもよい。
- 4. Deliver in the state stuck to released paper.
剥離紙に複数個貼り付けた状態で納入の事。
- 5. Material Declaration sheets and data of measurement shall be submit with approval samples.
承認サンプルを提出する時に、禁止物質非含有証明書と測定データを同時に提出する事。

FCC ID character height: 1.455mm

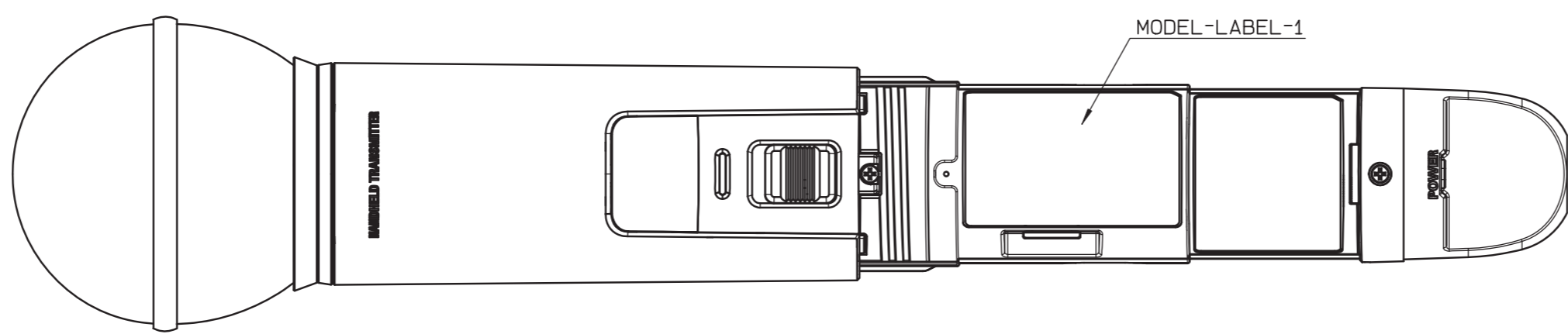
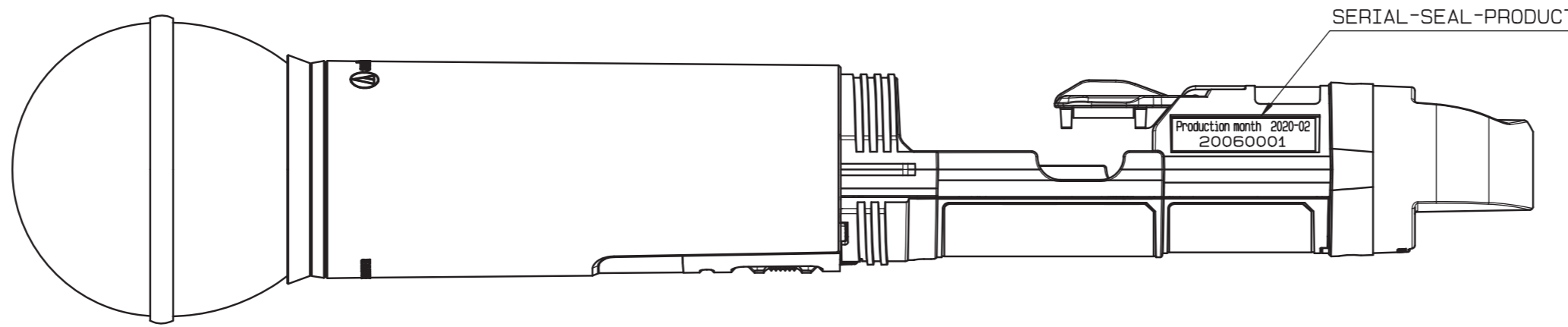
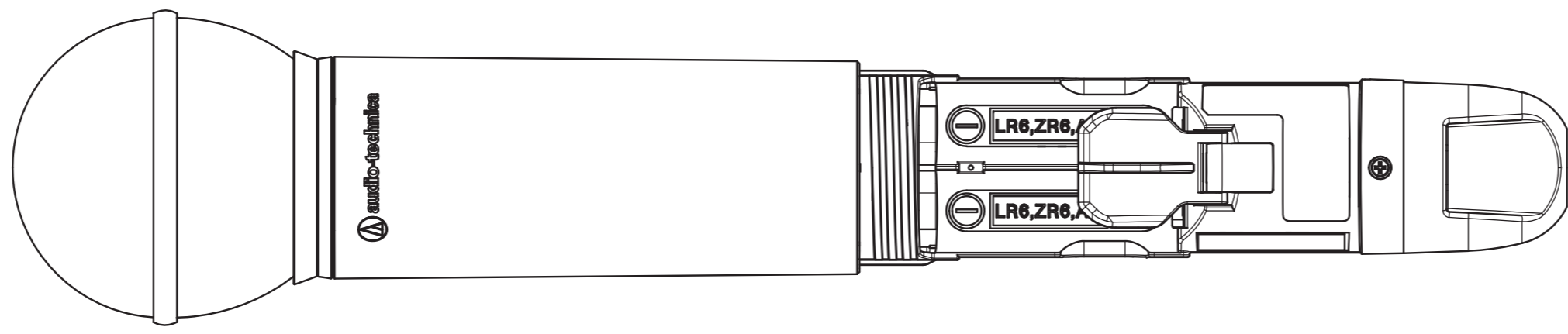
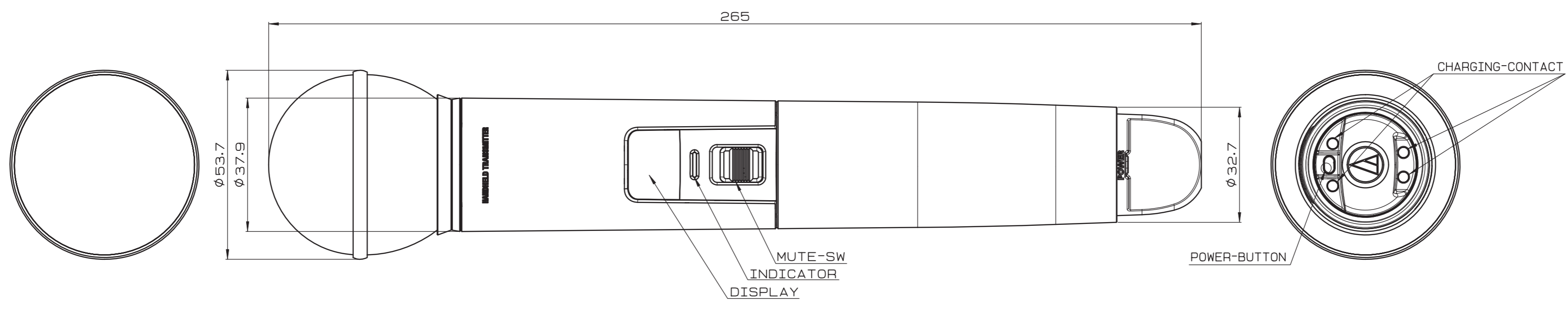
Resistance to label peeling
No peeling in temperature environment test

Adhesive: Permanent adhesive type

Label Character Durability
Laminated (PET film 25 μ m)

				DIMENSIONAL TOLERANCE ±mm					MATERIAL
				OVER	BELOW	(fine)	(medium)	(coarse)	NOTE 4
				0	6	0.05	0.1	0.2	TREATMENT
				6	30	0.1	0.2	0.5	BACK SIDE PASTE
				30	120	0.15	0.3	0.8	MATERIAL
				120	315	0.2	0.5	1.2	SIZE
				315	1000	0.3	0.8	2	SUMMARY
IMAMURA	231113	Release the first edition.							
REV.	NAME	DATE	DESCRIPTIONS						

DESIGN	DRAFT	CHECKED	APPROVED	SCALE	MODEL NAME	TITLE
				2/1	ATW-T1402	MODEL-LABEL-1-T1402
				THIRD ANGLE PROJECTION	audio-technica	P. CODE
				Confidential		2344-13400



MODEL-LABEL-1

HANDHELD TRANSMITTER
 MODEL: ATW-T1402
 BATT.: LR6 AA 2, 3V
 FCC ID: JFZT1402
 IC: 1752B-T1402
 ANATEL: *****
 CCA*****
 007-AM0179
 MADE IN MALAYSIA
 Audio-Technica Corporation

				Permissible deviations of basic size range(mm)	Tolerance class	FINISH	DESIGNED	DRAWN	CHECKED	APPROVED	SCALE	MODEL NAME	PART NAME
				0.5 up to 6	fine medium coarse						NONE	ATW-T1402	ATW-T1402-OUTLINE
				over 6 up to 30	±0.05 ±0.1 ±0.2								P.CODE
				over 30 up to 120	±0.1 ±0.2 ±0.5	SIZE OF MATERIAL							
				over 120 up to 400	±0.15 ±0.3 ±0.8	SUMMARY							
				over 400 up to 1000	±0.2 ±0.5 ±1.2								
				over 1000 up to 10000	±0.3 ±0.8 ≥2								
REV.	NAME	ISSUE No /DATE	DESCRIPTION										
	IMAMURA	231113	Release the first edition.										

Confidential

FEQ1GDY-ES0423b