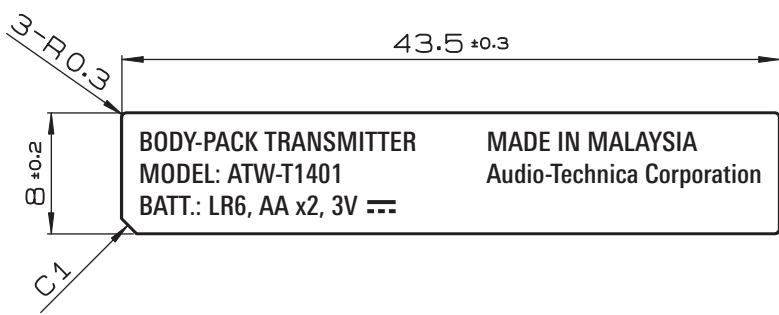


A



B

C

Resistance to label peeling
 No peeling in temperature environment test
 Adhesive: Permanent adhesive type

Label Character Durability
 Laminated (PET film 25µm)

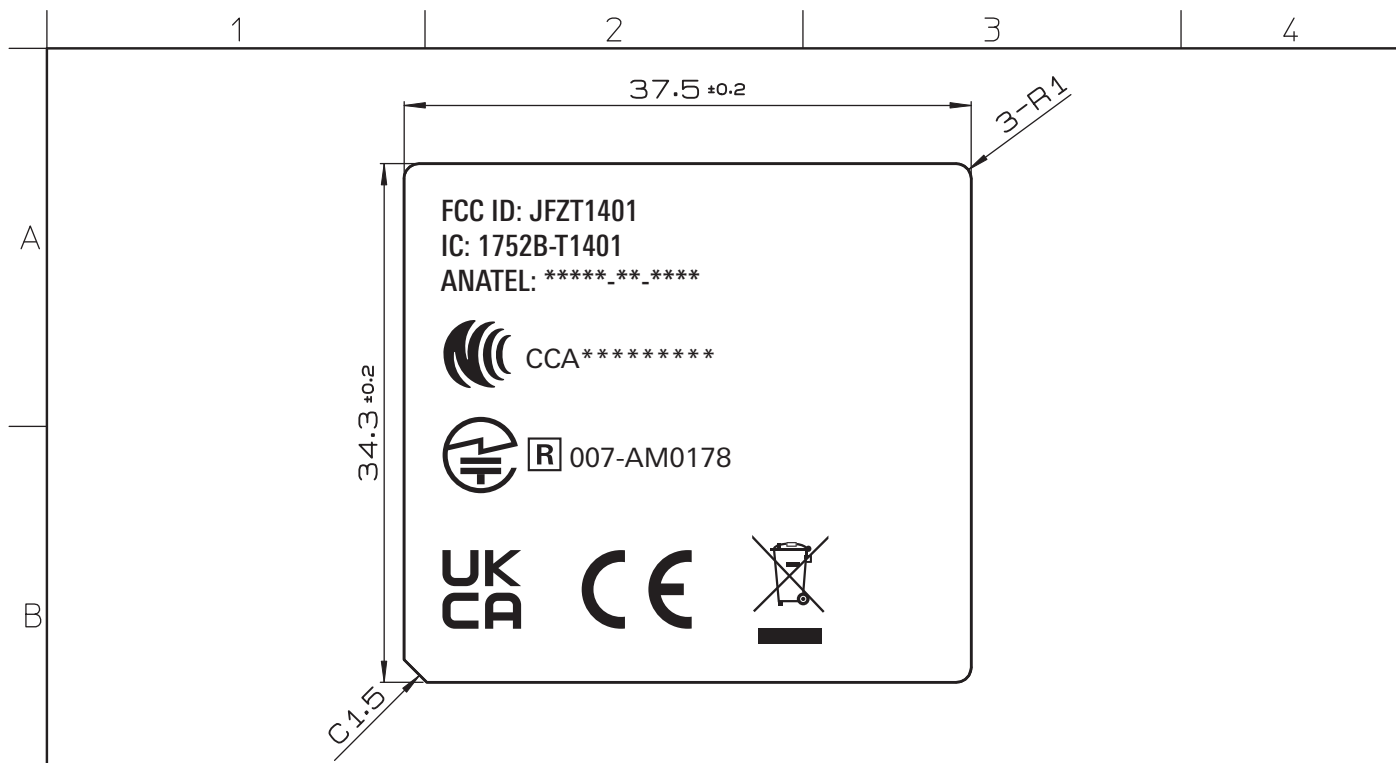
D

- NOTE. 注記
- There shall be no deep, warp, Transformation.
汚れ, 反り, 歪み, 変形等のない事。
 - Be based upon a AUDIO-TECHNICA GROUP product environment quality standard.
ATグループ製品環境品質基準に適合すること。
 - The parts is printed on LINETEC FNS MATT S50 PAT1 11BL and PET(N)25(A)NPL 8LK2. The materials may be the same.
この部品はLINETEC製FNS MATT S50 PAT1 11BLに黒印刷後、PET(N)25(A)NPL 8LK2でコーティングを行う事。材料は同等でもよい。
 - Deliver in the state stuck to released paper.
剥離紙に複数個貼りつけた状態で納入の事。
 - Material Declaration sheets and data of measurement shall be submit with approval samples.
承認サンプルを提出する時に、禁止物質非含有証明書と測定データを同時に提出する事。

Tolerances for broken edges and angular dimensions: JIS B 0405-m

				Permissible deviations of basic size range(mm)	Tolerance class			MATERIAL	
					fine	medium	coarse	Note 4	
				0.5 up to 6	±0.05	±0.1	±0.2	FINISH	
				over 6 up to 30	±0.1	±0.2	±0.5	Note 4	
				over 30 up to 120	±0.15	±0.3	±0.8	SIZE OF MATERIAL	
				over 120 up to 400	±0.2	±0.5	±1.2	SUMMARY	
				over 400 up to 1000	±0.3	±0.8	±2		
	K.MAEDA	230531	Release the first edition.						
REV.	NAME	ISSUE No. /DATE	DESCRIPTION						

DESIGNED	DRAWN	CHECKED	APPROVED	SCALE	MODEL NAME	PART NAME
				2:1	ATW-T1401	MODEL-LABEL-1-T1401
						P.CODE
						2344-13470



FCC ID character height: 1.455mm

Resistance to label peeling
 No peeling in temperature environment test
 Adhesive: Permanent adhesive type

Label Character Durability
 Laminated (PET film 25µm)

NOTE. 注記

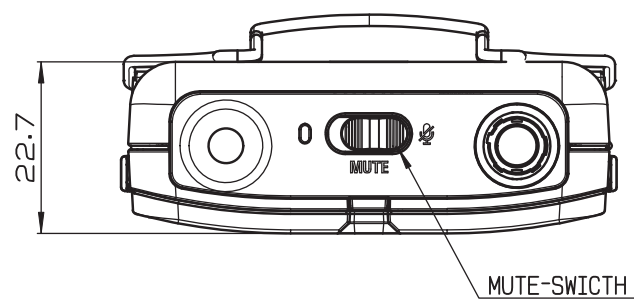
- There shall be no deep, warp, Transformation.
汚れ, 反り, 歪み, 変形等のない事。
- Be based upon a AUDIO-TECHNICA GROUP product environment quality standard.
ATグループ製品環境品質基準に適合すること。
- The parts is printed on LINETEC FNS MATT S50 PAT1 11BL and PET(N)25(A)NPL 8LK2. The materials may be the same.
この部品はLINTEC製FNS MATT S50 PAT1 11BL に黒印刷後、PET(N)25(A)NPL 8LK2でコーティングを行う事。材料は同等でもよい。
- Deliver in the state stuck to released paper.
剥離紙に複数個貼りつけた状態で納入の事。
- Material Declaration sheets and data of measurement shall be submit with approval samples.
承認サンプルを提出する時に、禁止物質非含有証明書と測定データを同時に提出する事。

Tolerances for broken edges and angular dimensions: JIS B 0405-m

				Permissible deviations of basic size range(mm)			Tolerance class			MATERIAL	
				fine	medium	coarse				Note 4	
				0.5 up to 6	±0.05	±0.1	±0.2	FINISH			Note 4
				over 6 up to 30	±0.1	±0.2	±0.5	SIZE OF MATERIAL			_____
				over 30 up to 120	±0.15	±0.3	±0.8	SUMMARY			_____
				over 120 up to 400	±0.2	±0.5	±1.2				_____
				over 400 up to 1000	±0.3	±0.8	±2				_____
REV.	NAME	ISSUE No. /DATE	DESCRIPTION								
	K.MAEDA	230531	Release the first edition.	DESIGNED	DRAWN	CHECKED	APPROVED	SCALE	MODEL NAME	PART NAME	
								2:1	ATW-T1401	MODEL-LABEL-2-T1401	
										P.CODE	
										2344-13480	

1 2 3 4 5 6 7 8

<DETAIL:SERIAL-SEAL-PRODUCT>



PRODUCTION MONTH
2024/2/12=2024-02

2D BARCODE
(DATA MATRIX)

Production month 2024-02
24070000001

PRODUCTION YEAR CODE:2 DIGIT
生産年:2桁 2024=24

PRODUCTION WEEK CODE:2 DIGIT
生産週:2桁 2024/2/12=7

SERIAL CODE:4 DIGIT

シリアルコード:4桁

製品ごとの番号管理は行わず、常に通し番号で生産する。
No number management for each product.
Always produce with serial numbers.

MODEL CODE:3 DIGIT
ATW-T1401:000

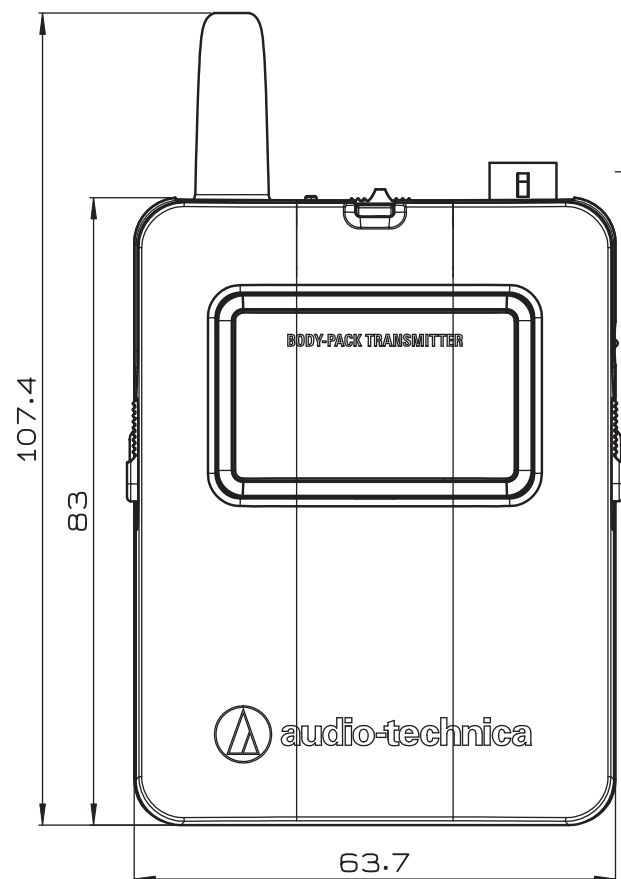
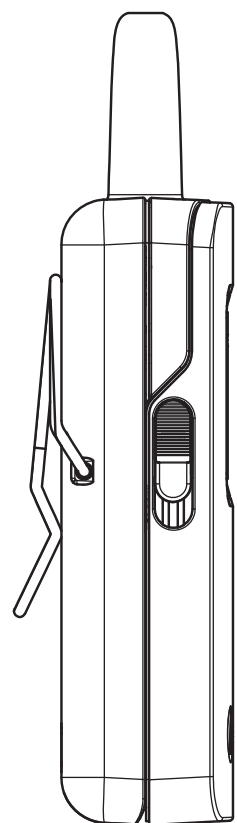
A

B

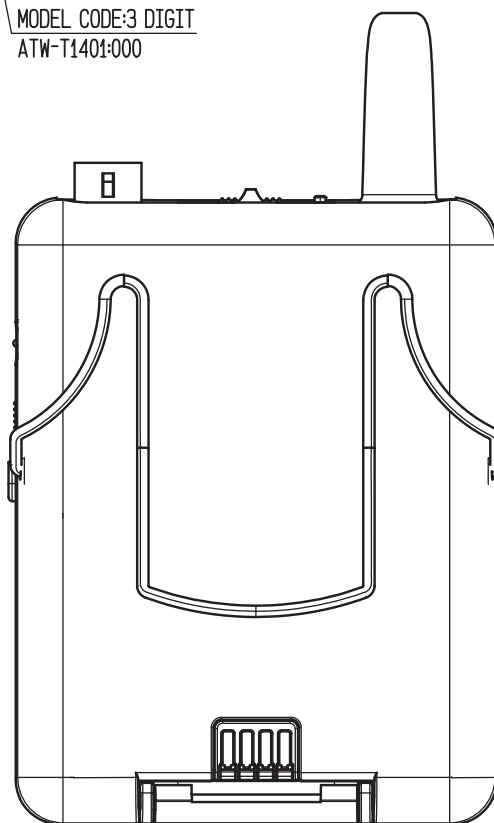
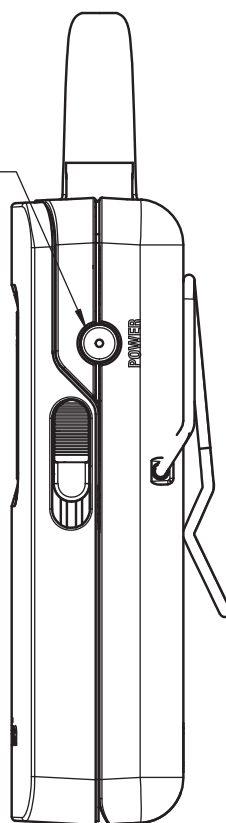
C

D

E

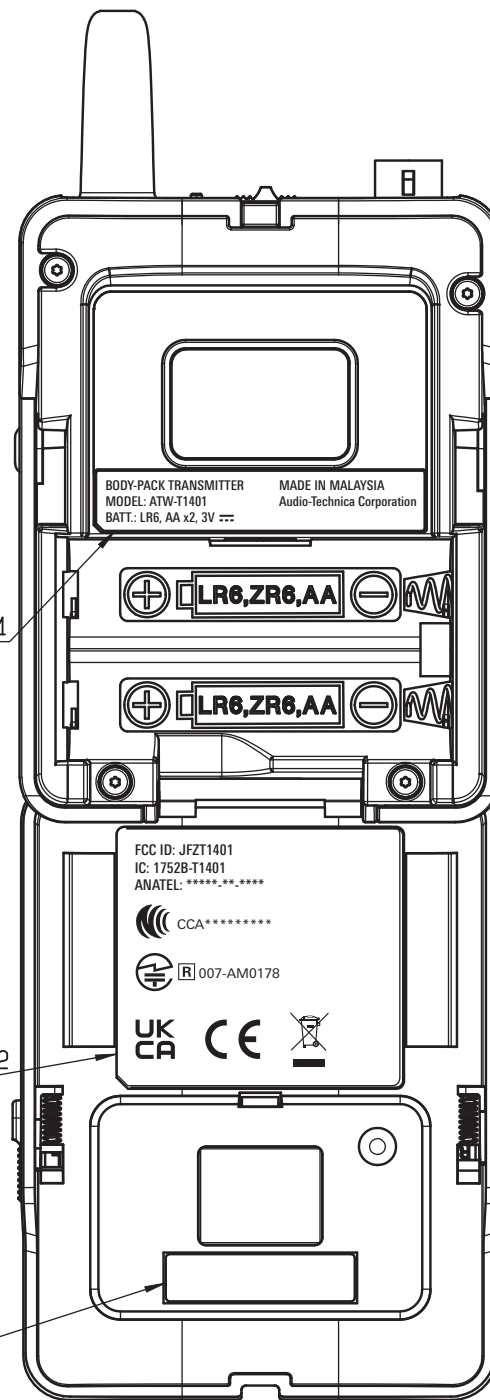


POWER-BUTTON

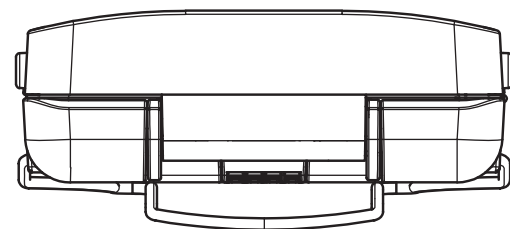


MODEL-LABEL-1

MODEL-LABEL-2



SERIAL-SEAL-PRODUCT



3517-00951	ATW-T1401W-OUTLINE	2344-13471/MODEL-LABEL-1-T1401W	2344-13481/MODEL-LABEL-2-T1401W
3517-00950	ATW-T1401-OUTLINE	2344-13470/MODEL-LABEL-1-T1401	2344-13480/MODEL-LABEL-2-T1401
MODEL P.CODE	MODEL NAME	MODEL-LABEL-1	MODEL-LABEL-2

Tolerances for broken edges and angular dimensions: JIS B 0405-m

REV.	NAME	ISSUE No. /DATE	DESCRIPTION	Permissible deviations of basic size range(mm)	Tolerance class			MATERIAL	DESIGNED	DRAWN	CHECKED	APPROVED	SCALE	MODEL NAME	PART NAME
					fine	medium	coarse								
				0.5 up to 6	±0.05	±0.1	±0.2	FINISH					NONE	ATW-T1401	ATW-T1401-OUTLINE
				over 6 up to 30	±0.1	±0.2	±0.5	SIZE OF MATERIAL							
				over 30 up to 120	±0.15	±0.3	±0.8	SUMMARY							
				over 120 up to 400	±0.2	±0.5	±1.2								
				over 400 up to 1000	±0.3	±0.8	±2								

Confidential

FEQ1GDY-ES0424D