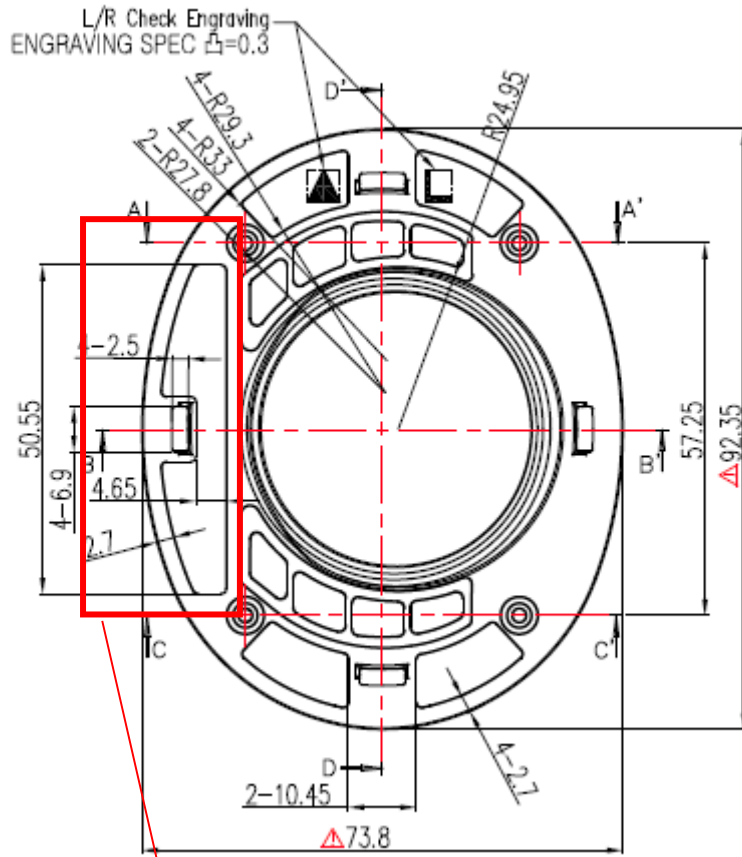


Label Information

Model Name	ATH-SR50BT, ATH-SR50BT BK, ATH-SR50BT BW, ATH-SR50BT BK(EX), ATH-SR50BT BW(EX), ATH-SR50BT BK(DF), ATH-SR50BT BW(DF)
FCC ID	JFZSR50BT
IC Number	1752B-SR50BT



Label

