



849 NW STATE ROAD 45
NEWBERRY, FL 32669 USA
PH: 888.472.2424 OR 352.472.5500
FAX: 352.472.2030
EMAIL: INFO@TIMCOENGR.COM
[HTTP://WWW.TIMCOENGR.COM](http://WWW.TIMCOENGR.COM)

**FCC PART 74
AND INDUSTRY CANADA RSS-123
LOW POWER LICENSED TRANSMITTER
TEST REPORT**

APPLICANT	AUDIO TECHNICA CORPORATION
	2206 NARUSE, MACHIDA TOKYO 194 JAPAN
FCC ID	JFZM3TL
IC CERT	1752B-ATWM3L
MODEL NUMBER	M3T
PRODUCT DESCRIPTION	IN EAR MONITOR SYSTEM- STEREO TRANSMITTER
DATE SAMPLE RECEIVED	8/6/2008
DATE TESTED	8/25/2008
TESTED BY	Joe Scoglio
APPROVED BY	Mario de Aranzeta
TIMCO REPORT NO.	1773AUT8TestReport.doc
TEST RESULTS	<input checked="" type="checkbox"/> PASS <input type="checkbox"/> FAIL

**THE ATTACHED REPORT SHALL NOT BE REPRODUCED EXCEPT IN FULL
WITHOUT THE WRITTEN APPROVAL OF TIMCO ENGINEERING, INC.**



Certificate # 0955-01



TABLE OF CONTENTS

GENERAL REMARKS.....	3
GENERAL INFORMATION	4
TEST PROCEDURES	6
RF POWER OUTPUT	7
MODULATION CHARACTERISTICS.....	8
VOICE MODULATED COMMUNICATION EQUIPMENT	9
OCCUPIED BANDWIDTH	11
FIELD STRENGTH OF SPURIOUS EMISSIONS.....	14
FREQUENCY STABILITY.....	15
EMC EQUIPMENT LIST	16

Applicant: AUDIO TECHNICA CORPORATION
FCC ID: JFZM3TL
IC #: 1752B-M3TL
MODEL #: M3T
REPORT: A\AudioTechnica_JFZ\1773AUT8\1773AUT8TestReport.doc

GENERAL REMARKS

The attached report shall not be reproduced except in full without the written permission of Timco Engineering Inc.

Summary

The device under test does:

- fulfill the general approval requirements as identified in this test report
- not fulfill the general approval requirements as identified in this test report

Attestations

This equipment has been tested in accordance with the standards identified in this test report. To the best of my knowledge and belief, these tests were performed using the measurement procedures described in this report.

All instrumentation and accessories used to test products for compliance to the indicated standards are calibrated regularly in accordance with ISO 17025 requirements.



Testing Certificate # 0955-01

I attest that the necessary measurements were made, under my supervision, at:

Timco Engineering Inc.
849 NW State Road 45
Newberry, Fl 32669



Authorized Signatory Name:

Mario de Aranzeta C.E.T.
Compliance Engineer/ Lab. Supervisor

Date: 9/4/2008

Applicant: AUDIO TECHNICA CORPORATION
FCC ID: JFZM3TL
IC #: 1752B-M3TL
MODEL #: M3T
REPORT: A\AudioTechnica_JFZ\1773AUT8\1773AUT8TestReport.doc



GENERAL INFORMATION

RULES PART 2.1033

DUT TECHNICAL DESCRIPTION

The test results relate only to the items tested.	
DUT Description	IN EAR MONITOR SYSTEM- STEREO TRANSMITTER
FCC ID	JFZM3TL
IC Certification	1752B-M3L
Model Number	M3TL
Modulation	FM
Type of Emission	150KOF3E Bn = 2M+2DK M = 15000 D = 60 kHz (Peak Deviation) K = 1 Bn = 2(15k) + 2(60k)(1) = 150k
Frequency Range	575 – 608 MHz
Test Frequencies	575, 591, 608 MHz
Maximum Output Power	0.031 W
DUT Power Source	<input checked="" type="checkbox"/> 110–120Vac/50– 60Hz
	<input type="checkbox"/> DC Power
	<input type="checkbox"/> Battery Operated Exclusively
Test Item	<input type="checkbox"/> Prototype
	<input checked="" type="checkbox"/> Pre-Production
	<input type="checkbox"/> Production
Type of Equipment	<input checked="" type="checkbox"/> Fixed
	<input type="checkbox"/> Mobile
	<input type="checkbox"/> Portable

Applicant: AUDIO TECHNICA CORPORATION
 FCC ID: JFZM3TL
 IC #: 1752B-M3TL
 MODEL #: M3T
 REPORT: A\AudioTechnica_JFZ\1773AUT8\1773AUT8TestReport.doc
 Page 4 of 16



GENERAL INFORMATION (cont'd)

Test Facility	Timco Engineering, Inc. 849 NW State Road 45, Newberry, FL 32669
Test Condition	The temperature was 26°C relative humidity of 50%.
Modifications	None
Test Exercise (e.g software description, test signal, etc.)	The DUT was placed in continuous transmit mode of operation.
Applicable Standards	ANSI/TIA 603-C:2004, FCC CFR 47 Parts 2 and 74, RSS-123 Issue 1, Rev. 2

Applicant: AUDIO TECHNICA CORPORATION
FCC ID: JFZM3TL
IC #: 1752B-M3TL
MODEL #: M3T
REPORT: A\AudioTechnica_JFZ\1773AUT8\1773AUT8TestReport.doc



TEST PROCEDURES

Power Line Conducted Interference: The procedure used was TIA 603 using a 50uH LISN. Both lines were observed with the DUT transmitting. The bandwidth of the spectrum analyzer was 10 kHz with an appropriate sweep speed.

Bandwidth 20 dB: The measurements were made with the spectrum analyzer's resolution bandwidth (RBW) = 1 MHz and the video bandwidth (VBW) = 3 MHz and the span set as shown on plot.

Power Output: For a device with a fixed antenna, RF power is measured as ERP as the antenna is permanently attached. The substitution method was used as described in ANSI/TIA-603-C:2004.

Antenna Conducted Emissions: The RBW = 100 kHz, VBW = 300 kHz and the span set to 10.0 MHz and the spectrum was scanned from 30 MHz to the 10th Harmonic of the fundamental. Above 1 GHz the resolution bandwidth was 1 MHz and the VBW = 3 MHz and the span to 50 MHz.

Radiation Interference: The test procedure used was ANSI/TIA 603-C:2004 using an Agilent spectrum receiver with pre-selector. The bandwidth (RBW) of the spectrum receiver was 100 kHz up to 1 GHz and 1 MHz above 1 GHz with an appropriate sweep speed. The VBW above 1 GHz was 3 MHz. The analyzer was calibrated in dB above a microvolt at the output of the antenna.

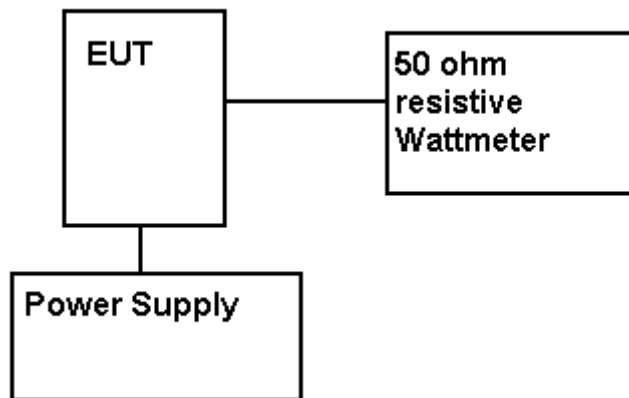
Applicant: AUDIO TECHNICA CORPORATION
FCC ID: JFZM3TL
IC #: 1752B-M3TL
MODEL #: M3T
REPORT: A\AudioTechnica_JFZ\1773AUT8\1773AUT8TestReport.doc

RF POWER OUTPUT

Rule Part No.: Part 2.1046(a), Part 74, RSS-123 Issue 1, Rev. 2

Method of Measurement: RF power is measured by connecting a 50-ohm, resistive wattmeter to the RF output connector. With a nominal battery voltage, and the transmitter properly adjusted the RF output measures:

Test Setup Diagram:



Test Data:

OUTPUT POWER: HIGH: 0.031 WATTS
LOW: 0.013 WATTS

Part 2.1033 (C)(8) DC Input into the final amplifier

INPUT POWER: $(12.0V)(0.263A) = 3.15$ Watts

Applicant: AUDIO TECHNICA CORPORATION
FCC ID: JFZM3TL
IC #: 1752B-M3TL
MODEL #: M3T
REPORT: A\AudioTechnica_JFZ\1773AUT8\1773AUT8TestReport.doc

MODULATION CHARACTERISTICS

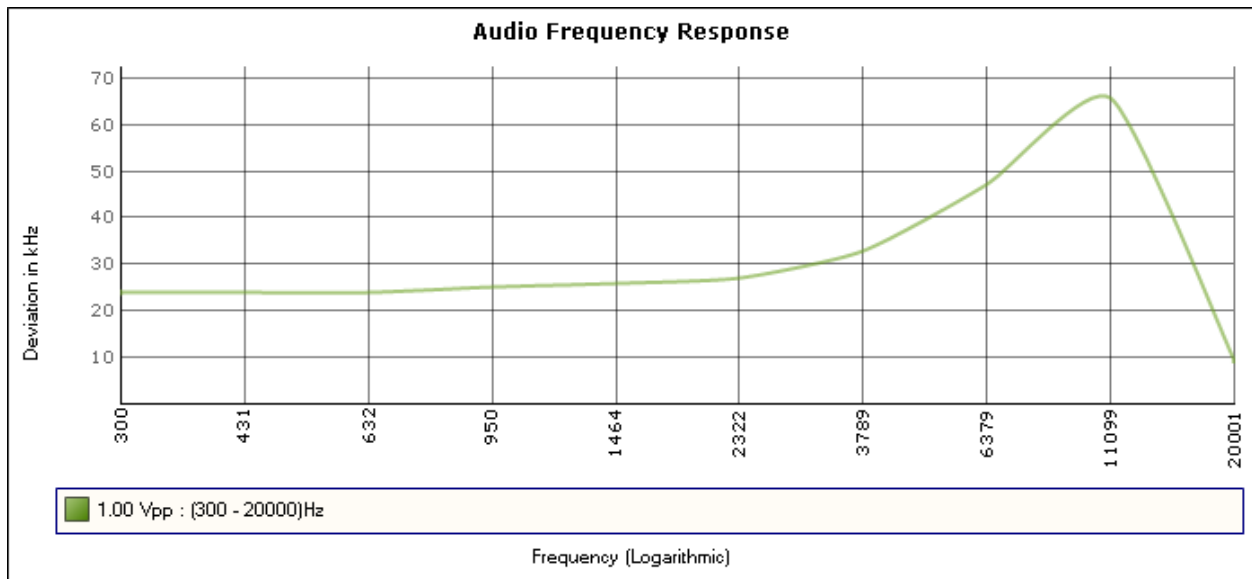
Rule Part No.: Part 2.1047(a)(b), RSS-123 Issue 1, Rev. 2

Method of Measurement:
below.

Audio frequency response

The audio frequency response was measured in accordance with ANSI/TIA 603-C:2004 with no exception. A curve or equivalent data showing the frequency response of the audio modulating circuit over a range of 100 – 5000Hz shall be submitted. The audio frequency response curve is shown

AUDIO FREQUENCY RESPONSE PLOT





VOICE MODULATED COMMUNICATION EQUIPMENT

Part 2.1047(a) Voice modulated communication equipment: For equipment required to have an audio low-pass filter, a curve showing the frequency response of the filter, or of all the circuitry installed between the modulation limiter and the modulated stage shall be submitted.

Audio low pass filter is not required in this unit.

Applicant: AUDIO TECHNICA CORPORATION
FCC ID: JFZM3TL
IC #: 1752B-M3TL
MODEL #: M3T
REPORT: A\AudioTechnica_JFZ\1773AUT8\1773AUT8TestReport.doc

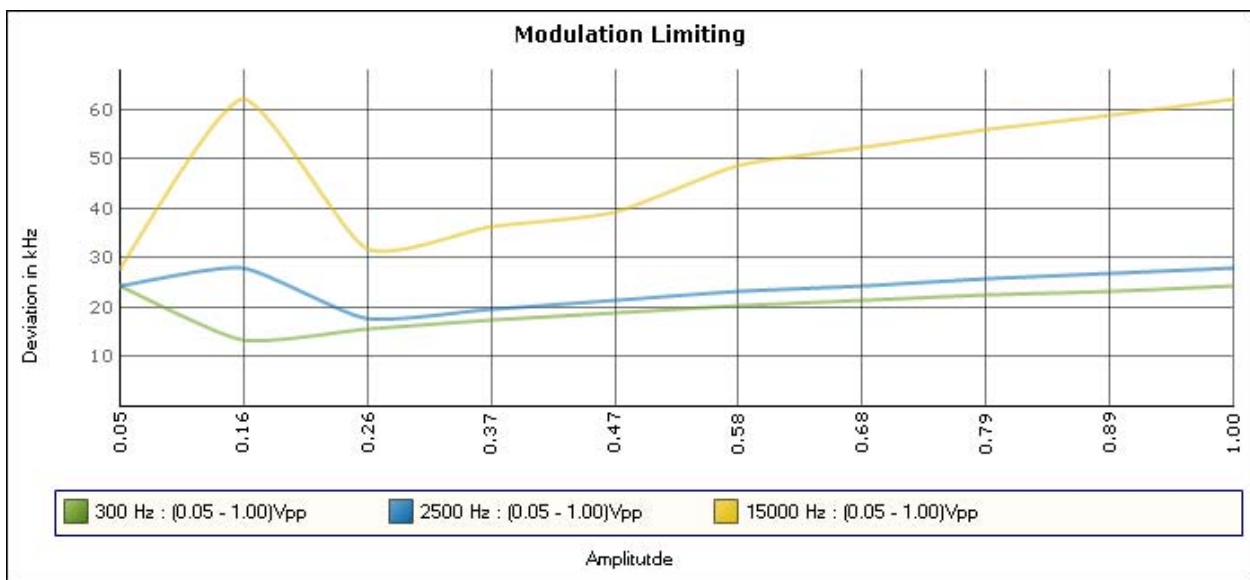
AUDIO INPUT VERSUS MODULATION

Rule Part No.: Part 2.1047(b) & 74, RSS-123 Issue 1, Rev. 2

Test Requirements:

Method of Measurement: **Modulation cannot exceed 100%**, The audio input level needed for a particular percentage of modulation was measured in accordance with TIA/EIA Specification 603. The audio input curves versus modulation are shown below. Curves are provided for audio input frequencies of 300, 2500, and 15000 Hz.

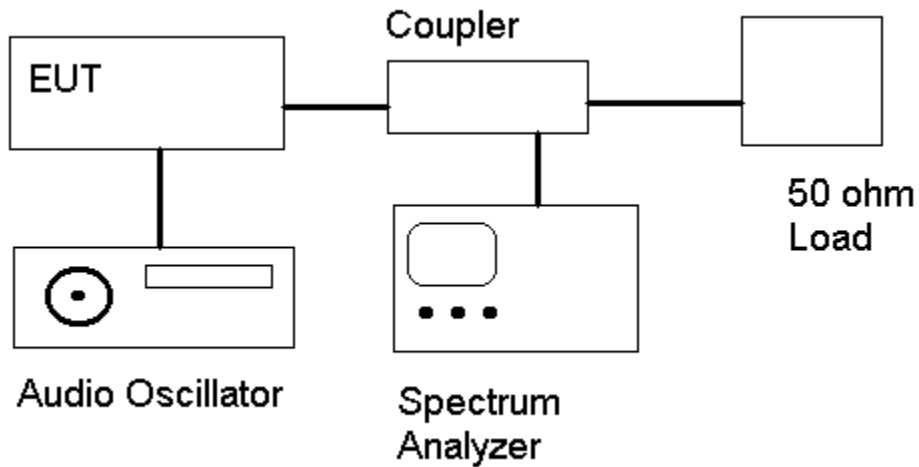
Test data:



Applicant: AUDIO TECHNICA CORPORATION
 FCC ID: JFZM3TL
 IC #: 1752B-M3TL
 MODEL #: M3T
 REPORT: A\AudioTechnica_JFZ\1773AUT8\1773AUT8TestReport.doc

OCCUPIED BANDWIDTH

Data in the plots show that all sidebands between 50 & 100% for the authorized bandwidth are attenuated by at least 25dB. From 100 to 250% of the authorized bandwidth they are attenuated by at least 35dB and beyond 250% 43 log(Po) dB. The plot shows the transmitter modulated with 15000 Hz(the highest modulation frequency), adjusted for 50% modulation plus 16 dB. The spectrum analyzer was set with the unmodulated carrier at the top of the screen. The test procedure diagram and occupied bandwidth plot follows.



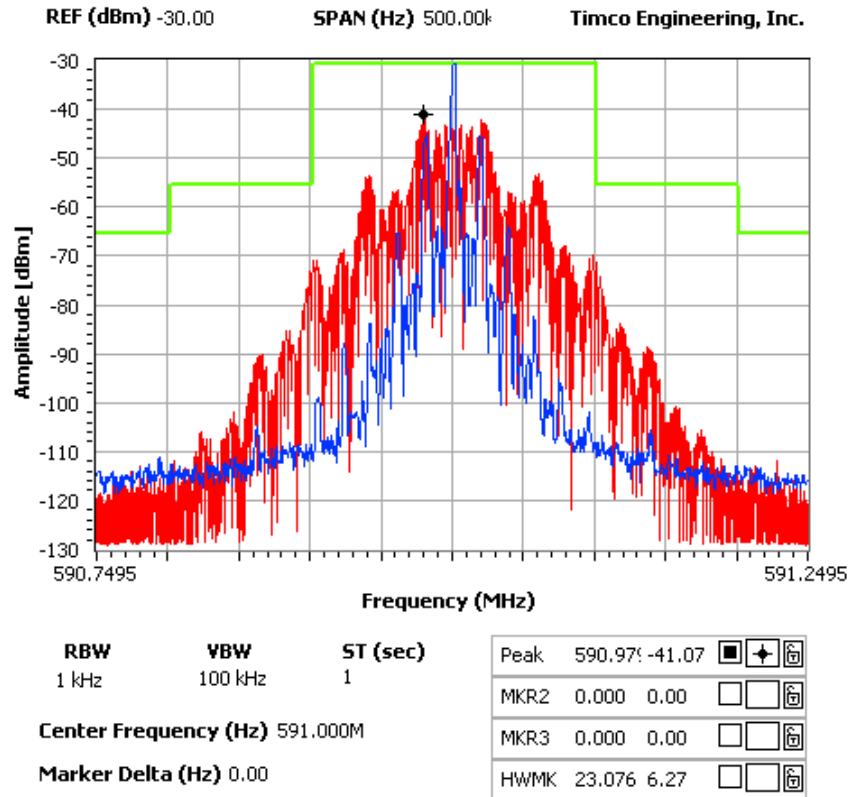
OCCUPIED BANDWIDTH MEASUREMENT

Applicant: AUDIO TECHNICA CORPORATION
 FCC ID: JFZM3TL
 IC #: 1752B-M3TL
 MODEL #: M3T
 REPORT: A\AudioTechnica_JFZ\1773AUT8\1773AUT8TestReport.doc

OCCUPIED BANDWIDTH PLOT

NOTES:

Occupied Bandwidth



Applicant: AUDIO TECHNICA CORPORATION
 FCC ID: JFZM3TL
 IC #: 1752B-M3TL
 MODEL #: M3T
 REPORT: A\AudioTechnica_JFZ\1773AUT8\1773AUT8TestReport.doc



SPURIOUS EMISSIONS AT ANTENNA TERMINALS (CONDUCTED)

REQUIREMENTS: Emissions must be $43 + 10\log(P_o)$ dB below the mean power output of the transmitter.

HIGH POWER: $43 + 10 \log(0.031) = 27.9$ dB
 LOW POWER: $43 + 10 \log(0.013) = 24.1$ dB

TEST DATA:

HIGH POWER:

Frequency MHz	dBc	Frequency MHz	dBc	Frequency MHz	dBc
575	0	591	0	608	0
1150	76.2	1182	77.8	1216	81.7
1725	107.4	1773	105.9	1824	104.6
2300	107.5	2364	99.2	2432	100.5
2875	113.3	2955	111.9	3040	110.5
3450	117.6	3546	115.4	3648	116.3
4025	115.9	4137	115.3	4256	115.6
4600	117.7	4728	114	5472	113
		5319	107.3	6080	110

LOW POWER:

Frequency MHz	dBc	Frequency MHz	dBc	Frequency MHz	dBc
575	0	591	0	608	0
1150	70.4	1182	98.9	1216	76.2
1725	101.4	1773	101.3	1824	101.2
2300	108.5	2364	108.5	2432	108.1
2875	111	2955	111.1	3040	109
3450	115.9	3546	115.8	3648	114
4025	112.9	4137	114.3	4256	113.8

Applicant: AUDIO TECHNICA CORPORATION
 FCC ID: JFZM3TL
 IC #: 1752B-M3TL
 MODEL #: M3T
 REPORT: A\AudioTechnica_JFZ\1773AUT8\1773AUT8TestReport.doc

FIELD STRENGTH OF SPURIOUS EMISSIONS

Rule Parts. No.: Part 2.1053, RSS-123 Issue 1, Rev. 2

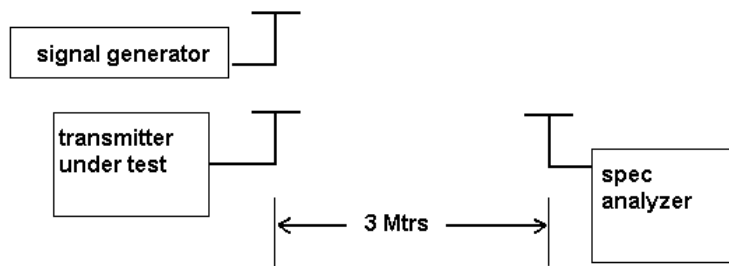
Requirements: Emissions must be $43 + 10\log(P_o)$ dB below the mean power output of the transmitter.

HIGH POWER: $43 + 10 \log(0.031) = 27.9$ dB

LOW POWER: $43 + 10 \log(0.013) = 24.1$ dB

METHOD OF MEASUREMENTS: The tabulated data shows the results of the radiated field strength emissions test. The spectrum was scanned from 30 MHz to at least the tenth harmonic of the fundamental. This test was conducted per ANSI/TIA 603-C:2004 using the substitution method. Measurements were made at the test site of Timco Engineering, Inc. located at 849 NW State Road 45, Newberry, FL 32669.

Test Setup Diagram:



Test Data:

Emission Frequency MHz	Ant. Polarity	dB Below Carrier (dBc)
575.00	V	0
1150.00	V	66.65

Emission Frequency MHz	Ant. Polarity	dB Below Carrier (dBc)
591.00	V	-

Emission Frequency MHz	Ant. Polarity	dB Below Carrier (dBc)
608.00	V	-

Applicant: AUDIO TECHNICA CORPORATION
 FCC ID: JFZM3TL
 IC #: 1752B-M3TL
 MODEL #: M3T
 REPORT: A\AudioTechnica_JFZ\1773AUT8\1773AUT8TestReport.doc

FREQUENCY STABILITY

Rule Parts. No.: Part 2.1055, Part 74.861, RSS-123 Issue 1, Rev. 2

Requirements: Temperature and voltage tests were performed to verify that the frequency remains within the .0050%,(50 ppm)

Method of Measurements: ANSI/TIA 603-C:2004.

The test was conducted as follows: The transmitter was placed in the temperature chamber at 25 °C and allowed to stabilize for one hour. The transmitter was keyed ON for one minute during which four frequency readings were recorded at 15-second intervals. The worse case number used in the table below. The assigned channel frequency was considered to be the reference frequency. The temperature was then reduced to -30 °C after which the transmitter was again allowed to stabilize for one hour. The transmitter was keyed ON for one minute, and again frequency readings were noted at 15-second intervals. The worst-case number was again used in the table below. This procedure was repeated in 10-degree increments up to + 50 degrees C.

Test Data:

Assigned Frequency (Ref. Frequency) (MHz)		
Temperature (°C)	Frequency (MHz)	Frequency Stability (PPM)
-30	591.004973	8.64
-20	591.004994	8.67
-10	591.00428	7.47
0	591.003148	5.55
+10	591.001491	2.75
+20	591.000223	0.60
+30	590.999582	-0.48
+40	590.999456	-0.70
+50	590.999777	-0.15

Assigned Frequency (Ref. Frequency) (MHz)		
% Battery	Frequency (MHz)	Frequency Stability (PPM)
-15%	590.999878	0.02
0	590.999868	
+15%	590.999882	0.02

Applicant: AUDIO TECHNICA CORPORATION
 FCC ID: JFZM3TL
 IC #: 1752B-M3TL
 MODEL #: M3T
 REPORT: A\AudioTechnica_JFZ\1773AUT8\1773AUT8TestReport.doc

EMC EQUIPMENT LIST

Device	Manufacturer	Model	Serial Number	Cal/Char Date	Due Date
3-Meter Semi-Anechoic Chamber	Panashield	N/A	N/A	Listed 5/11/07	5/10/10
AC Voltmeter	HP	400FL	2213A14499	CAL 12/29/06	12/29/08
Coaxial Cable #64	Semflex Inc.	60637	Timco #64	CHAR 3/30/07	3/30/09
Antenna: Dipole Kit	Electro-Metrics	TDA-30/1-4	152	CAL 3/3/06	3/3/09
Antenna: Dipole Kit	Electro-Metrics	TDA-30/1-4	153	CHAR 4/5/06	4/5/09
Frequency Counter	HP	5385A	2730A03025	CAL 7/6/07	7/6/09
Hygro-Thermometer	Extech	445703	0602	CAL 11/15/07	11/15/09
Antenna: Log-Periodic	Electro-Metrics	LPA-25	1122	CAL 12/1/06	12/1/08
Measuring Tape-7.5M	Kraftixx	7.5M PROF1		CHAR 11/13/07	11/13/09
Modulation Analyzer	HP	8901A	3435A06868	CAL 5/9/07	5/9/09
Digital Multimeter	Fluke	FLUKE-77-3	79510405	CAL 5/14/07	5/14/09
System One	Audio Precision	System One	SYS1-45868	CHAR 2/27/08	2/27/10
Analyzer Tan Tower Preamplifier	HP	8449B-H02	3008A00372	CAL 11/30/07	11/30/09
Analyzer Tan Tower Quasi-Peak Adapter	HP	85650A	3303A01690	CAL 11/30/07	11/30/09
Analyzer Tan Tower RF Preselector	HP	85685A	3221A01400	CAL 11/30/07	11/30/09
Analyzer Tan Tower Spectrum Analyzer	HP	8566B Opt 462	3138A07786 3144A20661	CAL 11/30/07	11/30/09
Temperature Chamber	Tenney Engineering	TTRC	11717-7	CHAR 4/25/08	4/25/10

Applicant: AUDIO TECHNICA CORPORATION
 FCC ID: JFZM3TL
 IC #: 1752B-M3TL
 MODEL #: M3T
 REPORT: A\AudioTechnica_JFZ\1773AUT8\1773AUT8TestReport.doc