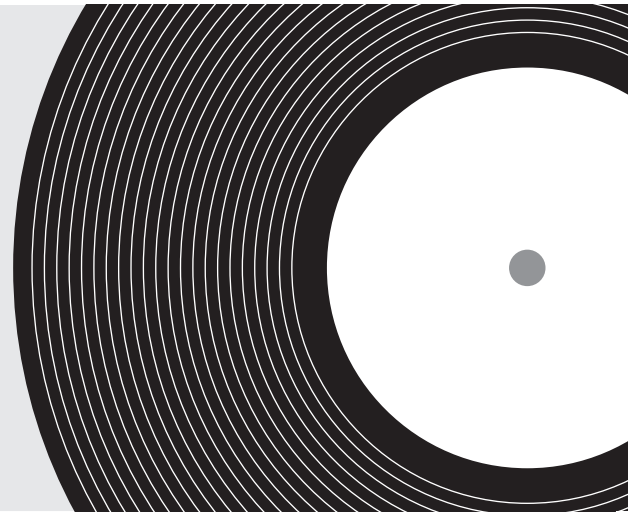




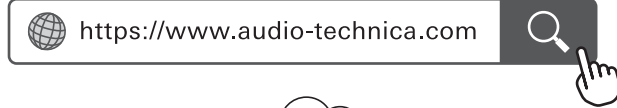
# TURNTABLE QUICK START GUIDE

AT-LPW50BT

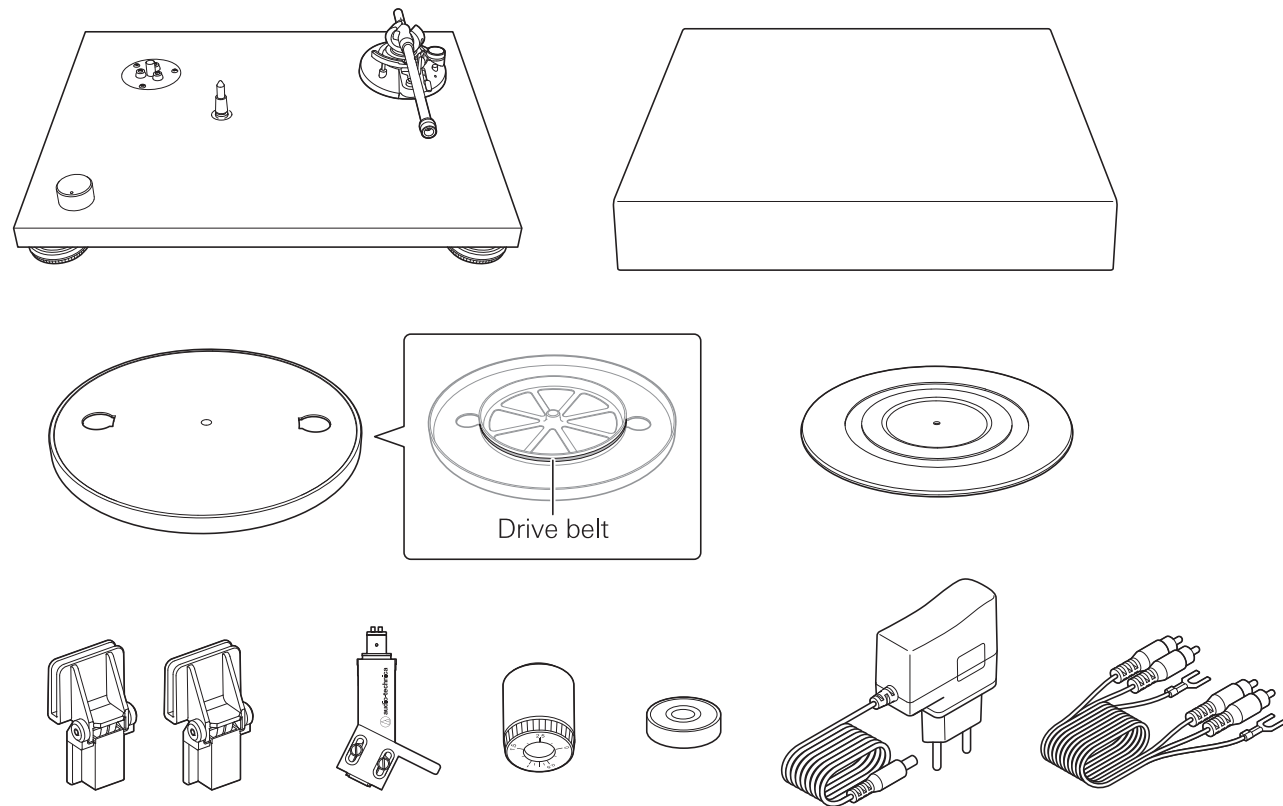


## INFORMATION

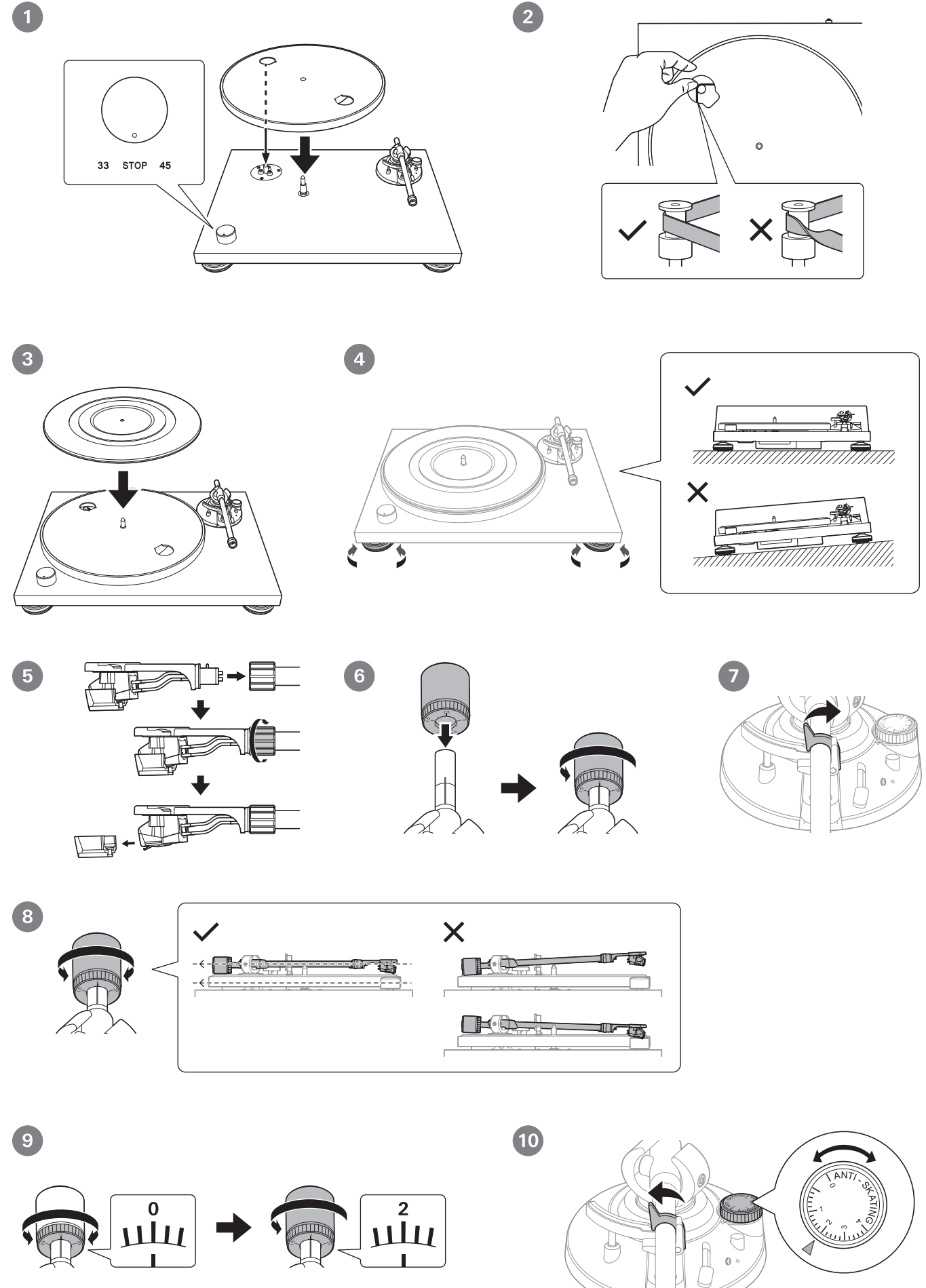
User Manual  
Manuel de l'utilisateur  
Bedienungsanleitung  
Manuale dell'utente  
Manual de usuario  
Manual do Usuário  
Руководство пользователя  
用户手册  
使用説明書  
사용설명서



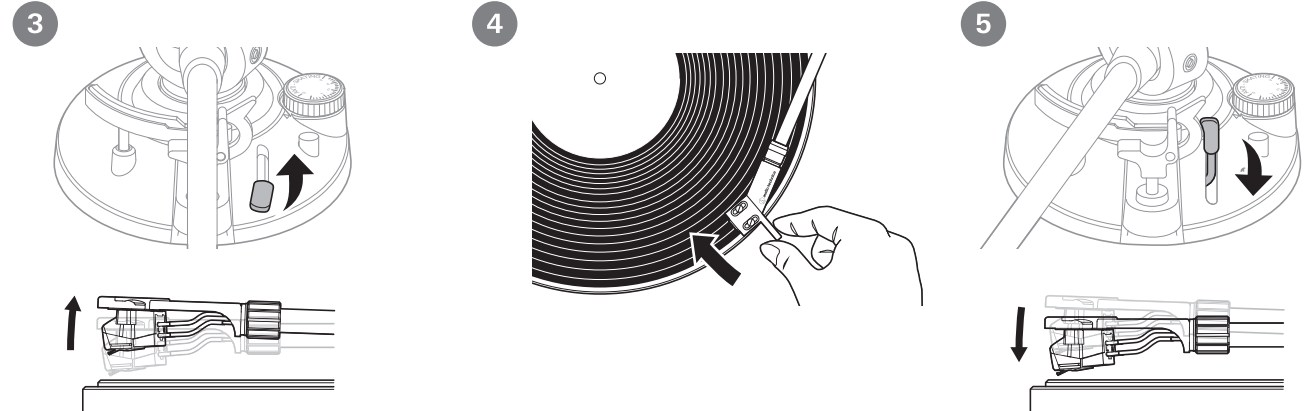
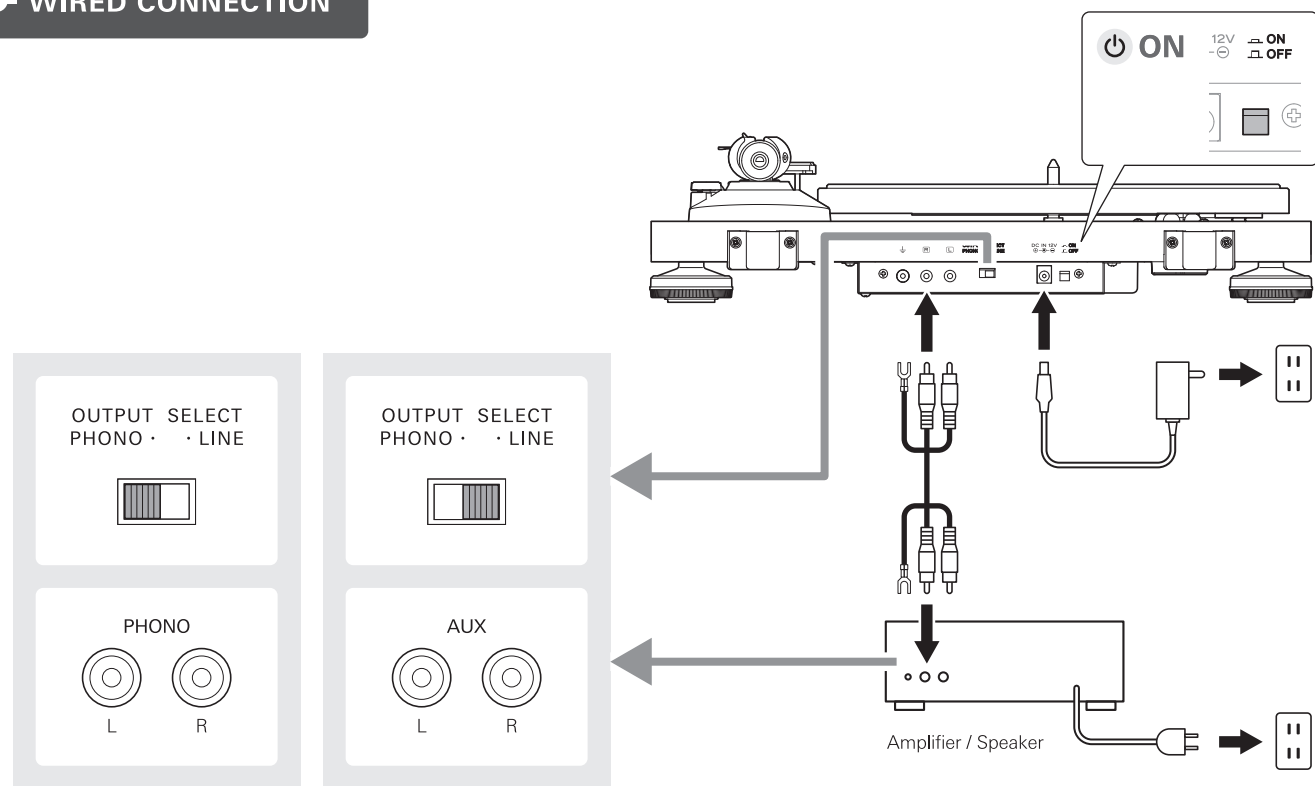
## CONTENTS



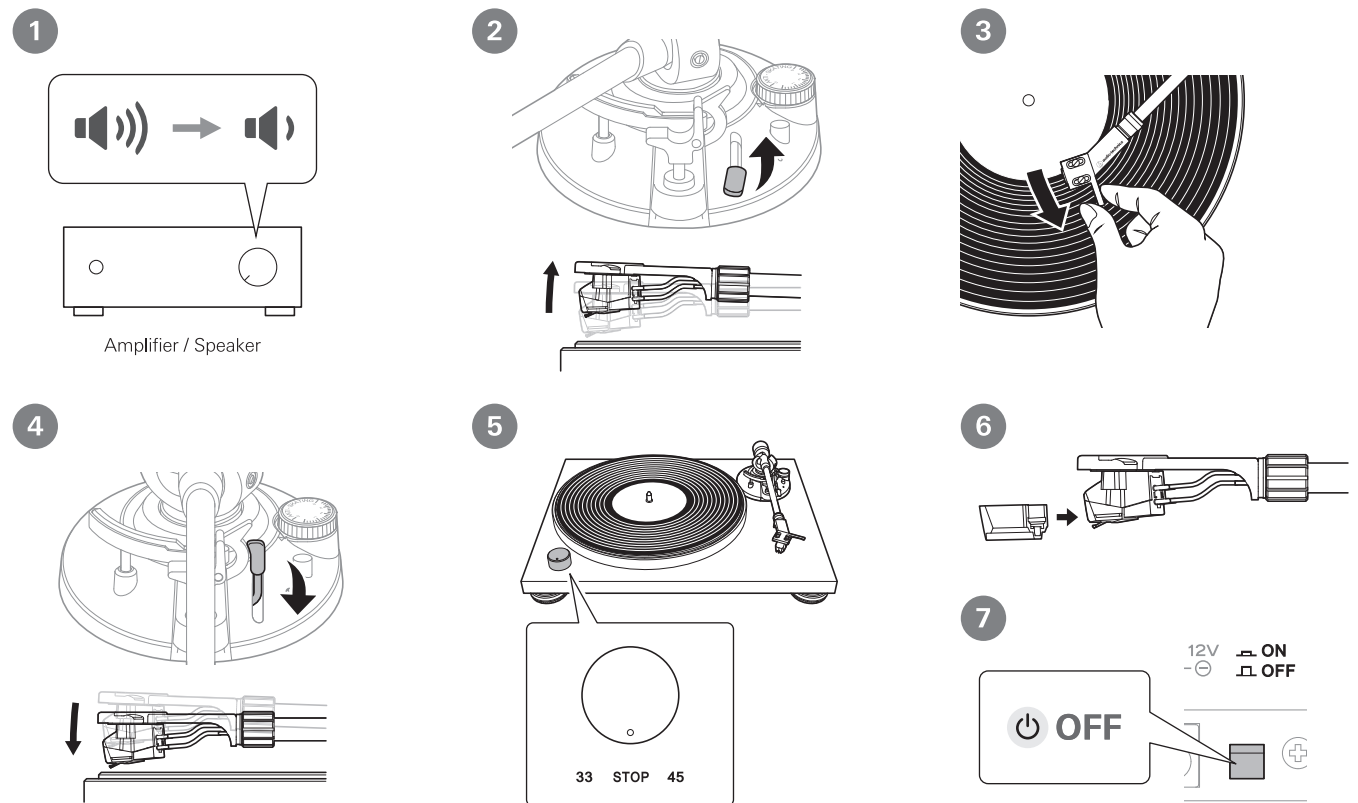
## PREPARATION



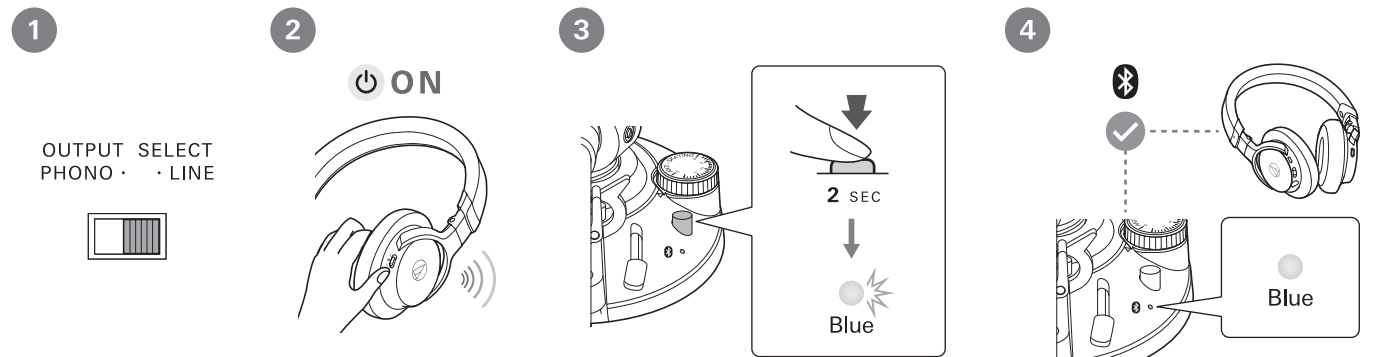
**WIRED CONNECTION**



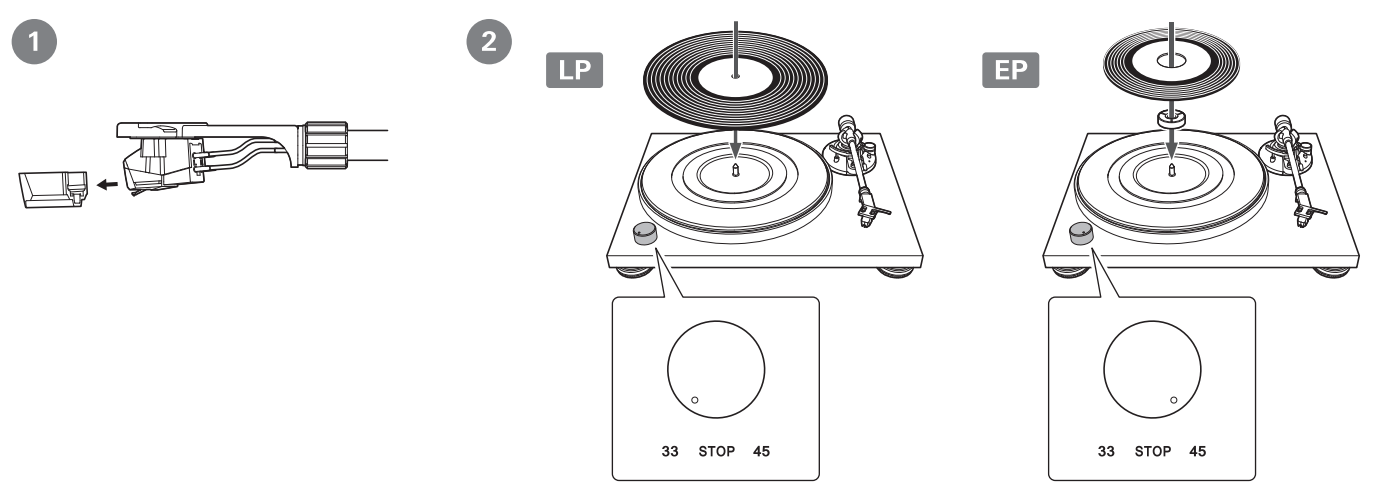
**STOP**



**WIRELESS CONNECTION**

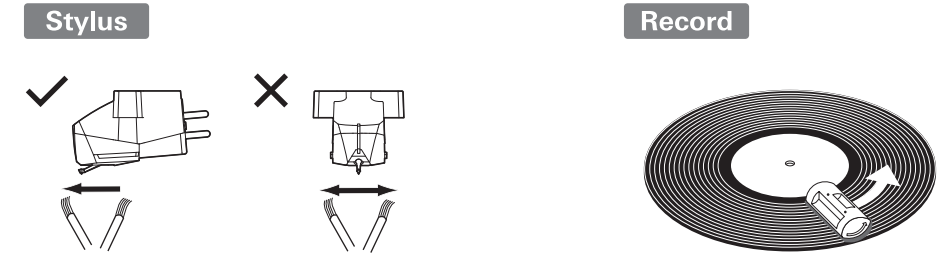


**PLAY**



**CLEANING**

For details about turntable and cartridge care accessories, visit <https://www.audio-technica.com>



•The Bluetooth® word mark and logos are registered trademarks owned by Bluetooth SIG, Inc. and any use of such marks by Audio-Technica Corporation is under license. Other trademarks and trade names are those of their respective owners.