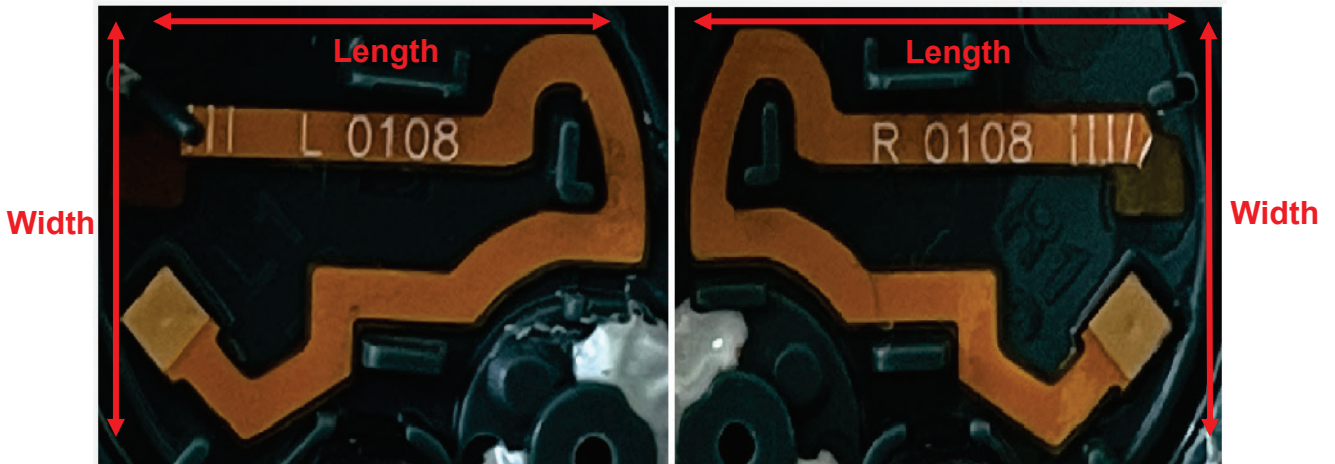


Antenna Information

Item	Contents	
Antenna Type	Monopole Antenna	
Antenna peak gain	Left	-2.8 dBi
	Right	-0.49 dBi
Manufacturer / Model name	Left	AWAVE / ATH-CKS50TW2-(L)
	Right	AWAVE / ATH-CKS50TW2-(R)
Address of manufacturer	519~520Ho, 75-15, Gasan digital 1-ro, Geumcheon-gu, Seoul, Republic of Korea	
Test Laboratory	AWAVE	
Left Antenna Length	1.4 cm	
Left Antenna Width	0.9 cm	
Right Antenna Length	1.4 cm	
Right Antenna Width	0.9 cm	

Left

Right



Model name: ATH-CKS50TW2

APPROVAL SPECIFICATION

Product : Internal Antenna

Model Name : ATH-CKS50TW2-(L)

Date : 2024.04.01



AWAVE

[08592] 519~520Ho, 75-15, Gasan digital 1-ro, Geumcheon-gu, Seoul, Republic of Korea

Table of Contents

Page

- 1. **Manufacturer** ----- **3**
- 2. **Model Name** ----- **3**
- 3. **Antenna Type** ----- **3**
- 4. **Electrical Performance Data** ----- **3**
- 5. **External Drawing** ----- **7**

1. Manufacturer

- **AWAVE**
- **AWAVE Part Number : AW-00009**

2. Model Name

- **ATH-CKS50TW2-(L)**

3. Antenna Type

- **Monopole : Monopole Antenna**

4. Electrical Performance Data

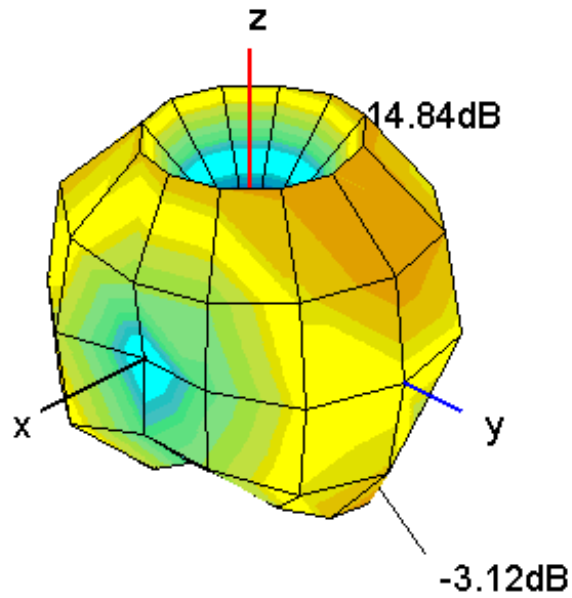
4.1 Specification Sheet

4.1.1 3D Gain Data

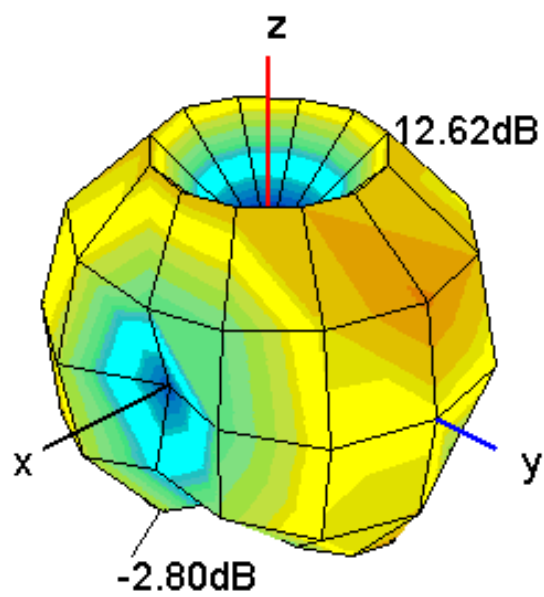
Electronic Specification			
Frequency Range (MHz)	Bluetooth		
	2400	2440	2480
3D Average Gain (dB)	-5.94	-5.48	-6.13
3D Average Efficiency (%)	25.4	28.3	24.4
3D Peak Gain (dBi)	-3.12	-2.80	-3.40

4.1.2 3D Radiation Pattern

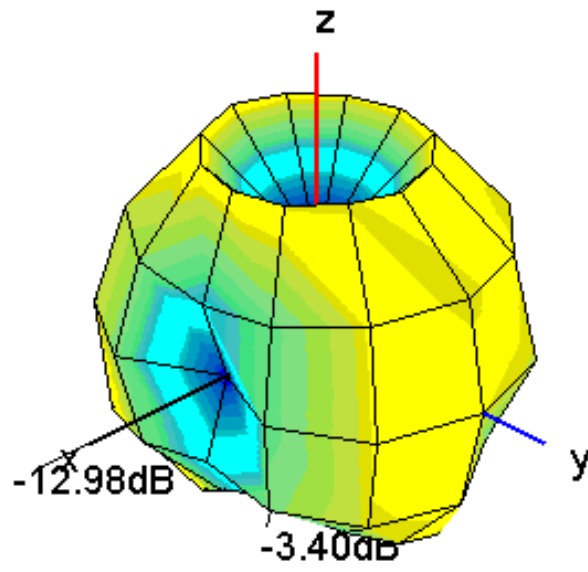
BT [2400MHz]



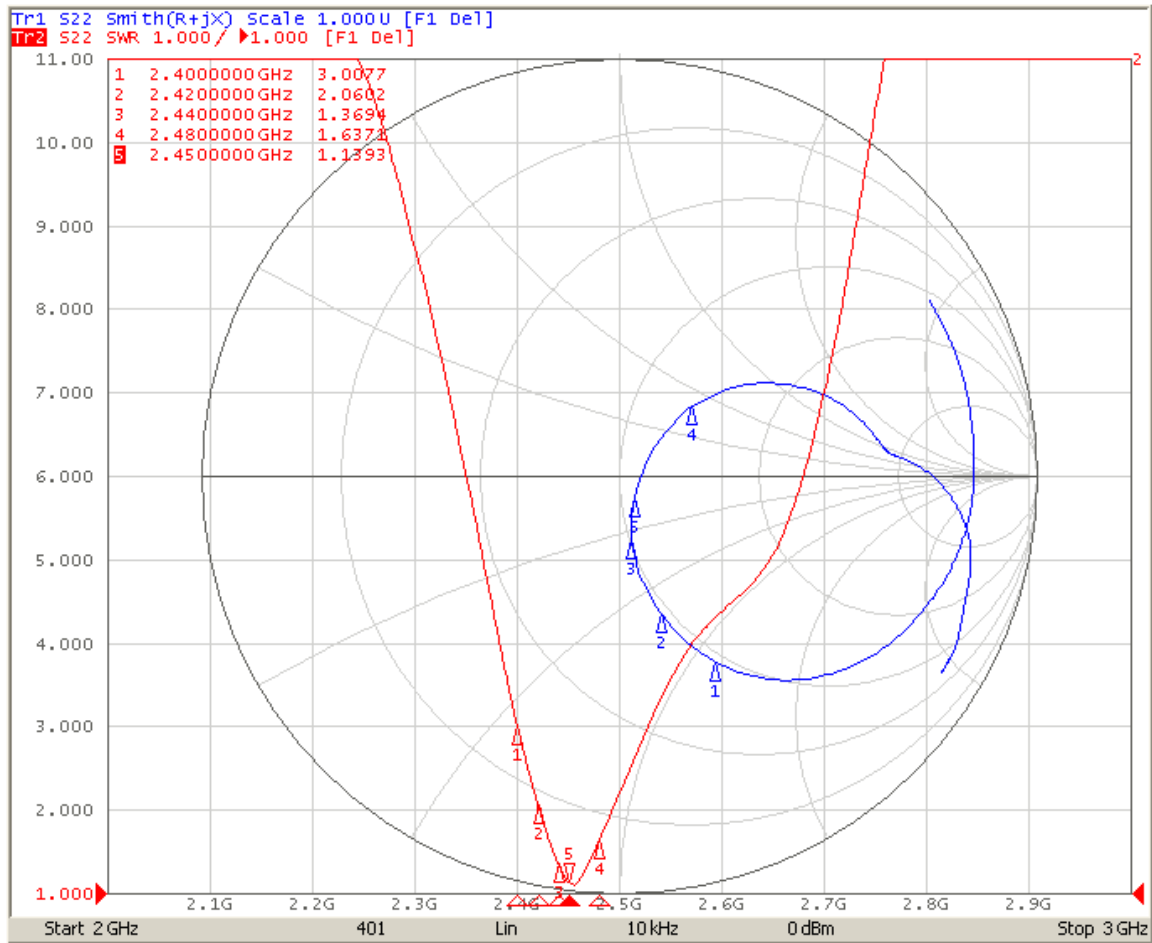
BT [2440MHz]



BT [2480MHz]



4.1.3 VSWR (SET)



APPROVAL SPECIFICATION

Product : Internal Antenna

Model Name : ATH-CKS50TW2-(R)

Date : 2024.04.01



AWAVE

[08592] 519~520Ho, 75-15, Gasan digital 1-ro, Geumcheon-gu, Seoul, Republic of Korea

Table of Contents

Page

- 1. **Manufacturer** ----- **3**
- 2. **Model Name** ----- **3**
- 3. **Antenna Type** ----- **3**
- 4. **Electrical Performance Data** ----- **3**
- 5. **External Drawing** ----- **7**

1. Manufacturer

- **AWAVE**
- **AWAVE Part Number : AW-00010**

2. Model Name

- **ATH-CKS50TW2-(R)**

3. Antenna Type

- **Monopole : Monopole Antenna**

4. Electrical Performance Data

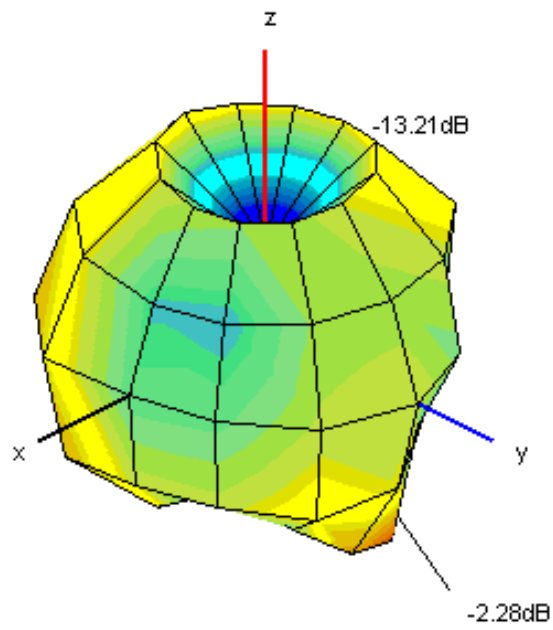
4.1 Specification Sheet

4.1.1 3D Gain Data

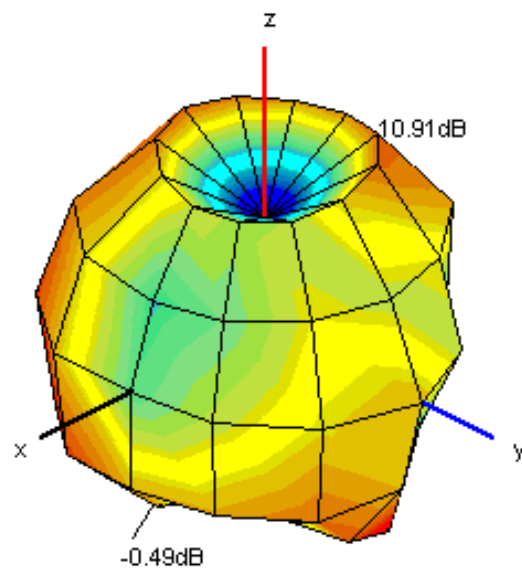
Electronic Specification			
Frequency Range (MHz)	Bluetooth		
	2400	2440	2480
3D Average Gain (dB)	-6.15	-5.01	-6.28
3D Average Efficiency (%)	24.3	31.5	23.5
3D Peak Gain (dBi)	-2.28	-0.49	-1.25

4.1.2 3D Radiation Pattern

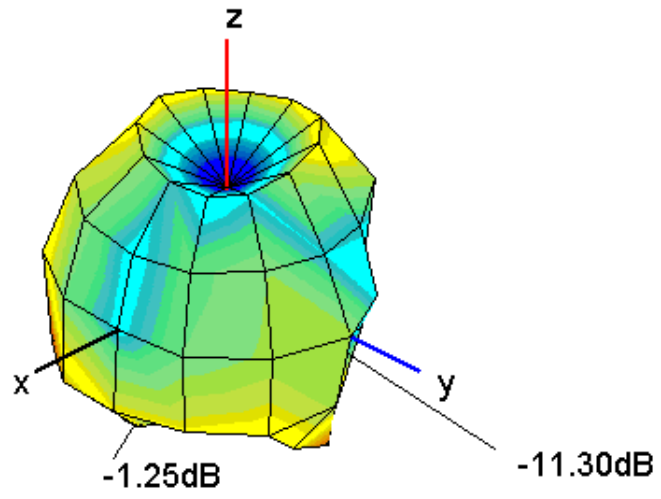
BT [2400MHz]



BT [2440MHz]



BT [2480MHz]



4.1.3 VSWR (SET)

