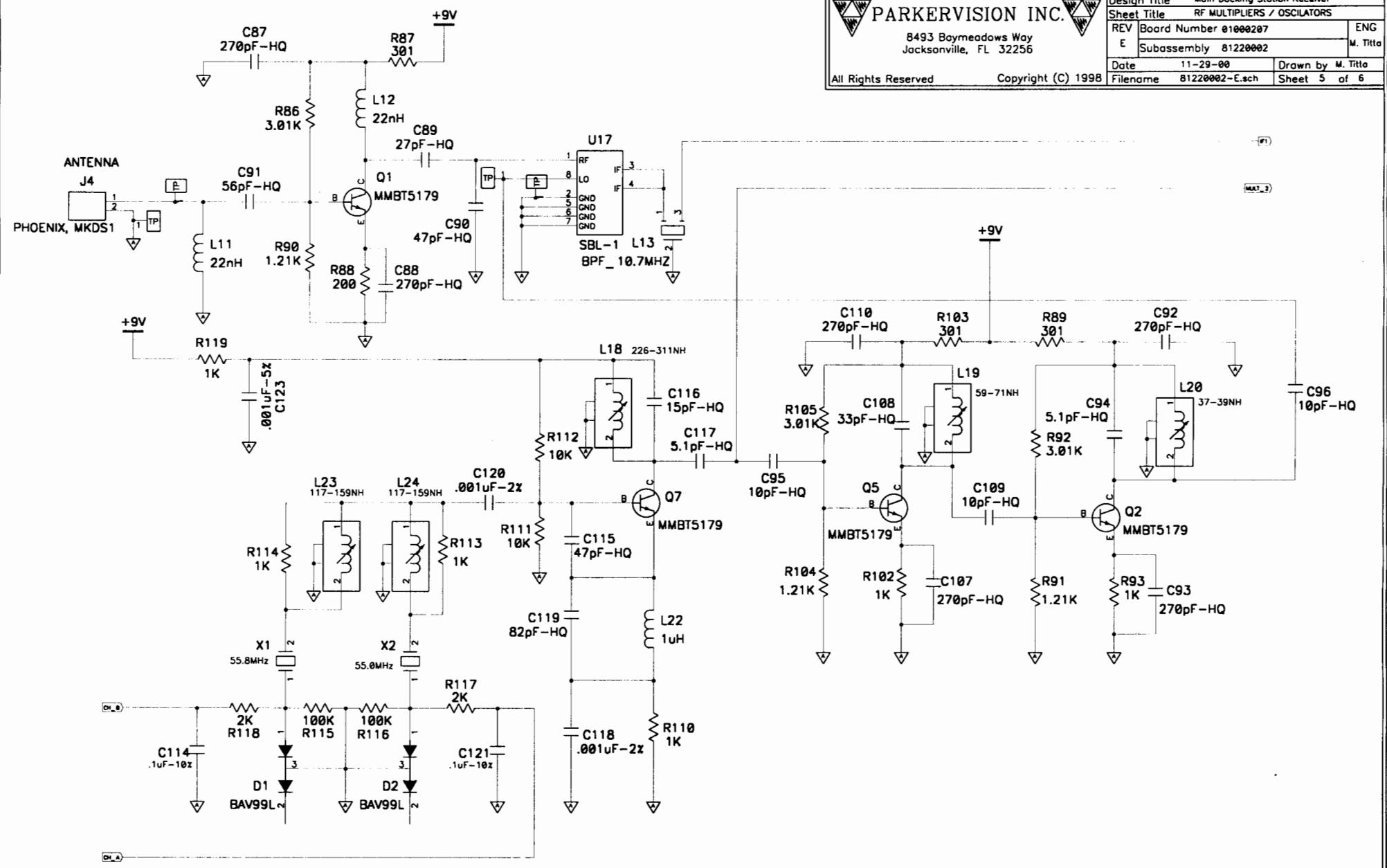


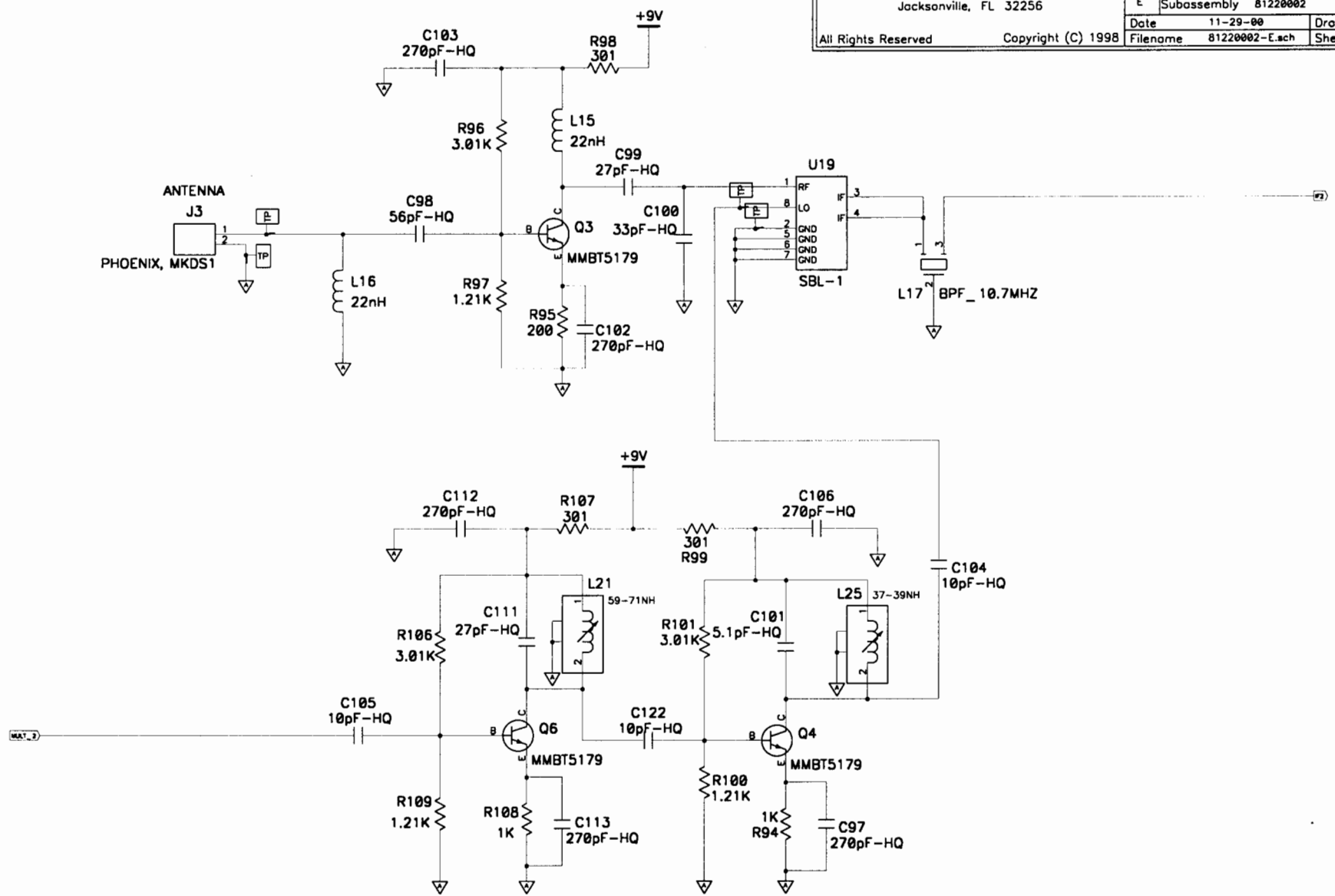
Rec. b.d.

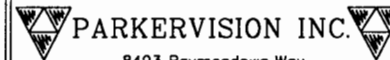
PARKERVISION INC.
 8493 Baymeadows Way
 Jacksonville, FL 32256

All Rights Reserved Copyright (C) 1998

Design Title	Main Docking Station Receiver	
Sheet Title	RF MULTIPLIERS / OSCILLATORS	
REV	Board Number 01000207	ENG
E	Subassembly 81220002	M. Titto
Date	11-29-00	Drawn by M. Titto
Filename	81220002-E.sch	Sheet 5 of 6







8493 Baymeadows Way
Jacksonville, FL 32256

All Rights Reserved

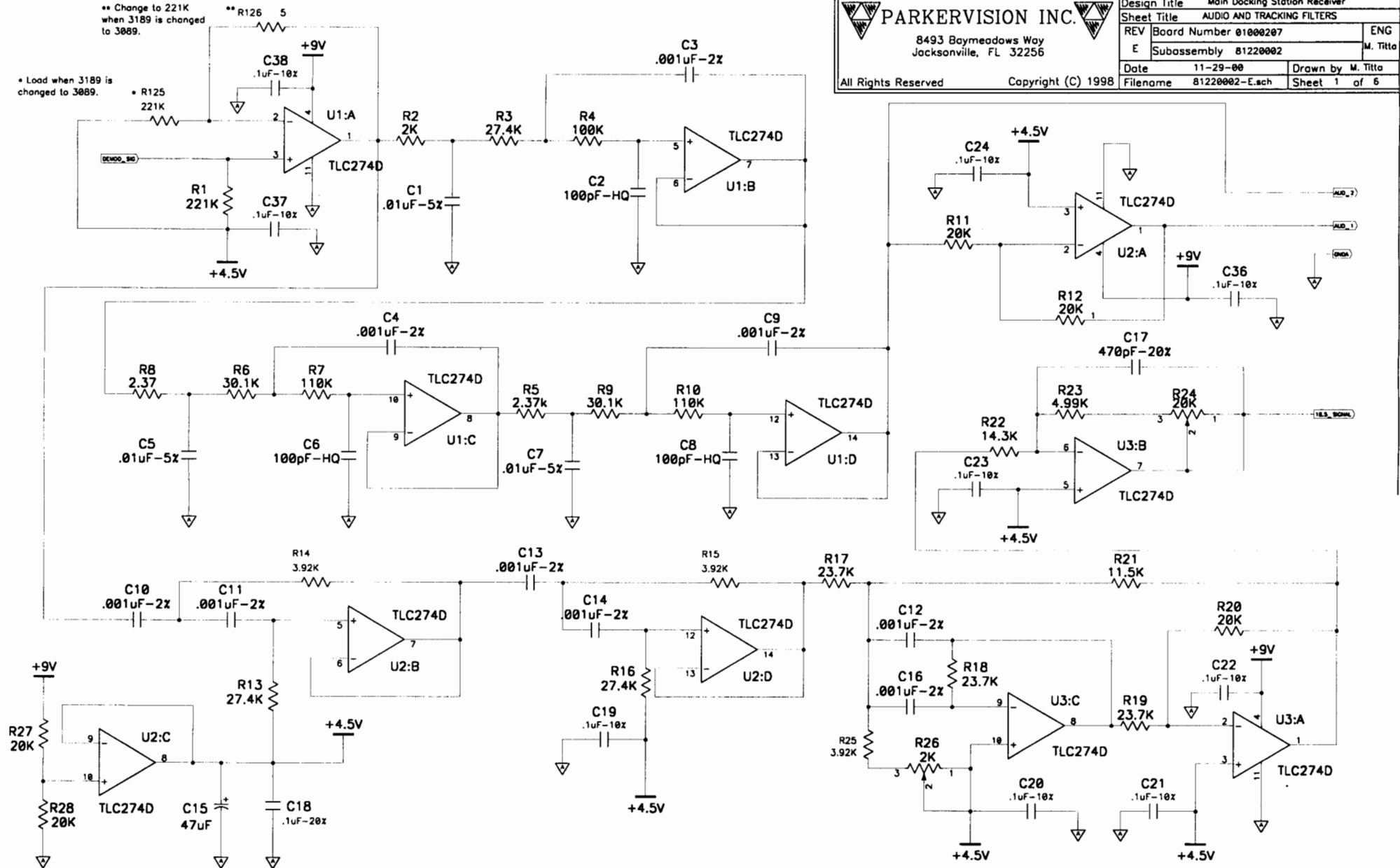
Copyright (C) 1998

Design Title	Main Docking Station Receiver	
Sheet Title	AUDIO AND TRACKING FILTERS	
REV	Board Number 01000207	ENG
E	Subassembly 81220002	M. Titto
Date	11-29-00	Drawn by M. Titto
Filename	81220002-E.sch	Sheet 1 of 6

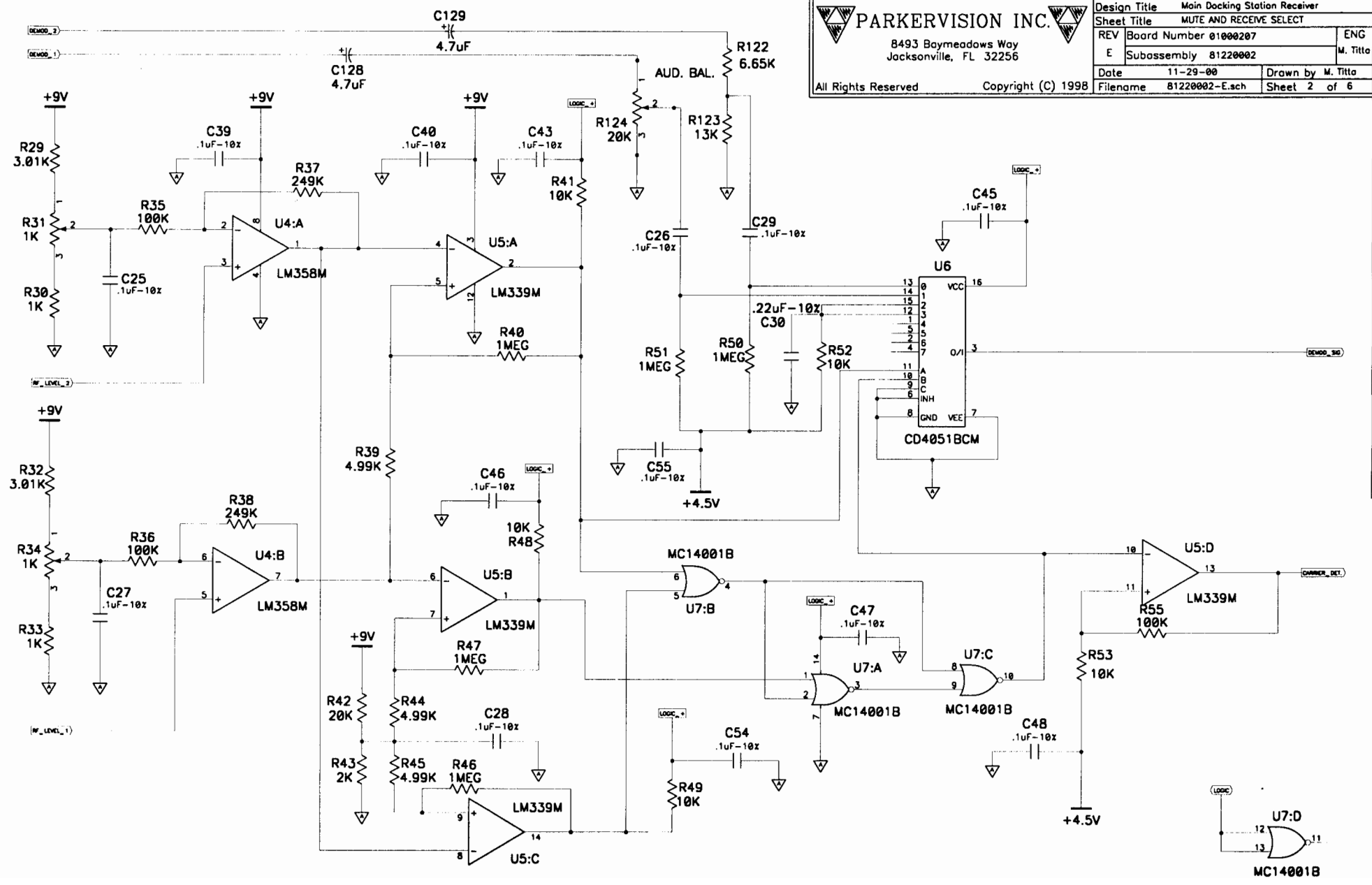
** Change to 221K when 3189 is changed to 3089.

** R126 5

* Load when 3189 is changed to 3089.



Design Title	Main Docking Station Receiver	
Sheet Title	MUTE AND RECEIVE SELECT	
REV	Board Number 01000207	ENG
E	Subassembly 81220002	M. Titto
Date	11-29-00	Drawn by M. Titto
Filename	81220002-E.sch	Sheet 2 of 6

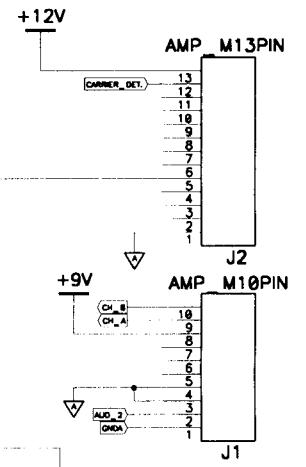
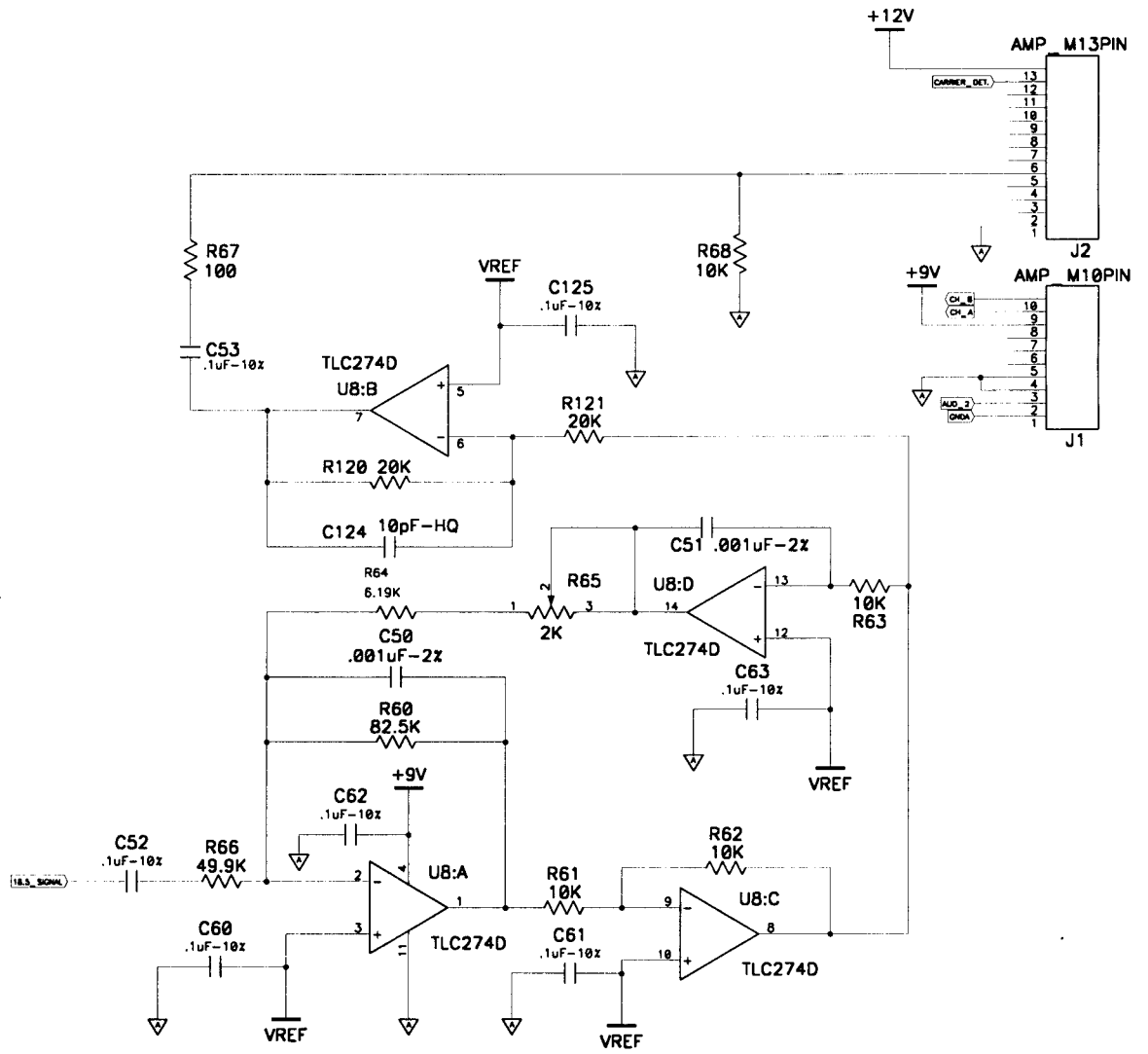
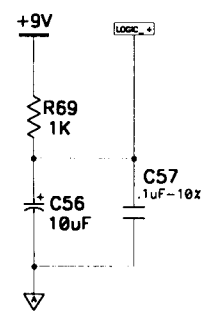
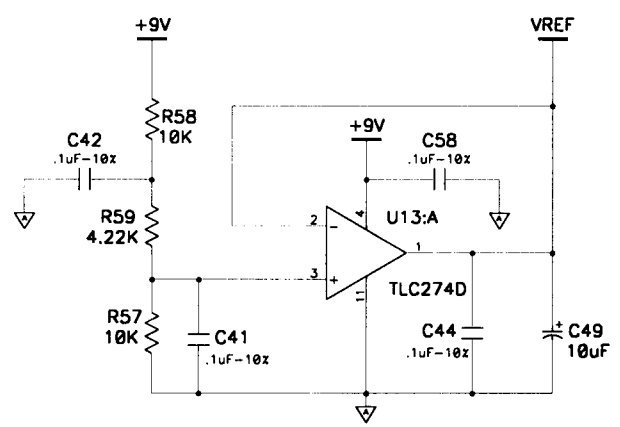
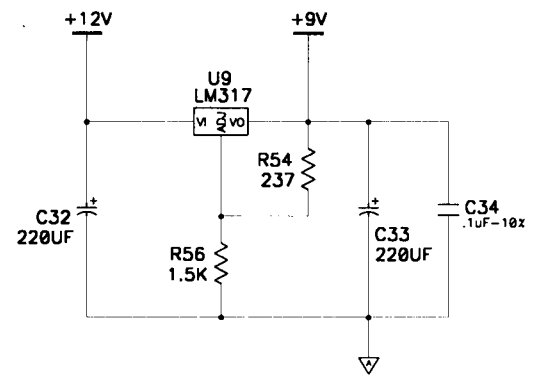




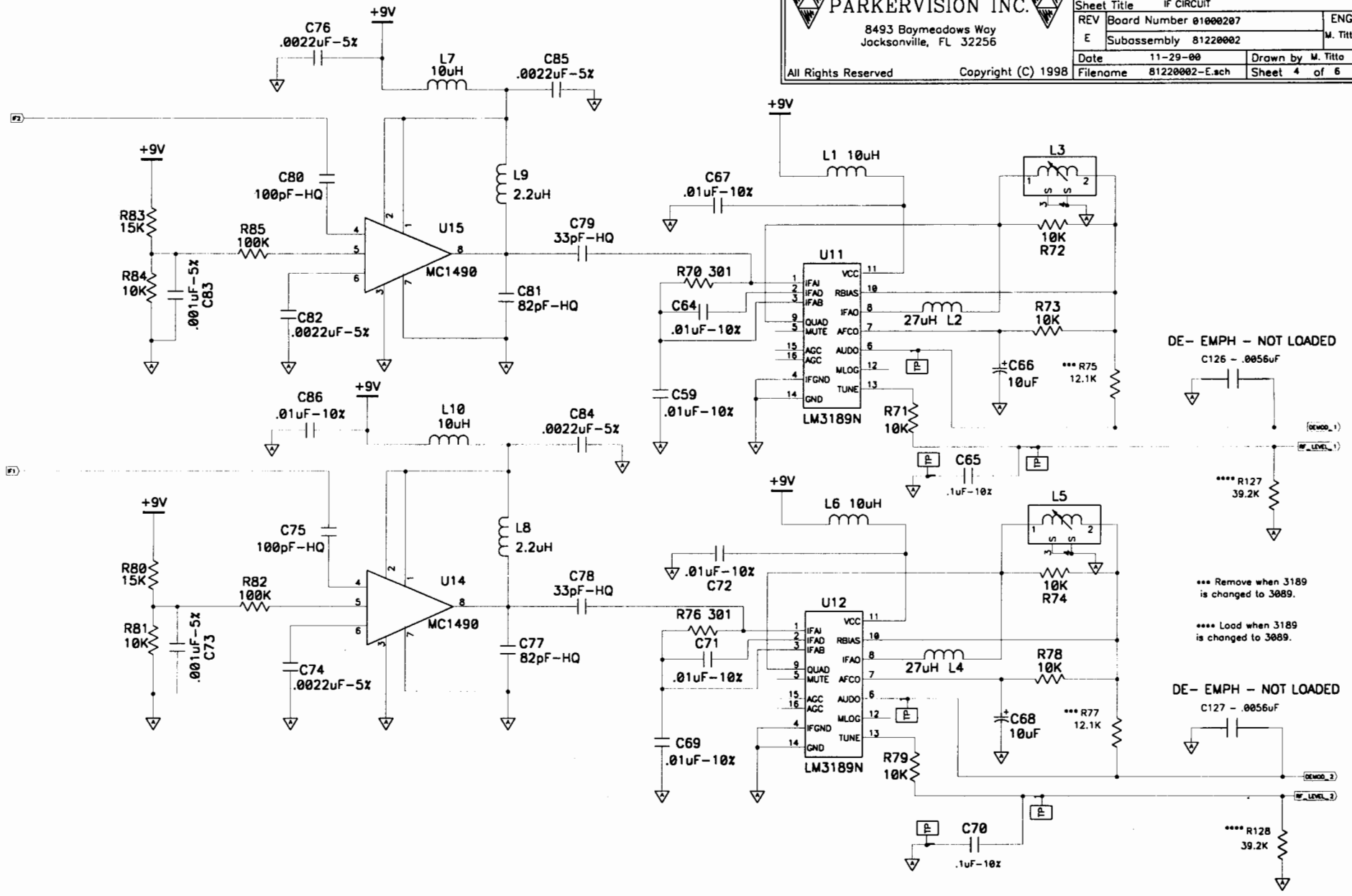
8493 Baymeadows Way
Jacksonville, FL 32256

All Rights Reserved Copyright (C) 1998

Design Title	Main Docking Station Receiver	
Sheet Title	18.5 KHz FILTER, PWR REGULATORS	
REV	Board Number 01000207	ENG
E	Subassembly 81220002	M. Titto
Date	11-29-00	Drawn by M. Titto
Filename	81220002-E.sch	Sheet 3 of 6



Design Title		Main Docking Station Receiver	
Sheet Title		IF CIRCUIT	
REV	Board Number 01000207	ENG M. Titto	
E	Subassembly 81220002		
Date	11-29-00	Drawn by	M. Titto
Filename	81220002-E.sch	Sheet	4 of 6



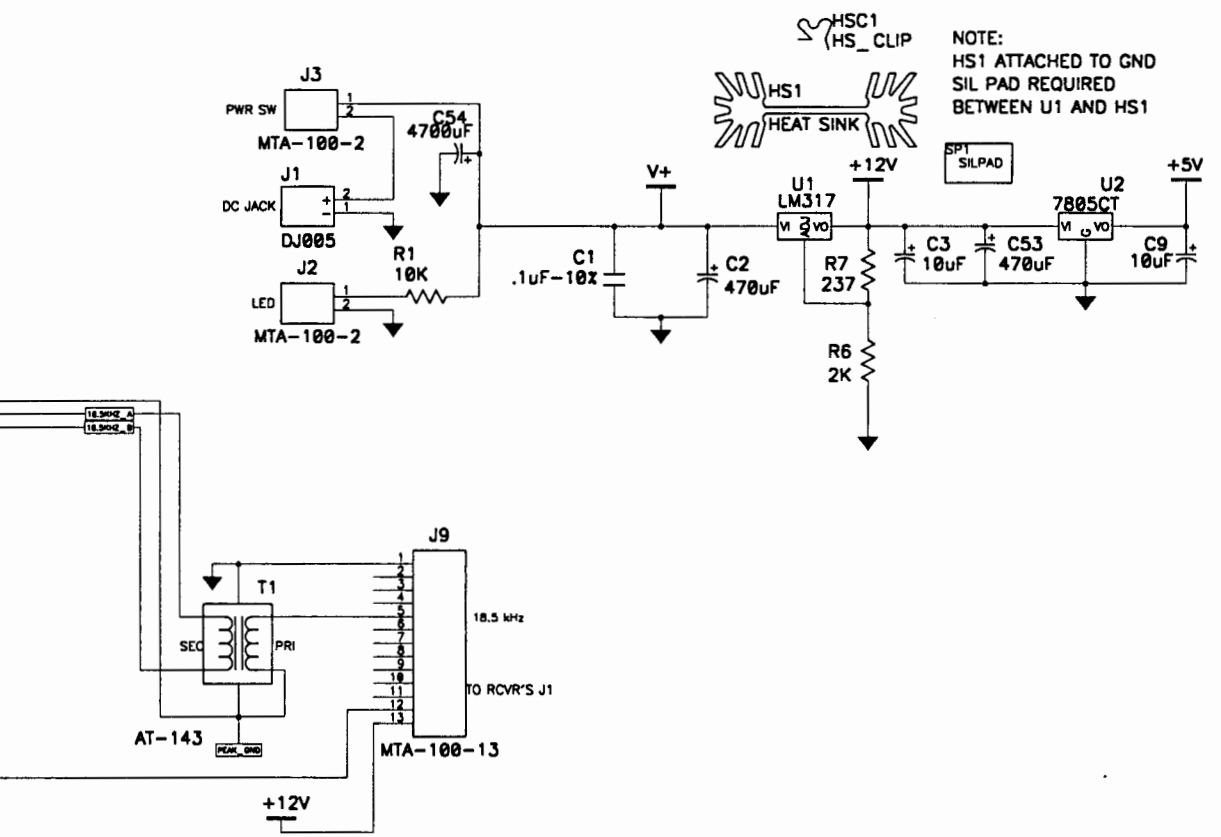
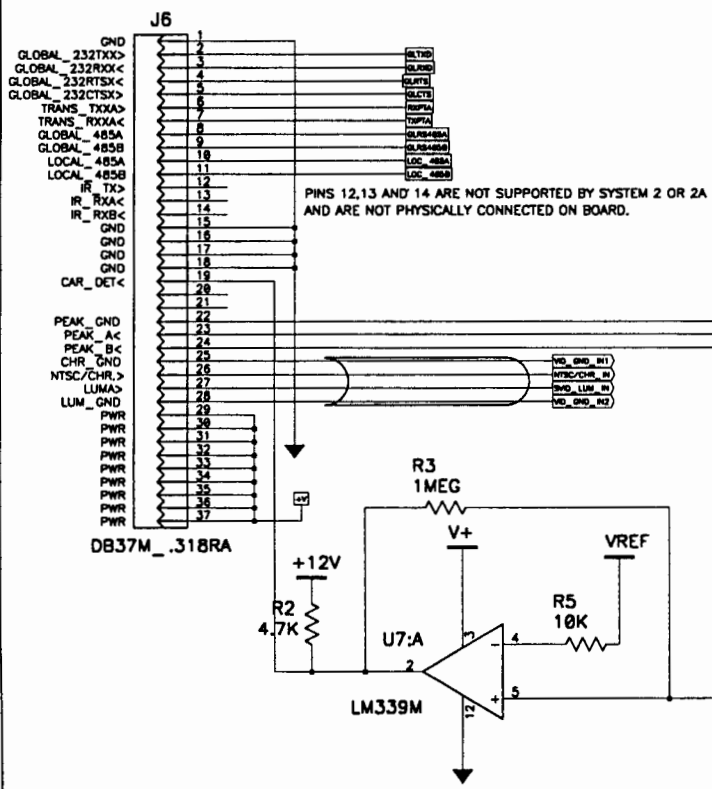
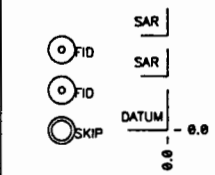
*** Remove when 3189 is changed to 3089.
 *** Load when 3189 is changed to 3089.

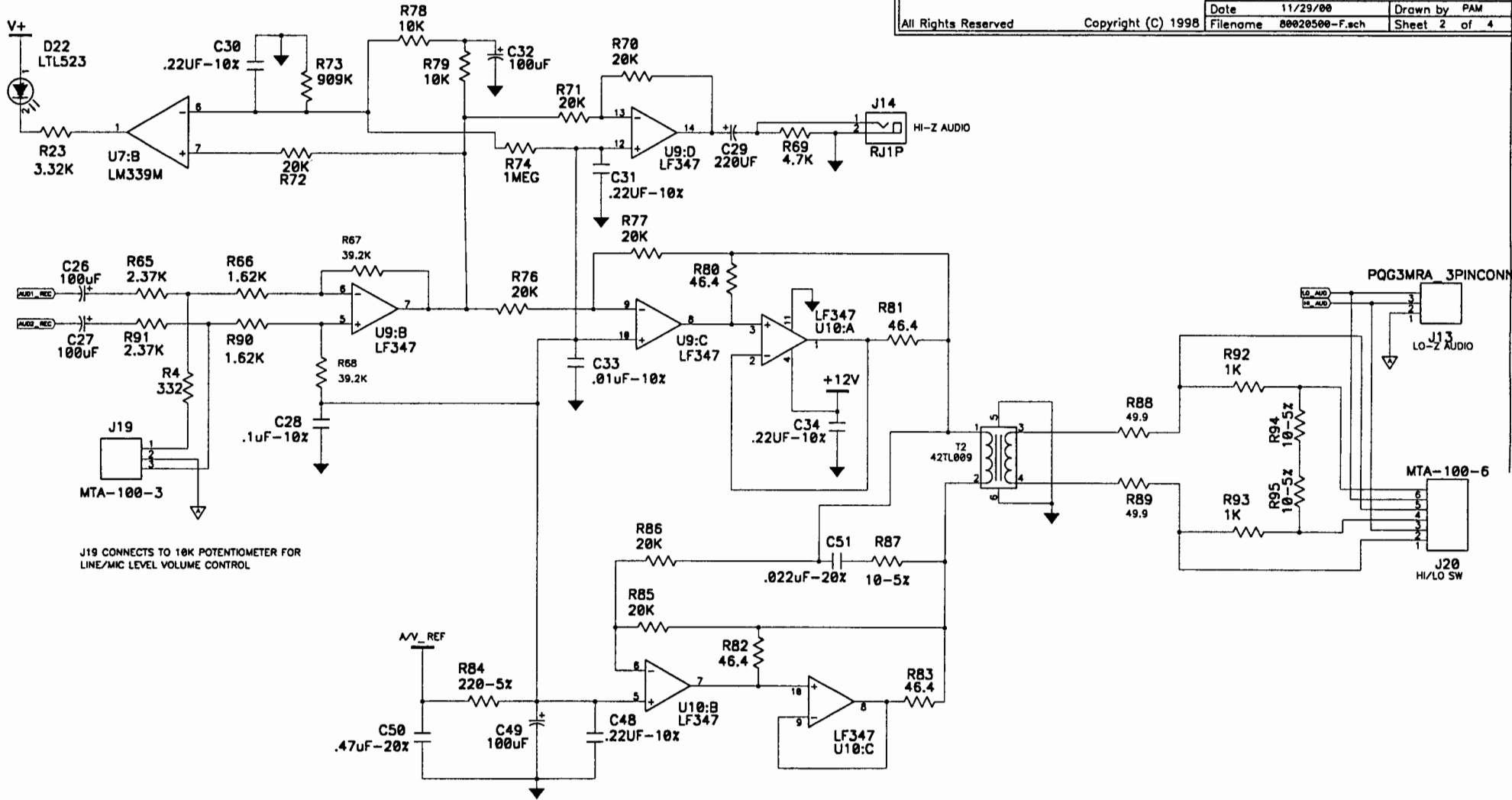
Man bd

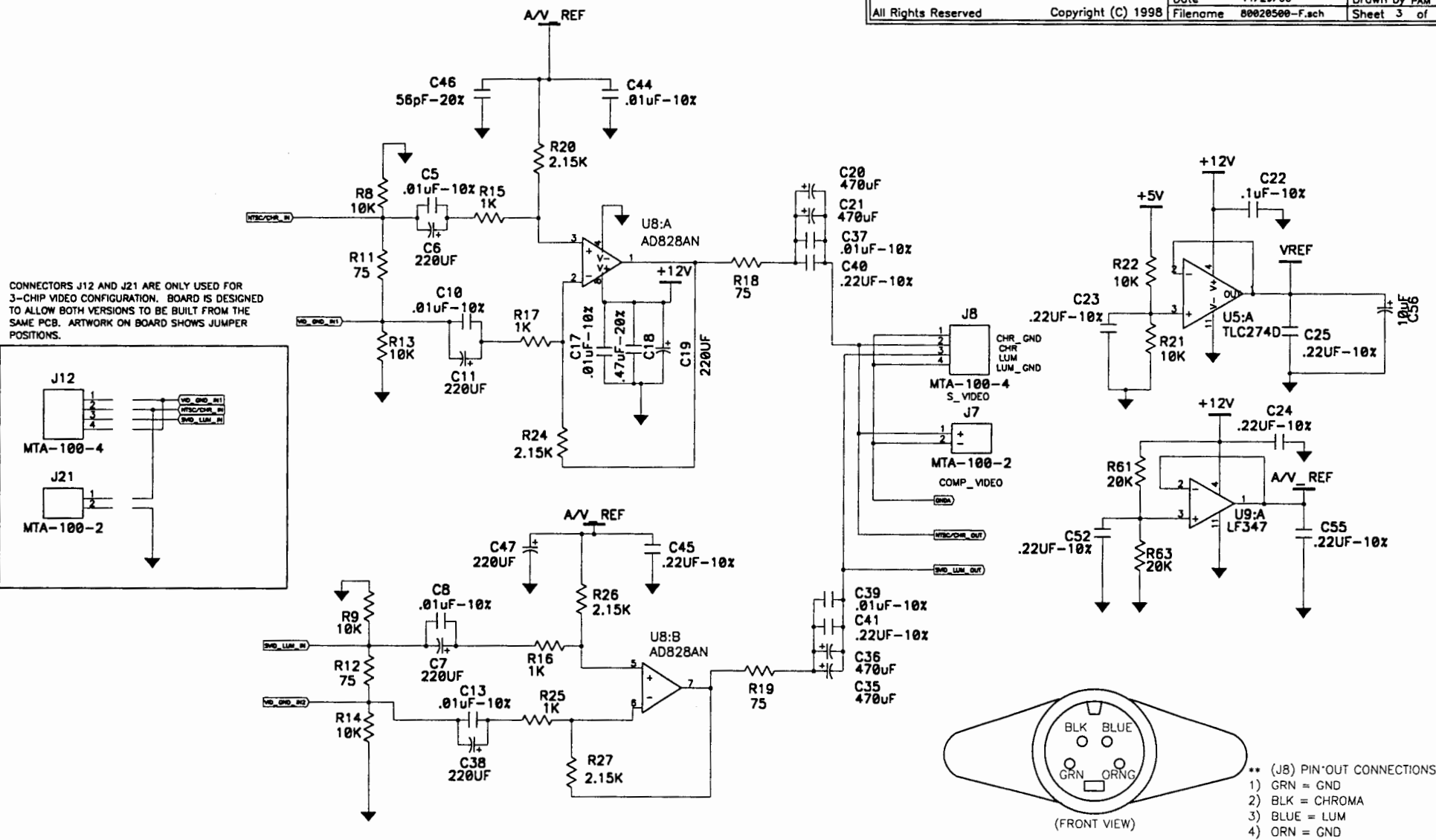
PARKERVISION INC.
 8493 Baymeadows Way
 Jacksonville, FL 32256

All Rights Reserved Copyright (C) 1998

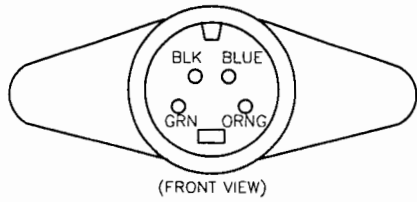
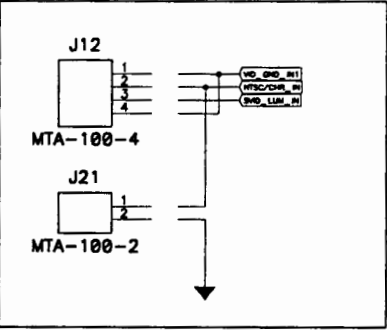
Design Title Main Docking Station		
Sheet Title MAN I/O AND POWER		
REV	Board Number 01050001	ENG
F	Subassembly 80020500	PAM
Date 11/29/00	Drawn by PAM	
Filename 80020500-F.sch	Sheet 1 of 4	







CONNECTORS J12 AND J21 ARE ONLY USED FOR 3-CHIP VIDEO CONFIGURATION. BOARD IS DESIGNED TO ALLOW BOTH VERSIONS TO BE BUILT FROM THE SAME PCB. ARTWORK ON BOARD SHOWS JUMPER POSITIONS.



- ** (J8) PIN-OUT CONNECTIONS
- 1) GRN = GND
 - 2) BLK = CHROMA
 - 3) BLUE = LUM
 - 4) ORN = GND

Design Title Main Docking Station		
Sheet Title RS232 AND RS485 COMMS		
REV	Board Number 01050001	ENG
F	Subassembly 80020500	PAM
Date 11/29/00	Drawn by PAM	
Filename 80020500-F.sch	Sheet 4 of 4	

