

Exhibit 1

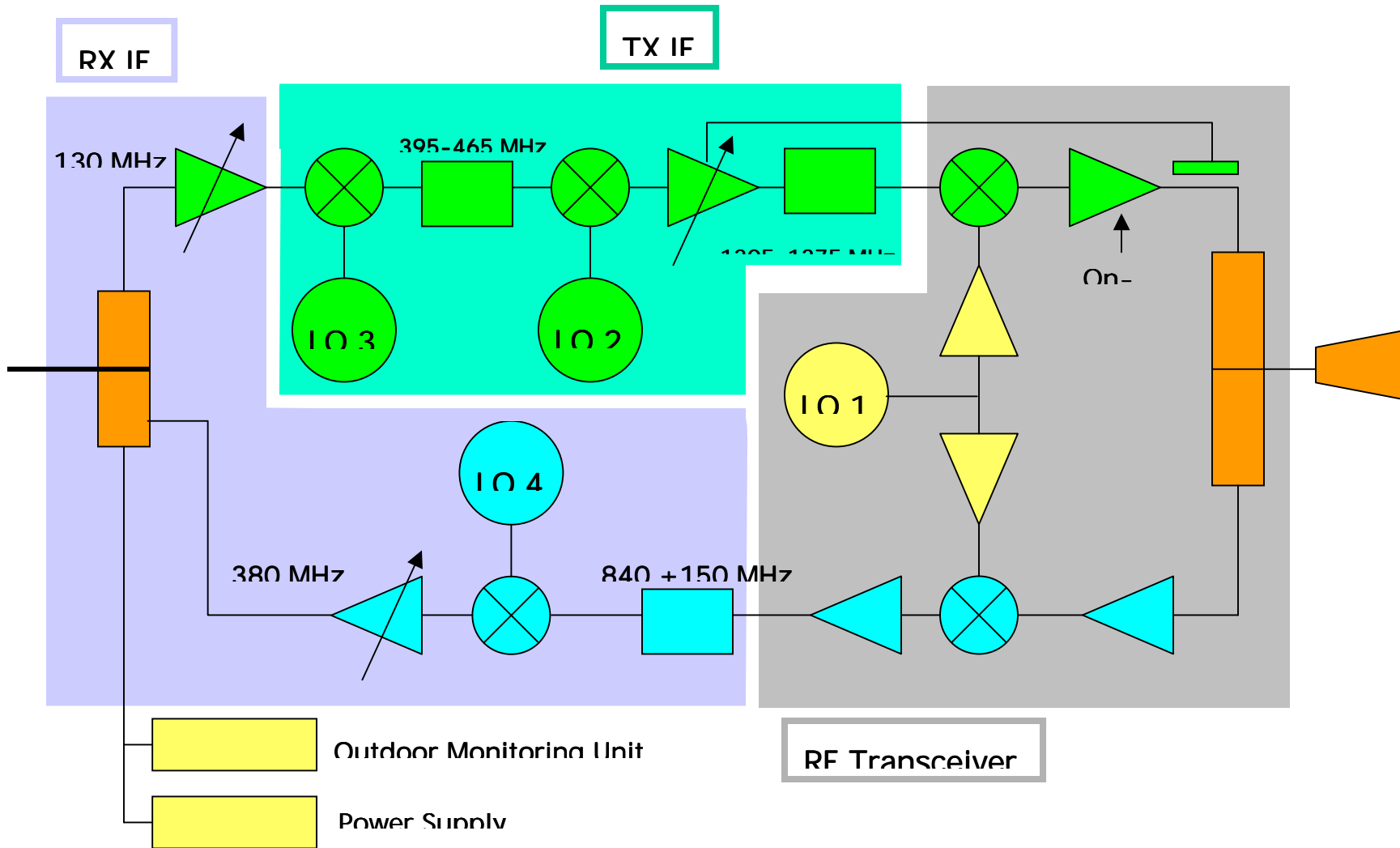
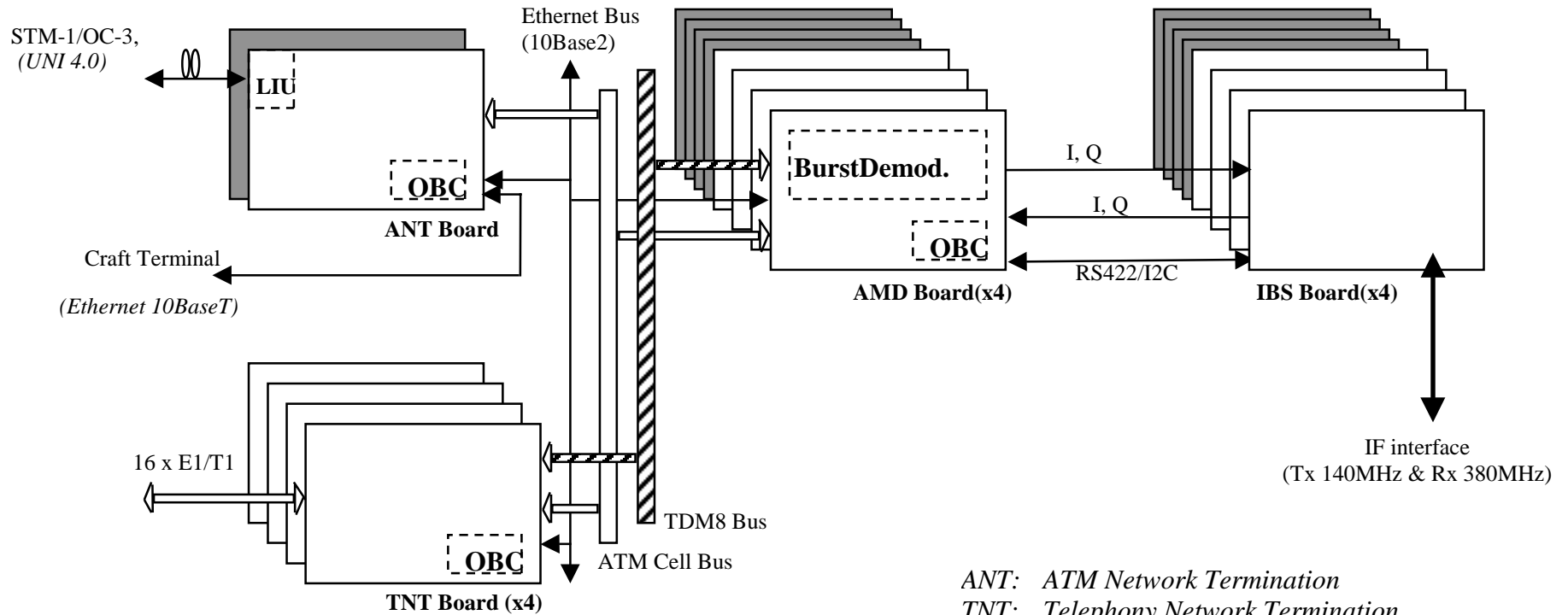


Exhibit 2

LO 1 = 26660-27010 MHz or
27760-27910 MHz

LO 2 = 910 MHz

LO 3 = 560 MHz



ANT: ATM Network Termination
TNT: Telephony Network Termination
AMD: Air Modulator/Demodulator
IBS: IF Base Station
LIU: Line Interface Unit
OBC: On-Board Controller

Power supply blocks are not shown

Exhibit 3