

Exhibit 1 - RBS Internal

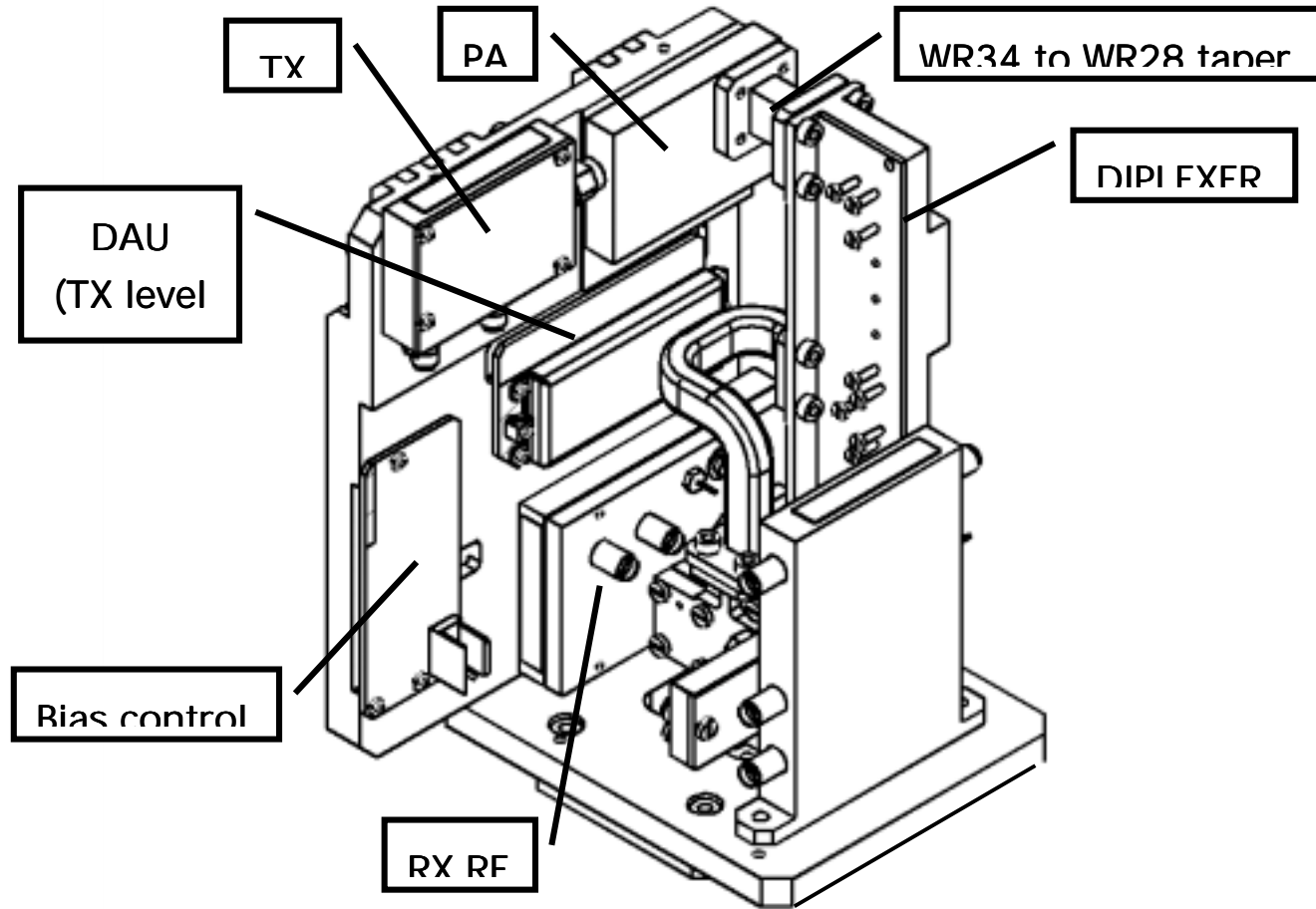


Exhibit 2 - RF Front End