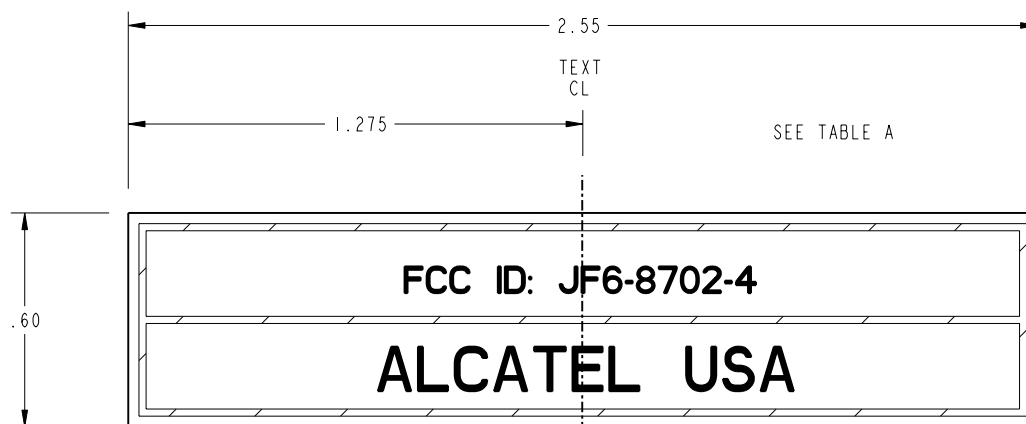


NOTE:

1. SPACE OR USAGE PRECLUDES IDENT MARKING.
2. MATERIAL: SCOTCHCAL 220 SERIES SILVER-GRAY, PRESSURE SENSITIVE VINYL OR EQUIVALENT, CHARACTERS AND BORDERS TO BE BLACK.
3. LOCATE TEXT AND LINES ON LABEL APPROX AS SHOWN.

EXHIBIT IA



AAAA

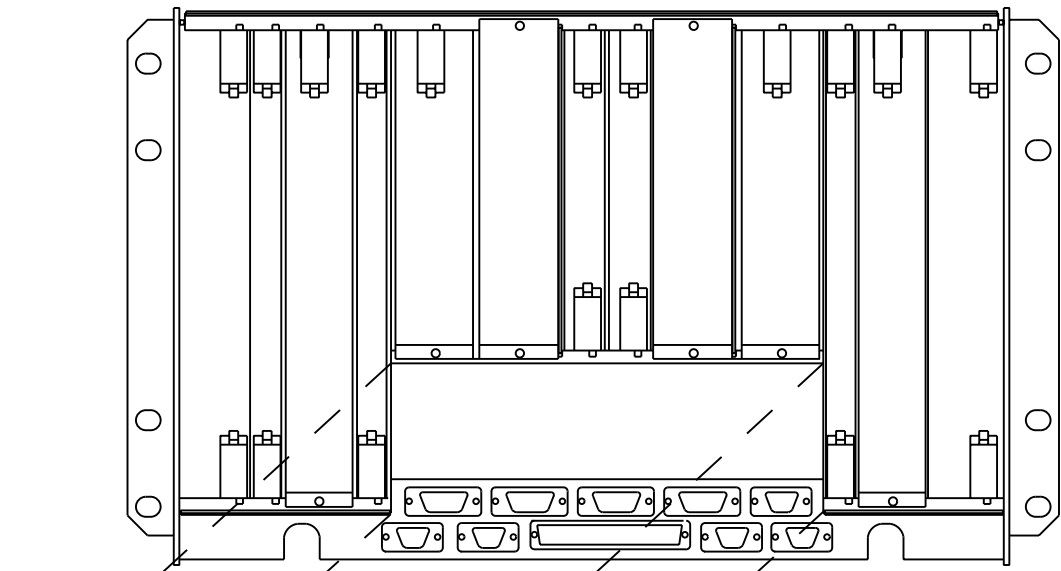
ALCATEL CONFIDENTIAL & PROPRIETARY INFORMATION. CONTAINS TRADE SECRET INFORMATION WHICH IS THE PROPERTY OF ALCATEL AND MUST NOT BE MADE AVAILABLE TO, OR COPIED OR USED BY ANYONE OUTSIDE ALCATEL WITHOUT ITS WRITTEN AUTHORIZATION.

THIS TRANSFER OF COMMODITIES, TECHNOLOGY OR SOFTWARE, IF FROM THE UNITED STATES, IS AN EXPORT IN ACCORDANCE WITH THE U.S. EXPORT ADMINISTRATION REGULATIONS. DIVERSION CONTRARY TO U.S. LAW PROHIBITED. THE EXPORT OF RE-EXPORT (FURTHER TRANSFER) OF SUCH COMMODITIES, TECHNOLOGY, SOFTWARE OR PRODUCTS MADE FROM SUCH TECHNOLOGY IS PROHIBITED WITHOUT PROPER AUTHORIZATION(S) FROM THE U.S. DEPARTMENT OF COMMERCE OR OTHER APPROPRIATE U.S. GOVERNMENT AGENCY(S).

<p>ITEM BALLOON LEGEND</p>	<p>UNLESS OTHERWISE SPECIFIED: ALL DIMENSIONS ARE IN INCHES. DEFAULT TOLERANCE ON DIMENSIONS: XX ± 0.02, XXX ± 0.000</p>		<p>MATERIAL SEE NOTE 2</p>		FINISH	GEN TOL	
	<p>TOLERANCE ON HOLE DIAMETERS: UNDER 0.251 DIA. ± 0.005 0.251 TO .500 DIA. ± 0.006/-0.005 OVER 0.500 DIA. ± 0.008/-0.005</p>		ED DATE	01	2002	JUL 01	
	<p>TOLERANCE ON ANGLES: ± 1°</p>		CHANGE NOTE	EMR10841			
	<p>CONCENTRICITY BETWEEN DIA ON A COMMON AXIS TO BE WITHIN .010.</p>		APPR. AUTHOR.	S. CARSON -NSIDS			
<p>PART SHALL COMPLY TO 580-5400-001.</p>		ORIGINATOR	O. TORREZ -NSIDS				
				LABEL, FCC			
		SCALE	4.000		3EM 16212 0000 HCZZA	SHEET 1 OF 3	

ALCATEL

MDR-8000 RADIO



FCC ID: JF6-8702-4
ALCATEL USA

ALCATEL CONFIDENTIAL & PROPRIETARY INFORMATION. CONTAINS TRADE SECRET INFORMATION WHICH IS THE PROPERTY OF ALCATEL AND MUST NOT BE MADE AVAILABLE TO, OR COPIED OR USED BY ANYONE OUTSIDE ALCATEL WITHOUT ITS WRITTEN AUTHORIZATION.

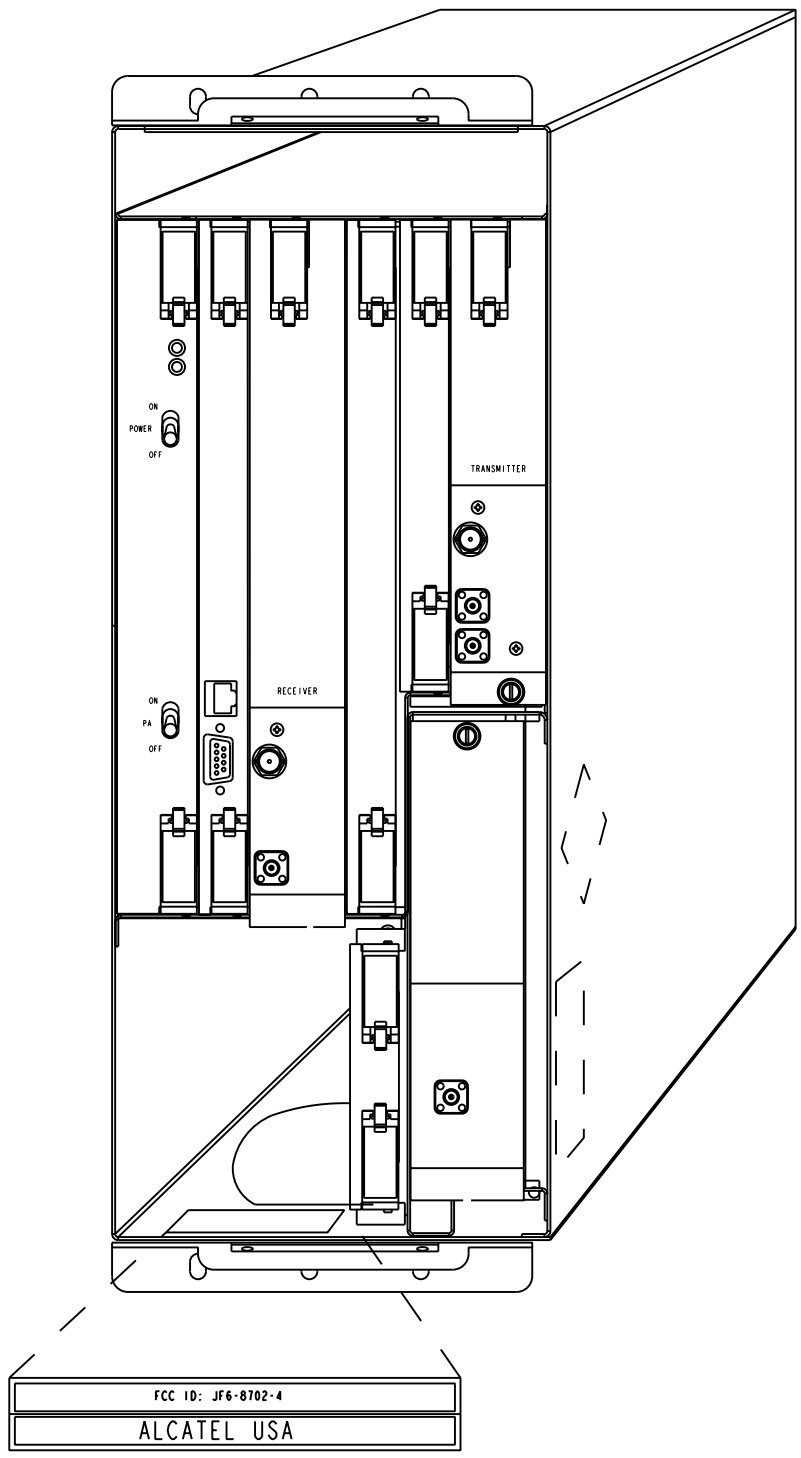
THIS TRANSFER OF COMMODITIES, TECHNOLOGY OR SOFTWARE, IF FROM THE UNITED STATES, IS AN EXPORT IN ACCORDANCE WITH THE U.S. EXPORT ADMINISTRATION REGULATIONS. DIVERSION CONTRARY TO U.S. LAW PROHIBITED. THE EXPORT OR RE-EXPORT OF SUCH COMMODITIES, TECHNOLOGY, SOFTWARE OR PRODUCTS MADE FROM SUCH TECHNOLOGY IS PROHIBITED WITHOUT PROPER AUTHORIZATION(S) FROM THE U.S. DEPARTMENT OF COMMERCE OR OTHER APPROPRIATE U.S. GOVERNMENT AGENCY(IES).

ED	01	SCALE	4.000	3EM 11473 AAAA HCZZA	SHEET	2 of 3
----	----	-------	-------	----------------------	-------	--------

ALCATEL CONFIDENTIAL & PROPRIETARY INFORMATION. CONTAINS TRADE SECRET INFORMATION WHICH IS THE PROPERTY OF ALCATEL AND MUST NOT BE MADE AVAILABLE TO, OR COPIED OR USED BY ANYONE OUTSIDE ALCATEL WITHOUT ITS WRITTEN AUTHORIZATION.

ALCATEL

MDR-8000 CommPak DIGITAL RADIO



THIS TRANSFER OF COMMODITIES, TECHNOLOGY OR SOFTWARE, IF FROM THE UNITED STATES, IS AN EXPORT IN ACCORDANCE WITH THE U.S. EXPORT ADMINISTRATION REGULATIONS. DIVERSION CONTRARY TO U.S. LAW PROHIBITED. THE EXPORT OR RE-EXPORT OF SUCH COMMODITIES, TECHNOLOGY, SOFTWARE OR PRODUCTS MADE FROM SUCH TECHNOLOGY IS PROHIBITED WITHOUT PROPER AUTHORIZATION(S) FROM THE U.S. DEPARTMENT OF COMMERCE OR OTHER APPROPRIATE U.S. GOVERNMENT AGENCY(IES).

IAA 0004 0000 ASZJA 197113 02 PRO-E

ED	01	SCALE	4.000	3EM 11473 AAAA HCZZA	SHEET	3 of 3
----	----	-------	-------	----------------------	-------	--------