

- NOTES:
1. ALL ELECTRICAL SIGNAL NAMES AND COMPONENTS ARE LISTED IN THE CROSS REFERENCE TABLES.
 2. UNLESS OTHERWISE SPECIFIED:
ALL RESISTANCE VALUES ARE IN OHMS
ALL CAPACITANCE VALUES ARE IN MICROFARADS
ALL INDUCTANCE VALUES ARE IN MICROHENRIES
 3. INTEGRATED CIRCUIT TYPE NUMBERS SHOWN ARE THOSE NORMALLY EQUIPPED. EQUIVALENT TYPES MAY BE SUBSTITUTED AT TIME OF MANUFACTURE WITH APPROVAL OF ALCATEL COMPONENT APPLICATION ENGINEERING.



MODULATOR BASEBAND XMTR

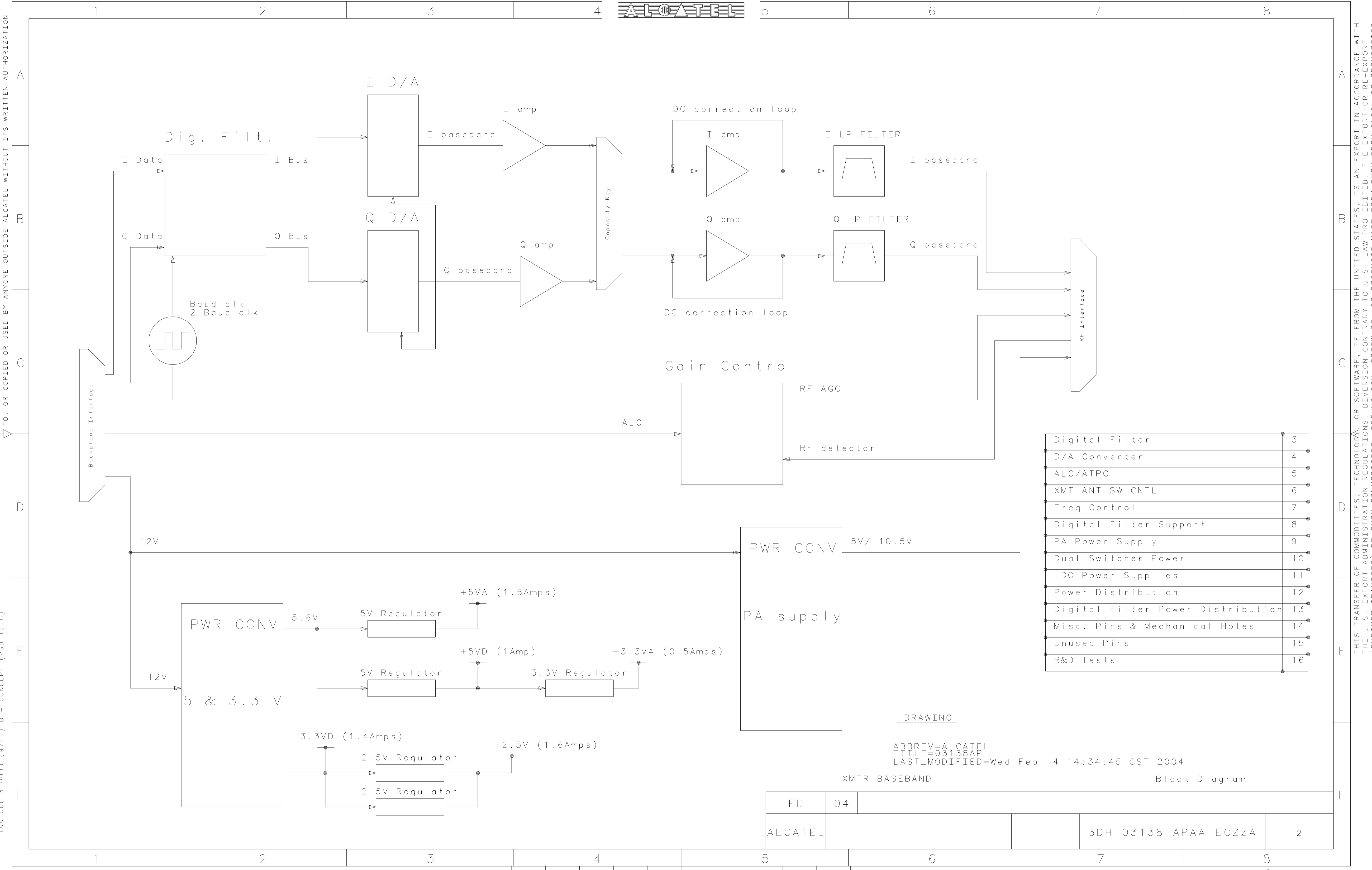
DRAWING

ABBREV=ALCATEL
TITLE=03138AP
LAST_MODIFIED=Wed Feb 4 14:42:40 2004

PBA_FAMILY=3DH03139
VAR_TABLE1=ALAB L6GHz, U6GHz baseband
VAR_TABLE2=AMAB 8GHz, 11GHz, 2GHz
(DS1, E1, DS3)

ED	REL DATE	02	030416	03	031007	04	040203
CHANGE NOTE		F44044		F44418		F44841	
APPRA AUTHO		Duane Mortensen		Duane Mortensen		Duane Mortensen	
ORIGINATOR		Rachel Such		Rachel Such		Rachel Such	
ALCATEL		MDR-8000 UD-35AN			SCHEMATIC DIAGRAM XMTR BASEBAND		
				3DH 03138 APAA ECZZA			1/20

THIS TRANSFER OF COMMODITIES, TECHNOLOGY, OR SOFTWARE, IF FROM THE UNITED STATES, IS AN EXPORT IN ACCORDANCE WITH THE U.S. EXPORT ADMINISTRATION REGULATIONS. DIVERSION CONTRARY TO U.S. LAW PROHIBITED. THE EXPORT OR RE-EXPORT (FURTHER TRANSFER) OF SUCH COMMODITIES, TECHNOLOGY, SOFTWARE, OR PRODUCTS MADE FROM SUCH TECHNOLOGY IS PROHIBITED WITHOUT PROPER AUTHORIZATION(S) FROM THE U.S. DEPARTMENT OF COMMERCE OR OTHER APPROPRIATE U.S. GOVERNMENT AGENCY(S).



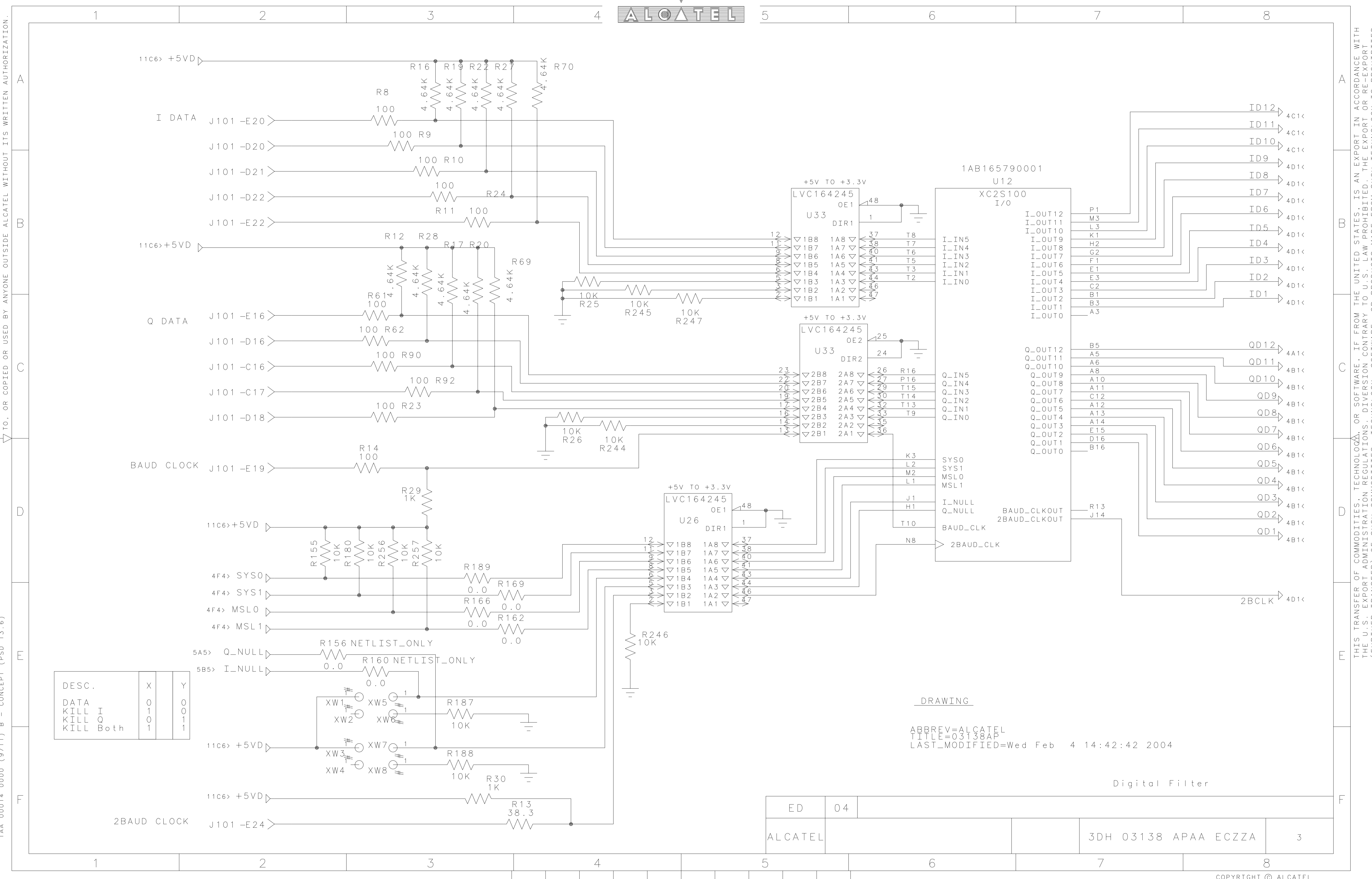
Digital Filter	3
D/A Converter	4
ALC/ATPC	5
XMT ANT SW CNTL	6
Freq Control	7
Digital Filter Support	8
PA Power Supply	9
Dual Switcher Power	10
LDO Power Supplies	11
Power Distribution	12
Digital Filter Power Distribution	13
Misc. Pins & Mechanical Holes	14
Unused Pins	15
R&D Tests	16

DRAWING
 ABBREV=ALCATEL
 TITLE=03138AP
 LAST_MODIFIED=Wed Feb 4 14:34:45 CST 2004

ED	04			
ALCATEL			3DH 03138 APAA ECZZA	2

1AA 00014 0000 (9711) B - CONCEPT (PSD 13.6)

THIS TRANSFER OF COMMODITIES, TECHNOLOGY, OR SOFTWARE, IF FROM THE UNITED STATES, IS AN EXPORT IN ACCORDANCE WITH THE U.S. EXPORT ADMINISTRATION REGULATIONS. DIVERSION CONTRARY TO U.S. LAW PROHIBITED. THE EXPORT OR RE-EXPORT (FURTHER TRANSFER) OF SUCH COMMODITIES, TECHNOLOGY, SOFTWARE, OR PRODUCTS MADE FROM SUCH TECHNOLOGY IS PROHIBITED WITHOUT PROPER AUTHORIZATION(S) FROM THE U.S. DEPARTMENT OF COMMERCE OR OTHER APPROPRIATE U.S. GOVERNMENT AGENCY(S).



DESC.	X	Y
DATA	0	0
KILL I	1	0
KILL BO	0	1
KILL Both	1	1

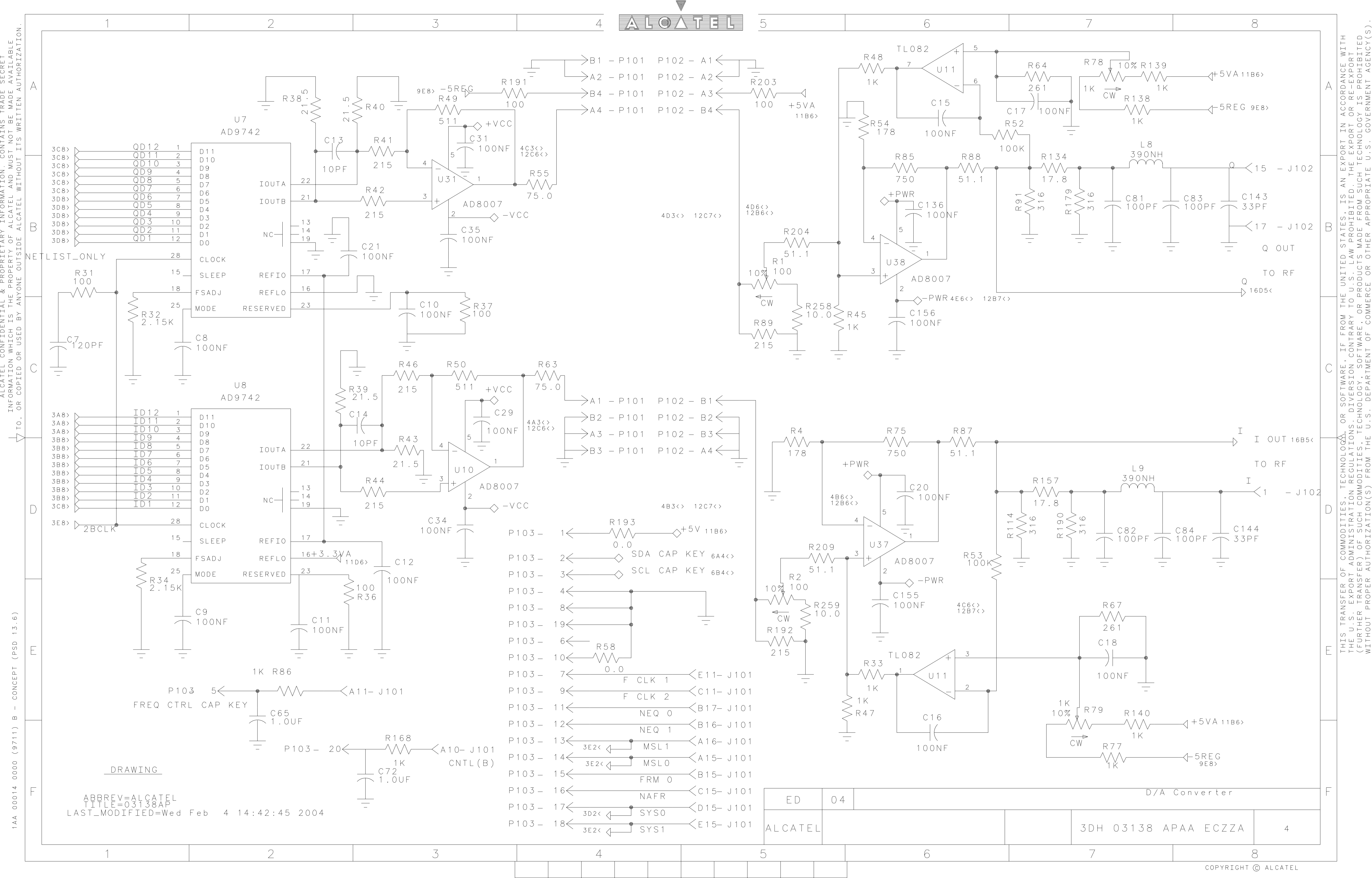
DRAWING
 ABBREV=ALCATEL
 TITLE=03138AP
 LAST_MODIFIED=Wed Feb 4 14:42:42 2004

Digital Filter

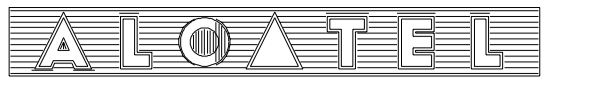
ED	04			
ALCATEL		3DH 03138 APAA ECZZA		3

1AA 00014 0000 (9711) B - CONCEPT (PSD 13.6)

THIS TRANSFER OF COMMODITIES, TECHNOLOGY OR SOFTWARE, IF FROM THE UNITED STATES, IS AN EXPORT IN ACCORDANCE WITH THE U.S. EXPORT ADMINISTRATION REGULATIONS. DIVERSION CONTRARY TO U.S. LAW PROHIBITED. THE EXPORT OR RE-EXPORT (FURTHER TRANSFER) OF SUCH COMMODITIES, TECHNOLOGY, SOFTWARE, OR PRODUCTS MADE FROM SUCH TECHNOLOGY IS PROHIBITED WITHOUT PROPER AUTHORIZATION(S) FROM THE U.S. DEPARTMENT OF COMMERCE OR OTHER APPROPRIATE U.S. GOVERNMENT AGENCY(S).



1AA 00014 0000 (9711) B - CONCEPT (PSD 13.6)



DRAWING

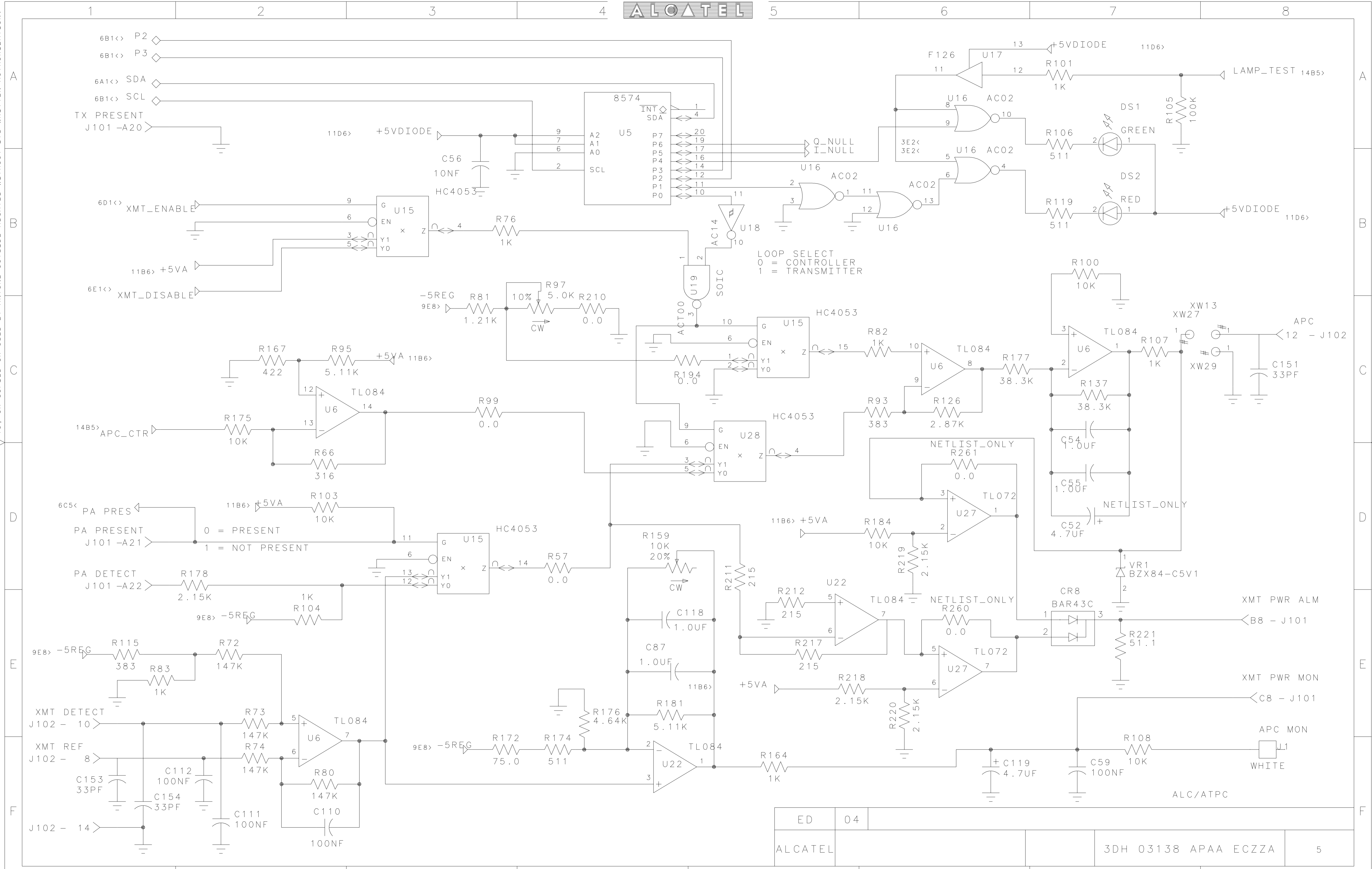
ABBREV=ALCATEL
 TITLE=03138AP
 LAST_MODIFIED=Wed Feb 4 14:42:45 2004

- P103 - 1 ← R193 0.0 → +5V 11B6<>
- P103 - 2 ← SDA CAP KEY 6A4<>
- P103 - 3 ← SCL CAP KEY 6B4<>
- P103 - 4 ←
- P103 - 8 ←
- P103 - 19 ←
- P103 - 6 ← R58 0.0
- P103 - 10 ←
- P103 - 7 ← F CLK 1 ← E11- J101
- P103 - 9 ← F CLK 2 ← C11- J101
- P103 - 11 ← NEQ 0 ← B17- J101
- P103 - 12 ← NEQ 1 ← B16- J101
- P103 - 13 ← 3E2<> MSL1 ← A16- J101
- P103 - 14 ← 3E2<> MSL0 ← A15- J101
- P103 - 15 ← FRM 0 ← B15- J101
- P103 - 16 ← NAFR ← C15- J101
- P103 - 17 ← 3D2<> SYS0 ← D15- J101
- P103 - 18 ← 3E2<> SYS1 ← E15- J101

ED	04	D/A Converter	
ALCATEL		3DH 03138 APAA ECZZA	4

THIS TRANSFER OF COMMODITIES, TECHNOLOGY, OR SOFTWARE, IF FROM THE UNITED STATES, IS AN EXPORT IN ACCORDANCE WITH THE U.S. EXPORT ADMINISTRATION REGULATIONS. DIVERSION CONTRARY TO U.S. LAW PROHIBITED. THE EXPORT OR RE-EXPORT (FURTHER TRANSFER) OF SUCH COMMODITIES, TECHNOLOGY, SOFTWARE, OR PRODUCTS MADE FROM SUCH TECHNOLOGY IS PROHIBITED WITHOUT PROPER AUTHORIZATION(S) FROM THE U.S. DEPARTMENT OF COMMERCE OR OTHER APPROPRIATE U.S. GOVERNMENT AGENCY(S).

14A 00014 0000 (9711) B - CONCEPT (PSD 13.6)

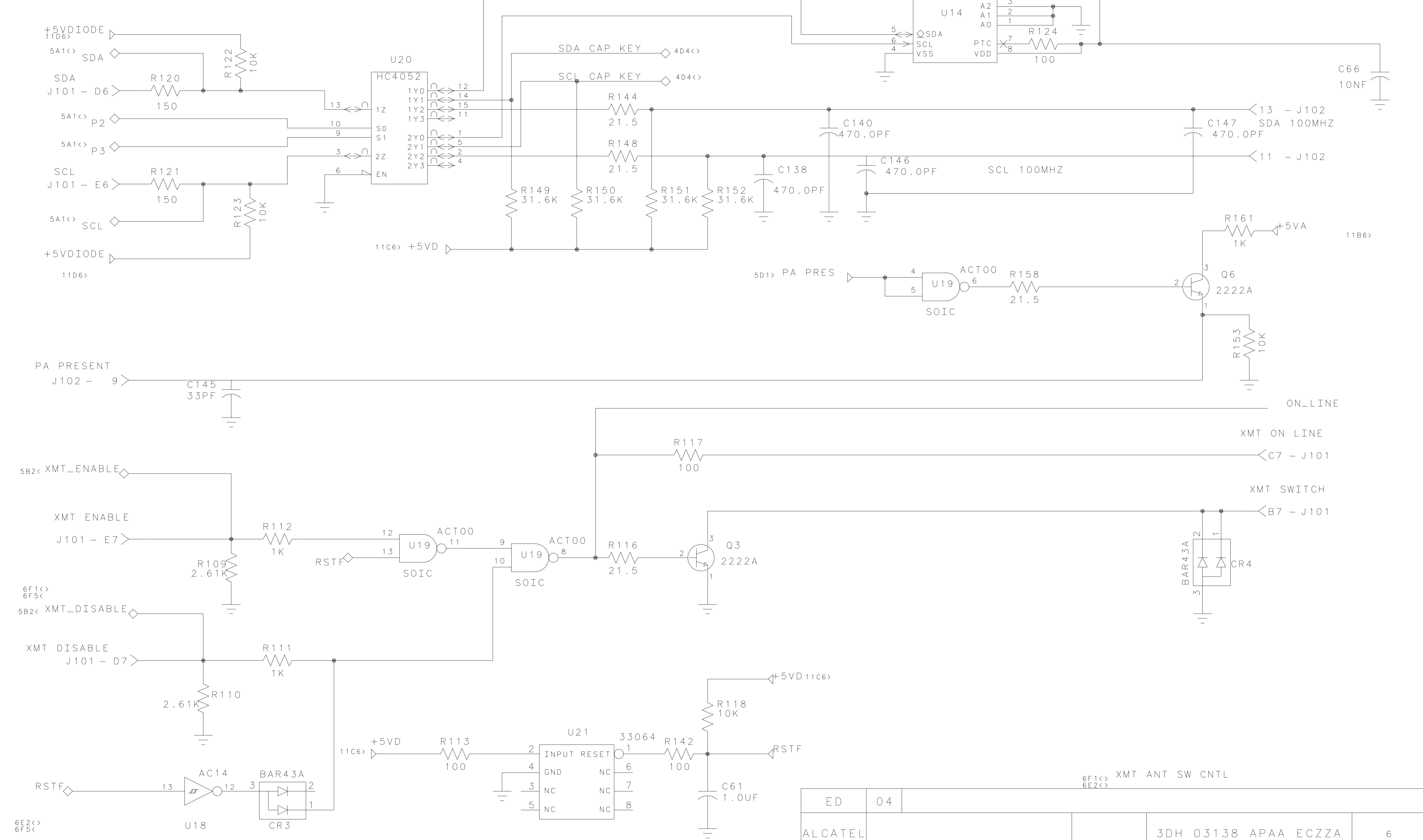


ED	04			
ALCATEL		3DH 03138 APAA ECZZA		5

THIS TRANSFER OF COMMODITIES, TECHNOLOGY, OR SOFTWARE, IF FROM THE UNITED STATES, IS AN EXPORT IN ACCORDANCE WITH THE U.S. EXPORT ADMINISTRATION REGULATIONS. DIVERSION CONTRARY TO U.S. LAW PROHIBITED. THE EXPORT OR RE-EXPORT (FURTHER TRANSFER) OF SUCH COMMODITIES, TECHNOLOGY, SOFTWARE, OR PRODUCTS MADE FROM SUCH TECHNOLOGY IS PROHIBITED WITHOUT PROPER AUTHORIZATION(S) FROM THE U.S. DEPARTMENT OF COMMERCE OR OTHER APPROPRIATE U.S. GOVERNMENT AGENCY(S).

EEPROM SEL (P2, P3)

- 00 = MOTHER BOARD
- 01 = CAP KEY
- 10 = 100 MHZ OSC



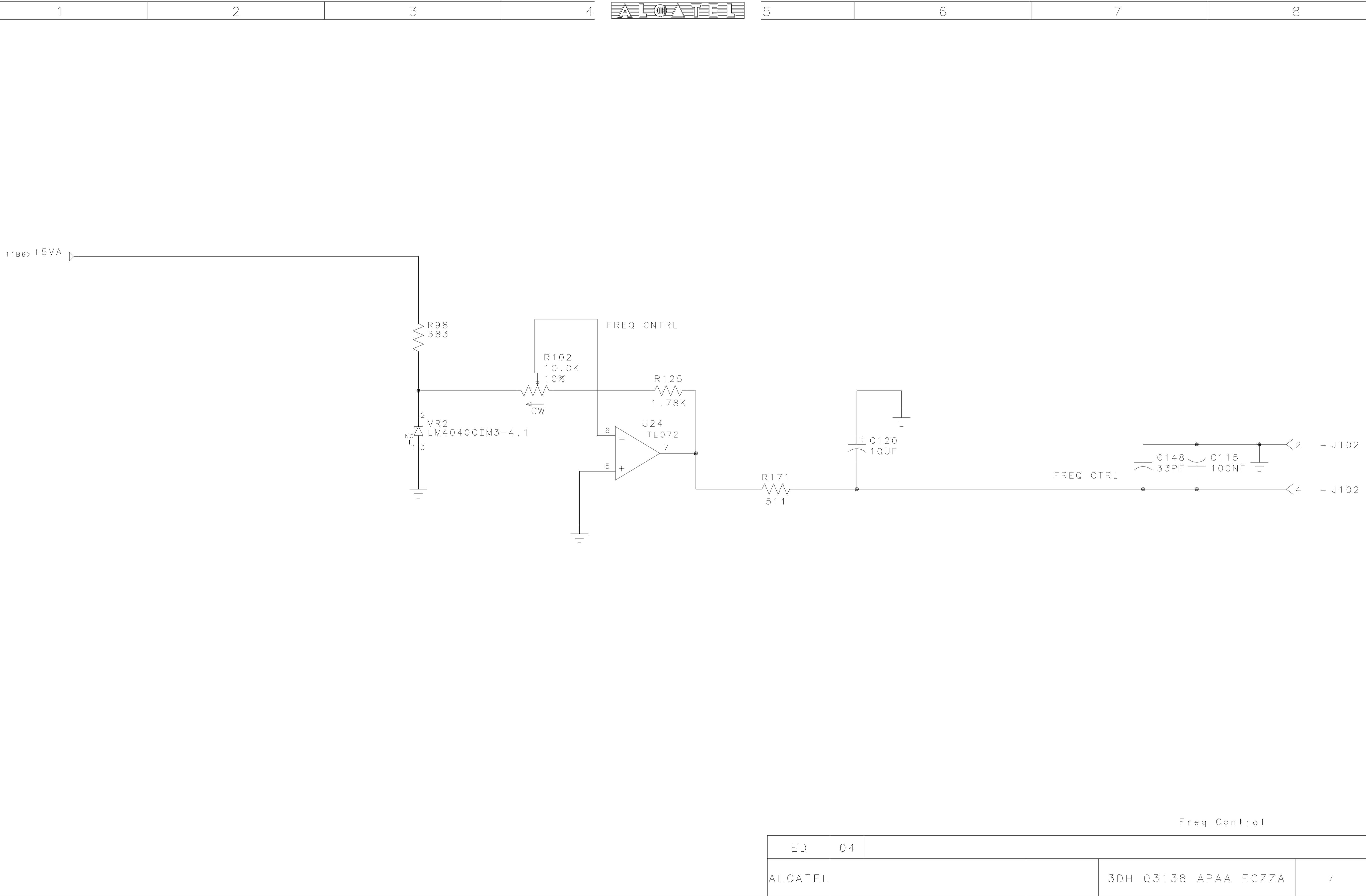
ED	04			
ALCATEL			3DH 03138 APAA ECZZA	6

14A 00014 0000 (9711) B - CONCEPT (PSD 13.6)

THIS TRANSFER OF COMMODITIES, TECHNOLOGY, OR SOFTWARE, IF FROM THE UNITED STATES, IS AN EXPORT IN ACCORDANCE WITH THE U.S. EXPORT ADMINISTRATION REGULATIONS. DIVERSION CONTRARY TO U.S. LAW PROHIBITED. THE EXPORT OR RE-EXPORT (FURTHER TRANSFER) OF SUCH COMMODITIES, TECHNOLOGY, SOFTWARE, OR PRODUCTS MADE FROM SUCH TECHNOLOGY IS PROHIBITED WITHOUT PROPER AUTHORIZATION(S) FROM THE U.S. DEPARTMENT OF COMMERCE OR OTHER APPROPRIATE U.S. GOVERNMENT AGENCY(S).

ALCATEL CONFIDENTIAL & PROPRIETARY INFORMATION. CONTAINS TRADE SECRET INFORMATION WHICH IS THE PROPERTY OF ALCATEL AND MUST NOT BE MADE AVAILABLE TO, OR COPIED OR USED BY ANYONE OUTSIDE ALCATEL WITHOUT ITS WRITTEN AUTHORIZATION.

1AA 00014 0000 (9711) B - CONCEPT (PSD 13.6)

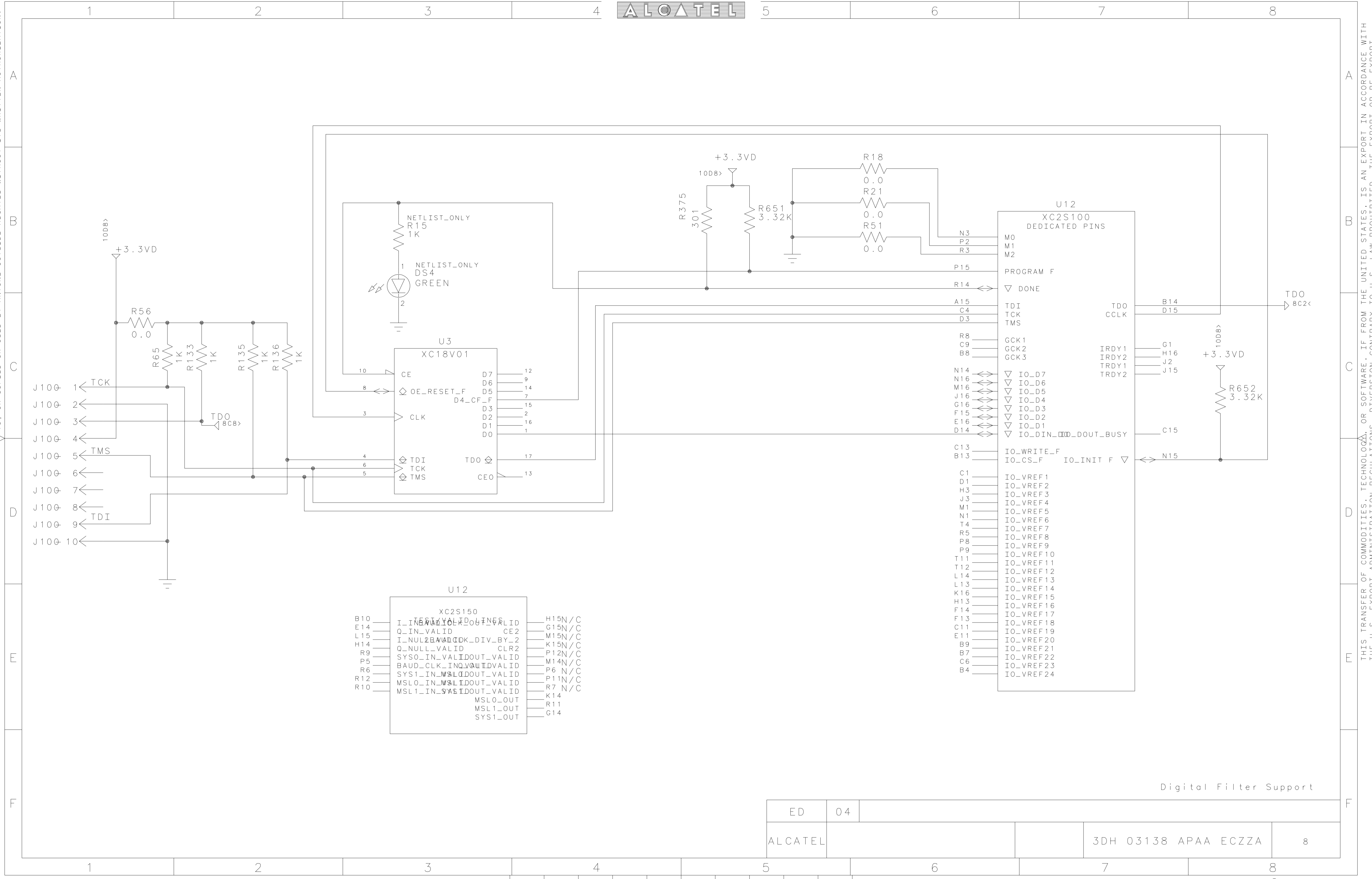


THIS TRANSFER OF COMMODITIES, TECHNOLOGY, OR SOFTWARE, IF FROM THE UNITED STATES, IS AN EXPORT IN ACCORDANCE WITH THE U.S. EXPORT ADMINISTRATION REGULATIONS. DIVERSION CONTRARY TO U.S. LAW PROHIBITED. THE EXPORT OR RE-EXPORT (FURTHER TRANSFER) OF SUCH COMMODITIES, TECHNOLOGY, SOFTWARE, OR PRODUCTS MADE FROM SUCH TECHNOLOGY IS PROHIBITED WITHOUT PROPER AUTHORIZATION(S) FROM THE U.S. DEPARTMENT OF COMMERCE OR OTHER APPROPRIATE U.S. GOVERNMENT AGENCY(S).

ED	04			
ALCATEL		3DH 03138 APAA ECZZA	7	

Freq Control

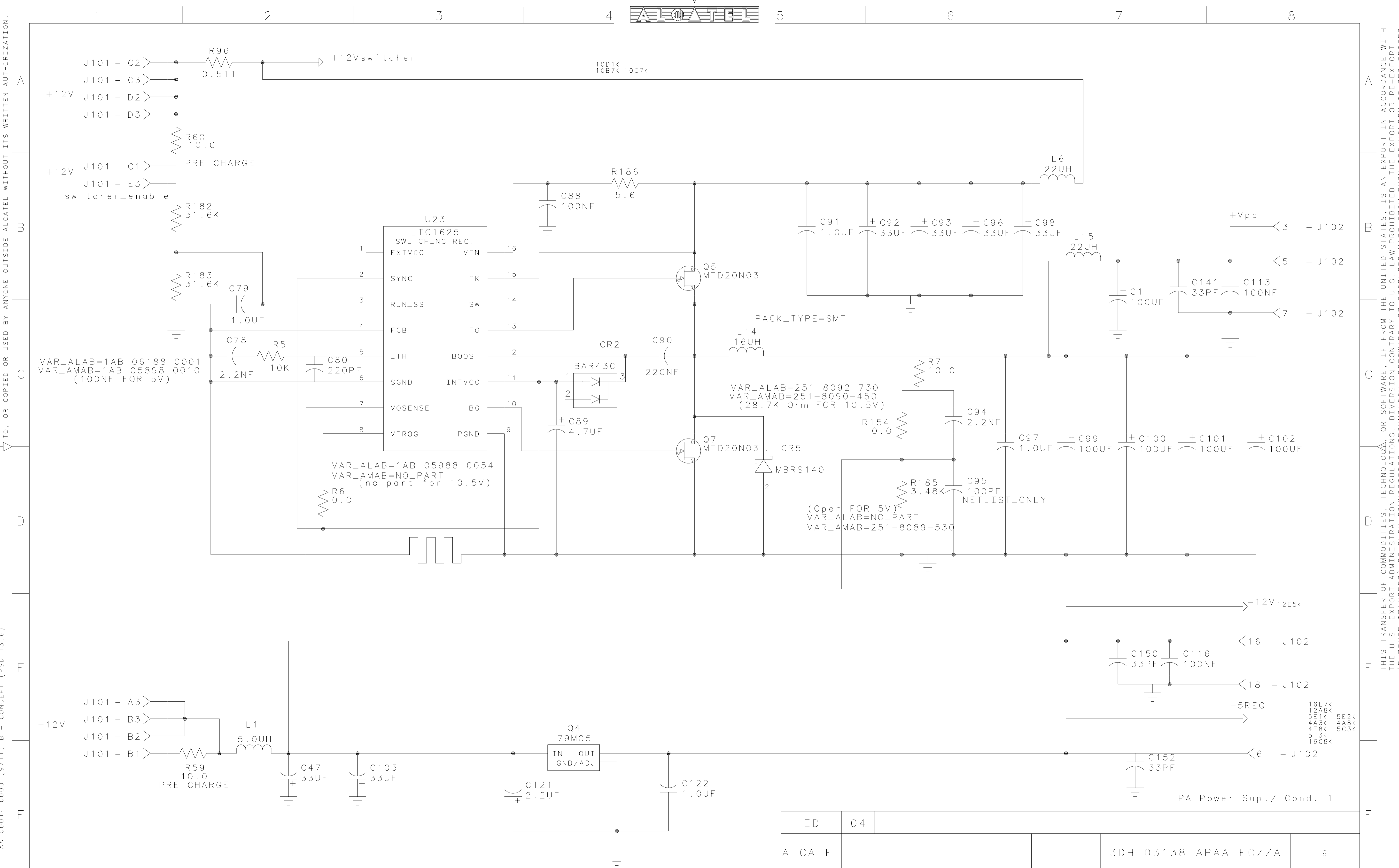
1AA 00014 0000 (9711) B - CONCEPT (PSD 13.6)



ED	04			
ALCATEL			3DH 03138 APAA ECZZA	8

Digital Filter Support

THIS TRANSFER OF COMMODITIES, TECHNOLOGY OR SOFTWARE, IF FROM THE UNITED STATES, IS AN EXPORT IN ACCORDANCE WITH THE U.S. EXPORT ADMINISTRATION REGULATIONS. DIVERSION CONTRARY TO U.S. LAW PROHIBITED. THE EXPORT OR RE-EXPORT (FURTHER TRANSFER) OF SUCH COMMODITIES, TECHNOLOGY, SOFTWARE, OR PRODUCTS MADE FROM SUCH TECHNOLOGY IS PROHIBITED WITHOUT PROPER AUTHORIZATION(S) FROM THE U.S. DEPARTMENT OF COMMERCE OR OTHER APPROPRIATE U.S. GOVERNMENT AGENCY(S).

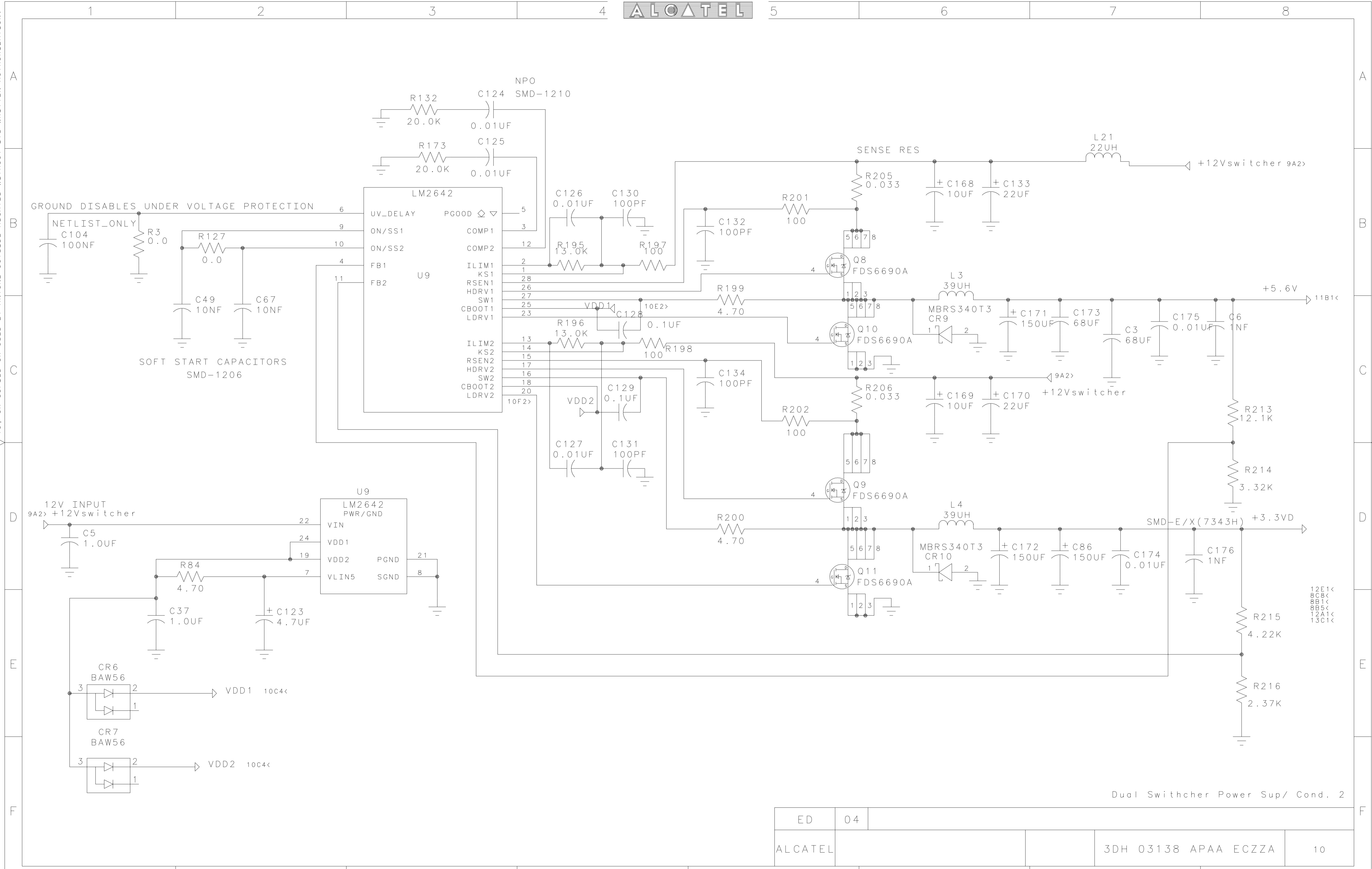


1AA 00014 0000 (9711) B - CONCEPT (PSD 13.6)

THIS TRANSFER OF COMMODITIES, TECHNOLOGY, OR SOFTWARE, IF FROM THE UNITED STATES, IS AN EXPORT IN ACCORDANCE WITH THE U.S. EXPORT ADMINISTRATION REGULATIONS. DIVERSION CONTRARY TO U.S. LAW PROHIBITED. THE EXPORT OR RE-EXPORT (FURTHER TRANSFER) OF SUCH COMMODITIES, TECHNOLOGY, SOFTWARE, OR PRODUCTS MADE FROM SUCH TECHNOLOGY IS PROHIBITED WITHOUT PROPER AUTHORIZATION(S) FROM THE U.S. DEPARTMENT OF COMMERCE OR OTHER APPROPRIATE U.S. GOVERNMENT AGENCY(S).

ED	04						
ALCATEL						3DH 03138 APAA ECZZA	9

1AA 00014 0000 (9711) B - CONCEPT (PSD 13.6)

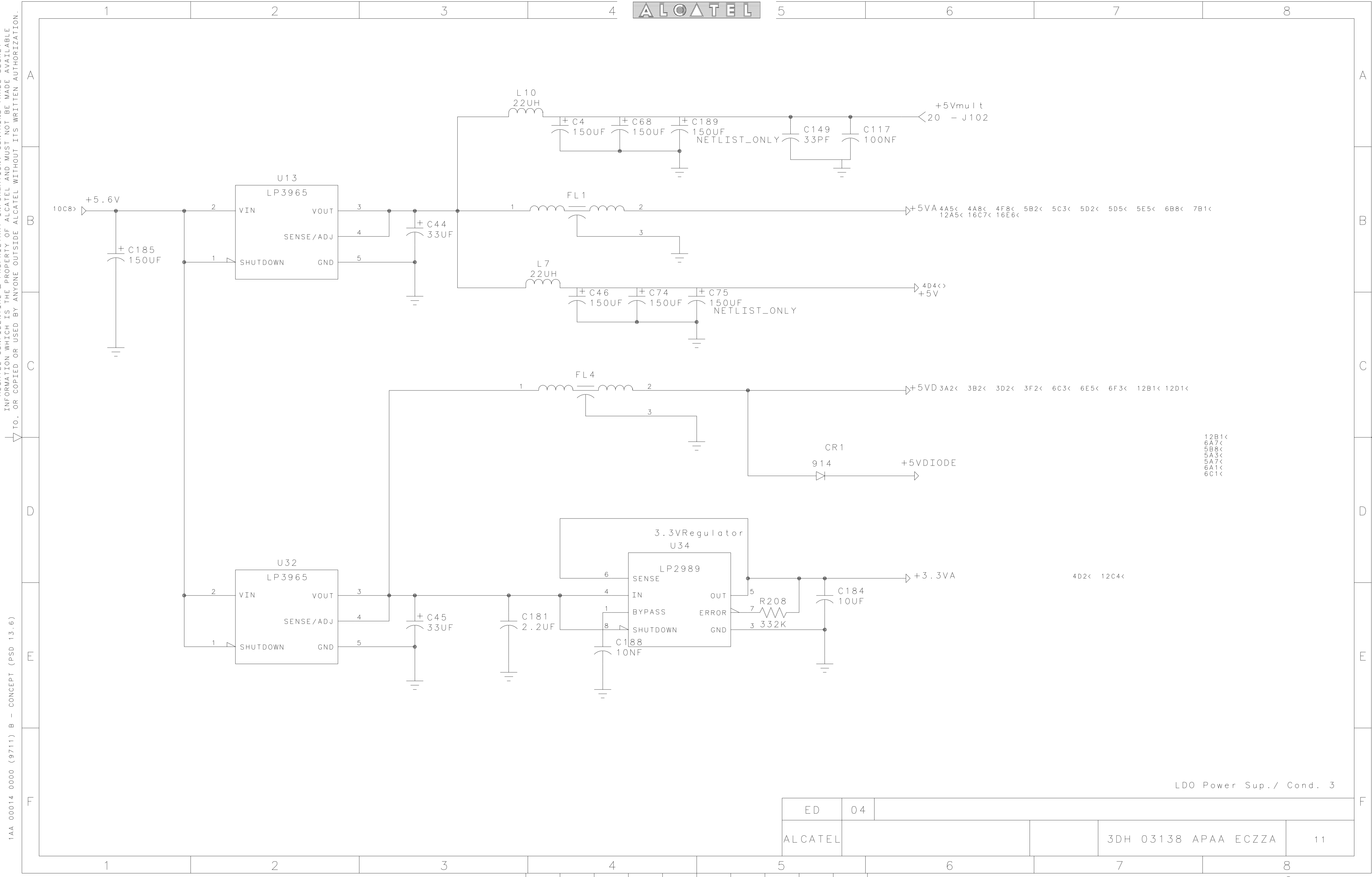


THIS TRANSFER OF COMMODITIES, TECHNOLOGY, OR SOFTWARE, IF FROM THE UNITED STATES, IS AN EXPORT IN ACCORDANCE WITH THE U.S. EXPORT ADMINISTRATION REGULATIONS. DIVERSION CONTRARY TO U.S. LAW PROHIBITED. THE EXPORT OR RE-EXPORT (FURTHER TRANSFER) OF SUCH COMMODITIES, TECHNOLOGY, SOFTWARE, OR PRODUCTS MADE FROM SUCH TECHNOLOGY IS PROHIBITED WITHOUT PROPER AUTHORIZATION(S) FROM THE U.S. DEPARTMENT OF COMMERCE OR OTHER APPROPRIATE U.S. GOVERNMENT AGENCY(S).

ED	04			
ALCATEL		3DH 03138 APAA ECZZA		10

ALCATEL CONFIDENTIAL & PROPRIETARY INFORMATION. CONTAINS TRADE SECRET INFORMATION WHICH IS THE PROPERTY OF ALCATEL AND MUST NOT BE MADE AVAILABLE TO, OR COPIED OR USED BY ANYONE OUTSIDE ALCATEL WITHOUT ITS WRITTEN AUTHORIZATION.

1AA 00014 0000 (9711) B - CONCEPT (PSD 13.6)

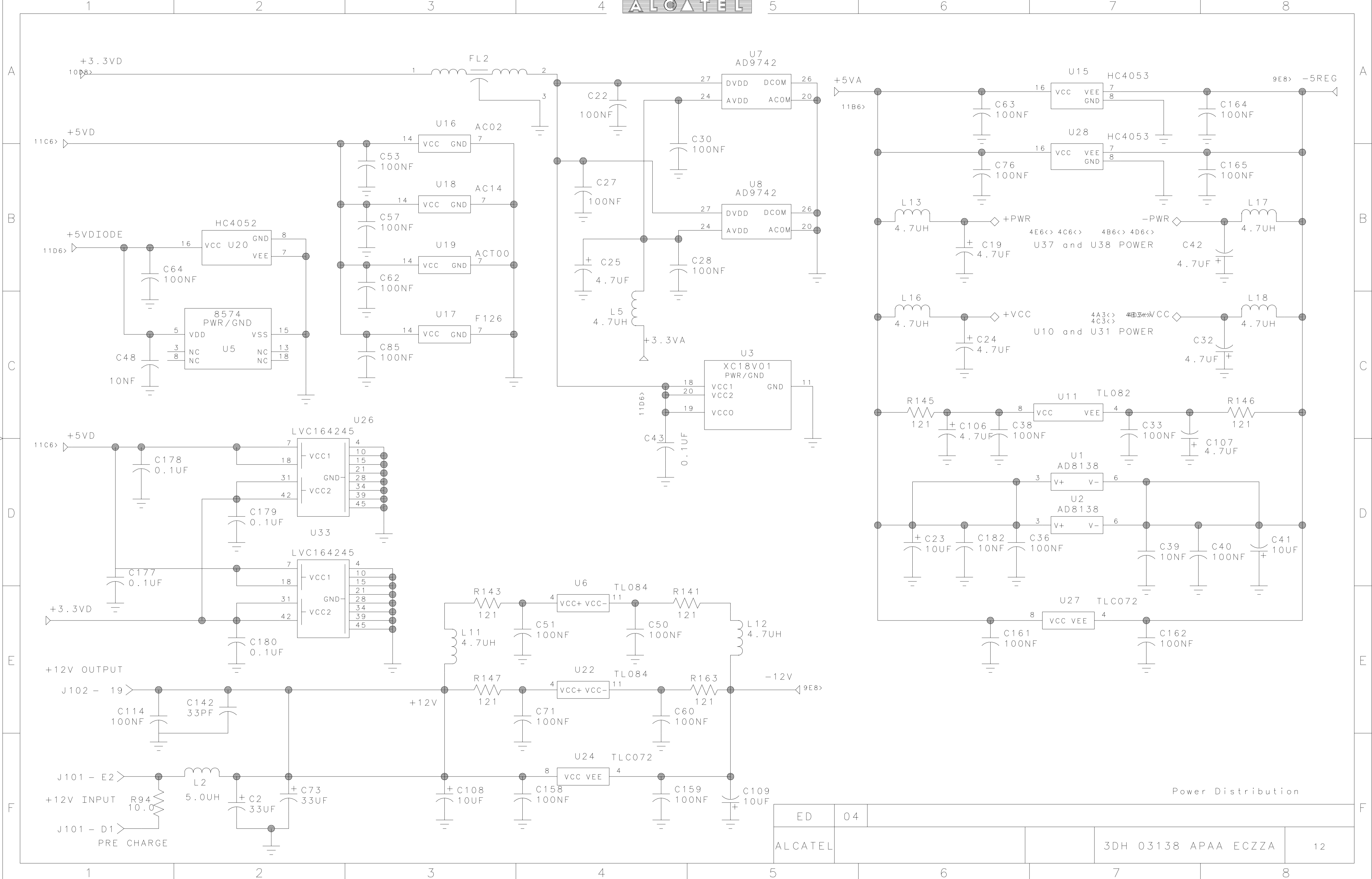


LDO Power Sup./ Cond. 3

ED	04			
ALCATEL			3DH 03138 APAA ECZZA	11

THIS TRANSFER OF COMMODITIES, TECHNOLOGY, OR SOFTWARE, IF FROM THE UNITED STATES, IS AN EXPORT IN ACCORDANCE WITH THE U.S. EXPORT ADMINISTRATION REGULATIONS. DIVERSION CONTRARY TO U.S. LAW PROHIBITED. THE EXPORT OR RE-EXPORT (FURTHER TRANSFER) OF SUCH COMMODITIES, TECHNOLOGY, SOFTWARE, OR PRODUCTS MADE FROM SUCH TECHNOLOGY IS PROHIBITED WITHOUT PROPER AUTHORIZATION(S) FROM THE U.S. DEPARTMENT OF COMMERCE OR OTHER APPROPRIATE U.S. GOVERNMENT AGENCY(S).

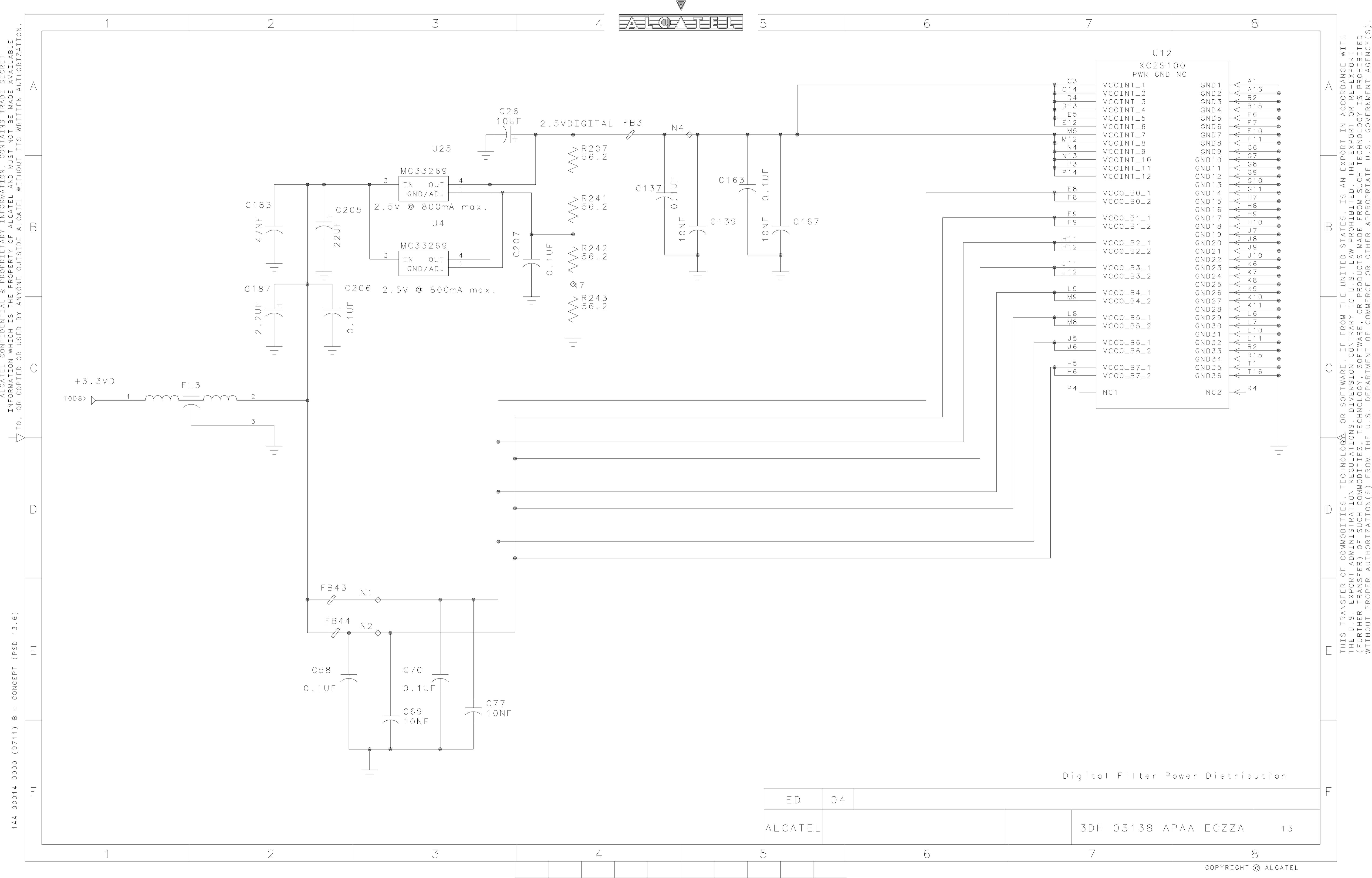
ALCATEL CONFIDENTIAL & PROPRIETARY INFORMATION. CONTAINS TRADE SECRET INFORMATION WHICH IS THE PROPERTY OF ALCATEL AND MUST NOT BE MADE AVAILABLE TO, OR COPIED OR USED BY ANYONE OUTSIDE ALCATEL WITHOUT ITS WRITTEN AUTHORIZATION.



ED	04			
ALCATEL		3DH 03138 APAA ECZZA		12

1AA 00014 0000 (9711) B - CONCEPT (PSD 13.6)

THIS TRANSFER OF COMMODITIES, TECHNOLOGY, OR SOFTWARE, IF FROM THE UNITED STATES, IS AN EXPORT IN ACCORDANCE WITH THE U.S. EXPORT ADMINISTRATION REGULATIONS. DIVERSION CONTRARY TO U.S. LAW PROHIBITED. THE EXPORT OR RE-EXPORT (FURTHER TRANSFER) OF SUCH COMMODITIES, TECHNOLOGY, SOFTWARE, OR PRODUCTS MADE FROM SUCH TECHNOLOGY IS PROHIBITED WITHOUT PROPER AUTHORIZATION(S) FROM THE U.S. DEPARTMENT OF COMMERCE OR OTHER APPROPRIATE U.S. AGENCY(S).

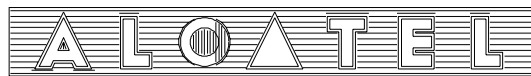
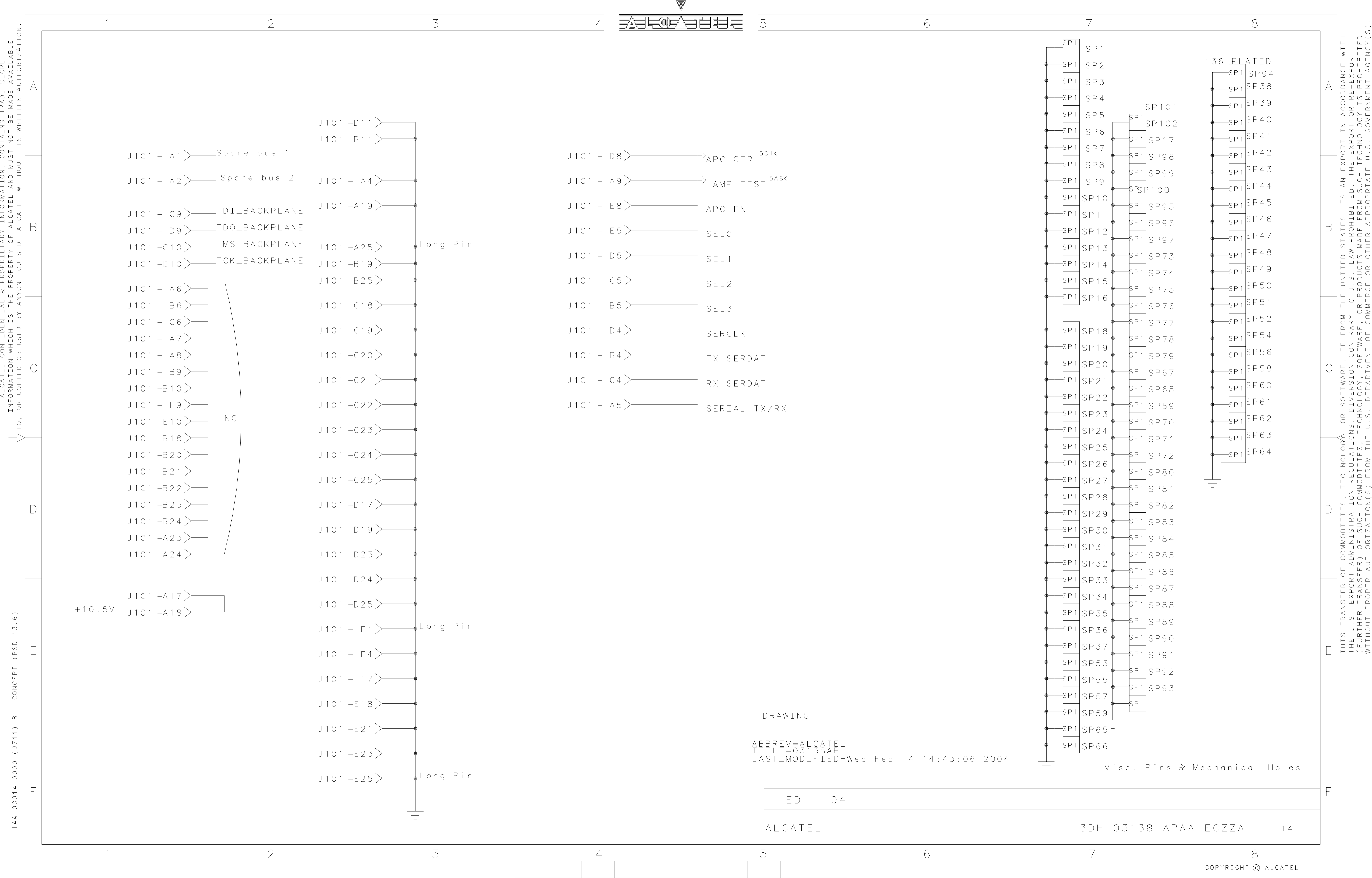


Digital Filter Power Distribution

ED	04			
ALCATEL			3DH 03138 APAA ECZZA	13

1AA 00014 0000 (9711) B - CONCEPT (PSD 13.6)
 ALCATEL CONFIDENTIAL & PROPRIETARY INFORMATION. CONTAINS TRADE SECRET INFORMATION WHICH IS THE PROPERTY OF ALCATEL AND MUST NOT BE MADE AVAILABLE TO, OR COPIED OR USED BY ANYONE OUTSIDE ALCATEL WITHOUT ITS WRITTEN AUTHORIZATION.

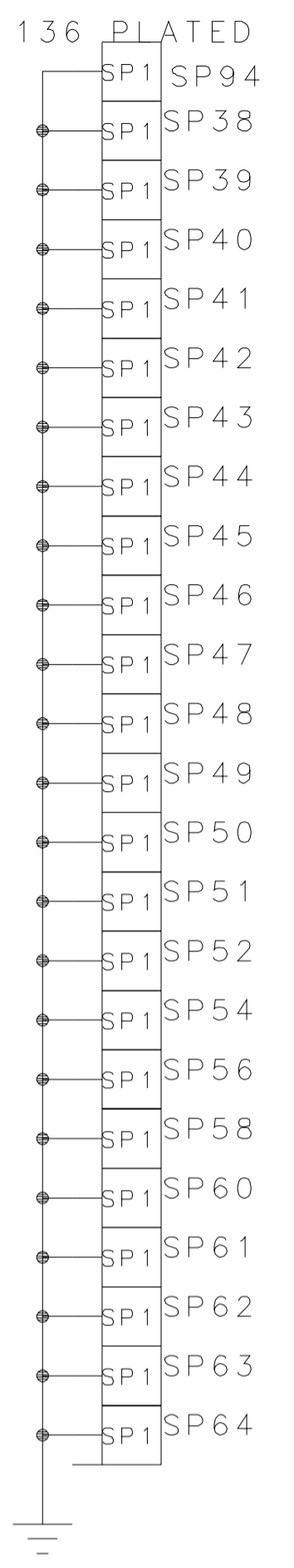
THIS TRANSFER OF COMMODITIES, TECHNOLOGY, OR SOFTWARE, IF FROM THE UNITED STATES, IS AN EXPORT IN ACCORDANCE WITH THE U.S. EXPORT ADMINISTRATION REGULATIONS. DIVERSION CONTRARY TO U.S. LAW PROHIBITED. THE EXPORT OR RE-EXPORT (FURTHER TRANSFER) OF SUCH COMMODITIES, TECHNOLOGY, SOFTWARE, OR PRODUCTS MADE FROM SUCH TECHNOLOGY IS PROHIBITED WITHOUT PROPER AUTHORIZATION(S) FROM THE U.S. DEPARTMENT OF COMMERCE OR OTHER APPROPRIATE U.S. GOVERNMENT AGENCY(S).



DRAWING
 ABBREV=ALCATEL
 TITLE=03138AP
 LAST_MODIFIED=Wed Feb 4 14:43:06 2004

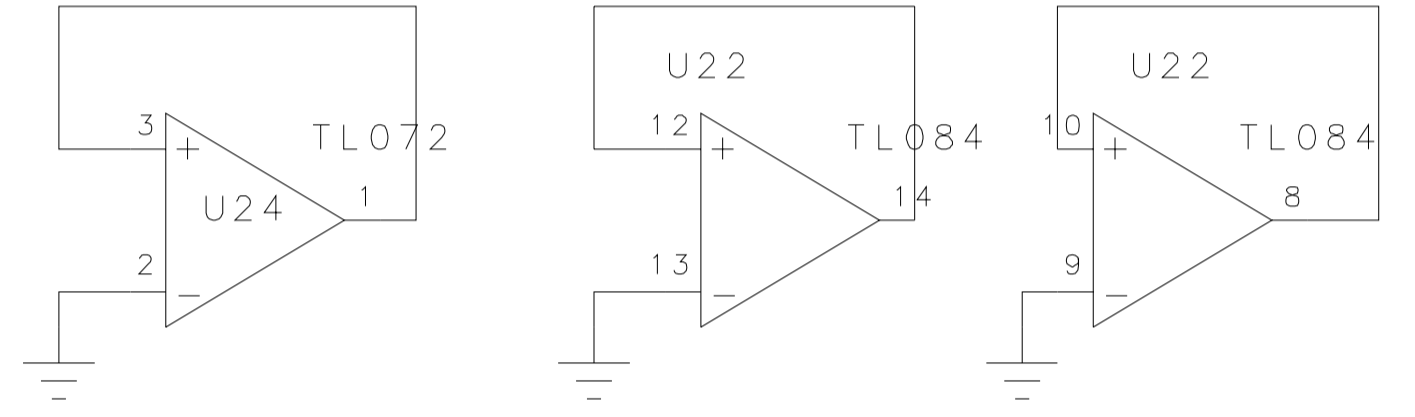
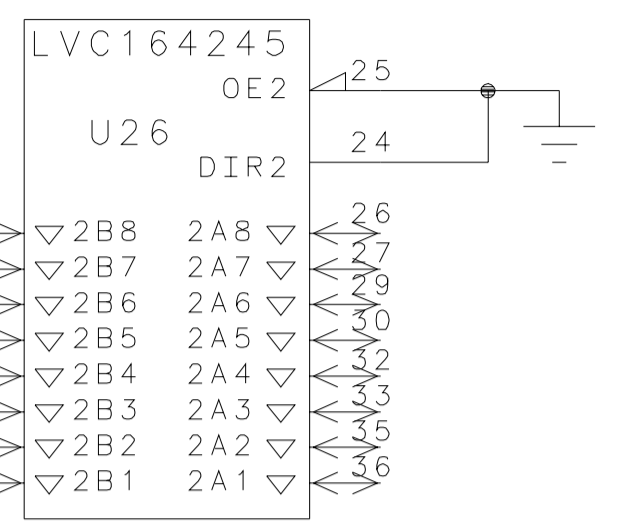
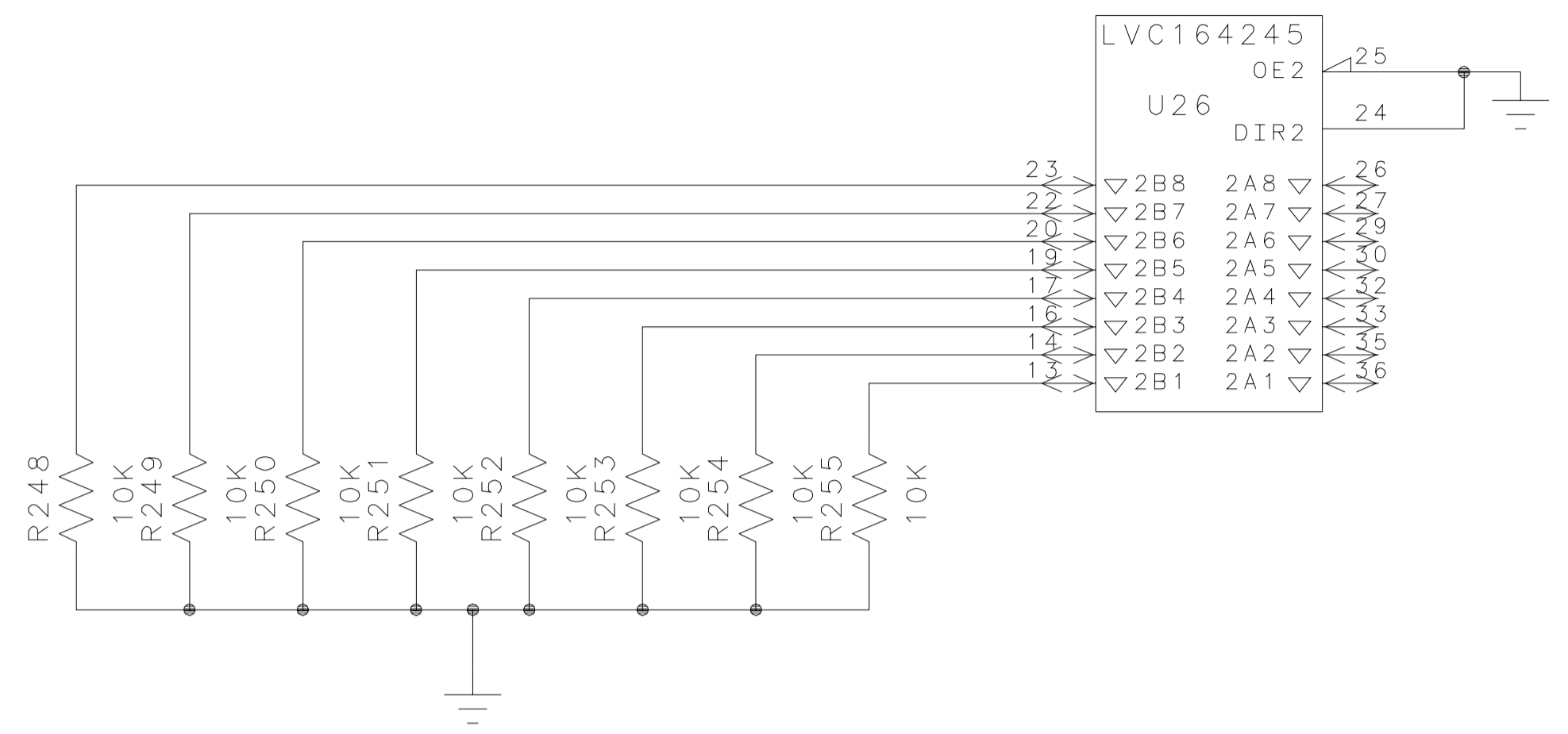
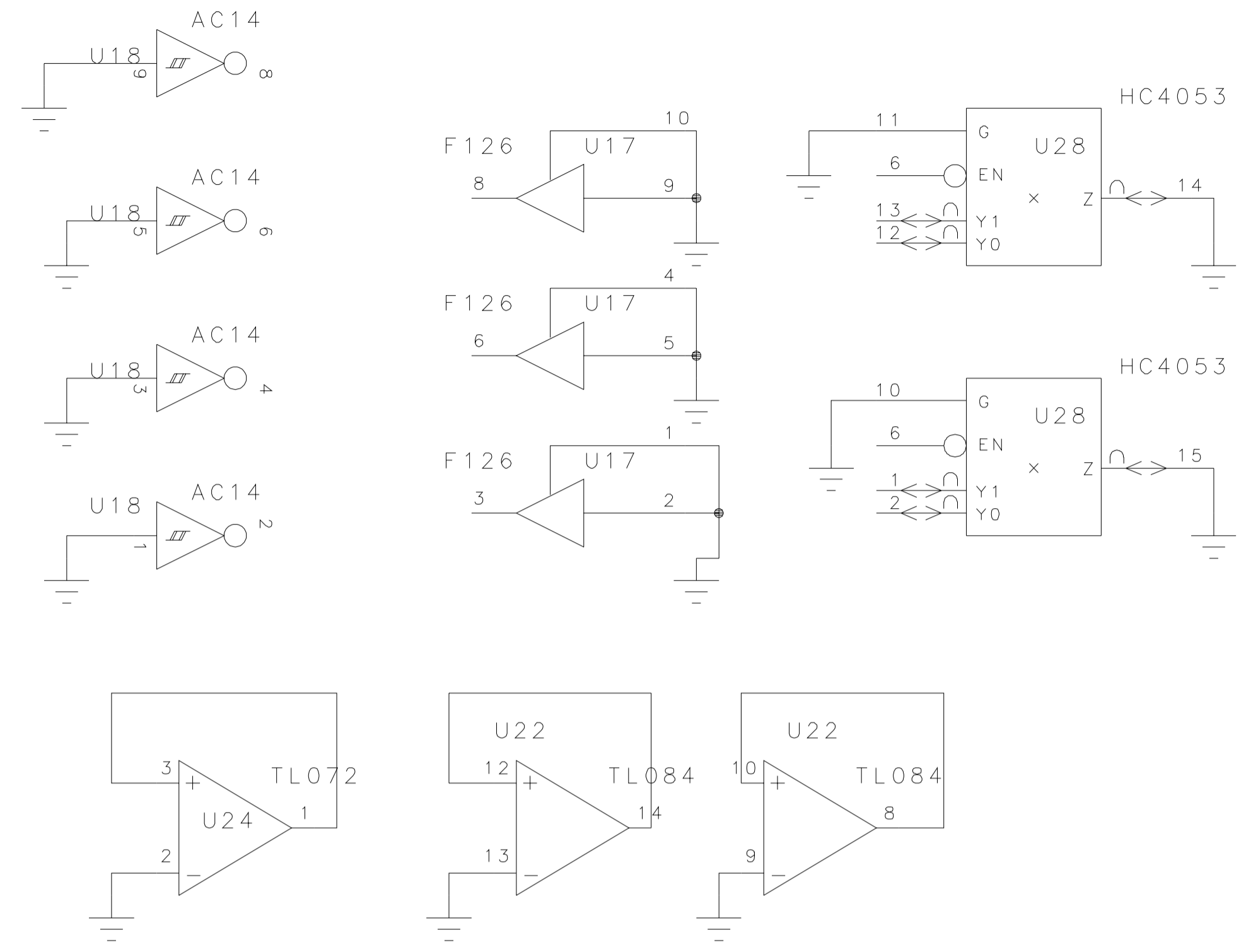
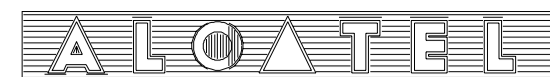
ED	04		
ALCATEL	3DH 03138 APAA ECZZA		14

THIS TRANSFER OF COMMODITIES, TECHNOLOGY, OR SOFTWARE, IF FROM THE UNITED STATES, IS AN EXPORT IN ACCORDANCE WITH THE U.S. EXPORT ADMINISTRATION REGULATIONS. DIVERSION CONTRARY TO U.S. LAW PROHIBITED. THE EXPORT OR RE-EXPORT (FURTHER TRANSFER) OF SUCH COMMODITIES, TECHNOLOGY, SOFTWARE, OR PRODUCTS MADE FROM SUCH TECHNOLOGY IS PROHIBITED WITHOUT PROPER AUTHORIZATION(S) FROM THE U.S. DEPARTMENT OF COMMERCE OR OTHER APPROPRIATE U.S. GOVERNMENT AGENCY(S).



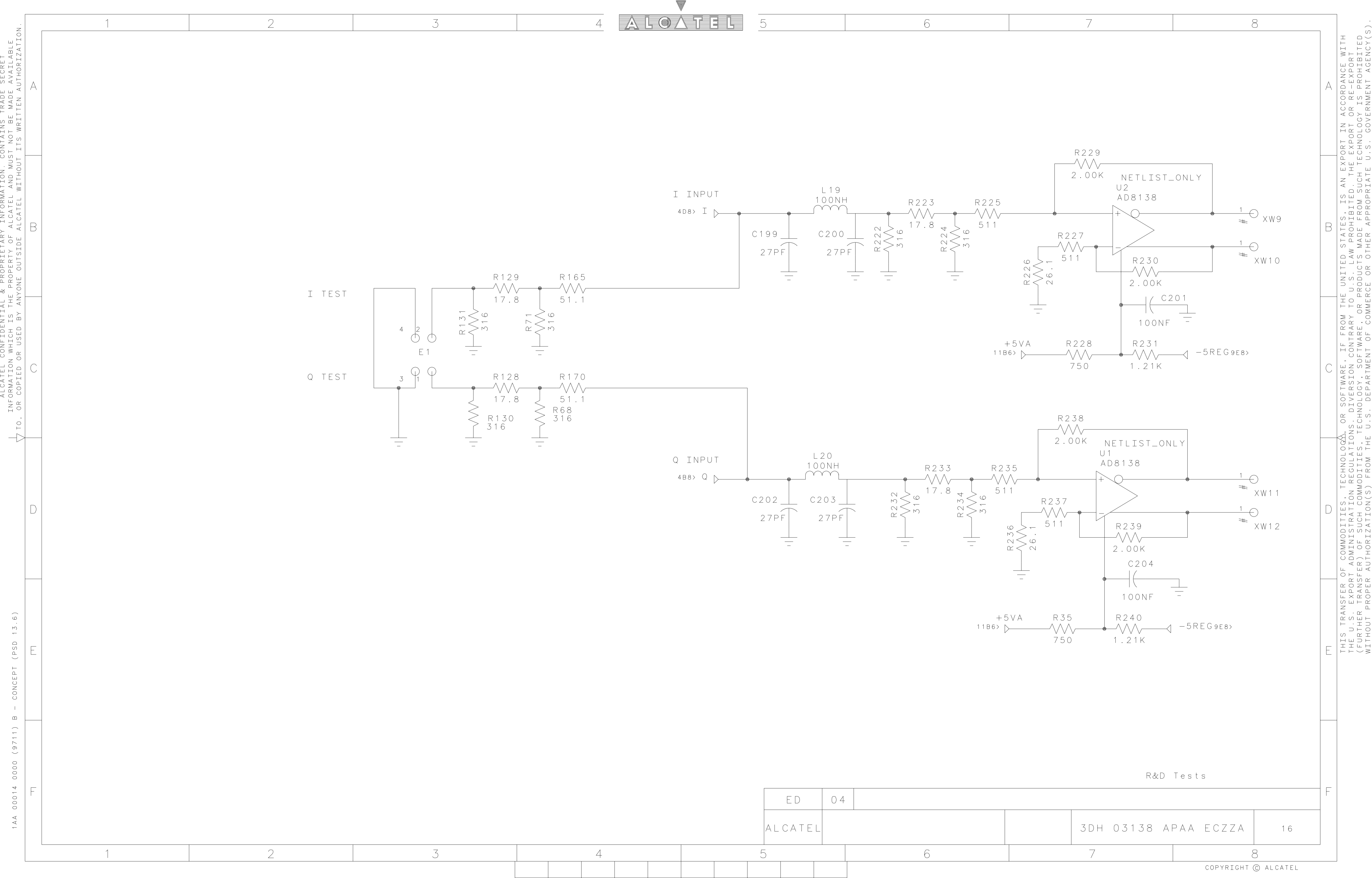
Misc. Pins & Mechanical Holes

1AA 00014 0000 (9711) B - CONCEPT (PSD 13.6)

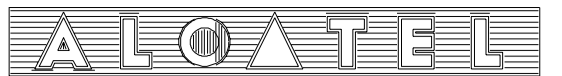


Unused Pins

ED	04		
ALCATEL		3DH 03138 APAA ECZZA	15



1AA 00014 0000 (9711) B - CONCEPT (PSD 13.6)



R&D Tests

ED	04			
ALCATEL			3DH 03138 APAA ECZZA	16

ALCATEL CONFIDENTIAL & PROPRIETARY INFORMATION. CONTAINS TRADE SECRET INFORMATION WHICH IS THE PROPERTY OF ALCATEL AND MUST NOT BE MADE AVAILABLE TO, OR COPIED OR USED BY ANYONE OUTSIDE ALCATEL WITHOUT ITS WRITTEN AUTHORIZATION.

THIS TRANSFER OF COMMODITIES, TECHNOLOGY, OR SOFTWARE, IF FROM THE UNITED STATES, IS AN EXPORT IN ACCORDANCE WITH THE U.S. EXPORT ADMINISTRATION REGULATIONS. DIVERSION CONTRARY TO U.S. LAW PROHIBITED. THE EXPORT OR RE-EXPORT (FURTHER TRANSFER) OF SUCH COMMODITIES, TECHNOLOGY, SOFTWARE, OR PRODUCTS MADE FROM SUCH TECHNOLOGY IS PROHIBITED WITHOUT PROPER AUTHORIZATION(S) FROM THE U.S. DEPARTMENT OF COMMERCE OR OTHER APPROPRIATE U.S. GOVERNMENT AGENCY(S).

*** Signal Cross-Reference ***
 --- for the entire design ---

+3.3VA	11D6>	4D2<	12C4<
+3.3VD	10D8>	8B1<	8B5< 8C8< 12A1< 12E1<
	13C1<		
+5.6V	10C8>	11B1<	
+5V	4D4<>	11B6>	
+5VA	11B6>	4A5< 4A8< 4F8<	5B2< 5C3< 5D2<
	5D5< 5E5< 6B8<	7B1< 12A5<	16C7<
	16E6<		
+5VD	11C6>	3A2< 3B2< 3D2<	3F2< 6C3< 6E5<
	6F3<	12B1< 12D1<	
+5VDIODE	11D6>	5A3< 5A7<	5B8< 6A1< 6A7< 6C1<
	12B1<		
+12VSWITCHER	9A2>	10B7< 10C7<	10D1<
+PWR	4B6<>	4D6<>	12B6<>
+VCC	4A3<>	4C3<>	12C6<>
-5REG	9E8>	4A3< 4A8<	4F8< 5C3< 5E1< 5E2<
	5F3<	12A8< 16C8<	16E7<
	9E8>	12E5<	
-12V	4C6<>	4E6<>	12B7<>
-PWR	4B3<>	4D3<>	12C7<>
-VCC			
2BCLK	3E8>	4D1<	
APC_CTR	14B5>	5C1<	
I	4D8>	16B5<	
ID1	3C8>	4D1<	
ID2	3B8>	4D1<	
ID3	3B8>	4D1<	
ID4	3B8>	4D1<	
ID5	3B8>	4D1<	
ID6	3B8>	4D1<	
ID7	3B8>	4D1<	
ID8	3B8>	4D1<	
ID9	3B8>	4D1<	
ID10	3A8>	4C1<	
ID11	3A8>	4C1<	
ID12	3A8>	4C1<	
I_NULL	5B5>	3E2<	
LAMP_TEST	14B5>	5A8<	
MSL0	4F4>	3E2<	
MSL1	4F4>	3E2<	
P2	5A1<>	6B1<>	
P3	5A1<>	6B1<>	
PA PRES	5D1>	6C5<	
Q	4B8>	16D5<	
QD1	3D8>	4B1<	
QD2	3D8>	4B1<	
QD3	3D8>	4B1<	
QD4	3D8>	4B1<	
QD5	3D8>	4B1<	
QD6	3D8>	4B1<	
QD7	3C8>	4B1<	
QD8	3C8>	4B1<	
QD9	3C8>	4B1<	
QD10	3C8>	4B1<	
QD11	3C8>	4B1<	
QD12	3C8>	4A1<	
Q_NULL	5A5>	3E2<	
RSTF	6E2<>	6F1<>	6F5<
SCL	5A1<>	6B1<>	
SCL CAP KEY	4D4<>	6B4<>	
SDA	5A1<>	6A1<>	
SDA CAP KEY	4D4<>	6A4<>	
SYS0	4F4>	3D2<	
SYS1	4F4>	3E2<	
TDO	8C8>	8C2<	

VDD1	10E2>	10C4<
VDD2	10F2>	10C4<
XMT_DISABLE	6E1<>	5B2<
XMT_ENABLE	6D1<>	5B2<

XMTR BASEBAND

CROSS REFERENCE

ED	04						
ALCATEL						3DH 03138 APAA ECZZA	17

1AA 00014 0000 (9711) B - CONCEPT (PSD 13.6)

THIS TRANSFER OF COMMODITIES, TECHNOLOGY, OR SOFTWARE, IF FROM THE UNITED STATES, IS AN EXPORT IN ACCORDANCE WITH THE U.S. EXPORT ADMINISTRATION REGULATIONS. DIVERSION CONTRARY TO U.S. LAW PROHIBITED. THE EXPORT OR RE-EXPORT (FURTHER TRANSFER) OF SUCH COMMODITIES, TECHNOLOGY, SOFTWARE, OR PRODUCTS MADE FROM SUCH TECHNOLOGY IS PROHIBITED WITHOUT PROPER AUTHORIZATION(S) FROM THE U.S. DEPARTMENT OF COMMERCE OR OTHER APPROPRIATE U.S. GOVERNMENT AGENCY(S).

*** Unit Cross-Reference ***
 --- for the entire design ---

C1	CAPP	9B7
C2	CAPP	12F2
C3	CAP	10C7
C4	CAPP	11A4
C5	CAP	10D1
C6	CAP	10C8
C7	CAP	4C1
C8	CAP	4C2
C9	CAP	4E2
C10	CAP	4C3
C11	CAP	4E2
C12	CAP	4D3
C13	CAP	4A2
C14	CAP	4C2
C15	CAP	4A6
C16	CAP	4F6
C17	CAP	4A6
C18	CAP	4E7
C19	CAPP	12B6
C20	CAP	4D6
C21	CAP	4B3
C22	CAP	12A4
C23	CAPP	12D6
C24	CAPP	12C6
C25	CAPP	12B4
C26	CAPP	13A3
C27	CAP	12B4
C28	CAP	12B5
C29	CAP	4C3
C30	CAP	12A5
C31	CAP	4A3
C32	CAPP	12C7
C33	CAP	12C7
C34	CAP	4D3
C35	CAP	4B3
C36	CAP	12D6
C37	CAP	10E1
C38	CAP	12C6
C39	CAP	12D7
C40	CAP	12D8
C41	CAPP	12D8
C42	CAPP	12B8
C43	CAP	12D4
C44	CAPP	11B3
C45	CAPP	11E3
C46	CAPP	11C4
C47	CAPP	9F2
C48	CAP	12C1
C49	CAP	10C2
C50	CAP	12E4
C51	CAP	12E4
C52	CAPP	5D7
C53	CAP	12B3
C54	CAP	5D7
C55	CAP	5D7
C56	CAP	5B3
C57	CAP	12B3
C58	CAP	13E2
C59	CAP	5F7
C60	CAP	12E4
C61	CAP	6F5
C62	CAP	12B3
C63	CAP	12A6
C64	CAP	12B1

C65	CAP	4E2
C66	CAP	6A8
C67	CAP	10C2
C68	CAPP	11A4
C69	CAP	13E3
C70	CAP	13E3
C71	CAP	12E4
C72	CAP	4F3
C73	CAPP	12F2
C74	CAPP	11C4
C75	CAPP	11C5
C76	CAP	12B6
C77	CAP	13E3
C78	CAP	9C2
C79	CAP	9B2
C80	CAP	9C2
C81	CAP	4B7
C82	CAP	4D7
C83	CAP	4B8
C84	CAP	4D8
C85	CAP	12C3
C86	CAPP	10D7
C87	CAP	5E4
C88	CAP	9B4
C89	CAPP	9C4
C90	CAP	9C4
C91	CAP	9B5
C92	CAPP	9B6
C93	CAPP	9B6
C94	CAP	9C6
C95	CAP	9D6
C96	CAPP	9B6
C97	CAP	9C6
C98	CAPP	9B6
C99	CAPP	9C7
C100	CAPP	9C7
C101	CAPP	9C7
C102	CAPP	9C8
C103	CAPP	9F3
C104	CAP	10B1
C106	CAPP	12C6
C107	CAPP	12D8
C108	CAPP	12F3
C109	CAPP	12F5
C110	CAP	5F2
C111	CAP	5F2
C112	CAP	5F1
C113	CAP	9B8
C114	CAP	12E1
C115	CAP	7D8
C116	CAP	9E7
C117	CAP	11A5
C118	CAP	5E4
C119	CAPP	5F6
C120	CAPP	7C6
C121	CAPP	9F3
C122	CAP	9F4
C123	CAPP	10E2
C124	CAP	10A3
C125	CAP	10A3
C126	CAP	10B4
C127	CAP	10D4
C128	CAP	10C4
C129	CAP	10C4
C130	CAP	10B4
C131	CAP	10D4
C132	CAP	10B5

C133	CAPP	10B6
C134	CAP	10C5
C136	CAP	4B6
C137	CAP	13B4
C138	CAP	6B5
C139	CAP	13B5
C140	CAP	6B5
C141	CAP	9B7
C142	CAP	12E2
C143	CAP	4B8
C144	CAP	4D8
C145	CAP	6C2
C146	CAP	6B5
C147	CAP	6B7
C148	CAP	7D7
C149	CAP	11A5
C150	CAP	9E7
C151	CAP	5C8
C152	CAP	9F7
C153	CAP	5F1
C154	CAP	5F2
C155	CAP	4E6
C156	CAP	4C6
C158	CAP	12F4
C159	CAP	12F4
C161	CAP	12E6
C162	CAP	12E7
C163	CAP	13B5
C164	CAP	12A8
C165	CAP	12B8
C167	CAP	13B5
C168	CAPP	10B6
C169	CAPP	10C6
C170	CAPP	10C6
C171	CAPP	10C6
C172	CAPP	10D6
C173	CAP	10C7
C174	CAP	10D7
C175	CAP	10C7
C176	CAP	10D8
C177	CAP	12D1
C178	CAP	12D1
C179	CAP	12D2
C180	CAP	12E2
C181	CAP	11E3
C182	CAP	12D6
C183	CAP	13B2
C184	CAP	11E5
C185	CAPP	11B1
C187	CAPP	13B2
C188	CAP	11E4
C189	CAPP	11A4
C199	CAP	16B5
C200	CAP	16B5
C201	CAP	16C7
C202	CAP	16D5
C203	CAP	16D5
C204	CAP	16D7
C205	CAPP	13B2
C206	CAP	13B2
C207	CAP	13B3
CR1	DIODE_SOT23	11D5
CR2	DIODE_DUAL_COMCATHODE	9C4
CR3	SHKY_DUAL_COMANODE	6F2
CR4	SHKY_DUAL_COMANODE	6E7
CR5	SHKY_DIODE	9D5
CR6	DIODE_DUAL_COMANODE	10E1

CR7	DIODE_DUAL_COMANODE	10E1
CR8	DIODE_DUAL_COMCATHODE	5E7
CR9	SHKY_DIODE	10C6
CR10	SHKY_DIODE	10D6
DS1	LED	5A7
DS2	LED	5B7
DS4	LED2_ANV	8B3
E1	S_4	16C3
FB3	FERRITE_BEAD	13A4
FB43	FERRITE_BEAD	13E2
FB44	FERRITE_BEAD	13E2
FL1	EMI_FILTER_T	11B4
FL2	EMI_FILTER_T	12A3
FL3	EMI_FILTER_T	13C2
FL4	EMI_FILTER_T	11C4
J1	JACK_TEST_1	5F8
J100	V1H0_4	8C1 8C1 8C1 8D1 8D1 8D1
J101	RA110RD	3A2 3B2 3C2 3D2 3F2 4E3 4E5 4F3 4F5 4F5 5A1 5D1 5E8 6B1 6D1 6D8 6E1 9A1 9B1 9E1 9F1 12F1 14A2 14B1 14B1 14B1 14B1 14B2 14B4 14B4 14B4 14C1 14C1 14C1 14C1 14C1 14C1 14C2 14C2 14C4 14C4 14D1 14D1 14D1 14D2 14D2 14E1 14E1 14E2 14E2 14F2 14F2
J102	V20R2	4B8 4D8 5C8 5E1 5F1 5F1 6B8 6C1 7C8 7D8 9B8 9C8 9E8 9F8 11A6 12E1
L1	IND	9E2
L2	IND	12F2
L3	IND	10B6
L4	IND	10D6
L5	IND	12C4
L6	IND	9B7
L7	IND	11B4
L8	IND	4A7
L9	IND	4D7
L10	IND	11A3
L11	IND	12E3
L12	IND	12E5
L13	IND	12B6
L14	IND	9C5
L15	IND	9B7
L16	IND	12C6
L17	IND	12B8
L18	IND	12C8
L19	IND	16B5
L20	IND	16D5
L21	IND	10A7
N1	ATP	13E3
N2	ATP	13E3
N4	ATP	13A5
N7	ATP	13B4
P101	V8H0	4A4 4C4 4C4 4D4
P102	V8H0	4A5 4C5 4C5 4D5
P103	V20H0	4D4 4E2 4E4 4F2 4F4 4F4
Q3	NPN_R	6D5
Q4	NEG_VOLTAGE_REG	9E4
Q5	FET_N	9B5
Q6	NPN_R	6C7
Q7	FET_N	9C5
Q8	MOSFET_N_CHNL_2	10B5
Q9	MOSFET_N_CHNL_2	10D5
Q10	MOSFET_N_CHNL_2	10C5
Q11	MOSFET_N_CHNL_2	10D5
R1	RES_VAR	4B5
R2	RES_VAR	4E5
R3	RES	10B1
R4	RES	4C5

XMTR BASEBAND

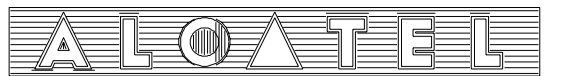
CROSS REFERENCE

ED	04						
ALCATEL						3DH 03138 APAA ECZZA	18

THIS TRANSFER OF COMMODITIES, TECHNOLOGY, OR SOFTWARE, IF FROM THE UNITED STATES, IS AN EXPORT IN ACCORDANCE WITH THE U.S. EXPORT ADMINISTRATION REGULATIONS. DIVERSION CONTRARY TO U.S. LAW IS PROHIBITED. THE EXPORT OR RE-EXPORT (FURTHER TRANSFER) OF SUCH COMMODITIES, TECHNOLOGY, SOFTWARE, OR PRODUCTS MADE FROM SUCH TECHNOLOGY IS PROHIBITED WITHOUT PROPER AUTHORIZATION(S) FROM THE U.S. DEPARTMENT OF COMMERCE OR OTHER APPROPRIATE U.S. GOVERNMENT AGENCY(S).

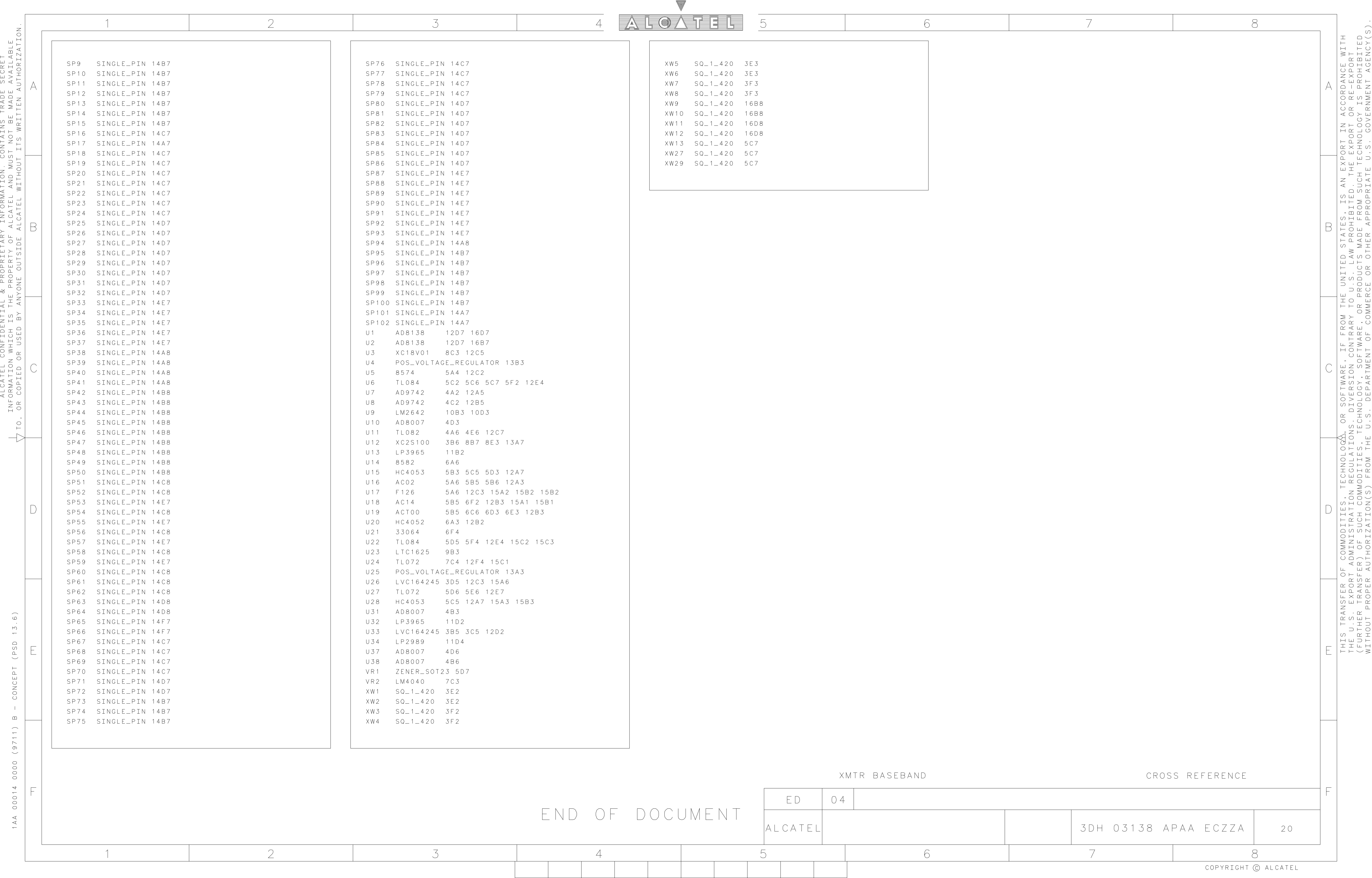
1AA 00014 0000 (9711) B - CONCEPT (PSD 13.6)

1AA 00014 0000 (9711) B - CONCEPT (PSD 13.6)



1			2			3			4			5			6			7			8																																																																																																																																																																																																																																																																																																																																																																																																																																																																																																																																																																																																																																																																																																																																																																																																														
A			B			C			D			E			F			A			B			C			D			E			F																																																																																																																																																																																																																																																																																																																																																																																																																																																																																																																																																																																																																																																																																																																																																																																																		
R5	RES	9C2	R6	RES	9D2	R7	RES	9C6	R8	RES	3A3	R9	RES	3A3	R10	RES	3B3	R11	RES	3B3	R12	RES	3B3	R13	RES	3F3	R14	RES	3D3	R15	RES	8B3	R16	RES	3A3	R17	RES	3B3	R18	RES	8B6	R19	RES	3A3	R20	RES	3B3	R21	RES	8B6	R22	RES	3A3	R23	RES	3C3	R24	RES	3B3	R25	RES	3C4	R26	RES	3D4	R27	RES	3A3	R28	RES	3B3	R29	RES	3D3	R30	RES	3F3	R31	RES	4B1	R32	RES	4C1	R33	RES	4E6	R34	RES	4E1	R35	RES	16E7	R36	RES	4E3	R37	RES	4C3	R38	RES	4A2	R39	RES	4C2	R40	RES	4A3	R41	RES	4A3	R42	RES	4B3	R43	RES	4D3	R44	RES	4D3	R45	RES	4C5	R46	RES	4C3	R47	RES	4E6	R48	RES	4A6	R49	RES	4A3	R50	RES	4C3	R51	RES	8B6	R52	RES	4A6	R53	RES	4D6	R54	RES	4A6	R55	RES	4B4	R56	RES	8C1	R57	RES	5D4	R58	RES	4E4	R59	RES	9F2	R60	RES	9A2	R61	RES	3C3	R62	RES	3C3	R63	RES	4C4	R64	RES	4A7	R65	RES	8C1	R66	RES	5D2	R67	RES	4E7	R68	RES	16C4	R69	RES	3B3	R70	RES	3A4	R71	RES	16C4	R72	RES	5E2	R73	RES	5E2	R74	RES	5F2	R75	RES	4C6	R76	RES	5B3	R77	RES	4F7	R78	RES_VAR	4A7	R79	RES_VAR	4E7	R80	RES	5F2	R81	RES	5C3	R82	RES	5C6	R83	RES	5E1	R84	RES	10D2	R85	RES	4B6	R86	RES	4E2	R87	RES	4C6	R88	RES	4B6	R89	RES	4C5	R90	RES	3C3	R91	RES	4B7	R92	RES	3C3	R93	RES	5C6	R94	RES	12F1	R95	RES	5C2	R96	RES	9A2	R97	RES_VAR	5B4	R98	RES	7C3	R99	RES	5C3	R100	RES	5B7	R101	RES	5A7	R102	RES_VAR	7C4	R103	RES	5D2	R104	RES	5E2	R105	RES	5A7	R106	RES	5A7	R107	RES	5C7	R108	RES	5F7	R109	RES	6E2	R110	RES	6E2	R111	RES	6E2	R112	RES	6D2	R113	RES	6F3	R114	RES	4D7	R115	RES	5E1	R116	RES	6D4	R117	RES	6D4	R118	RES	6E5	R119	RES	5B7	R120	RES	6B2	R121	RES	6B2	R122	RES	6A2	R123	RES	6B2	R124	RES	6A6	R125	RES	7C4	R126	RES	5C6	R127	RES	10B2	R128	RES	16C3	R129	RES	16B3	R130	RES	16C3	R131	RES	16C3	R132	RES	10A3	R133	RES	8C2	R134	RES	4B7	R135	RES	8C2	R136	RES	8C2	R137	RES	5C7	R138	RES	4A7	R139	RES	4A7	R140	RES	4E7	R141	RES	12E4	R142	RES	6F4	R143	RES	12E3	R144	RES	6B4	R145	RES	12C6	R146	RES	12C8	R147	RES	12E3	R148	RES	6B4	R149	RES	6B3	R150	RES	6B4	R151	RES	6B4	R152	RES	6B5	R153	RES	6C7	R154	RES	9C6	R155	RES	3D2	R156	RES	3E2	R157	RES	4D7	R158	RES	6C6	R159	RES_VAR	5D4	R160	RES	3E3	R161	RES	6B7	R162	RES	3E3	R163	RES	12E5	R164	RES	5F5	R165	RES	16B4	R166	RES	3E3	R167	RES	5C2	R168	RES	4F3	R169	RES	3E3	R170	RES	16C4	R171	RES	7D5	R172	RES	5F3	R173	RES	10B3	R174	RES	5F4	R175	RES	5C2	R176	RES	5E4	R177	RES	5C6	R178	RES	5D2	R179	RES	4B7	R180	RES	3D3	R181	RES	5E4	R182	RES	9B2	R183	RES	9B2	R184	RES	5D6	R185	RES	9D6	R186	RES	9B4	R187	RES	3E3	R188	RES	3F3	R189	RES	3D3	R190	RES	4D7	R191	RES	4A3	R192	RES	4E5	R193	RES	4D4	R194	RES	5C4	R195	RES	10B4	R196	RES	10C4	R197	RES	10B4	R198	RES	10C4	R199	RES	10B5	R200	RES	10D5	R201	RES	10B5	R202	RES	10C5	R203	RES	4A5	R204	RES	4B5	R205	RES	10B6	R206	RES	10C6	R207	RES	13A4	R208	RES	11E5	R209	RES	4D5	R210	RES	5C4	R211	RES	5D5	R212	RES	5E5	R213	RES	10C8	R214	RES	10D8	R215	RES	10E8	R216	RES	10E8	R217	RES	5E5	R218	RES	5E5	R219	RES	5D6	R220	RES	5E6	R221	RES	5E7	R222	RES	16B6	R223	RES	16B6	R224	RES	16B6	R225	RES	16B6	R226	RES	16B7	R227	RES	16B7	R228	RES	16C7	R229	RES	16B7	R230	RES	16B7	R231	RES	16C7	R232	RES	16D6	R233	RES	16D6	R234	RES	16D6	R235	RES	16D6	R236	RES	16D7	R237	RES	16D7	R238	RES	16C7	R239	RES	16D7	R240	RES	16E7	R241	RES	13B4	R242	RES	13B4	R243	RES	13C4	R244	RES	3D4	R245	RES	3C4	R246	RES	3E4	R247	RES	3C5	R248	RES	15B4	R249	RES	15B4	R250	RES	15B5	R251	RES	15B5	R252	RES	15B5	R253	RES	15B5	R254	RES	15B5	R255	RES	15B6	R256	RES	3D3	R257	RES	3D3	R258	RES	4C5	R259	RES	4E5	R260	RES	5E6	R261	RES	5D6	R375	RES	8B5	R651	RES	8B5	R652	RES	8C8	SP1	SINGLE_PIN	14A7	SP2	SINGLE_PIN	14A7	SP3	SINGLE_PIN	14A7	SP4	SINGLE_PIN	14A7	SP5	SINGLE_PIN	14A7	SP6	SINGLE_PIN	14A7	SP7	SINGLE_PIN	14A7	SP8	SINGLE_PIN	14B7
												XMTR BASEBAND												CROSS REFERENCE																																																																																																																																																																																																																																																																																																																																																																																																																																																																																																																																																																																																																																																																																																																																																																																																											
												ED 04																																																																																																																																																																																																																																																																																																																																																																																																																																																																																																																																																																																																																																																																																																																																																																																																																							
												ALCATEL												3DH 03138 APAA ECZZA 19																																																																																																																																																																																																																																																																																																																																																																																																																																																																																																																																																																																																																																																																																																																																																																																																											
1			2			3			4			5			6			7			8																																																																																																																																																																																																																																																																																																																																																																																																																																																																																																																																																																																																																																																																																																																																																																																																														

THIS TRANSFER OF COMMODITIES, TECHNOLOGY, OR SOFTWARE, IF FROM THE UNITED STATES, IS AN EXPORT IN ACCORDANCE WITH THE U.S. EXPORT ADMINISTRATION REGULATIONS. DIVERSION CONTRARY TO U.S. LAW PROHIBITED. THE EXPORT OR RE-EXPORT (FURTHER TRANSFER) OF SUCH COMMODITIES, TECHNOLOGY, SOFTWARE, OR PRODUCTS MADE FROM SUCH TECHNOLOGY IS PROHIBITED WITHOUT PROPER AUTHORIZATION(S) FROM THE U.S. DEPARTMENT OF COMMERCE OR OTHER APPROPRIATE U.S. GOVERNMENT AGENCY(S).



SP9 SINGLE_PIN 14B7
 SP10 SINGLE_PIN 14B7
 SP11 SINGLE_PIN 14B7
 SP12 SINGLE_PIN 14B7
 SP13 SINGLE_PIN 14B7
 SP14 SINGLE_PIN 14B7
 SP15 SINGLE_PIN 14B7
 SP16 SINGLE_PIN 14C7
 SP17 SINGLE_PIN 14A7
 SP18 SINGLE_PIN 14C7
 SP19 SINGLE_PIN 14C7
 SP20 SINGLE_PIN 14C7
 SP21 SINGLE_PIN 14C7
 SP22 SINGLE_PIN 14C7
 SP23 SINGLE_PIN 14C7
 SP24 SINGLE_PIN 14C7
 SP25 SINGLE_PIN 14D7
 SP26 SINGLE_PIN 14D7
 SP27 SINGLE_PIN 14D7
 SP28 SINGLE_PIN 14D7
 SP29 SINGLE_PIN 14D7
 SP30 SINGLE_PIN 14D7
 SP31 SINGLE_PIN 14D7
 SP32 SINGLE_PIN 14D7
 SP33 SINGLE_PIN 14E7
 SP34 SINGLE_PIN 14E7
 SP35 SINGLE_PIN 14E7
 SP36 SINGLE_PIN 14E7
 SP37 SINGLE_PIN 14E7
 SP38 SINGLE_PIN 14A8
 SP39 SINGLE_PIN 14A8
 SP40 SINGLE_PIN 14A8
 SP41 SINGLE_PIN 14A8
 SP42 SINGLE_PIN 14B8
 SP43 SINGLE_PIN 14B8
 SP44 SINGLE_PIN 14B8
 SP45 SINGLE_PIN 14B8
 SP46 SINGLE_PIN 14B8
 SP47 SINGLE_PIN 14B8
 SP48 SINGLE_PIN 14B8
 SP49 SINGLE_PIN 14B8
 SP50 SINGLE_PIN 14B8
 SP51 SINGLE_PIN 14C8
 SP52 SINGLE_PIN 14C8
 SP53 SINGLE_PIN 14E7
 SP54 SINGLE_PIN 14C8
 SP55 SINGLE_PIN 14E7
 SP56 SINGLE_PIN 14C8
 SP57 SINGLE_PIN 14E7
 SP58 SINGLE_PIN 14C8
 SP59 SINGLE_PIN 14E7
 SP60 SINGLE_PIN 14C8
 SP61 SINGLE_PIN 14C8
 SP62 SINGLE_PIN 14C8
 SP63 SINGLE_PIN 14D8
 SP64 SINGLE_PIN 14D8
 SP65 SINGLE_PIN 14F7
 SP66 SINGLE_PIN 14F7
 SP67 SINGLE_PIN 14C7
 SP68 SINGLE_PIN 14C7
 SP69 SINGLE_PIN 14C7
 SP70 SINGLE_PIN 14C7
 SP71 SINGLE_PIN 14D7
 SP72 SINGLE_PIN 14D7
 SP73 SINGLE_PIN 14B7
 SP74 SINGLE_PIN 14B7
 SP75 SINGLE_PIN 14B7

SP76 SINGLE_PIN 14C7
 SP77 SINGLE_PIN 14C7
 SP78 SINGLE_PIN 14C7
 SP79 SINGLE_PIN 14C7
 SP80 SINGLE_PIN 14D7
 SP81 SINGLE_PIN 14D7
 SP82 SINGLE_PIN 14D7
 SP83 SINGLE_PIN 14D7
 SP84 SINGLE_PIN 14D7
 SP85 SINGLE_PIN 14D7
 SP86 SINGLE_PIN 14D7
 SP87 SINGLE_PIN 14E7
 SP88 SINGLE_PIN 14E7
 SP89 SINGLE_PIN 14E7
 SP90 SINGLE_PIN 14E7
 SP91 SINGLE_PIN 14E7
 SP92 SINGLE_PIN 14E7
 SP93 SINGLE_PIN 14E7
 SP94 SINGLE_PIN 14A8
 SP95 SINGLE_PIN 14B7
 SP96 SINGLE_PIN 14B7
 SP97 SINGLE_PIN 14B7
 SP98 SINGLE_PIN 14B7
 SP99 SINGLE_PIN 14B7
 SP100 SINGLE_PIN 14B7
 SP101 SINGLE_PIN 14A7
 SP102 SINGLE_PIN 14A7
 U1 ADB138 12D7 16D7
 U2 ADB138 12D7 16B7
 U3 XC18V01 8C3 12C5
 U4 POS_VOLTAGE_REGULATOR 13B3
 U5 8574 5A4 12C2
 U6 TL084 5C2 5C6 5C7 5F2 12E4
 U7 AD9742 4A2 12A5
 U8 AD9742 4C2 12B5
 U9 LM2642 10B3 10D3
 U10 AD8007 4D3
 U11 TL082 4A6 4E6 12C7
 U12 XC25100 3B6 8B7 8E3 13A7
 U13 LP3965 11B2
 U14 8582 6A6
 U15 HC4053 5B3 5C5 5D3 12A7
 U16 AC02 5A6 5B5 5B6 12A3
 U17 F126 5A6 12C3 15A2 15B2 15B2
 U18 AC14 5B5 6F2 12B3 15A1 15B1
 U19 ACT00 5B5 6C6 6D3 6E3 12B3
 U20 HC4052 6A3 12B2
 U21 33064 6F4
 U22 TL084 5D5 5F4 12E4 15C2 15C3
 U23 LTC1625 9B3
 U24 TL072 7C4 12F4 15C1
 U25 POS_VOLTAGE_REGULATOR 13A3
 U26 LVC164245 3D5 12C3 15A6
 U27 TL072 5D6 5E6 12E7
 U28 HC4053 5C5 12A7 15A3 15B3
 U31 AD8007 4B3
 U32 LP3965 11D2
 U33 LVC164245 3B5 3C5 12D2
 U34 LP2989 11D4
 U37 AD8007 4D6
 U38 AD8007 4B6
 VR1 ZENER_SOT23 5D7
 VR2 LM4040 7C3
 XW1 SQ_1_420 3E2
 XW2 SQ_1_420 3E2
 XW3 SQ_1_420 3F2
 XW4 SQ_1_420 3F2

XW5 SQ_1_420 3E3
 XW6 SQ_1_420 3E3
 XW7 SQ_1_420 3F3
 XW8 SQ_1_420 3F3
 XW9 SQ_1_420 16B8
 XW10 SQ_1_420 16B8
 XW11 SQ_1_420 16D8
 XW12 SQ_1_420 16D8
 XW13 SQ_1_420 5C7
 XW27 SQ_1_420 5C7
 XW29 SQ_1_420 5C7

XMTR BASEBAND

CROSS REFERENCE

END OF DOCUMENT

ED	04			
ALCATEL			3DH 03138 APAA ECZZA	20

1AA 00014 0000 (9711) B - CONCEPT (PSD 13.6)
 ALCATEL CONFIDENTIAL & PROPRIETARY INFORMATION. CONTAINS TRADE SECRET INFORMATION WHICH IS THE PROPERTY OF ALCATEL AND MUST NOT BE MADE AVAILABLE TO, OR COPIED OR USED BY ANYONE OUTSIDE ALCATEL WITHOUT ITS WRITTEN AUTHORIZATION.

THIS TRANSFER OF COMMODITIES, TECHNOLOGY, OR SOFTWARE, IF FROM THE UNITED STATES, IS AN EXPORT IN ACCORDANCE WITH THE U.S. EXPORT ADMINISTRATION REGULATIONS. DIVERSION CONTRARY TO U.S. LAW PROHIBITED. THE EXPORT OR RE-EXPORT (FURTHER TRANSFER) OF SUCH COMMODITIES, TECHNOLOGY, SOFTWARE, OR PRODUCTS MADE FROM SUCH TECHNOLOGY IS PROHIBITED WITHOUT PROPER AUTHORIZATION(S) FROM THE U.S. DEPARTMENT OF COMMERCE OR OTHER APPROPRIATE U.S. GOVERNMENT AGENCY(S).