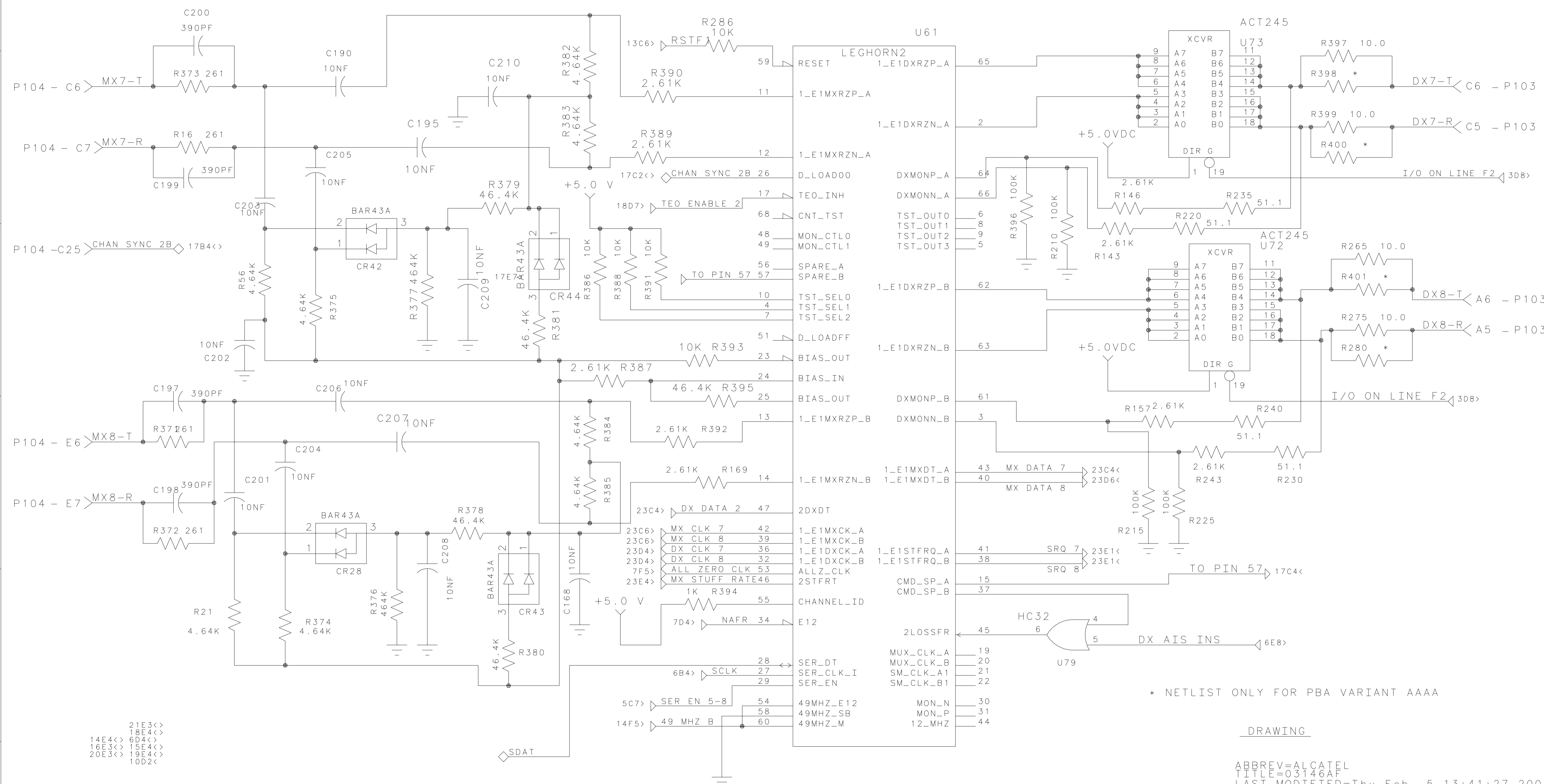


14A 00014 0000 (9711) B - CONCEPT (PSD 13.6)



* NETLIST ONLY FOR PBA VARIANT AAAA

DRAWING

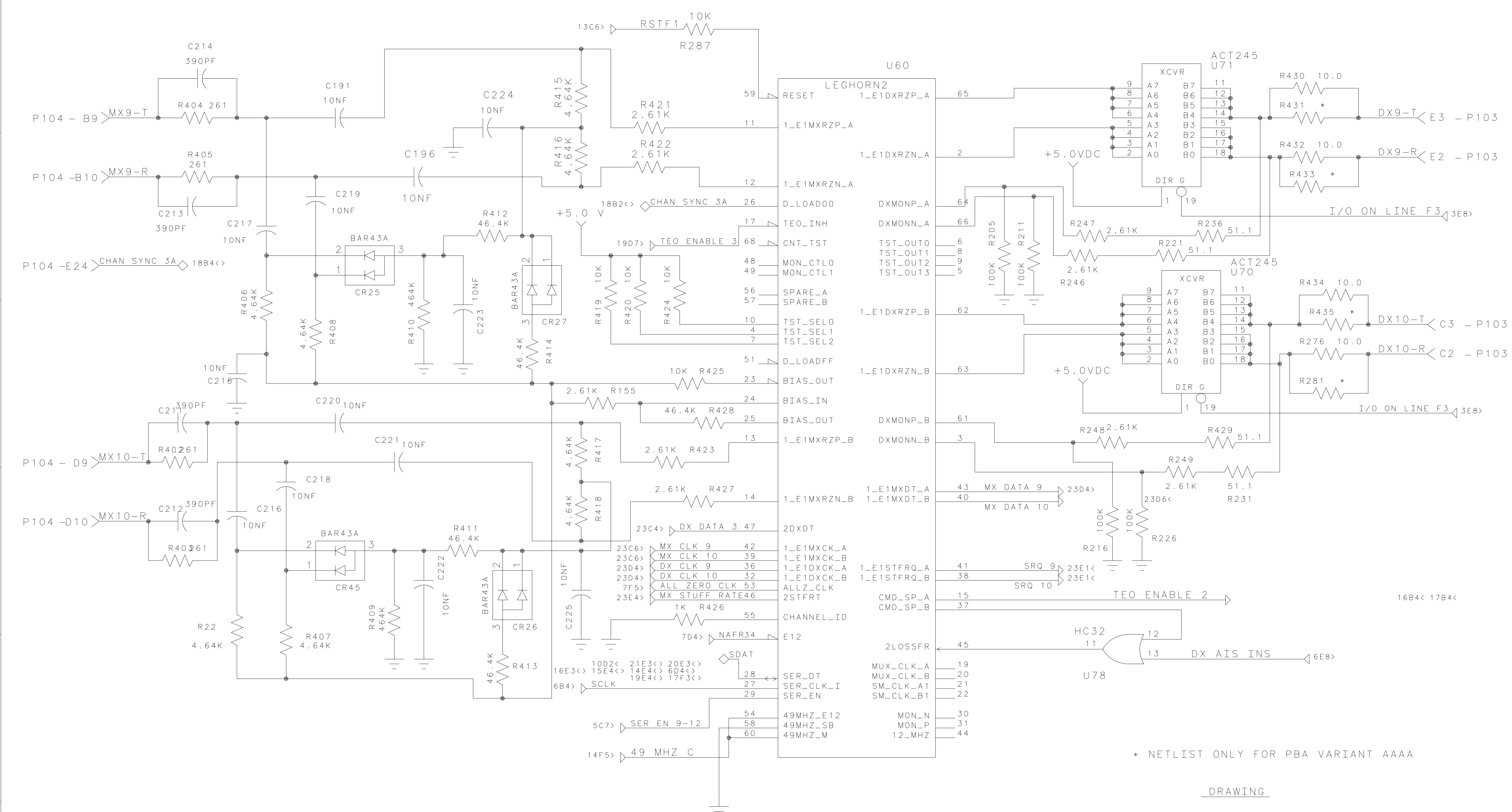
ABBREV=ALCATEL
 TITLE=03146AF
 LAST_MODIFIED=Thu Feb 5 13:41:27 2004

Leghorn 4, lines 7 & 8

ED	06			
ALCATEL			3DH 03146 AFAA ECZZA	17

THIS TRANSFER OF COMMODITIES, TECHNOLOGY OR SOFTWARE, IF FROM THE UNITED STATES, IS AN EXPORT IN ACCORDANCE WITH THE U.S. EXPORT ADMINISTRATION REGULATIONS. DIVERSION CONTRARY TO U.S. LAW PROHIBITED. THE EXPORT OR RE-EXPORT (FURTHER TRANSFER) OF SUCH COMMODITIES, TECHNOLOGY, SOFTWARE, OR PRODUCTS MADE FROM SUCH TECHNOLOGY IS PROHIBITED WITHOUT PROPER AUTHORIZATION(S) FROM THE U.S. DEPARTMENT OF COMMERCE OR OTHER APPROPRIATE U.S. GOVERNMENT AGENCY(S).

1AA 00014 0000 (9711) B - CONCEPT (PSD 13.6)



* NETLIST ONLY FOR PBA VARIANT AAAA

DRAWING

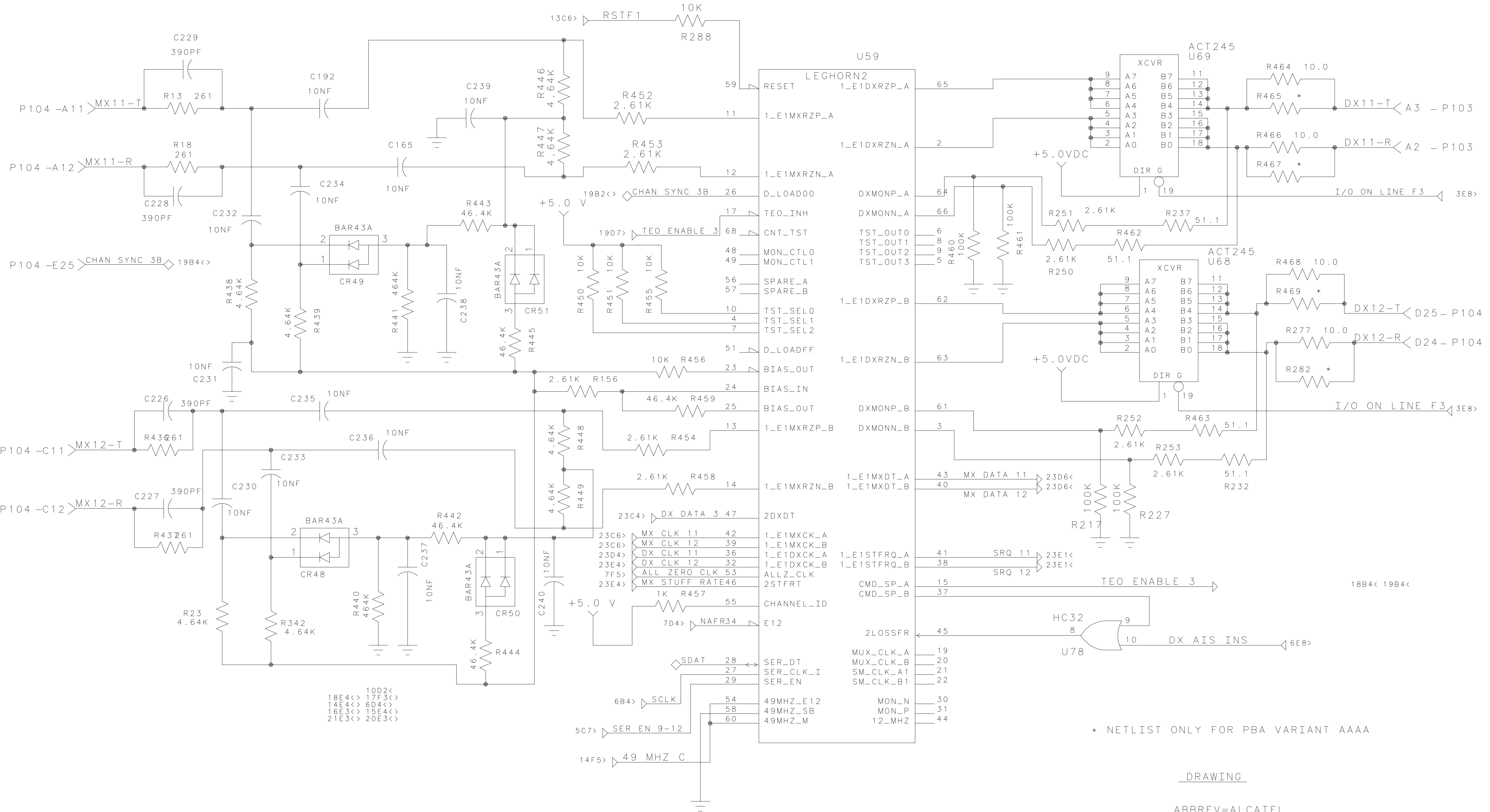
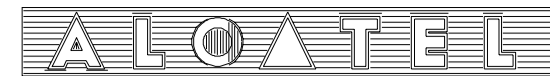
ABBREV=ALCATEL
TITLE=03146AF
LAST_MODIFIED=Thu Feb 5 13:41:29 2004

Leghorn 5, lines 9 & 10

ED	06			
ALCATEL			3DH 03146 AFAA ECZZA	18

THIS TRANSFER OF COMMODITIES, TECHNOLOGY, OR SOFTWARE, IF FROM THE UNITED STATES, IS AN EXPORT IN ACCORDANCE WITH THE U.S. EXPORT ADMINISTRATION REGULATIONS. DIVERSION CONTRARY TO U.S. LAW PROHIBITED. THE EXPORT OR RE-EXPORT (FURTHER TRANSFER) OF SUCH COMMODITIES, TECHNOLOGY, SOFTWARE, OR PRODUCTS MADE FROM SUCH TECHNOLOGY IS PROHIBITED WITHOUT PROPER AUTHORIZATION(S) FROM THE U.S. DEPARTMENT OF COMMERCE OR OTHER APPROPRIATE U.S. GOVERNMENT AGENCY(S).

1AA 00014 0000 (9711) B - CONCEPT (PSD 13.6)



* NETLIST ONLY FOR PBA VARIANT AAAA

DRAWING

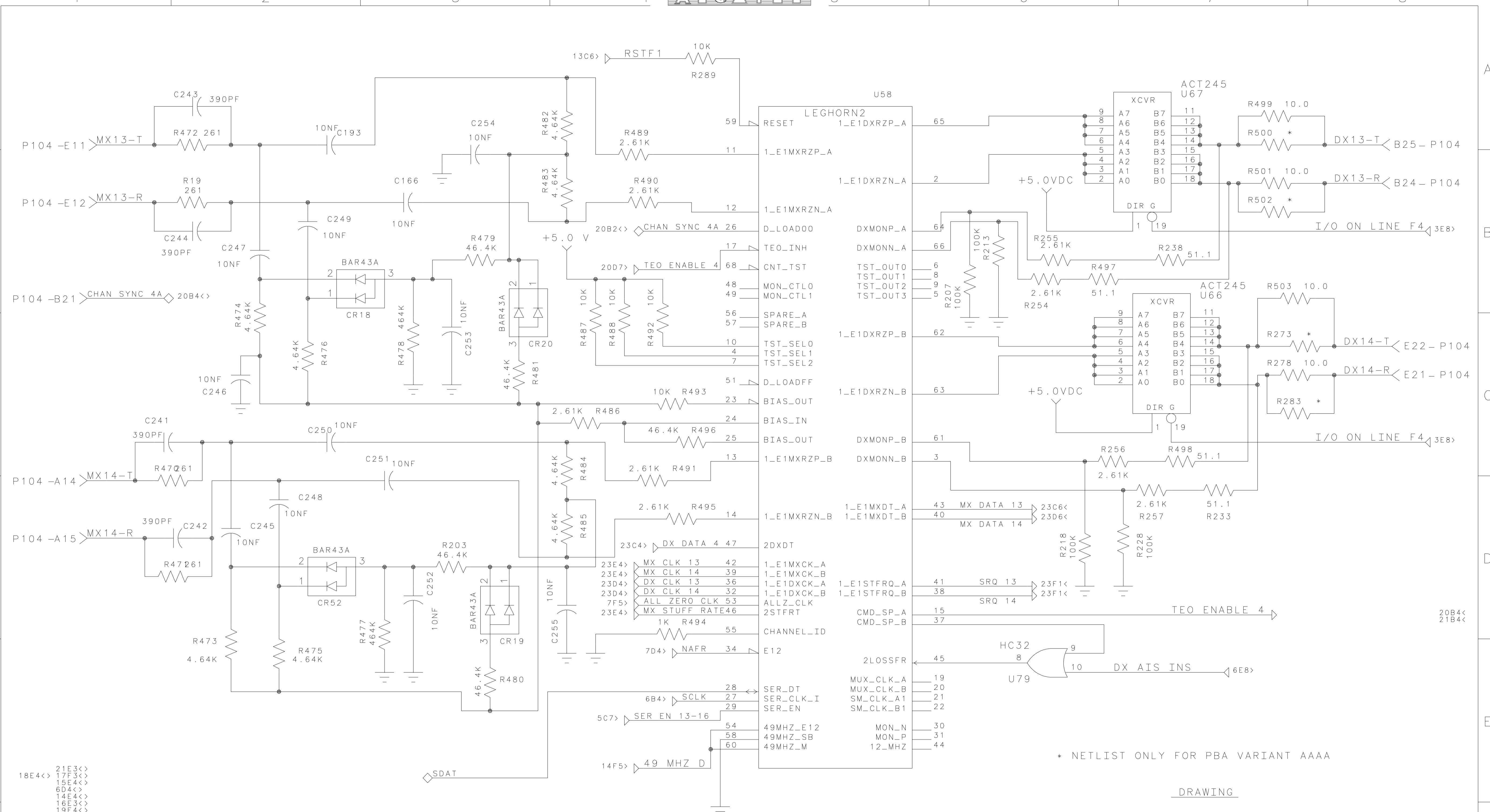
ABBREV=ALCATEL
TITLE=03146AF
LAST_MODIFIED=Thu Feb 5 13:41:31 2004

Leghorn 6, lines 11 & 12

ED	06					
ALCATEL					3DH 03146 AFAA ECZZA	19

THIS TRANSFER OF COMMODITIES, TECHNOLOGY, OR SOFTWARE, IF FROM THE UNITED STATES, IS AN EXPORT IN ACCORDANCE WITH THE U.S. EXPORT ADMINISTRATION REGULATIONS. DIVERSION CONTRARY TO U.S. LAW PROHIBITED. THE EXPORT OR RE-EXPORT (FURTHER TRANSFER) OF SUCH COMMODITIES, TECHNOLOGY, SOFTWARE, OR PRODUCTS MADE FROM SUCH TECHNOLOGY IS PROHIBITED WITHOUT PROPER AUTHORIZATION(S) FROM THE U.S. DEPARTMENT OF COMMERCE OR OTHER APPROPRIATE U.S. GOVERNMENT AGENCY(S).

14A 00014 0000 (9711) B - CONCEPT (PSD 13.6)



- 21E3<>
- 17F3<>
- 15E4<>
- 6D4<>
- 14E4<>
- 16E3<>
- 19E4<>
- 10D2<>

* NETLIST ONLY FOR PBA VARIANT AAAA

DRAWING

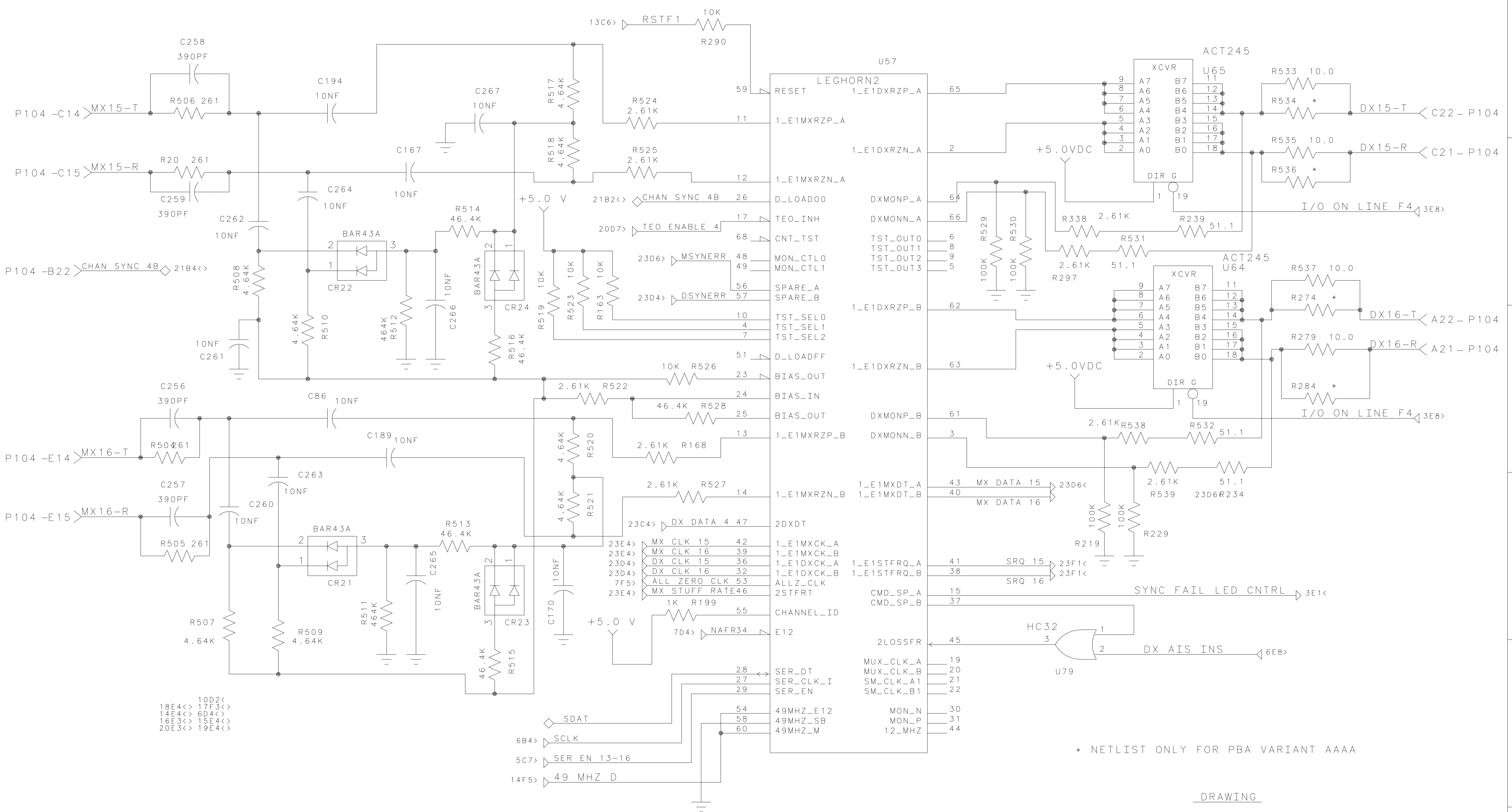
ABBREV=ALCATEL
 TITLE=03146AF
 LAST_MODIFIED=Thu Feb 5 13:41:33 2004

Leghorn 7, lines 13 & 14

ED	06			
ALCATEL			3DH 03146 AFAA ECZZA	20

THIS TRANSFER OF COMMODITIES, TECHNOLOGY OR SOFTWARE, IF FROM THE UNITED STATES, IS AN EXPORT IN ACCORDANCE WITH THE U.S. EXPORT ADMINISTRATION REGULATIONS. DIVERSION CONTRARY TO U.S. LAW PROHIBITED. THE EXPORT OR RE-EXPORT (FURTHER TRANSFER) OF SUCH COMMODITIES, TECHNOLOGY, SOFTWARE, OR PRODUCTS MADE FROM SUCH TECHNOLOGY IS PROHIBITED WITHOUT PROPER AUTHORIZATION(S) FROM THE U.S. DEPARTMENT OF COMMERCE OR OTHER APPROPRIATE U.S. GOVERNMENT AGENCY(S).

1AA 00014 0000 (9711) B - CONCEPT (PSD 13.6)

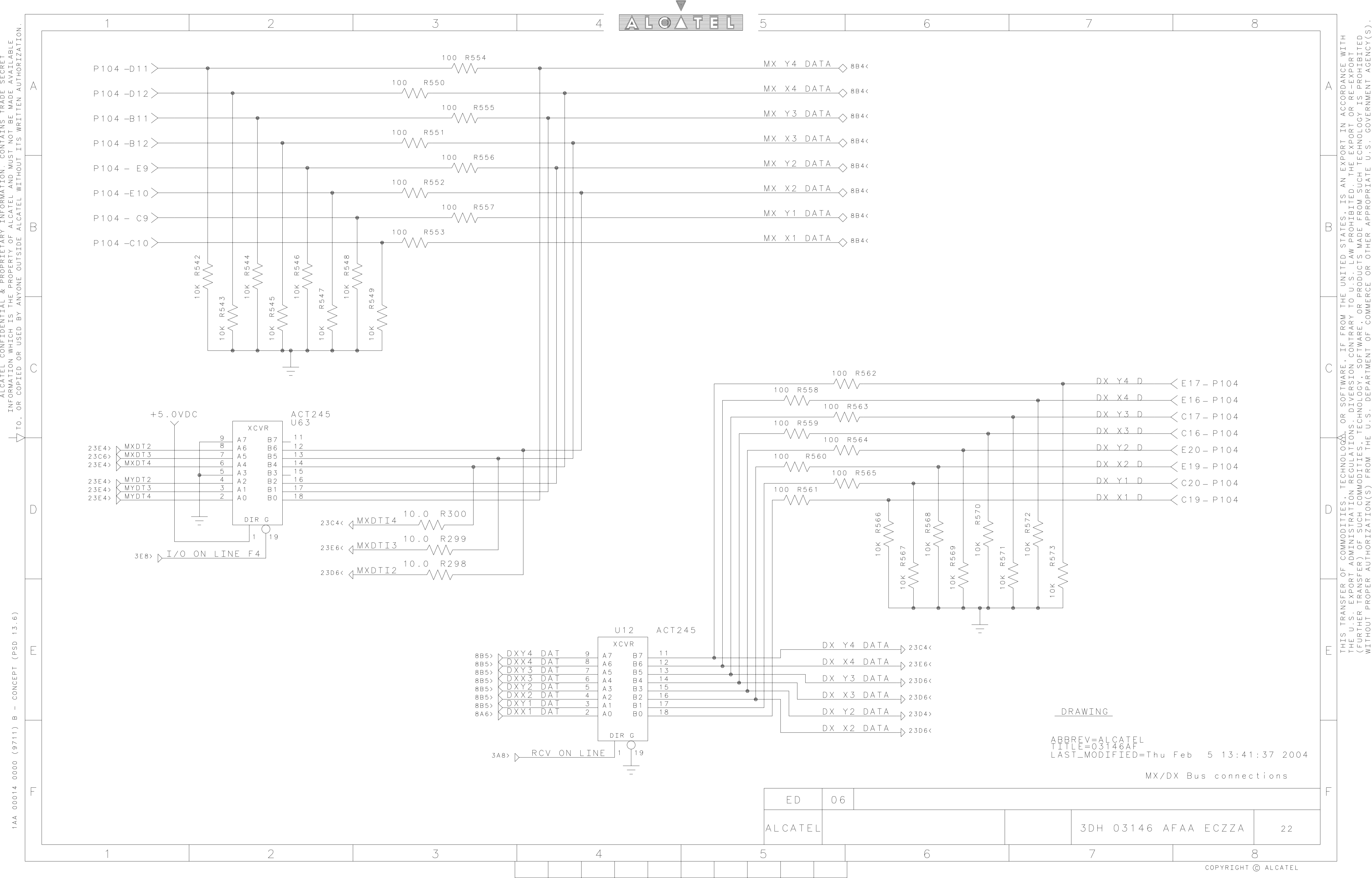


10D2<
17F3<
6D4<
15E4<
19E4<

* NETLIST ONLY FOR PBA VARIANT AAAA

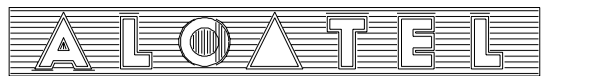
DRAWING
 ABBREV=ALCATEL
 TITLE=03146AF
 LAST_MODIFIED=Thu Feb 5 13:41:35 2004
 Leghorn 8, lines 15 & 16

ED	06			
ALCATEL			3DH 03146 AFAA ECZZA	21



1AA 00014 0000 (9711) B - CONCEPT (PSD 13.6)

ALCATEL CONFIDENTIAL & PROPRIETARY INFORMATION. CONTAINS TRADE SECRET INFORMATION WHICH IS THE PROPERTY OF ALCATEL AND MUST NOT BE MADE AVAILABLE TO, OR COPIED OR USED BY ANYONE OUTSIDE ALCATEL WITHOUT ITS WRITTEN AUTHORIZATION.



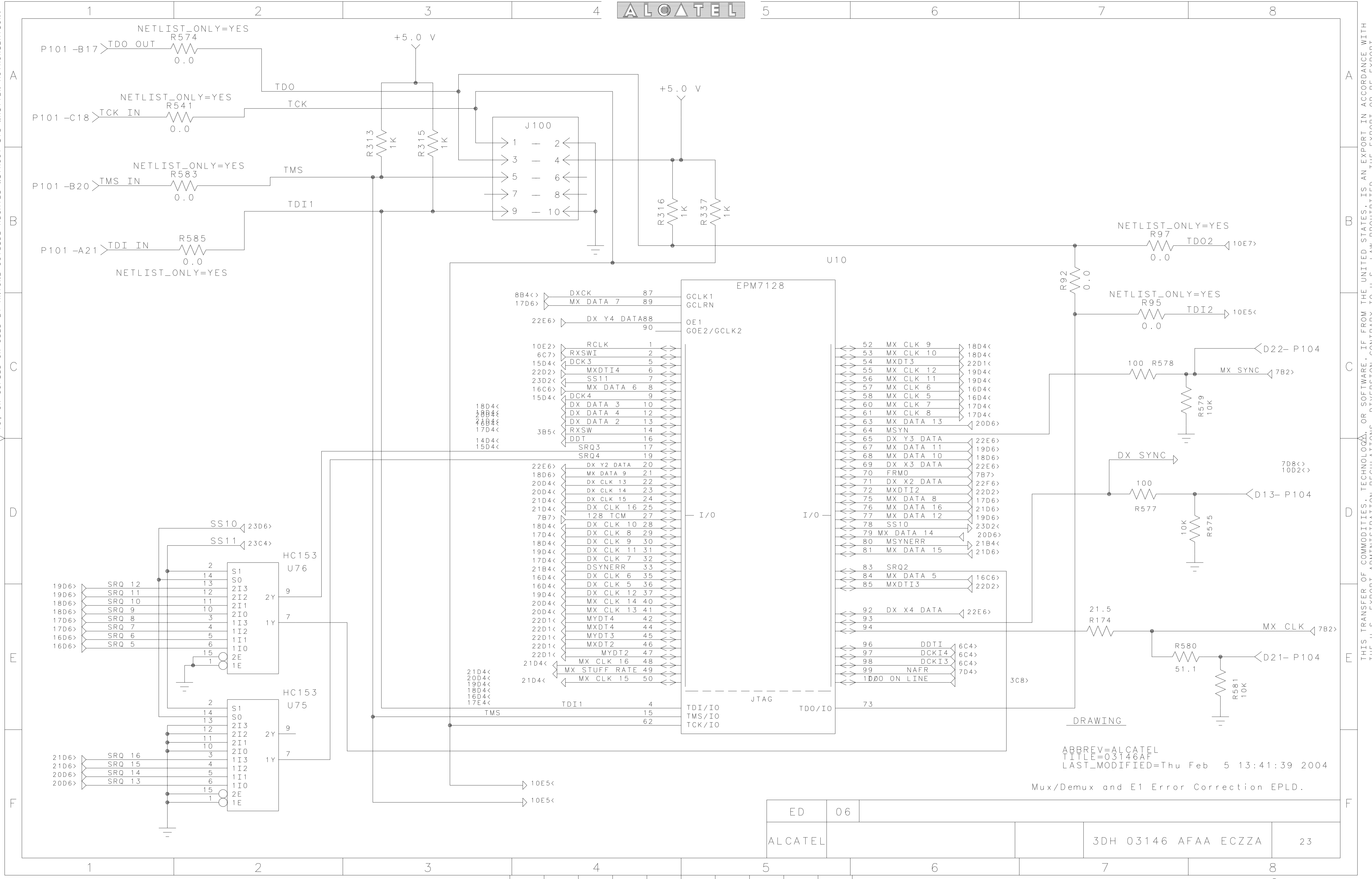
THIS TRANSFER OF COMMODITIES, TECHNOLOGY, OR SOFTWARE, IF FROM THE UNITED STATES, IS AN EXPORT IN ACCORDANCE WITH THE U.S. EXPORT ADMINISTRATION REGULATIONS. DIVERSION CONTRARY TO U.S. LAW PROHIBITED. THE EXPORT OR RE-EXPORT (FURTHER TRANSFER) OF SUCH COMMODITIES, TECHNOLOGY, SOFTWARE, OR PRODUCTS MADE FROM SUCH TECHNOLOGY IS PROHIBITED WITHOUT PROPER AUTHORIZATION(S) FROM THE U.S. DEPARTMENT OF COMMERCE OR OTHER APPROPRIATE U.S. GOVERNMENT AGENCY(S).

DRAWING
 ABBREV=ALCATEL
 TITLE=03146AF
 LAST_MODIFIED=Thu Feb 5 13:41:37 2004

MX/DX Bus connections

ED	06			
ALCATEL			3DH 03146 AFAA ECZZA	22

1AA 00014 0000 (9711) B - CONCEPT (PSD 13.6)



ABBREV=ALCATEL
 TITLE=03146AF
 LAST_MODIFIED=Thu Feb 5 13:41:39 2004

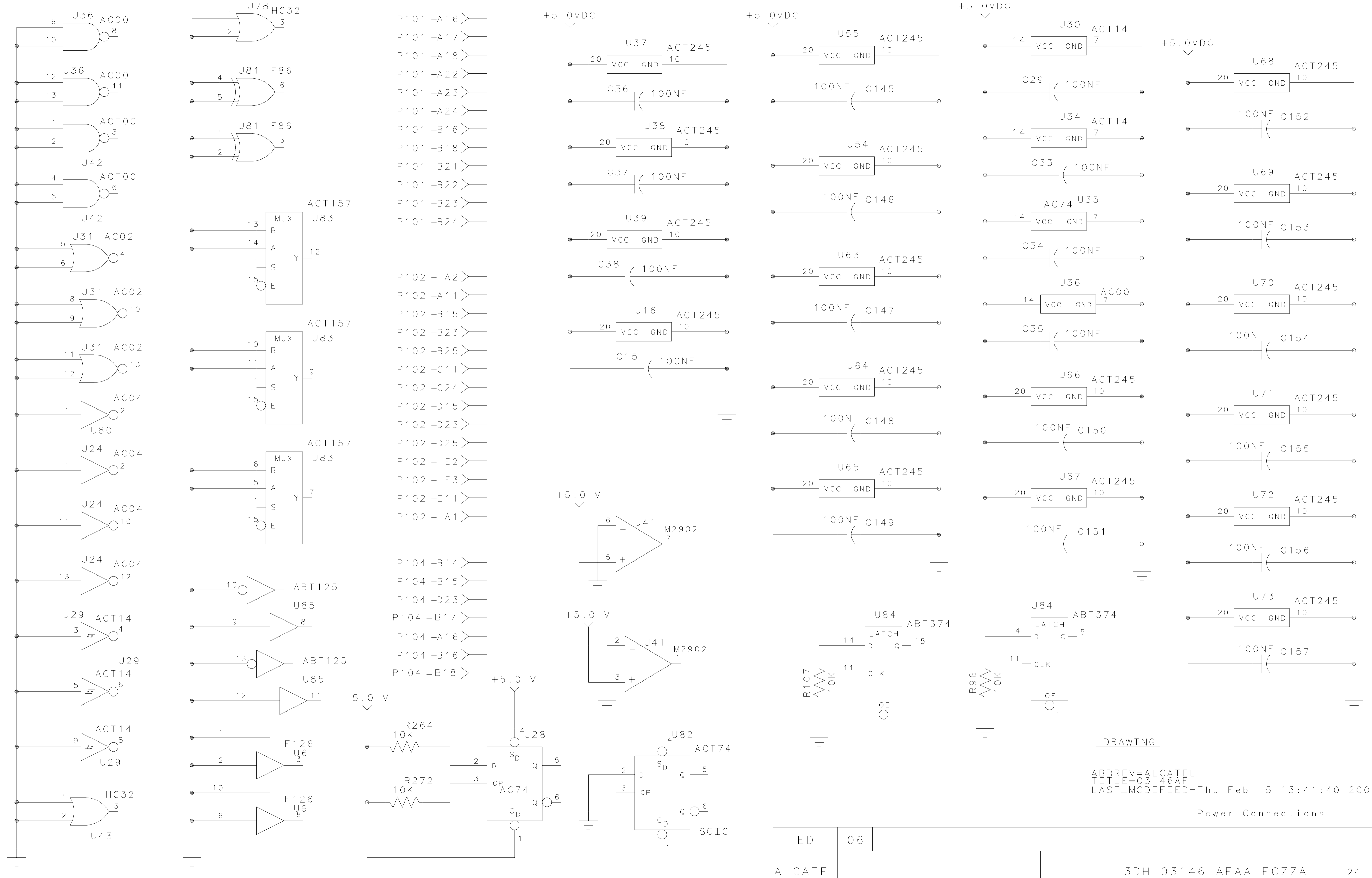
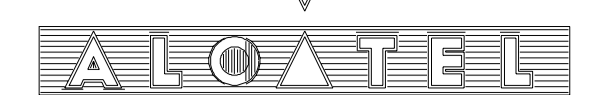
Mux/Demux and E1 Error Correction EPLD.

ED	06			
ALCATEL			3DH 03146 AFAA ECZZA	23

THIS TRANSFER OF COMMODITIES, TECHNOLOGY OR SOFTWARE, IF FROM THE UNITED STATES, IS AN EXPORT IN ACCORDANCE WITH THE U.S. EXPORT ADMINISTRATION REGULATIONS. DIVERSION CONTRARY TO U.S. LAW PROHIBITED. THE EXPORT OR RE-EXPORT (FURTHER TRANSFER) OF SUCH COMMODITIES, TECHNOLOGY, SOFTWARE, OR PRODUCTS MADE FROM SUCH TECHNOLOGY IS PROHIBITED WITHOUT PROPER AUTHORIZATION(S) FROM THE U.S. DEPARTMENT OF COMMERCE OR OTHER APPROPRIATE U.S. GOVERNMENT AGENCY(S).

14A 00014 0000 (9711) B - CONCEPT (PSD 13.6)

ALCATEL CONFIDENTIAL & PROPRIETARY INFORMATION. CONTAINS TRADE SECRET INFORMATION WHICH IS THE PROPERTY OF ALCATEL AND MUST NOT BE MADE AVAILABLE TO, OR COPIED OR USED BY ANYONE OUTSIDE ALCATEL WITHOUT ITS WRITTEN AUTHORIZATION.

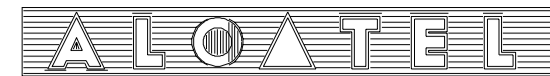
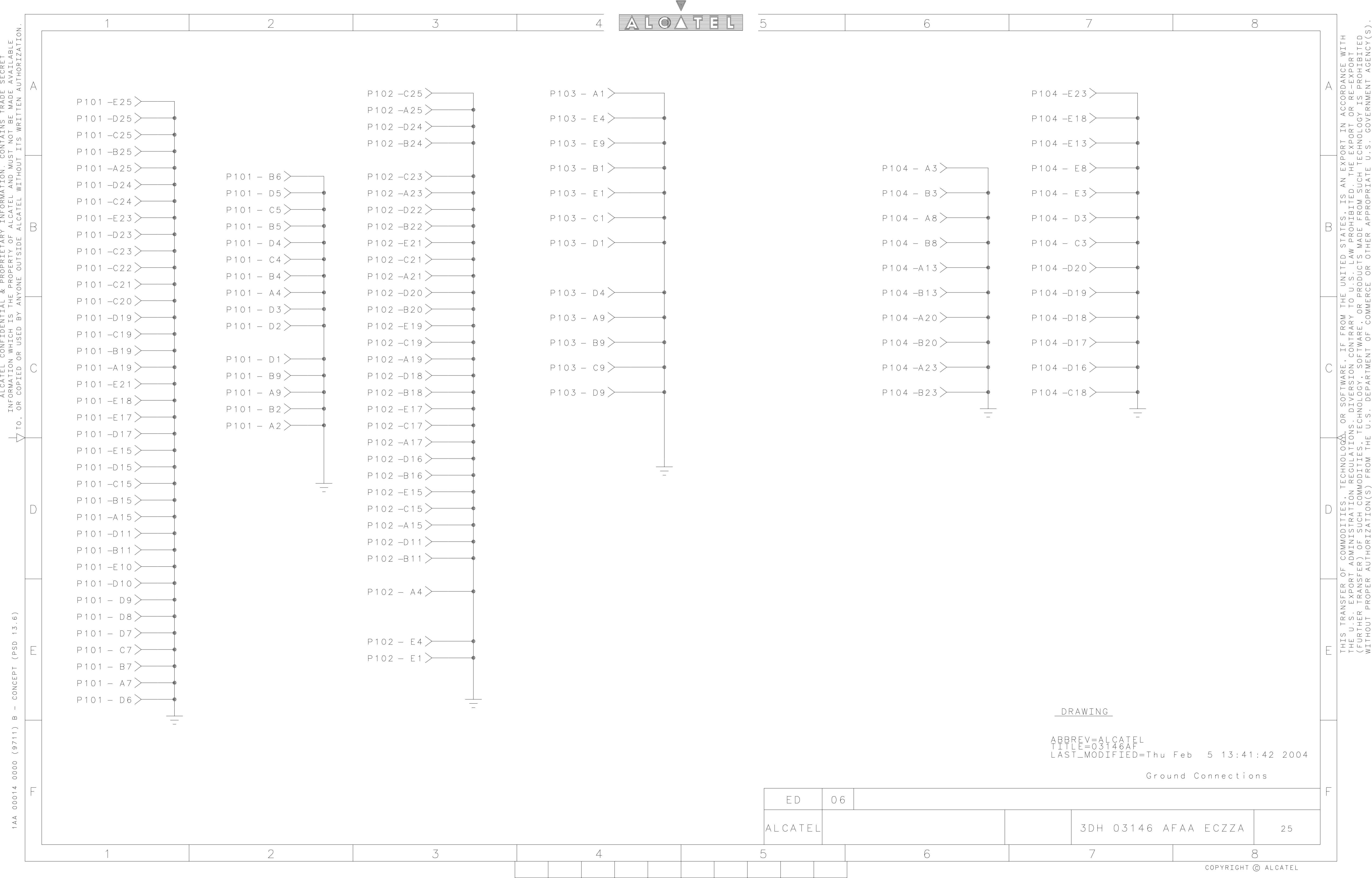


ABBREV=ALCATEL
 TITLE=03146AF
 LAST_MODIFIED=Thu Feb 5 13:41:40 2004

Power Connections

ED	06		
ALCATEL		3DH 03146 AFAA ECZZA	24

THIS TRANSFER OF COMMODITIES, TECHNOLOGY, OR SOFTWARE, IF FROM THE UNITED STATES, IS AN EXPORT IN ACCORDANCE WITH THE U.S. EXPORT ADMINISTRATION REGULATIONS. DIVERSION CONTRARY TO U.S. LAW PROHIBITED. THE EXPORT OR RE-EXPORT (FURTHER TRANSFER) OF SUCH COMMODITIES, TECHNOLOGY, SOFTWARE, OR PRODUCTS MADE FROM SUCH TECHNOLOGY IS PROHIBITED WITHOUT PROPER AUTHORIZATION(S) FROM THE U.S. DEPARTMENT OF COMMERCE OR OTHER APPROPRIATE U.S. GOVERNMENT AGENCY(S).



1AA 00014 0000 (9711) B - CONCEPT (PSD 13.6)
 ALCATEL CONFIDENTIAL & PROPRIETARY INFORMATION. CONTAINS TRADE SECRET INFORMATION WHICH IS THE PROPERTY OF ALCATEL AND MUST NOT BE MADE AVAILABLE TO, OR COPIED OR USED BY ANYONE OUTSIDE ALCATEL WITHOUT ITS WRITTEN AUTHORIZATION.

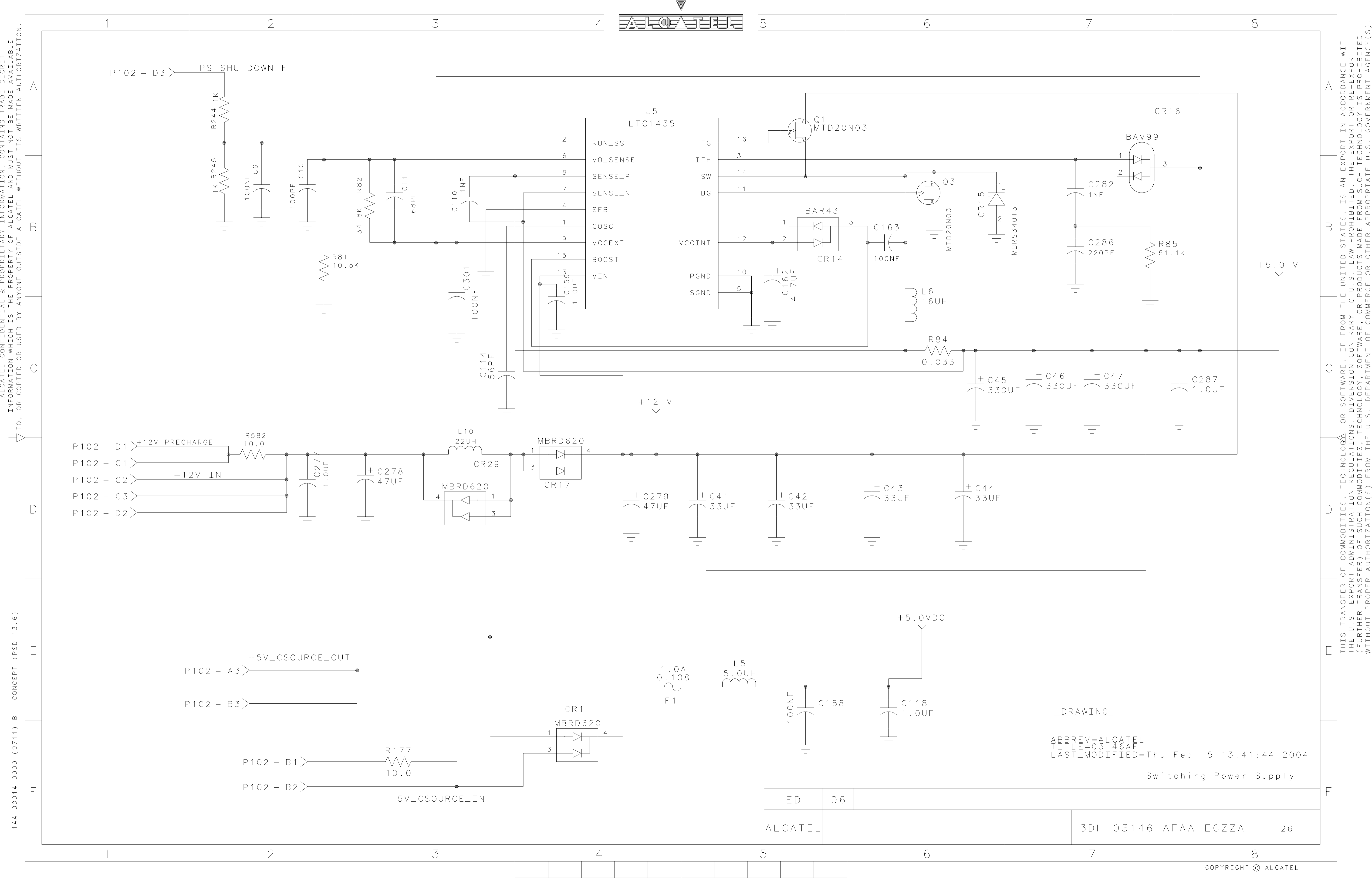
THIS TRANSFER OF COMMODITIES, TECHNOLOGY, OR SOFTWARE, IF FROM THE UNITED STATES, IS AN EXPORT IN ACCORDANCE WITH THE U.S. EXPORT ADMINISTRATION REGULATIONS. DIVERSION CONTRARY TO U.S. LAW PROHIBITED. THE EXPORT OR RE-EXPORT (FURTHER TRANSFER) OF SUCH COMMODITIES, TECHNOLOGY, SOFTWARE, OR PRODUCTS MADE FROM SUCH TECHNOLOGY IS PROHIBITED WITHOUT PROPER AUTHORIZATION(S) FROM THE U.S. DEPARTMENT OF COMMERCE OR OTHER APPROPRIATE U.S. GOVERNMENT AGENCY(S).

DRAWING
 ABBREV=ALCATEL
 TITLE=03146AF
 LAST_MODIFIED=Thu Feb 5 13:41:42 2004

Ground Connections

ED	06			
ALCATEL			3DH 03146 AFAA ECZZA	25

1AA 00014 0000 (9711) B - CONCEPT (PSD 13.6)



DRAWING

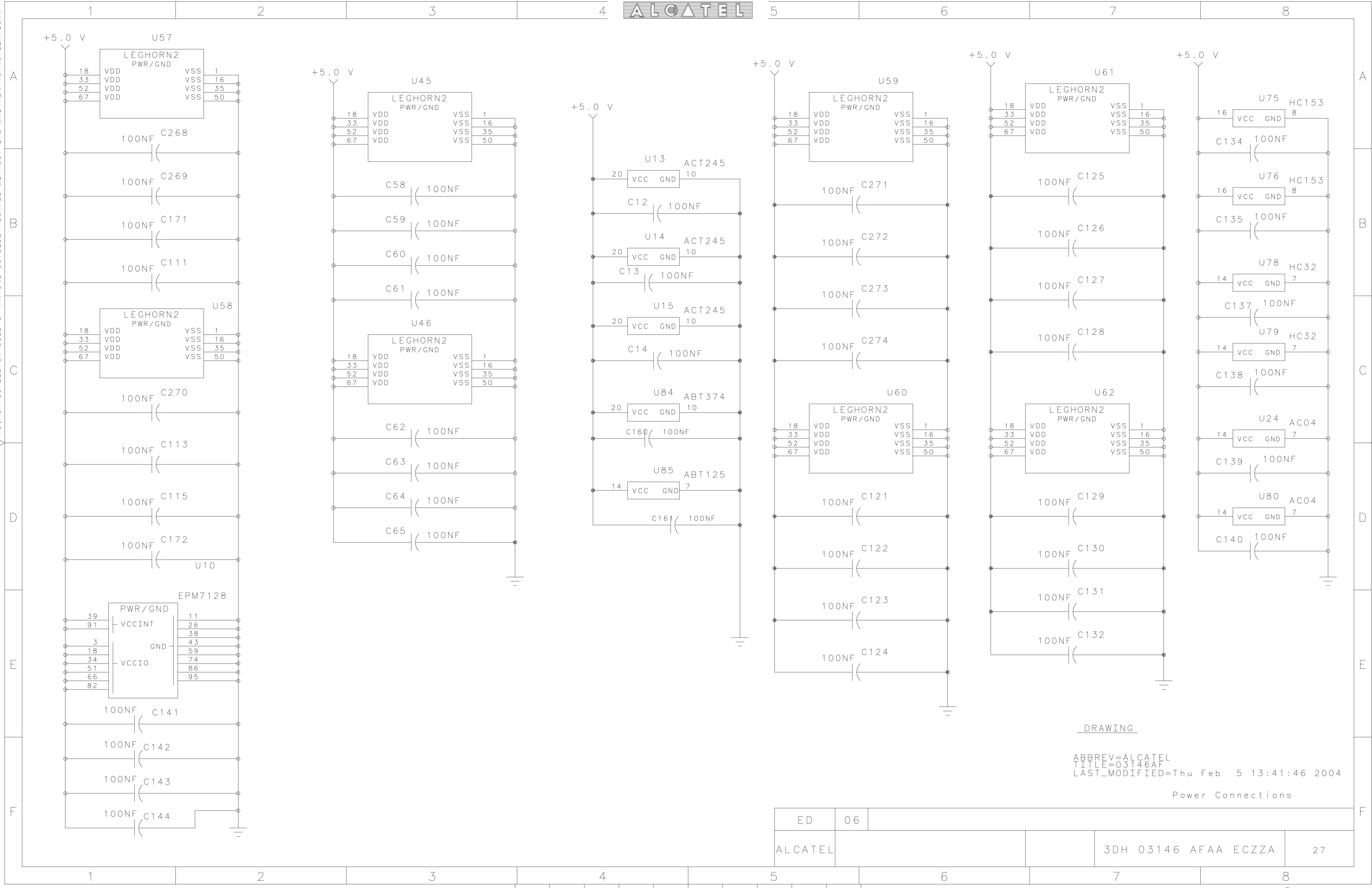
ABBREV=ALCATEL
 TITLE=03146AF
 LAST_MODIFIED=Thu Feb 5 13:41:44 2004

Switching Power Supply

ED	06			
ALCATEL			3DH 03146 AFAA ECZZA	26

THIS TRANSFER OF COMMODITIES, TECHNOLOGY, OR SOFTWARE, IF FROM THE UNITED STATES, IS AN EXPORT IN ACCORDANCE WITH THE U.S. EXPORT ADMINISTRATION REGULATIONS. DIVERSION CONTRARY TO U.S. LAW PROHIBITED. THE EXPORT OR RE-EXPORT (FURTHER TRANSFER) OF SUCH COMMODITIES, TECHNOLOGY, SOFTWARE, OR PRODUCTS MADE FROM SUCH TECHNOLOGY IS PROHIBITED WITHOUT PROPER AUTHORIZATION(S) FROM THE U.S. DEPARTMENT OF COMMERCE OR OTHER APPROPRIATE U.S. GOVERNMENT AGENCY(S).

1AA 00014 0000 (9711) B - CONCEPT (PSD 13.6)



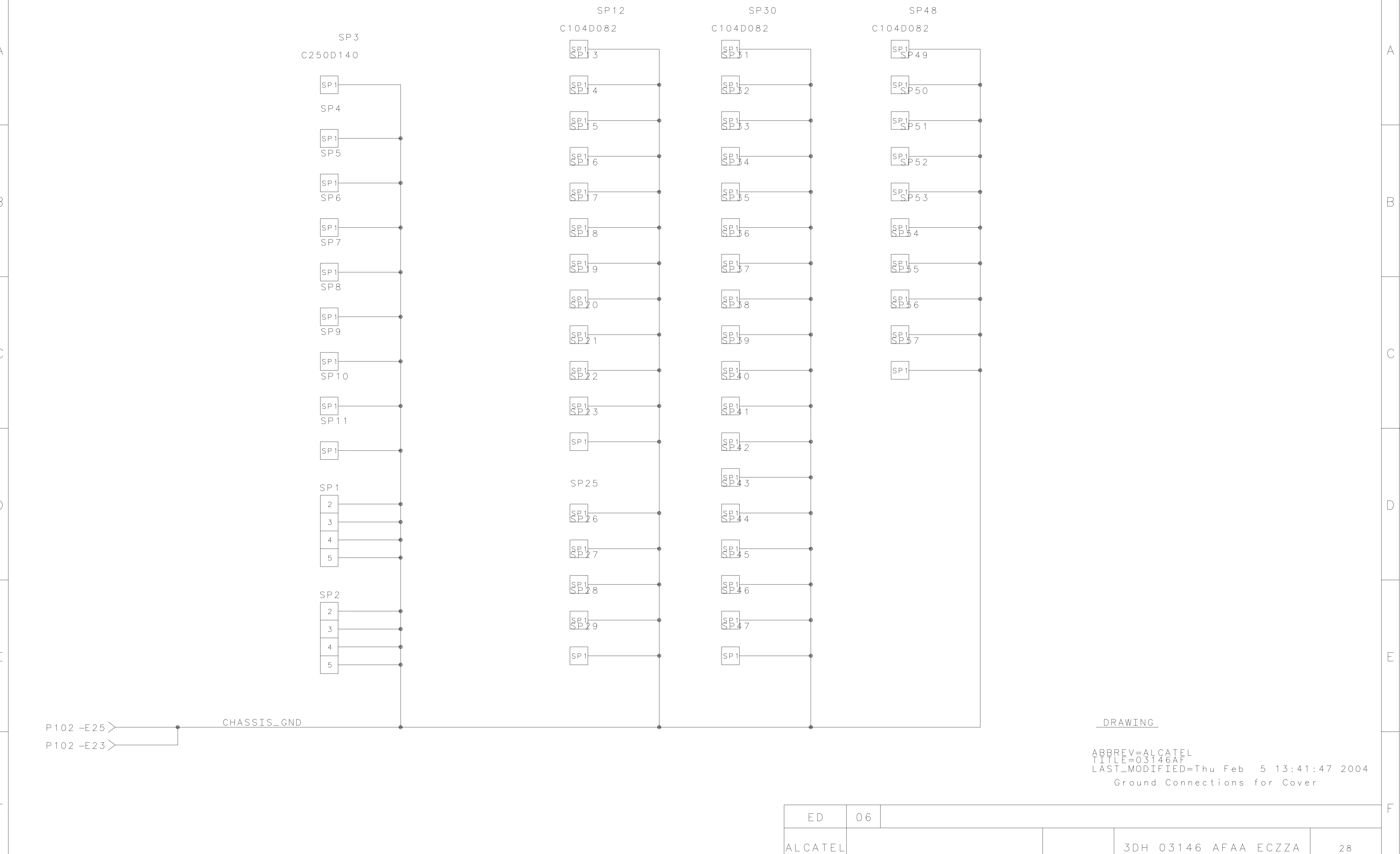
ABBREV=ALCATEL
TITLE=03146AF
LAST_MODIFIED=Thu Feb 5 13:41:46 2004

Power Connections

ED	06			
ALCATEL			3DH 03146 AFAA ECZZA	27

THIS TRANSFER OF COMMODITIES, TECHNOLOGY OR SOFTWARE, IF FROM THE UNITED STATES, IS AN EXPORT IN ACCORDANCE WITH THE U.S. EXPORT ADMINISTRATION REGULATIONS. DIVERSION CONTRARY TO U.S. LAW PROHIBITED. THE EXPORT OR RE-EXPORT (FURTHER TRANSFER) OF SUCH COMMODITIES, TECHNOLOGY, SOFTWARE, OR PRODUCTS MADE FROM SUCH TECHNOLOGY IS PROHIBITED WITHOUT PROPER AUTHORIZATION(S) FROM THE U.S. DEPARTMENT OF COMMERCE OR OTHER APPROPRIATE U.S. GOVERNMENT AGENCY(S).

1AA 00014 0000 (9711) B - CONCEPT (PSD 13.6)



DRAWING

ABBREV=ALCATEL
 TITLE=03146AF
 LAST_MODIFIED=Thu Feb 5 13:41:47 2004
 Ground Connections for Cover

ED	06			
ALCATEL			3DH 03146 AFAA ECZZA	28

ALCATEL CONFIDENTIAL & PROPRIETARY INFORMATION. CONTAINS TRADE SECRET INFORMATION WHICH IS THE PROPERTY OF ALCATEL AND MUST NOT BE MADE AVAILABLE TO, OR COPIED OR USED BY ANYONE OUTSIDE ALCATEL WITHOUT ITS WRITTEN AUTHORIZATION.

THIS TRANSFER OF COMMODITIES, TECHNOLOGY, OR SOFTWARE, IF FROM THE UNITED STATES, IS AN EXPORT IN ACCORDANCE WITH THE U.S. EXPORT ADMINISTRATION REGULATIONS. DIVERSION CONTRARY TO U.S. LAW PROHIBITED. THE EXPORT OR RE-EXPORT (FURTHER TRANSFER) OF SUCH COMMODITIES, TECHNOLOGY, SOFTWARE, OR PRODUCTS MADE FROM SUCH TECHNOLOGY IS PROHIBITED WITHOUT PROPER AUTHORIZATION(S) FROM THE U.S. DEPARTMENT OF COMMERCE OR OTHER APPROPRIATE U.S. GOVERNMENT AGENCY(S).

A B C D E F

*** Signal Cross-Reference ***
--- for the entire design ---

+2.5V 13A8> 6D4<
49 MHZ A 14E5> 15F3<
49 MHZ B 14F5> 16E3< 17E4<
49 MHZ C 14F5> 18E4< 19E4<
49 MHZ D 14F5> 20E4< 21E3<
49MHZ 14F5> 6D1<
128 TCM 7B7> 23D4<
ALL ZERO CLK 7F5> 14D4< 15D4< 16D4< 17E4< 18D4<
19D4< 20D4< 21D4<
CHAN SYNC 2A 16B2<> 16B4<>
CHAN SYNC 2B 17B4<> 17C2<>
CHAN SYNC 3A 18B2<> 18B4<>
CHAN SYNC 3B 19B2<> 19B4<>
CHAN SYNC 4A 20B2<> 20B4<>
CHAN SYNC 4B 21B2<> 21B4<>
COMMON LOSS 6D6> 3D1<
DCK1 6B4> 14D4<
DCK2 6C4> 14D4<
DCK3 23C4> 15D4<
DCK4 23C4> 15D4<
DCKI3 6C4> 23E6<
DCKI4 6C4> 23E6<
DDT 23D4> 14D4< 15D4<
DDTI 6C4> 23E6<
DSYNERR 23D4> 21B4<
DX AIS INS 6E8> 14D6< 15E6< 16D7< 17E7< 18E7<
19E7< 20E7< 21E7<
DX ALIGN 7E7<> 10D2<>
DX CLK 5 23E4> 16D4<
DX CLK 6 23D4> 16D4<
DX CLK 7 23D4> 17D4<
DX CLK 8 23D4> 17D4<
DX CLK 9 23D4> 18D4<
DX CLK 10 23D4> 18D4<
DX CLK 11 23D4> 19D4<
DX CLK 12 23E4> 19D4<
DX CLK 13 23D4> 20D4<
DX CLK 14 23D4> 20D4<
DX CLK 15 23D4> 21D4<
DX CLK 16 23D4> 21D4<
DX DATA 2 23C4> 16D4< 17D4<
DX DATA 3 23C4> 18D4< 19D4<
DX DATA 4 23C4> 20D4< 21D4<
DX SYNC 7D8<> 10D2<> 23D7>
DX X2 DATA 22F6> 23D6<
DX X3 DATA 22E6> 23D6<
DX X4 DATA 22E6> 23E6<
DX Y2 DATA 22E6> 23D4>
DX Y3 DATA 22E6> 23D6<
DX Y4 DATA 22E6> 23C4<
DXCK 8B4<> 23C4<
DXX1 DAT 8A6> 22E3<
DXX2 DAT 8B5> 22E3<
DXX3 DAT 8B5> 22E3<
DXX4 DAT 8B5> 22E3<
DXY1 DAT 8B5> 22E3<
DXY2 DAT 8B5> 22E3<
DXY3 DAT 8B5> 22E3<
DXY4 DAT 8B5> 22E3<
FRM0 7B7> 23D6<
I/O EXP FAIL F 16D7> 14D7<
I/O FAIL F 14D8> 3F1<
I/O ON LINE 3C8> 3E1< 6C7< 6F5< 7B3< 7E3< 23E6<

I/O ON LINE F1 3C8> 7B2< 7D7< 14B8< 14C8< 15B8<
15C8<
I/O ON LINE F2 3D8> 16B8< 16C4< 16C8< 17B8< 17D8<
I/O ON LINE F3 3E8> 18B8< 18C8< 19B8< 19C8<
I/O ON LINE F4 3E8> 20B8< 20C8< 21B8< 21C8< 22D1<
IOSW 6C7> 3C5<
LBOID1 4F1> 14B4<
LBOID2 4F1> 14B4<
LBOID3 4E1> 15B4<
MCK1 6B4> 14D4<
MCK2 6B4> 14D4<
MCK3 6C4> 15D4<
MCK4 6C4> 15D4<
MDT1 14C6> 6B4<
MDT2 14C6> 6B4<
MDT3 15D6> 6C4<
MDT4 15D6> 6C4<
MSYNERR 23D6> 21B4<
MX CLK 7B2> 23E8<
MX CLK 5 23C6> 16D4<
MX CLK 6 23C6> 16D4<
MX CLK 7 23C6> 17D4<
MX CLK 8 23C6> 17D4<
MX CLK 9 23C6> 18D4<
MX CLK 10 23C6> 18D4<
MX CLK 11 23C6> 19D4<
MX CLK 12 23C6> 19D4<
MX CLK 13 23E4> 20D4<
MX CLK 14 23E4> 20D4<
MX CLK 15 23E4> 21D4<
MX CLK 16 23E4> 21D4<
MX DATA 5 16C6> 23D6<
MX DATA 6 16C6> 23C4<
MX DATA 7 17D6> 23C4<
MX DATA 8 17D6> 23D6<
MX DATA 9 18D6> 23D4>
MX DATA 10 18D6> 23D6<
MX DATA 11 19D6> 23D6<
MX DATA 12 19D6> 23D6<
MX DATA 13 20D6> 23C6<
MX DATA 14 20D6> 23D6<
MX DATA 15 21D6> 23D6<
MX DATA 16 21D6> 23D6<
MX STUFF RATE 23E4> 16D4< 17E4< 18D4< 19D4< 20D4<
21D4<
MX SYNC 7B2> 23C8<
MX X1 DATA 22B6<> 8B4<
MX X2 DATA 22B6<> 8B4<
MX X3 DATA 22A6<> 8B4<
MX X4 DATA 22A6<> 8B4<
MX Y1 DATA 22B6<> 8B4<
MX Y2 DATA 22B6<> 8B4<
MX Y3 DATA 22A6<> 8B4<
MX Y4 DATA 22A6<> 8B4<
MXDT2 23E4> 22D1<
MXDT3 23C6> 22D1<
MXDT4 23E4> 22D1<
MXDTI2 22D2> 23D6<
MXDTI3 22D2> 23E6<
MXDTI4 22D2> 23C4<
MYDT2 23E4> 22D1<
MYDT3 23E4> 22D1<
MYDT4 23E4> 22D1<
NAFR 7D4> 7B7< 14D4< 15E4< 16B4< 16D4<
17E4< 18E4< 19E4< 20E4< 21D4< 23E6<
NAFR IN 7B6> 7E2<
RBCK 10E2> 10A7< 10C2< 10C4<

RCLK 10E2> 10A7< 23C4<
RCV ON LINE 3A8> 3B1< 6C7< 6D6< 8C3< 8D5< 22F3<
RCV ON LINE F 3B8> 7E7< 7F6< 8B5<
RFLS 6D6> 3C1<
RSTF1 13C6> 3D4< 7E3< 10E5< 14A4< 15A3<
16A4< 17A4< 18A4< 19A4< 20A4< 21A4<
RXI0 D 10C1> 10C4<
RXI1 D 10C1> 10C4<
RXI2 D 10C1> 10C4<
RXI3 D 10C1> 10C4<
RXI4 D 10C1> 10C4<
RXI5 D 10B1> 10C4<
RXI6 D 10B1> 10B4<
RXQ0 D 10B1> 10B4<
RXQ1 D 10B1> 10B4<
RXQ2 D 10B1> 10B4<
RXQ3 D 10B1> 10B4<
RXQ4 D 10B1> 10B4<
RXQ5 D 10B1> 10B4<
RXQ6 D 10B1> 10B4<
RXSW 23C4> 3B5<
RXSWI 6C7> 23C4<
SCLK 6B4> 10D2< 14E4< 15E4< 16E4< 17E4<
18E4< 19E4< 20E4< 21E3<
SDAT 6D4<> 14E4<> 15E4<> 16E3<> 17F3<>
18E4<> 19E4<> 20E3<> 21E3<> 10D2<
SELECT0 5E5> 10D2<
SELECT1 5E5> 10D2<
SELECT2 5E5> 10D2<
SELECT3 5F5> 10D2<
SENB 5D7> 6A7< 6C4< 14E4< 15E4<
SER EN 5-8 5C7> 6A7< 16E4< 17E4<
SER EN 9-12 5C7> 6A7< 18E4< 19E4<
SER EN 13-16 5C7> 6A7< 20E4< 21E3<
SRQ 5 16D6> 23E1<
SRQ 6 16D6> 23E1<
SRQ 7 17D6> 23E1<
SRQ 8 17D6> 23E1<
SRQ 9 18D6> 23E1<
SRQ 10 18D6> 23E1<
SRQ 11 19D6> 23E1<
SRQ 12 19D6> 23E1<
SRQ 13 20D6> 23F1<
SRQ 14 20D6> 23F1<
SRQ 15 21D6> 23F1<
SRQ 16 21D6> 23F1<
SS10 23D6> 23D2<
SS11 23C4> 23D2<
STFR 6B4> 14D4< 15E4<
STQ1 14D6> 6B4<
STQ2 14D6> 6B4<
STQ3 15D6> 6C4<
STQ4 15D6> 6C4<
SYNC FAIL LED CNTRL 21D7> 3E1<
T16S 7C3> 6E6<
TCK 23F4> 10E5<
TCLK 6E5> 10E5<
TDI2 23C8> 10E5<
TDO2 10E7> 23B8<
TEO 15E6> 14B4< 15B4<
TEO ENABLE 2 18D7> 16B4< 17B4<
TEO ENABLE 3 19D7> 18B4< 19B4<
TEO ENABLE 4 20D7> 20B4< 21B4<
TMS 23F4> 10E5<
TO PIN 57 17E7> 17C4<
TSCF 7D6> 8F3<

I/O INTFC

CROSS REFERENCE

ED	06						
ALCATEL						3DH 03146 AFAA ECZZA	29

THIS TRANSFER OF COMMODITIES, TECHNOLOGY, OR SOFTWARE, IF FROM THE UNITED STATES, IS AN EXPORT IN ACCORDANCE WITH THE U.S. EXPORT ADMINISTRATION REGULATIONS. DIVERSION CONTRARY TO U.S. LAW PROHIBITED. THE EXPORT OR RE-EXPORT (FURTHER TRANSFER) OF SUCH COMMODITIES, TECHNOLOGY, SOFTWARE, OR PRODUCTS MADE FROM SUCH TECHNOLOGY IS PROHIBITED WITHOUT PROPER AUTHORIZATION(S) FROM THE U.S. DEPARTMENT OF COMMERCE OR OTHER APPROPRIATE U.S. GOVERNMENT AGENCY(S).

14A 00014 0000 (9711) B - CONCEPT (PSD 13.6)

1	2	3	4	5	6	7	8
<p>*** Unit Cross-Reference *** --- for the entire design ---</p>							
C1 CAP 12F1 C2 CAP 12A1 C3 CAP 12B1 C4 CAP 12C1 C5 CAP 12C1 C6 CAP 26B2 C7 CAP 12D1 C8 CAP 12E1 C9 CAP 12E1 C10 CAP 26B2 C11 CAP 26B3 C12 CAP 27B4 C13 CAP 27B4 C14 CAP 27C4 C15 CAP 24C4 C16 CAP 12A7 C17 CAP 12A5 C18 CAP 12B5 C19 CAP 12C5 C20 CAP 12C7 C21 CAP 12C7 C22 CAP 12D5 C23 CAP 12E5 C24 CAP 12B6 C25 CAP 12B8 C26 CAP 12B8 C27 CAP 12A7 C28 CAP 12B7 C29 CAP 24A6 C30 CAP 12C6 C31 CAP 12C6 C32 CAP 12D7 C33 CAP 24B6 C34 CAP 24B6 C35 CAP 24C6 C36 CAP 24A4 C37 CAP 24B4 C38 CAP 24B4 C39 CAP 12E4 C40 CAP 13B7 C41 CAPP 26D5 C42 CAPP 26D5 C43 CAPP 26D6 C44 CAPP 26D6 C45 CAPP 26C6 C46 CAPP 26C7 C47 CAPP 26C7 C48 CAP 6C3 C50 CAP 12B4 C51 CAP 12C4 C52 CAP 12C4 C53 CAP 12C4 C54 CAP 12C4 C55 CAP 12C4 C58 CAP 27B3 C59 CAP 27B3 C60 CAP 27B3 C61 CAP 27B3 C62 CAP 27C3 C63 CAP 27D3 C64 CAP 27D3 C65 CAP 27D3 C66 CAP 14C2 C67 CAP 14D2	C68 CAP 14B1 C69 CAP 14A2 C70 CAP 14D2 C71 CAP 14B2 C72 CAP 14D1 C73 CAP 14C2 C74 CAP 14F1 C75 CAP 14B2 C76 CAP 14C2 C77 CAP 14D3 C78 CAP 14B3 C79 CAP 14C2 C80 CAP 14C2 C81 CAP 14F3 C82 CAP 14A2 C83 CAP 14A3 C84 CAP 14E3 C85 CAP 14E3 C86 CAP 21C2 C87 CAP 14D4 C88 CAP 15A1 C89 CAP 15B1 C90 CAP 15C1 C91 CAP 15D1 C92 CAP 15B2 C93 CAP 15D2 C94 CAP 15B2 C95 CAP 15D2 C96 CAP 15C3 C97 CAP 15C2 C98 CAP 15E3 C99 CAP 15A2 C100 CAP 15B3 C101 CAP 15C3 C102 CAP 15D3 C103 CAP 15E3 C104 CAPP 6F1 C105 CAPP 6F2 C106 CAPP 6F2 C107 CAP 14A3 C108 CAP 15A3 C109 CAPP 6E2 C110 CAP 26B3 C111 CAP 27B1 C112 CAP 12E7 C113 CAP 27D1 C114 CAP 26C3 C115 CAP 27D1 C116 CAP 13D5 C117 CAP 12C5 C118 CAP 26E6 C119 CAP 12D7 C120 CAP 12E7 C121 CAP 27D5 C122 CAP 27D5 C123 CAP 27E5 C124 CAP 27E5 C125 CAP 27B7 C126 CAP 27B7 C127 CAP 27B7 C128 CAP 27C7 C129 CAP 27D7 C130 CAP 27D7 C131 CAP 27E7 C132 CAP 27E7 C133 CAP 12E7 C134 CAP 27A8	C135 CAP 27B8 C136 CAP 12D1 C137 CAP 27C8 C138 CAP 27C8 C139 CAP 27D8 C140 CAP 27D8 C141 CAP 27E1 C142 CAP 27F1 C143 CAP 27F1 C144 CAP 27F1 C145 CAP 24A5 C146 CAP 24B5 C147 CAP 24C5 C148 CAP 24C5 C149 CAP 24D5 C150 CAP 24C7 C151 CAP 24D7 C152 CAP 24A8 C153 CAP 24B8 C154 CAP 24C8 C155 CAP 24D8 C156 CAP 24D8 C157 CAP 24E8 C158 CAP 26E5 C159 CAP 26B4 C160 CAP 27C4 C161 CAP 27D4 C162 CAPP 26B5 C163 CAP 26B6 C165 CAP 19B3 C166 CAP 20B3 C167 CAP 21B3 C168 CAP 17E3 C169 CAP 16A3 C170 CAP 21D3 C171 CAP 27B1 C172 CAP 27D1 C173 CAP 16C1 C174 CAP 16D1 C175 CAP 16B1 C176 CAP 16A1 C177 CAP 16D2 C178 CAP 16B2 C179 CAP 16C2 C180 CAP 16B2 C181 CAP 16C2 C182 CAP 16D3 C183 CAP 16B3 C184 CAP 16C2 C185 CAP 16C3 C186 CAP 16A2 C187 CAP 16A2 C188 CAP 16D4 C189 CAP 21C3 C190 CAP 17B2 C191 CAP 18A2 C192 CAP 19A2 C193 CAP 20A2 C194 CAP 21A2 C195 CAP 17B3 C196 CAP 18B3 C197 CAP 17C1 C198 CAP 17D1 C199 CAP 17B1 C200 CAP 17A2 C201 CAP 17D2 C202 CAP 17C2	C203 CAP 17B2 C204 CAP 17D2 C205 CAP 17B2 C206 CAP 17C2 C207 CAP 17D2 C208 CAP 17D3 C209 CAP 17C3 C210 CAP 17B3 C211 CAP 18C1 C212 CAP 18D1 C213 CAP 18B1 C214 CAP 18A2 C215 CAP 18C2 C216 CAP 18D2 C217 CAP 18B2 C218 CAP 18D2 C219 CAP 18B2 C220 CAP 18C2 C221 CAP 18C3 C222 CAP 18D3 C223 CAP 18C3 C224 CAP 18A3 C225 CAP 18D4 C226 CAP 19C1 C227 CAP 19D1 C228 CAP 19B1 C229 CAP 19A2 C230 CAP 19D2 C231 CAP 19C2 C232 CAP 19B2 C233 CAP 19D2 C234 CAP 19B2 C235 CAP 19C2 C236 CAP 19C2 C237 CAP 19D3 C238 CAP 19C3 C239 CAP 19A3 C240 CAP 19D3 C241 CAP 20C1 C242 CAP 20D2 C243 CAP 20A2 C244 CAP 20B1 C245 CAP 20D2 C246 CAP 20C2 C247 CAP 20B2 C248 CAP 20D2 C249 CAP 20B2 C250 CAP 20C2 C251 CAP 20C3 C252 CAP 20D3 C253 CAP 20C3 C254 CAP 20A3 C255 CAP 20E4 C256 CAP 21C1 C257 CAP 21D1 C258 CAP 21A2 C259 CAP 21B1 C260 CAP 21D2 C261 CAP 21C2 C262 CAP 21B2 C263 CAP 21D2 C264 CAP 21B2 C265 CAP 21D3 C266 CAP 21C3 C267 CAP 21A3 C268 CAP 27A1 C269 CAP 27B1				
1	2	3	4	5	6	7	8

ALCATEL CONFIDENTIAL & PROPRIETARY INFORMATION. CONTAINS TRADE SECRET INFORMATION WHICH IS THE PROPERTY OF ALCATEL AND MUST NOT BE MADE AVAILABLE TO, OR COPIED OR USED BY ANYONE OUTSIDE ALCATEL WITHOUT ITS WRITTEN AUTHORIZATION.

THIS TRANSFER OF COMMODITIES, TECHNOLOGY, OR SOFTWARE, IF FROM THE UNITED STATES, IS AN EXPORT IN ACCORDANCE WITH THE U.S. EXPORT ADMINISTRATION REGULATIONS. DIVERSION CONTRARY TO U.S. LAW PROHIBITED. THE EXPORT OR RE-EXPORT (FURTHER TRANSFER) OF SUCH COMMODITIES, TECHNOLOGY, SOFTWARE, OR PRODUCTS MADE FROM SUCH TECHNOLOGY IS PROHIBITED WITHOUT PROPER AUTHORIZATION(S) FROM THE U.S. DEPARTMENT OF COMMERCE OR OTHER APPROPRIATE U.S. GOVERNMENT AGENCY(S).

I/O INTFC		CROSS REFERENCE	
ED	06		
ALCATEL		3DH 03146 AFAA ECZZA	30

1AA 00014 0000 (9711) B - CONCEPT (PSD 13.6)

C270	CAP	27C1
C271	CAP	27B5
C272	CAP	27B5
C273	CAP	27B5
C274	CAP	27C5
C275	CAP	12E6
C276	CAP	12D4
C277	CAP	26D2
C278	CAPP	26D3
C279	CAPP	26D4
C282	CAP	26B7
C283	CAP	12E4
C284	CAP	12F4
C285	CAP	14F3
C286	CAP	26B7
C287	CAP	26C8
C300	CAP	12D4
C301	CAP	26B3
C302	CAP	12B2
C303	CAP	12C2
C304	CAP	12D2
C305	CAP	12D2
C306	CAP	12E2
C307	CAP	12E2
C308	CAP	12F2
C309	CAP	12C3
C310	CAP	12C3
C311	CAP	12D3
C312	CAP	12D3
C313	CAP	12E3
C314	CAP	12E3
C315	CAP	12F3
CR1	SHKY_DUAL_COMCATHODE1	26E4
CR2	SHKY_DUAL_COMANODE	3D5
CR3	SHKY_DUAL_COMANODE	16B3
CR4	SHKY_DUAL_COMANODE	16D3
CR5	SHKY_DUAL_COMANODE	14D2
CR6	SHKY_DUAL_COMANODE	14B2
CR7	SHKY_DUAL_COMANODE	14D3
CR8	SHKY_DUAL_COMANODE	14B3
CR9	SHKY_DUAL_COMANODE	15C2
CR10	SHKY_DUAL_COMANODE	15E2
CR11	SHKY_DUAL_COMANODE	15C3
CR12	SHKY_DUAL_COMANODE	15E3
CR13	SHKY_DUAL_COMANODE	8B3
CR14	SHKY_DUAL	26B5
CR15	SHKY_DIODE	26B6
CR16	DIODE_SWITCHING	26A7
CR17	SHKY_DUAL_COMCATHODE1	26D4
CR18	SHKY_DUAL_COMANODE	20C2
CR19	SHKY_DUAL_COMANODE	20E3
CR20	SHKY_DUAL_COMANODE	20C3
CR21	SHKY_DUAL_COMANODE	21D2
CR22	SHKY_DUAL_COMANODE	21B2
CR23	SHKY_DUAL_COMANODE	21D3
CR24	SHKY_DUAL_COMANODE	21C3
CR25	SHKY_DUAL_COMANODE	18B2
CR26	SHKY_DUAL_COMANODE	18D3
CR27	SHKY_DUAL_COMANODE	18C3
CR28	SHKY_DUAL_COMANODE	17E2
CR29	SHKY_DUAL_COMCATHODE1	26D3
CR42	SHKY_DUAL_COMANODE	17C2
CR43	SHKY_DUAL_COMANODE	17E3
CR44	SHKY_DUAL_COMANODE	17C3
CR45	SHKY_DUAL_COMANODE	18D2
CR46	SHKY_DUAL_COMANODE	16B2
CR47	SHKY_DUAL_COMANODE	16D2

CR48	SHKY_DUAL_COMANODE	19D2
CR49	SHKY_DUAL_COMANODE	19B2
CR50	SHKY_DUAL_COMANODE	19D3
CR51	SHKY_DUAL_COMANODE	19C3
CR52	SHKY_DUAL_COMANODE	20D2
CR55	SHKY_DIODE	11E6
DS1	LED	3B4
DS2	LED	3C4
DS3	LED	3D4
DS4	LED	3E4
DS5	LED	3F4
DS6	LED	3D4
F1	FUSE	26E4
J100	V10H0	23A4 23A4 23B4 23B4
L1	IND	14E1
L2	IND	14E3
L3	IND	14E3
L5	IND	26E5
L6	IND	26B6
L10	IND	26C3
N1	ATP	10D4
N2	ATP	10D4
N3	ATP	10E4
N4	ATP	10E4
N5	ATP	10E4
N6	ATP	10E4
N7	ATP	10D5
N8	ATP	10D5
N9	ATP	10D5
N10	ATP	10E5
N11	ATP	10E5
N12	ATP	10E5
P101	RA110R0	6C1 6C1 6D1 6D8 6E1 7A2 7A8 7A8 7A8 7B8 10B1 10B1 10B1 10C1 10C1 10E1 10E1 11B8 11B8 11B8 11C8 11C8 11D8 23A1 23A1 23B1 23B1 24A3 24B3 25A1 25A1 25B1 25B1 25B1 25B2 25B2 25B2 25B2 25C1 25C1 25C1 25C1 25C1 25C2 25C2 25C2 25D1 25D1 25D1 25D1 25D1 25E1 25E1 25E1 25E1 25E1 25E1
P102	RA110R0	3A1 3A4 3C4 4B1 4B1 4C1 4C1 4C1 4D1 4D1 5C1 6A1 6B1 6C1 6C8 7C8 7C8 7D1 7D8 7D8 11E4 24B3 24C3 24C3 24D3 24D3 25A3 25B3 25B3 25C3 25C3 25C3 25D3 25D3 25D3 25E3 25E3 26A1 26D1 26E2 26F2 28E1 28F1
P103	RA55R0	4E1 4F1 8B8 8C8 8D4 8D8 8E8 14A8 14B8 14C8 15A8 15B8 15C8 16A8 16B8 16C8 17B8 17C8 18A8 18B8 18C8 19A8 19B8 25A4 25A4 25B4 25C4 25C4
P104	RA125R0	3A8 3B5 3B8 3C4 6E8 7E8 7F1 8A1 8B1 8C1 8C5 8D1 8E1 14A1 14A3 14B1 14C1 14D1 15A1 15A2 15B1 15D1 16A1 16B1 16B1 16C1 16D1 17B1 17C1 17D1 18A1 18B1 18C1 18D1 19A1 19B1 19C1 19C8 19D1 20A1 20A8 20B1 20B8 20C8 20D1 21A1 21A8 21B1 21B1 21B8 21C1 21C8 21D1 22A1 22B1 22B1 22C8 22C8 22D8 22D8 23C8 23D8 23E8 24D3 24E3 25A7 25B6 25B7 25B7 25B7 25C6 25C6 25C7 25C7 25C7 25C7
P201	V20H0	6E2 6E3 7B8 7B8 7B8 7B8 7C8 7C8 7C8
Q1	FET_N	26A5
Q2	NPN_R	14E3
Q3	FET_N	26B6
Q4	NPN_R	3E3

Q5	NPN_R	3F3
Q6	NPN_R	3B3
Q7	NPN_R	3C3
Q8	NPN_R	3D3
Q9	NPN_R	3D3
R1	RES	3A1
R2	RES	3A2
R3	RES	3B4
R4	RES	3C3
R5	RES	3E3
R6	RES	3F3
R7	RES	3D4
R8	RES	3D3
R9	RES	3A5
R10	RES	3B5
R11	RES	3A5
R12	RES	3C5
R13	RES	19A2
R14	RES	3B6
R15	RES	3D5
R16	RES	17B1
R17	RES	3C6
R18	RES	19B2
R19	RES	20B2
R20	RES	21B1
R21	RES	17E2
R22	RES	18D2
R23	RES	19D2
R24	RES	3A7
R25	RES	14C1
R26	RES	14D2
R27	RES	14A1
R28	RES	14A2
R29	RES	14E1
R30	RES	14D2
R31	RES	14B2
R32	RES	14D2
R33	RES	14C2
R34	RES	14E2
R35	RES	14F2
R36	RES	14D2
R37	RES	14F2
R38	RES	14C3
R39	RES	14F2
R40	RES	14D3
R41	RES	14B3
R42	RES	14D3
R43	RES	14C3
R44	RES	14A3
R45	RES	14A3
R46	RES	14B3
R47	RES	14C4
R48	RES	14D4
R49	RES	14B4
R50	RES	14C4
R51	RES	14E4
R52	RES	14B4
R53	RES	14C4
R54	RES	14C4
R55	RES	14A4
R56	RES	17C2
R57	RES	14A4
R58	RES	14C4
R59	RES	14C4
R60	RES	14D4
R61	RES	14A4
R62	RES	14B6

R63	RES	14B6
R64	RES	14D6
R65	RES	14B6
R66	RES	14D6
R67	RES	14C7
R68	RES	14B7
R69	RES	14C7
R70	RES	14A7
R71	RES	14A7
R72	RES	14A7
R73	RES	14B7
R74	RES	14B7
R75	RES	14B7
R76	RES	14C7
R77	RES	14C7
R78	RES	4E2
R79	RES	4E2
R80	RES	4E2
R81	RES	26B2
R82	RES	26B3
R83	RES	15F2
R84	RES	26C6
R85	RES	26B7
R86	RES	15C2
R87	RES	15E3
R88	RES	15B3
R89	RES	15E3
R90	RES	15C3
R91	RES	15F3
R92	RES	23B7
R93	RES	4B3
R94	RES	4A3
R95	RES	23C7
R96	RES	24E6
R97	RES	23B7
R98	RES	4B3
R99	RES	4A3
R100	RES	14B6
R101	RES	14B6
R102	RES	14C6
R103	RES	14C7
R104	RES	4B3
R105	RES	15C4
R106	RES	15B6
R107	RES	24E5
R108	RES	15D6
R109	RES	15C6
R110	RES	15D6
R111	RES	15C6
R112	RES	15B6
R113	RES	15B7
R114	RES	15C6
R115	RES	15B6
R116	RES	15A7
R117	RES	15A7
R118	RES	15B7
R119	RES	15B7
R120	RES	15B7
R121	RES	15C7
R122	RES	15C7
R123	RES	15C7
R124	RES	6E1
R125	RES	5B2
R126	RES	15D7
R127	RES	5C2
R128	RES	6E2
R129	RES	5B2

I/O INTFC		CROSS REFERENCE	
ED	06		
ALCATEL		3DH 03146 AFAA ECZZA	31

THIS TRANSFER OF COMMODITIES, TECHNOLOGY OR SOFTWARE, IF FROM THE UNITED STATES, IS AN EXPORT IN ACCORDANCE WITH THE U.S. EXPORT ADMINISTRATION REGULATIONS. DIVERSION CONTRARY TO U.S. LAW PROHIBITED. THE EXPORT OR RE-EXPORT (FURTHER TRANSFER) OF SUCH COMMODITIES, TECHNOLOGY, SOFTWARE, OR PRODUCTS MADE FROM SUCH TECHNOLOGY IS PROHIBITED WITHOUT PROPER AUTHORIZATION(S) FROM THE U.S. DEPARTMENT OF COMMERCE OR OTHER APPROPRIATE U.S. GOVERNMENT AGENCY(S).

1	2	3	4	5	6	7	8
R130 RES 6E2 R131 RES 5C2 R132 RES 6B2 R133 RES 6E2 R134 RES 6F2 R135 RES 16B6 R136 RES 16B6 R137 RES 16C6 R138 RES 16C7 R139 RES 6B3 R140 RES 6F2 R141 RES 6F3 R142 RES 6F3 R143 RES 17C6 R144 RES 6A2 R145 RES 6D3 R146 RES 17B6 R147 RES 6D4 R148 RES 6E4 R149 RES 6E4 R150 RES 6E4 R151 RES 6E4 R152 RES 6E4 R153 RES 6F4 R154 RES 6D4 R155 RES 18C4 R156 RES 19C4 R157 RES 17D6 R158 RES 6E7 R159 RES 6D8 R160 RES 7E2 R161 RES 6C3 R162 RES 7E2 R163 RES 21C4 R164 RES 7E2 R165 RES 3C7 R166 RES 7E2 R167 RES 3E7 R168 RES 21C4 R169 RES 17D4 R170 RES 7D2 R171 RES 7D2 R172 RES 7D2 R173 RES 7D2 R174 RES 23E7 R175 RES 6B4 R176 RES 7F3 R177 RES 26F3 R178 RES 7E4 R179 RES 7B4 R180 RES 7A6 R181 RES 7B5 R182 RES 7B5 R183 RES 7B5 R184 RES 7B5 R185 RES 7E6 R186 RES 7B6 R187 RES 7C6 R188 RES 7F6 R189 RES 7C7 R190 RES 8C1 R191 RES 8A1 R192 RES 8B1 R193 RES 8A1 R194 RES 8B1 R195 RES 8A2 R196 RES 8B2	R197 RES 8A2 R198 RES 8C2 R199 RES 21D4 R200 RES 8C2 R201 RES 3D7 R202 RES 8C2 R203 RES 20D3 R204 RES 8C2 R205 RES 18B6 R206 RES 8D2 R207 RES 20B6 R208 RES 8D2 R209 RES 16C1 R210 RES 17C6 R211 RES 18B6 R212 RES 8D2 R213 RES 20B6 R214 RES 8D2 R215 RES 17D6 R216 RES 18D6 R217 RES 19D6 R218 RES 20D6 R219 RES 21D6 R220 RES 17B7 R221 RES 18B7 R222 RES 8E1 R223 RES 8E2 R224 RES 8C5 R225 RES 17D7 R226 RES 18D7 R227 RES 19D7 R228 RES 20D7 R229 RES 21D7 R230 RES 17D7 R231 RES 18D7 R232 RES 19D7 R233 RES 20D7 R234 RES 21D7 R235 RES 17B7 R236 RES 18B7 R237 RES 19B7 R238 RES 20B7 R239 RES 21B7 R240 RES 17D7 R241 RES 10E1 R242 RES 10F2 R243 RES 17D7 R244 RES 26A2 R245 RES 26B2 R246 RES 18B6 R247 RES 18B6 R248 RES 18C6 R249 RES 18C7 R250 RES 19B6 R251 RES 19B6 R252 RES 19C7 R253 RES 19C7 R254 RES 20B6 R255 RES 20B6 R256 RES 20C6 R257 RES 20D7 R258 RES 3C5 R259 RES 11E4 R260 RES 11F4 R261 RES 11E6 R262 RES 11E6 R263 RES 11E6	R264 RES 24E3 R265 RES 17C7 R266 RES 13A7 R267 RES 13B7 R268 RES 13C5 R269 RES 13C5 R270 RES 13A6 R271 RES 13C6 R272 RES 24F3 R273 RES 20C7 R274 RES 21B7 R275 RES 17C7 R276 RES 18C7 R277 RES 19C7 R278 RES 20C7 R279 RES 21C7 R280 RES 17C7 R281 RES 18C7 R282 RES 19C7 R283 RES 20C7 R284 RES 21C7 R285 RES 16A4 R286 RES 17A4 R287 RES 18A4 R288 RES 19A4 R289 RES 20A4 R290 RES 21A4 R291 RES 3D7 R292 RES 3C7 R293 RES 16D1 R294 RES 16A2 R295 RES 16A2 R296 RES 16D2 R297 RES 21B6 R298 RES 22D3 R299 RES 22D3 R300 RES 22D3 R301 RES 16B2 R302 RES 16D2 R303 RES 16C2 R304 RES 16D3 R305 RES 16B3 R306 RES 16D3 R307 RES 16B3 R308 RES 16E3 R309 RES 16A3 R310 RES 16A3 R311 RES 16B3 R312 RES 16D4 R313 RES 23A3 R314 RES 16C4 R315 RES 23A3 R316 RES 23B4 R317 RES 16B4 R318 RES 16C4 R319 RES 16C4 R320 RES 16A4 R321 RES 16A4 R322 RES 16C4 R323 RES 16D4 R324 RES 16B6 R325 RES 16B6 R326 RES 16D6 R327 RES 16B7 R328 RES 16D7 R329 RES 16C7 R330 RES 16B7	R331 RES 16C7 R332 RES 16A7 R333 RES 16A7 R334 RES 16A7 R335 RES 16B7 R336 RES 16B7 R337 RES 23B5 R338 RES 21B6 R339 RES 16B7 R340 RES 16C7 R341 RES 16C7 R342 RES 19E2 R343 RES 15A1 R344 RES 15B1 R345 RES 15D1 R346 RES 15D1 R347 RES 15C2 R348 RES 15C2 R349 RES 15F2 R350 RES 15D3 R351 RES 15D3 R352 RES 15A4 R353 RES 15B4 R354 RES 15C4 R355 RES 15C3 R356 RES 15B4 R357 RES 15C4 R358 RES 15A4 R359 RES 15C4 R360 RES 15D4 R361 RES 15D4 R362 RES 15E4 R363 RES 15B4 R364 RES 15C4 R365 RES 15D7 R366 RES 15C7 R367 RES 16C3 R368 RES 16C4 R369 RES 16B4 R370 RES 16C4 R371 RES 17D1 R372 RES 17D1 R373 RES 17B1 R374 RES 17E2 R375 RES 17C2 R376 RES 17E2 R377 RES 17C3 R378 RES 17D3 R379 RES 17B3 R380 RES 17E3 R381 RES 17C3 R382 RES 17B3 R383 RES 17B3 R384 RES 17D4 R385 RES 17D4 R386 RES 17C4 R387 RES 17C4 R388 RES 17C4 R389 RES 17B4 R390 RES 17B4 R391 RES 17C4 R392 RES 17D4 R393 RES 17C4 R394 RES 17E4 R395 RES 17C4 R396 RES 17C6 R397 RES 17A7				

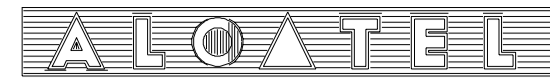
1	2	3	4	5	6	7	8
				I/O INTFC		CROSS REFERENCE	
				ED	06		
				ALCATEL	3DH 03146 AFAA ECZZA		32

ALCATEL CONFIDENTIAL & PROPRIETARY INFORMATION. CONTAINS TRADE SECRET INFORMATION WHICH IS THE PROPERTY OF ALCATEL AND MUST NOT BE MADE AVAILABLE TO, OR COPIED OR USED BY ANYONE OUTSIDE ALCATEL WITHOUT ITS WRITTEN AUTHORIZATION.

THIS TRANSFER OF COMMODITIES, TECHNOLOGY, OR SOFTWARE, IF FROM THE UNITED STATES, IS AN EXPORT IN ACCORDANCE WITH THE U.S. EXPORT ADMINISTRATION REGULATIONS. DIVERSION CONTRARY TO U.S. LAW PROHIBITED. THE EXPORT OR RE-EXPORT (FURTHER TRANSFER) OF SUCH COMMODITIES, TECHNOLOGY, SOFTWARE, OR PRODUCTS MADE FROM SUCH TECHNOLOGY IS PROHIBITED WITHOUT PROPER AUTHORIZATION(S) FROM THE U.S. DEPARTMENT OF COMMERCE OR OTHER APPROPRIATE U.S. GOVERNMENT AGENCY(S).

1AA 00014 0000 (9711) B - CONCEPT (PSD 13.6)

ALCATEL CONFIDENTIAL & PROPRIETARY INFORMATION. CONTAINS TRADE SECRET INFORMATION WHICH IS THE PROPERTY OF ALCATEL AND MUST NOT BE MADE AVAILABLE TO, OR COPIED OR USED BY ANYONE OUTSIDE ALCATEL WITHOUT ITS WRITTEN AUTHORIZATION.



R398	RES	17B7
R399	RES	17B7
R400	RES	17B7
R401	RES	17C7
R402	RES	18C1
R403	RES	18D1
R404	RES	18A2
R405	RES	18B2
R406	RES	18C2
R407	RES	18E2
R408	RES	18C2
R409	RES	18D3
R410	RES	18C3
R411	RES	18D3
R412	RES	18B3
R413	RES	18E3
R414	RES	18C3
R415	RES	18A3
R416	RES	18B3
R417	RES	18C4
R418	RES	18D4
R419	RES	18C4
R420	RES	18C4
R421	RES	18A4
R422	RES	18B4
R423	RES	18C4
R424	RES	18C4
R425	RES	18C4
R426	RES	18D4
R427	RES	18D4
R428	RES	18C4
R429	RES	18C7
R430	RES	18A7
R431	RES	18A7
R432	RES	18B7
R433	RES	18B7
R434	RES	18B7
R435	RES	18C7
R436	RES	19C1
R437	RES	19D1
R438	RES	19C2
R439	RES	19C2
R440	RES	19D3
R441	RES	19C3
R442	RES	19D3
R443	RES	19B3
R444	RES	19E3
R445	RES	19C3
R446	RES	19A3
R447	RES	19B3
R448	RES	19C4
R449	RES	19D4
R450	RES	19C4
R451	RES	19C4
R452	RES	19A4
R453	RES	19B4
R454	RES	19C4
R455	RES	19C4
R456	RES	19C4
R457	RES	19D4
R458	RES	19D4
R459	RES	19C4
R460	RES	19B6
R461	RES	19B6
R462	RES	19B7
R463	RES	19C7
R464	RES	19A7

R465	RES	19A7
R466	RES	19B7
R467	RES	19B7
R468	RES	19B7
R469	RES	19C7
R470	RES	20C1
R471	RES	20D1
R472	RES	20A2
R473	RES	20E2
R474	RES	20C2
R475	RES	20E2
R476	RES	20C2
R477	RES	20E3
R478	RES	20C3
R479	RES	20B3
R480	RES	20E3
R481	RES	20C3
R482	RES	20A3
R483	RES	20B3
R484	RES	20D4
R485	RES	20D4
R486	RES	20C4
R487	RES	20C4
R488	RES	20C4
R489	RES	20A4
R490	RES	20B4
R491	RES	20C4
R492	RES	20C4
R493	RES	20C4
R494	RES	20D4
R495	RES	20D4
R496	RES	20C4
R497	RES	20B6
R498	RES	20C7
R499	RES	20A7
R500	RES	20A7
R501	RES	20B7
R502	RES	20B7
R503	RES	20B7
R504	RES	21C1
R505	RES	21D1
R506	RES	21A2
R507	RES	21D2
R508	RES	21B2
R509	RES	21D2
R510	RES	21C2
R511	RES	21D3
R512	RES	21C3
R513	RES	21D3
R514	RES	21B3
R515	RES	21E3
R516	RES	21C3
R517	RES	21A3
R518	RES	21B3
R519	RES	21C3
R520	RES	21C4
R521	RES	21D4
R522	RES	21C4
R523	RES	21C4
R524	RES	21A4
R525	RES	21B4
R526	RES	21C4
R527	RES	21D4
R528	RES	21C4
R529	RES	21B6
R530	RES	21B6
R531	RES	21B6

R532	RES	21C7
R533	RES	21A7
R534	RES	21A7
R535	RES	21B7
R536	RES	21B7
R537	RES	21B7
R538	RES	21C6
R539	RES	21D7
R540	RES	11D6
R541	RES	23A2
R542	RES	22B2
R543	RES	22C2
R544	RES	22B2
R545	RES	22C2
R546	RES	22B2
R547	RES	22C2
R548	RES	22B2
R549	RES	22C3
R550	RES	22A3
R551	RES	22A3
R552	RES	22B3
R553	RES	22B3
R554	RES	22A3
R555	RES	22A3
R556	RES	22B3
R557	RES	22B3
R558	RES	22C5
R559	RES	22C5
R560	RES	22D5
R561	RES	22D5
R562	RES	22C6
R563	RES	22C5
R564	RES	22D5
R565	RES	22D6
R566	RES	22D6
R567	RES	22D6
R568	RES	22D6
R569	RES	22D6
R570	RES	22D6
R571	RES	22D6
R572	RES	22D7
R573	RES	22D7
R574	RES	23A2
R575	RES	23D8
R576	RES	8C4
R577	RES	23D7
R578	RES	23C7
R579	RES	23C8
R580	RES	23E7
R581	RES	23E8
R582	RES	26D2
R583	RES	23B2
R584	RES	3B7
R585	RES	23B2
R586	RES	3F2
R587	RES	3B2
R588	RES	4A2
R589	RES	4B2
R590	RES	4A2
R591	RES	4B3
R592	RES	4A3
R593	RES	4A3
R594	RES	4B3
R595	RES	4A3
R596	RES	4B4
R597	RES	4A4
R598	RES	4B4

R599	RES	4A4
R600	RES	4B4
R601	RES	4A4
R602	RES	4B4
R603	RES	4A4
R604	RES	4B4
R605	RES	6C2
R606	RES	6E2
R607	RES	6C2
R608	RES	6B2
R609	RES	6D2
R610	RES	6C6
R611	RES	6C6
R612	RES	6D7
R613	RES	7C2
R614	RES	7E2
R615	RES	7A7
R616	RES	7A7
R617	RES	7A7
R618	RES	7A7
R619	RES	7A7
R620	RES	7A7
R621	RES	3E3
R622	RES	11E5
R623	RES	11E5
R624	RES	3C3
R625	RES	3D3
R626	RES	3C3
R627	RES	3F3
R628	RES	3B3
R629	RES	3B3
R630	RES	3E3
R631	RES	3C3
R632	RES	3D3
R633	RES	10A7
R646	RES	5B5
R647	RES	5B5
R648	RES	5B5
R649	RES	5B5
R653	RES	6B4
R654	RES	6C4
R655	RES	14F3
SP1	SA_PIN	28D2
SP2	SA_PIN	28E2
SP3	SINGLE_PIN	28A2
SP4	SINGLE_PIN	28A2
SP5	SINGLE_PIN	28B2
SP6	SINGLE_PIN	28B2
SP7	SINGLE_PIN	28B2
SP8	SINGLE_PIN	28C2
SP9	SINGLE_PIN	28C2
SP10	SINGLE_PIN	28C2
SP11	SINGLE_PIN	28C2
SP12	SINGLE_PIN	28A4
SP13	SINGLE_PIN	28A4
SP14	SINGLE_PIN	28A4
SP15	SINGLE_PIN	28B4
SP16	SINGLE_PIN	28B4
SP17	SINGLE_PIN	28B4
SP18	SINGLE_PIN	28B4
SP19	SINGLE_PIN	28B4
SP20	SINGLE_PIN	28C4
SP21	SINGLE_PIN	28C4
SP22	SINGLE_PIN	28C4
SP23	SINGLE_PIN	28C4
SP25	SINGLE_PIN	28D4
SP26	SINGLE_PIN	28D4

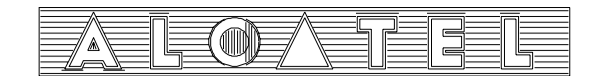
I/O INTFC

CROSS REFERENCE

ED	06			
ALCATEL			3DH 03146 AFAA ECZZA	33

THIS TRANSFER OF COMMODITIES, TECHNOLOGY, OR SOFTWARE, IF FROM THE UNITED STATES, IS AN EXPORT IN ACCORDANCE WITH THE U.S. EXPORT ADMINISTRATION REGULATIONS. DIVERSION CONTRARY TO U.S. LAW PROHIBITED. THE EXPORT OR RE-EXPORT (FURTHER TRANSFER) OF SUCH COMMODITIES, TECHNOLOGY, SOFTWARE, OR PRODUCTS MADE FROM SUCH TECHNOLOGY IS PROHIBITED WITHOUT PROPER AUTHORIZATION(S) FROM THE U.S. DEPARTMENT OF COMMERCE OR OTHER APPROPRIATE U.S. GOVERNMENT AGENCY(S).

1AA 00014 0000 (9711) B - CONCEPT (PSD 13.6)



SP27 SINGLE_PIN 28D4
 SP28 SINGLE_PIN 28E4
 SP29 SINGLE_PIN 28E4
 SP30 SINGLE_PIN 28A5
 SP31 SINGLE_PIN 28A5
 SP32 SINGLE_PIN 28A5
 SP33 SINGLE_PIN 28B5
 SP34 SINGLE_PIN 28B5
 SP35 SINGLE_PIN 28B5
 SP36 SINGLE_PIN 28B5
 SP37 SINGLE_PIN 28B5
 SP38 SINGLE_PIN 28C5
 SP39 SINGLE_PIN 28C5
 SP40 SINGLE_PIN 28C5
 SP41 SINGLE_PIN 28C5
 SP42 SINGLE_PIN 28D5
 SP43 SINGLE_PIN 28D5
 SP44 SINGLE_PIN 28D5
 SP45 SINGLE_PIN 28D5
 SP46 SINGLE_PIN 28E5
 SP47 SINGLE_PIN 28E5
 SP48 SINGLE_PIN 28A6
 SP49 SINGLE_PIN 28A6
 SP50 SINGLE_PIN 28A6
 SP51 SINGLE_PIN 28B6
 SP52 SINGLE_PIN 28B6
 SP53 SINGLE_PIN 28B6
 SP54 SINGLE_PIN 28B6
 SP55 SINGLE_PIN 28B6
 SP56 SINGLE_PIN 28C6
 SP57 SINGLE_PIN 28C6
 U1 F574 10B6 12A1
 U2 F574 10A6 12B1
 U3 75175 8C3 12B1
 U4 75175 8A2 8B3 12C1
 U5 LTC1435 26A4
 U6 F126 8C4 10E2 12D1 24F2
 U7 F126 7E3 7E5 7E5 8C4 12E1
 U8 F126 6E8 7B3 7C3 12E1
 U9 F126 3A2 6D7 6E7 12F1 24F2
 U10 EPM7128_100 23B5 27D2
 U11 EPM7256_208 10A3 10E6 10E8 12A3
 U12 ACT245 12A8 22E4
 U13 ACT245 7C7 27B4
 U14 ACT245 7D7 27B4
 U15 ACT245 7D3 27C4
 U16 ACT245 15A7 24C4
 U17 SN65176 8B7 12A6
 U18 SN65176 8A7 12B6
 U19 SN65176 8C6 12B6
 U20 SN65176 8B6 12C6
 U21 SN65176 8D6 12D6
 U22 SN65176 8D7 12D6
 U23 SN65176 8D6 12B7
 U24 AC04 5C6 5C7 24D1 27C8
 U25 SN65176 8D4 12B8
 U26 SN65176 8E2 12C8
 U27 SN65176 8E2 12C8
 U28 AC74 6E4 12A7 24E4
 U29 ACT14 3F1 10A8 12A7 14D7 24E1 24F1
 U30 ACT14 3D7 3E7 5D6 6A5 6E6 24A7
 U31 AC02 6E6 12B7 24B1 24C1
 U32 AC02 3E2 3F2 12C7 14D7 15E7
 U33 AC02 3B2 3C2 3D2 12D7
 U34 ACT14 3B7 3C7 3D5 7F4 15E8 24A7
 U35 AC74 3A5 3C5 24B7
 U36 AC00 3A6 3D6 24A1 24C7

U37 ACT245 15C7 24A4
 U38 ACT245 14B7 24B4
 U39 ACT245 14A7 24B4
 U40 HC4052 6E3 12D4
 U41 LM2902 6F1 13A7 13B7 24D4 24E4
 U42 ACT00 6A4 12D7 24B1
 U43 HC32 6A6 12E7 24F1
 U44 LIO 6B5 7B5 8A5 10B8 11B5 12A4
 U45 LEGHORN2 15A5 27A3
 U46 LEGHORN2 14A5 27C3
 U47 F574 11A7 12D8
 U48 F574 11B7 12D8
 U49 8582 11F5
 U50 33064 13C6
 U54 ACT245 16B7 24B5
 U55 ACT245 16A7 24A5
 U56 SN65176 8C7 12A8
 U57 LEGHORN2 21A5 27A1
 U58 LEGHORN2 20A5 27C2
 U59 LEGHORN2 19A5 27A6
 U60 LEGHORN2 18A5 27C6
 U61 LEGHORN2 17A5 27A7
 U62 LEGHORN2 16A5 27C7
 U63 ACT245 22C2 24B5
 U64 ACT245 21B7 24C5
 U65 ACT245 21A7 24D5
 U66 ACT245 20B7 24C7
 U67 ACT245 20A7 24D7
 U68 ACT245 19B7 24A8
 U69 ACT245 19A7 24B8
 U70 ACT245 18B7 24C8
 U71 ACT245 18A7 24C8
 U72 ACT245 17C7 24D8
 U73 ACT245 17A7 24E8
 U75 HC153 23E2 27A8
 U76 HC153 23D2 27B8
 U77 HC138 5C6 12C1
 U78 HC32 14D7 18E6 19E6 24A2 27B8
 U79 HC32 16E6 17E6 20E6 21E6 27C8
 U80 AC04 14E4 14F3 14F4 14F4 24C1 27D8
 U81 F86 11D6 11D7 12E6 24A2 24B2
 U82 ACT74 6D2 12E4 24E4
 U83 ACT157 6D3 12F4 24B2 24C2 24D2
 U84 ABT374 5B3 5C3 5D3 6A3 6C3 24E6 27C4
 U85 ABT125 6A3 6B2 24E2 27D4
 VR1 ZENER_SOT23 13B6
 Y1 XTAL_49393930HZ 14E1

I/O INTFC

CROSS REFERENCE

END OF DOCUMENT

ED	06						
ALCATEL					3DH 03146 AFAA ECZZA		34