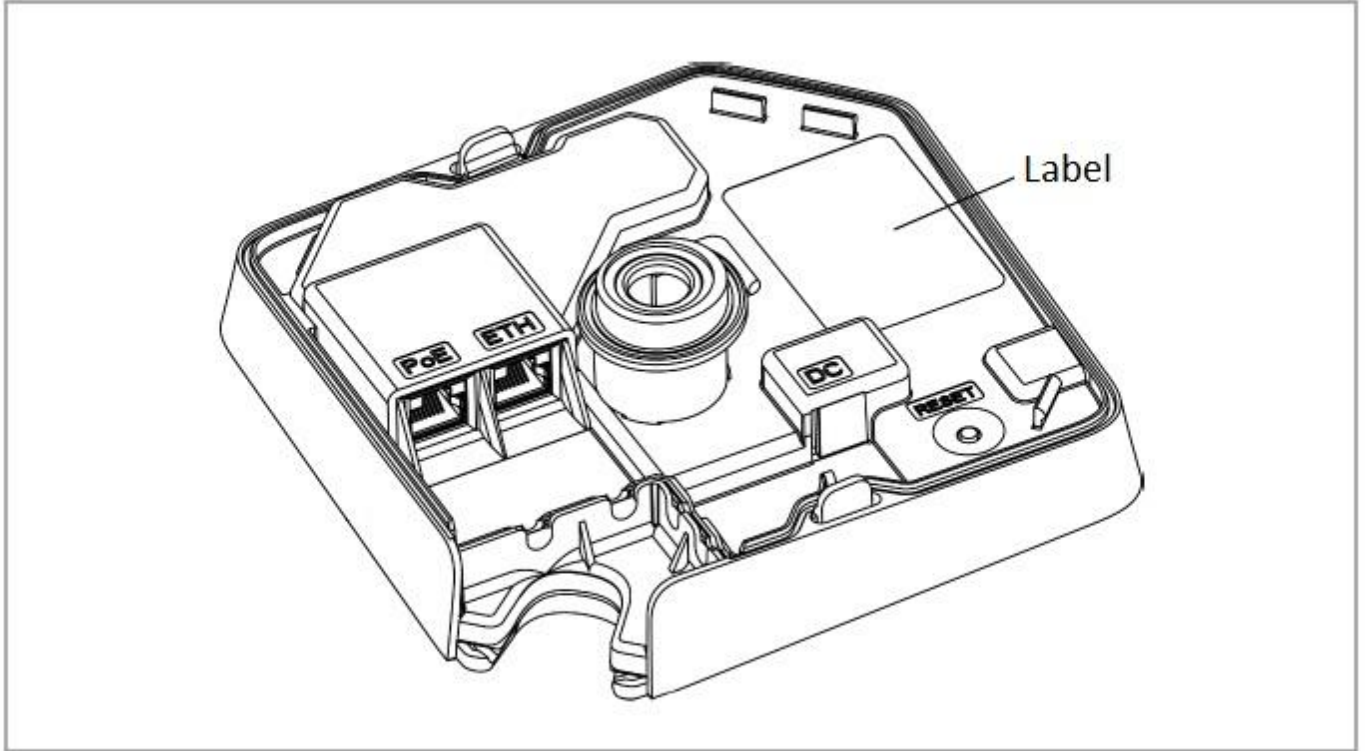


# FCC LABEL LOCATION

The labeling (model plate) is located on top of the unit.

*Fig. 1: Labeling*



1

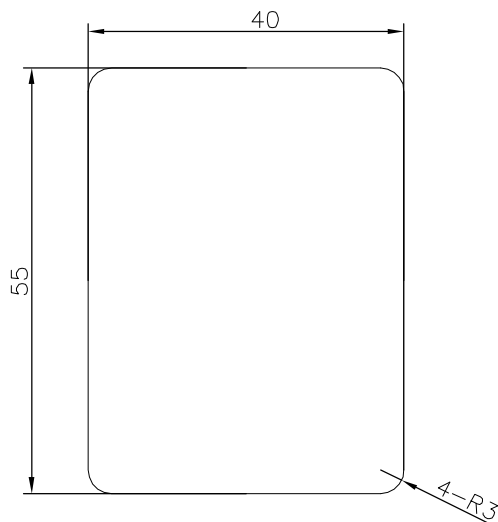
2

3

4

A

A



NCR Orderman Base Station4

Model: 7777-RBS

PID: 7777-0302-8801

MAC:00 E0 0D 9F 00 00



SN:125-49767486

12Vdc, 1A





FCC ID: JEH-7777-RBS

IC: 470B-7777RBS

DESIGNED BY NCR CORPORATION  
IN AUSTRIA, ASSEMBLED IN CHINA.

NCR Orderman Base Station4 US : Label RBS

 Pantone 877C (Background)

 Pantone process black C  
(Text, Bar-code and certification logo)

B

B

C

C

Field	Human Readable Text	Barcode Data	Notes
PROD ID:	7777-0302-8801	N/A	This NCR Product Identification must consist of a 12 Digit Product-ID (or PID) Example: Human Readable: 7777-0302-8801
MAC Address	00 E0 0D 9F 00 00	*00E00D9F0000*	From 00 E0 0D 9F 00 00 to 00 E0 0D 9F 7F FF
SN:(SERIAL NO:)	125-49767486	*125-49767486*	SERIAL NO: Printed in human readable format and bar code Applicable only when NCR or a supplier authorized serial number is used when specified and required by NCR Corporation. Example Human Readable: 125-49767486 Encoded: *125-49767486* Starting Serial Number: 125-49767486 Ending Serial Number: 125-50267485 The full syntax of the first serial number is 125-49767486

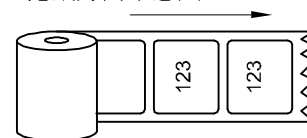
D

D

## Note:

- 1.Material( 材質 ) : Polyester paper(特多龍)
- 2.Color(顏色):Silver paper
3. Bar-code type: code 39
- 4.Printing, text can be visibled clearly. (文字印刷需清晰可辨)
- 5.Don't have dirt and damage on the surface.(表面不可沾污及破損.)

捲紙方向示意圖



E

E

A9

A8

A7

A6

A5

A4

A3

A2

NO



Universal Scientific Industrial Co.,Ltd.

TITLE:

LBL RBS US/EU SPEC

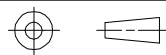
SOURCE ORGANIZATION

USI/ SZ/POS/MD

MODEL NO

DWG NO

2B-050094



DESIGNER

DATE

SCALE: free

UNIT: mm

Grape\_qin

12/2'14

USI P/N

SHEET

REV

Unless otherwise tolerance specified  
± 0.5

APP BY

DATE

59-467953-XX

2

A1

Forest\_Xie

12/2'14

1

2

3

4

F

F