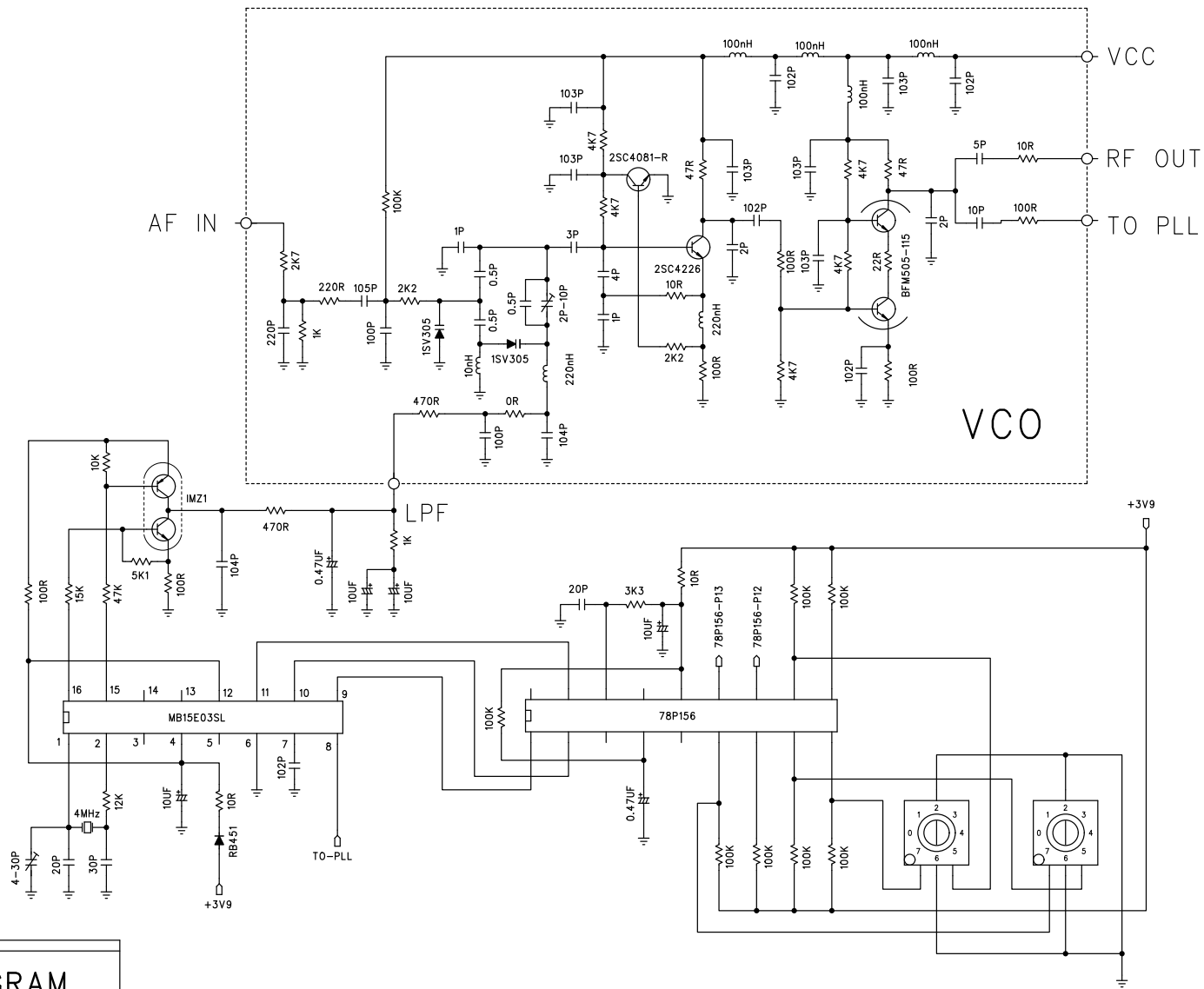


**SCHMATIC DIAGRAM**  
 UHF BAND PLL SYSTEM  
 WIRELESS TRANSMITTER  
 MODEL: UT-18 AF & RF  
 MASCOT ELECTRIC CO., LTD.

DWG NO		FILES NAME		MATERIAL		PART NO.	
DRAW BY		CHECK		APPROVE		DATE	NOV 08 2003
							VER: A



SCHMATIC DIAGRAM  
 UHF BAND PLL SYSTEM  
 WIRELESS MICROPHONE  
 MODEL: UT-18 VCO&PLL

DWG NO		FILES NAME		MATERIAL		PART NO.	
DRAW BY		CHECK		APPROVE		DATE	NOV 08 2003
							VER: A

MASCOT ELECTRIC CO., LTD.