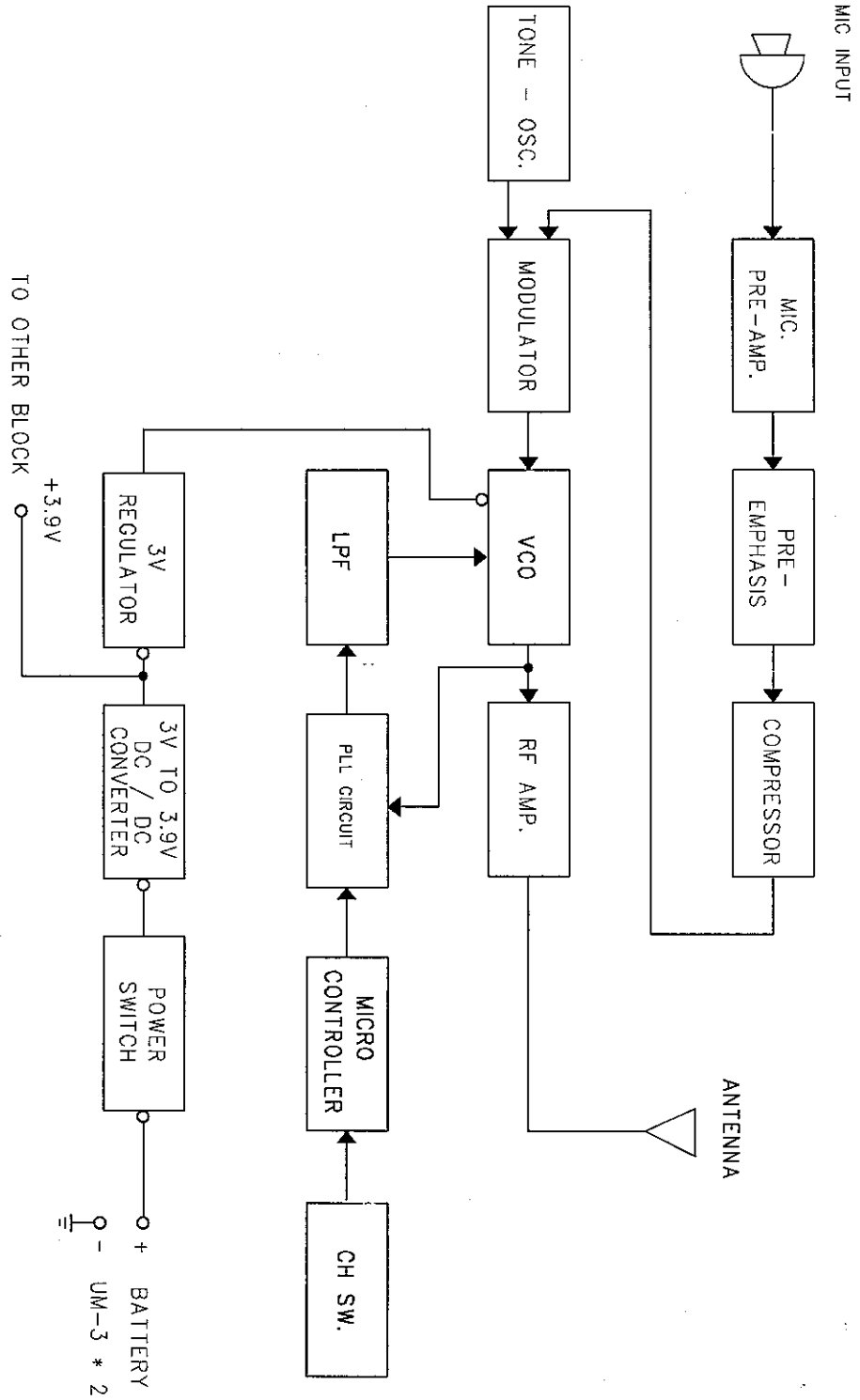


***EXHIBIT E***

***Block Diagram***

**BLOCK DIAGRAM**  
 UHF BAND PLL SYSTEM  
 MICROPHONE TRANSMITTER  
 MODEL: UT-16



WA-GOL INDUSTRIAL CO., LTD.

DESIGN BY:

DRAWING BY:

DATE:

JUL 05 2000

MODEL NO:

UT-16

VER:

A.