

***EXHIBIT D***

***Circuit Diagram***

**SCHEMATIC DIAGRAM**  
**UHF BAND PLL SYSTEM**  
**WIRELESS MICROPHONE**  
**MODEL : UT-16**

WA-GOL INDUSTRIAL CO., LTD.

DESIGN BY:

DRAWING BY:

DATE:

JUL 05 2000

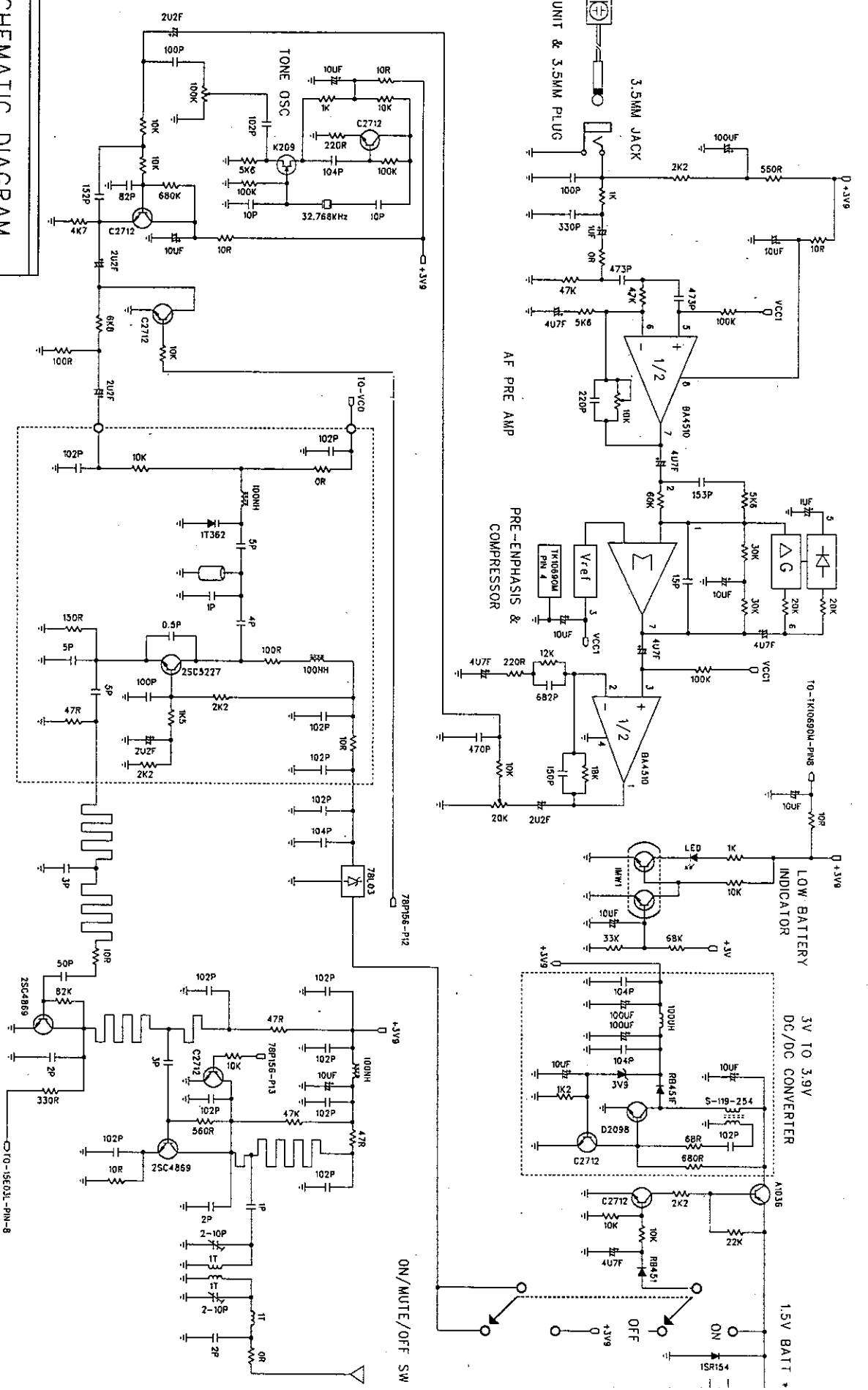
MODEL NO:

UT-16

VERP

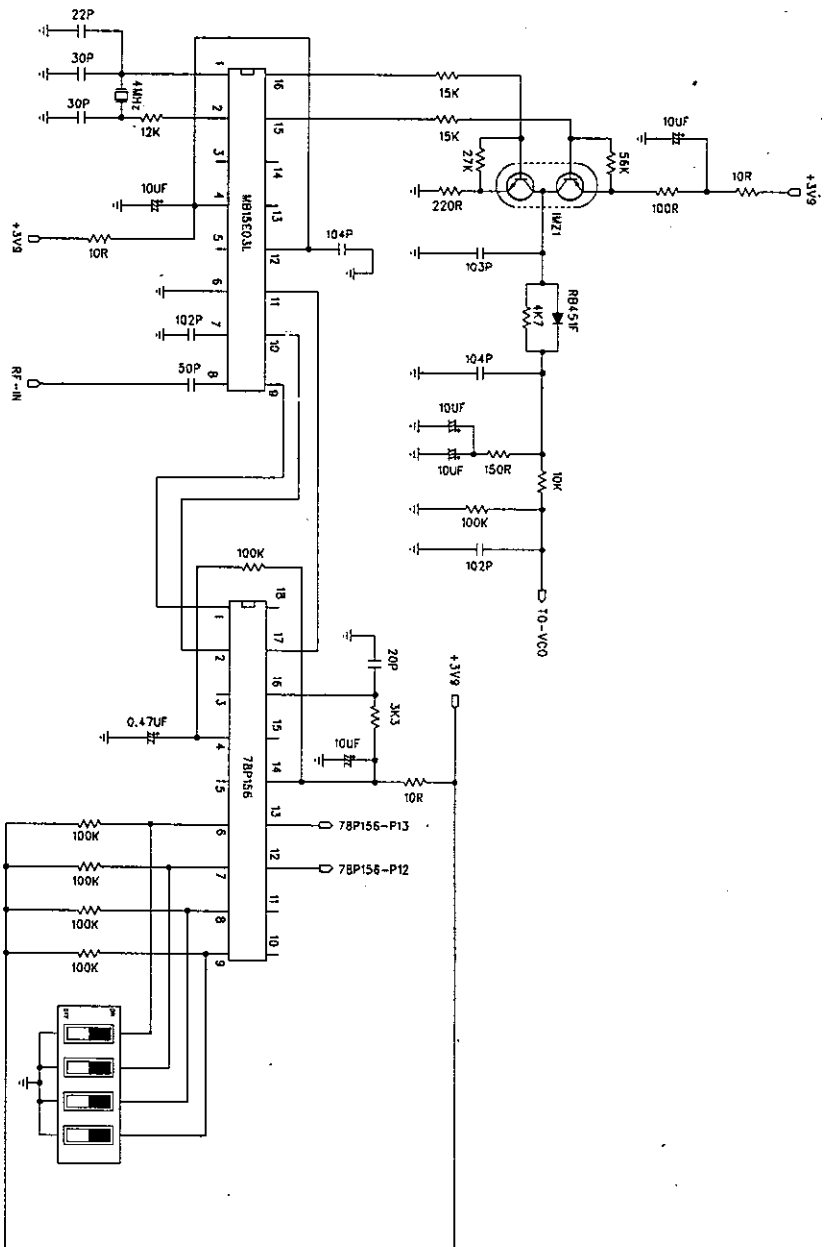
A

REF. : UT-16-2



ON/MUTE/OFF SW

SCHEMATIC DIAGRAM  
 UHF BAND PLL SYSTEM  
 WIRELESS MICROPHONE  
 MODEL: VCO & PLL.



WA-GOL INDUSTRIAL CO., LTD.

DESIGN BY:

DRAWING BY:

DATE:

JUL 05 2000

MODEL NO:

UT-16

VER:

A

REF. : UT-16-1