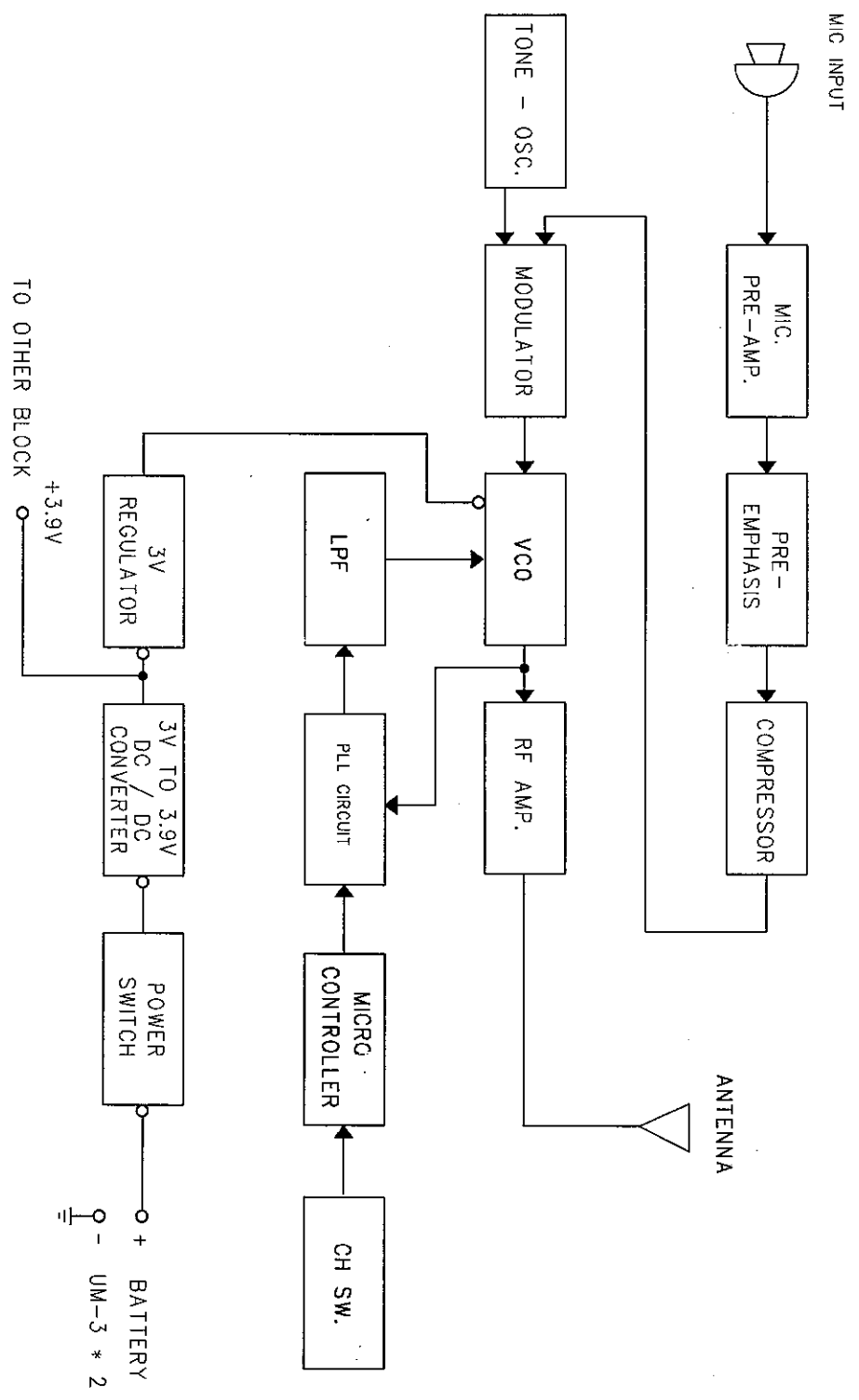


EXHIBIT E

Block Diagram

BLOCK DIAGRAM
 UHF BAND PLL SYSTEM
 MICROPHONE TRANSMITTER
 MODEL:UF-16



WA-GOL INDUSTRIAL CO., LTD.

DESIGN BY:

DRAWING BY:

DATE: JUL 05 2000

MODEL NO.: UF-16

VER: A.