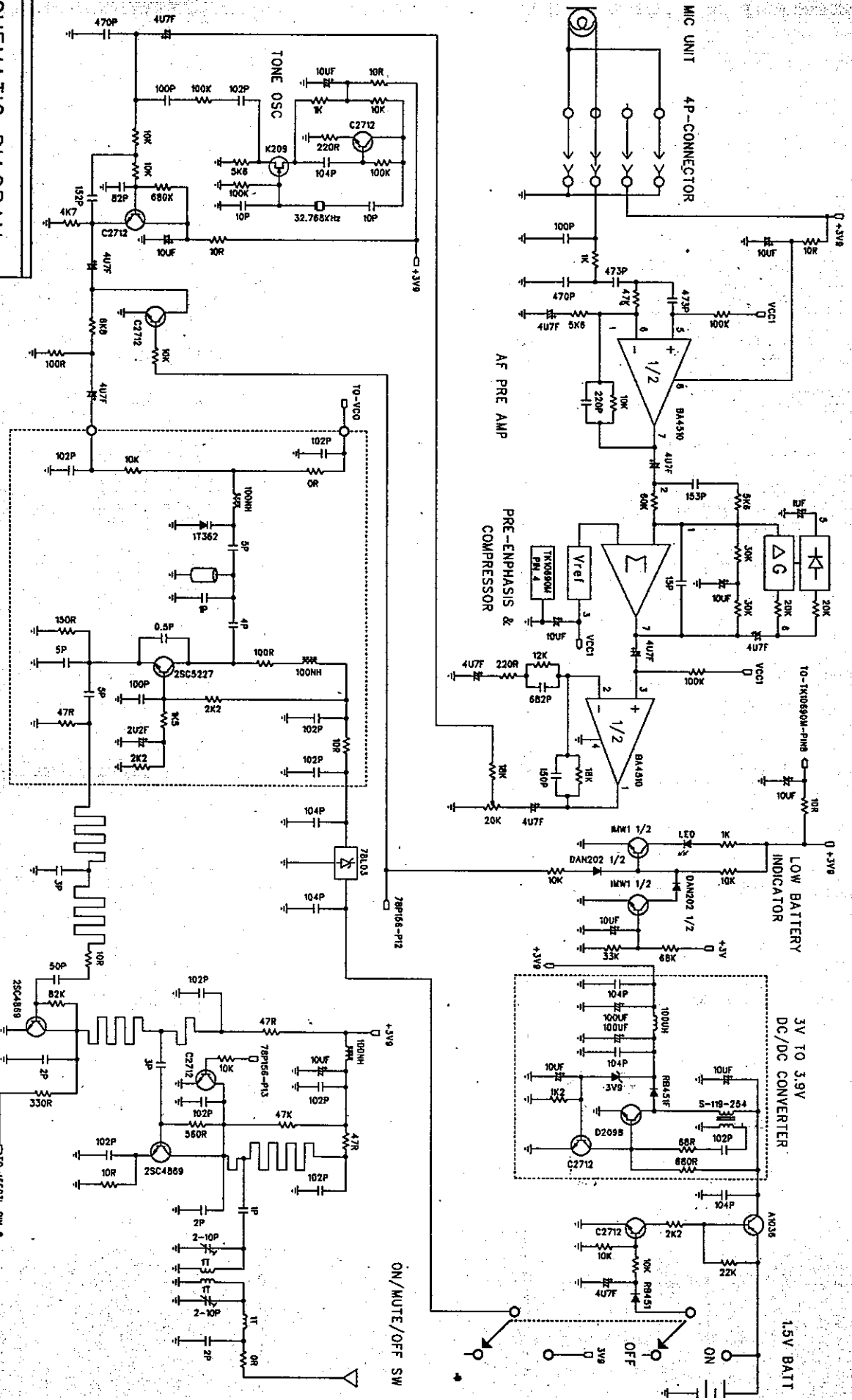


***EXHIBIT D***

***Circuit Diagram***

**SCHEMATIC DIAGRAM**  
**UHF BAND PLL SYSTEM**  
**WIRELESS MICROPHONE**  
**MODEL : UF-16**



WA-GOL INDUSTRIAL CO., LTD.

DESIGN BY:

DRAWING BY:

DATE:

JUL 05 2000

MODEL NO.:

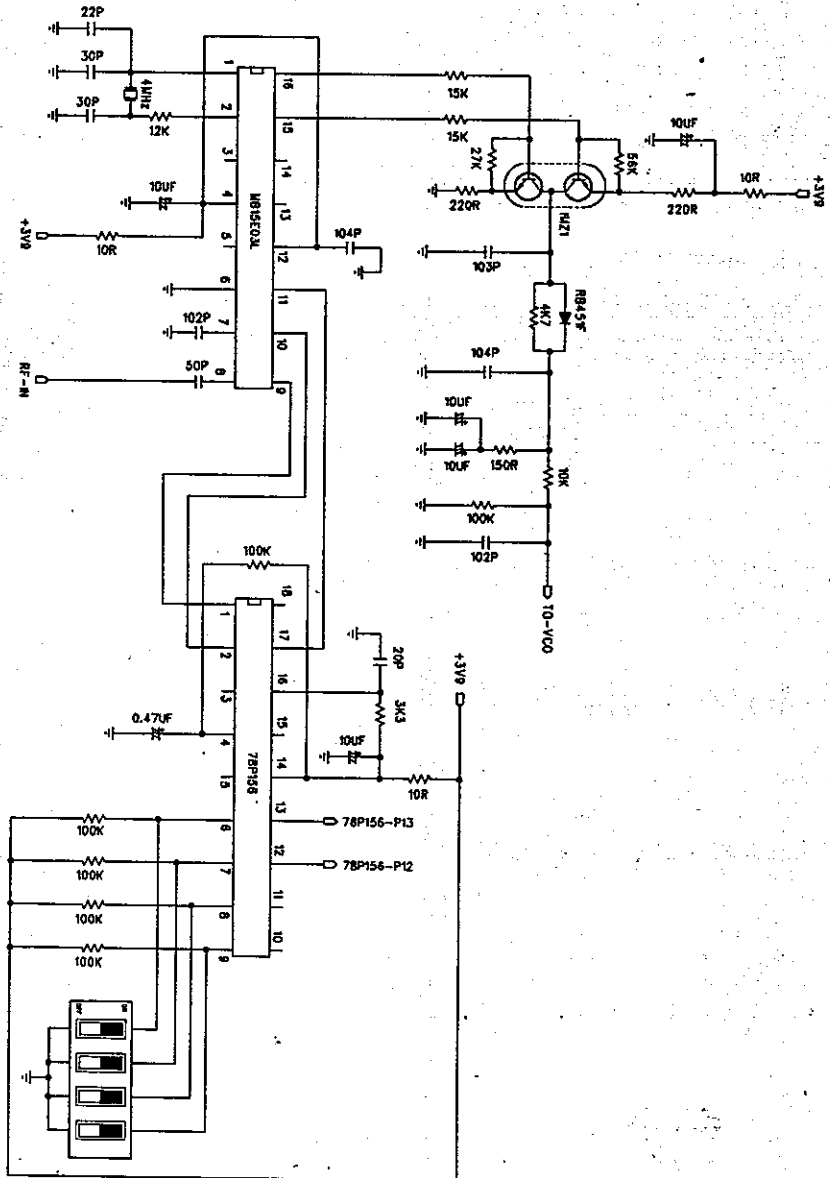
UF-16

VER.:

A.

REF. : UF-16-2

SCHEMATIC DIAGRAM  
 UHF BAND PLL SYSTEM  
 WIRELESS MICROPHONE  
 MODEL: VCO & PLL



WA-GOL INDUSTRIAL CO., LTD.

DESIGN BY:

DRAWING BY:

DATE: JUL 05 2000

MODEL NO: UF-16

VER: 1

REF: UF-16-1