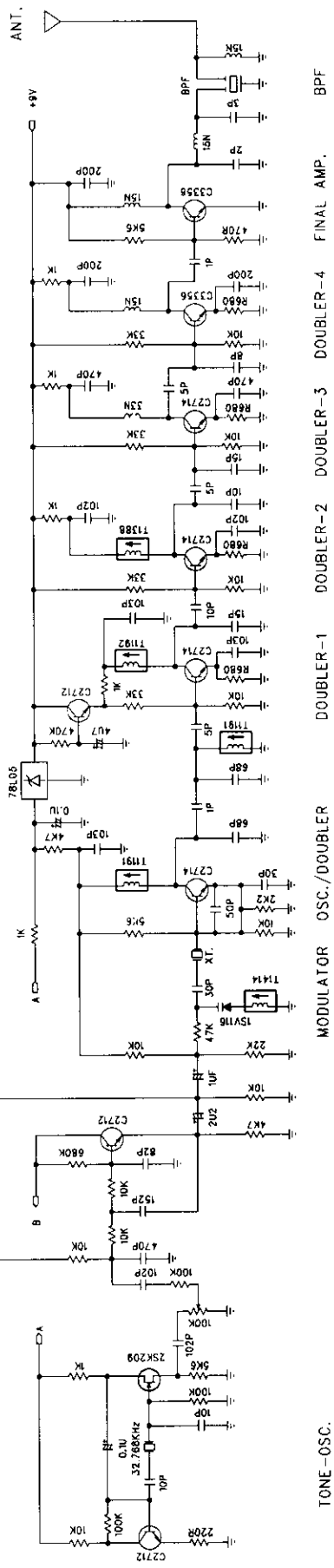
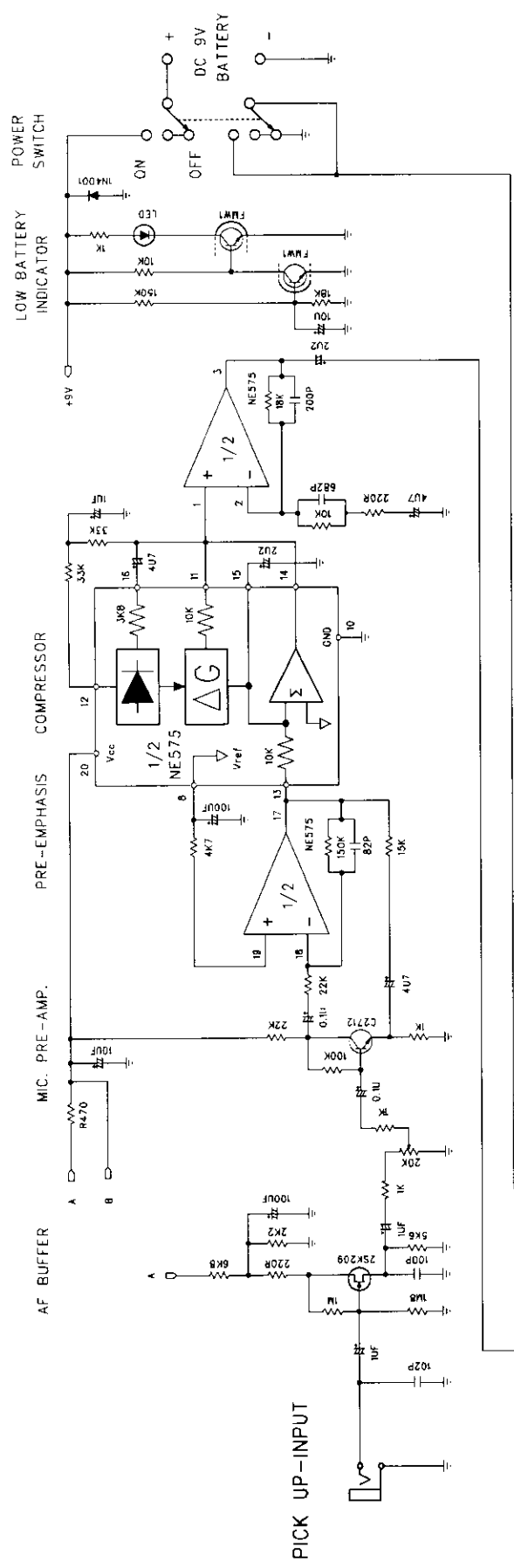


***EXHIBIT D***

***Circuit Diagram***



SCHEMATIC DIAGRAM  
 UHF BAND  
 MICROPHONE TRANSMITTER  
 MODEL:UB-82G