

EXHIBIT D

Circuit Diagram

SCHEMATIC DIAGRAM
VHF HIGH BAND
MICROPHONE TRANSMITTER
MODEL:MX-V30

WA-GOL INDUSTRIAL CO., LTD.

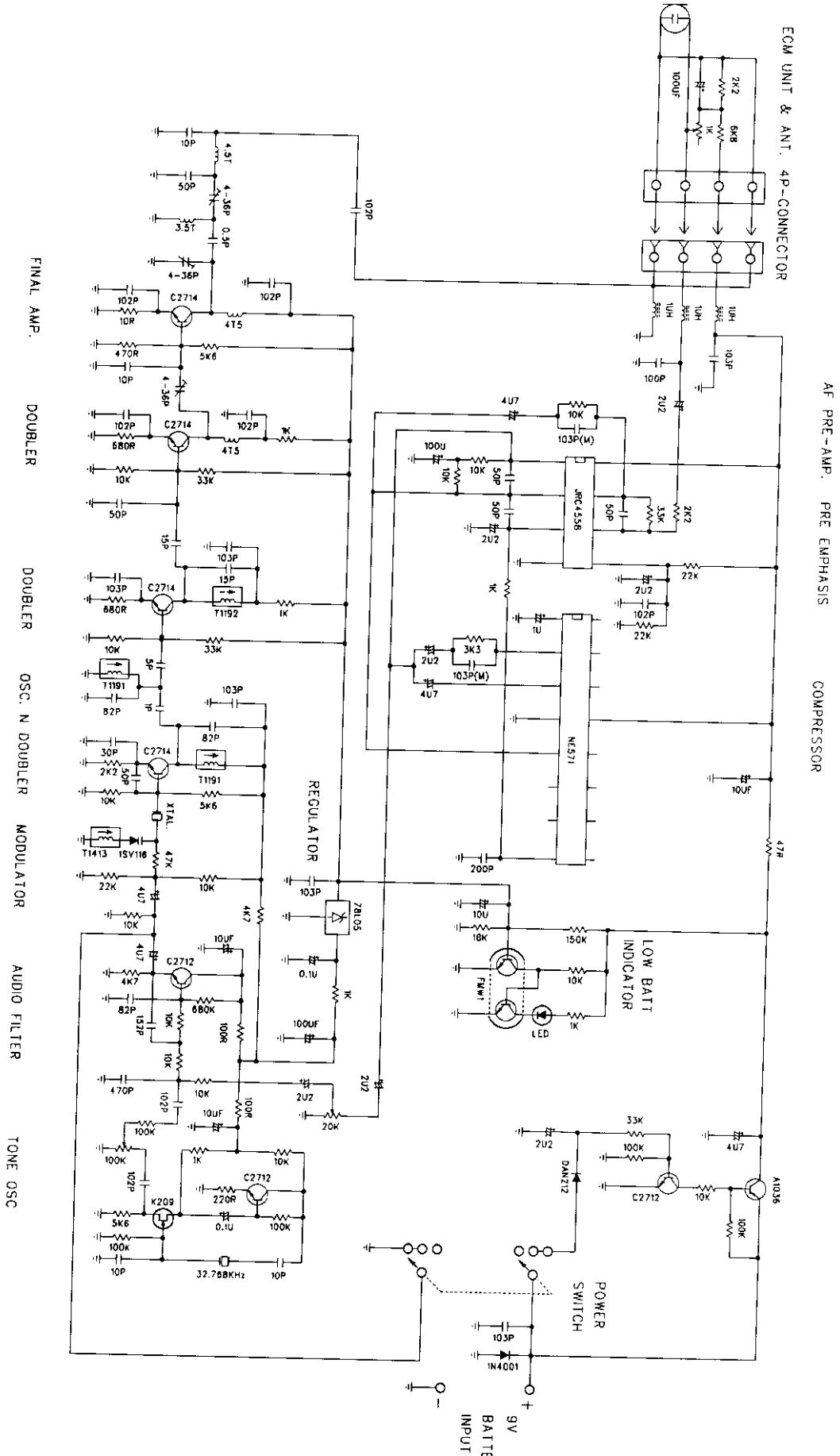
DESIGN BY:

DRAWING BY:

DATE: JUNE 27 1998

MODEL NO: MX - V30

VER:



ECM UNIT & ANTI. 4P-CONNECTOR

AF PRE-AMP. PRE EMPHASIS COMPRESSOR

FINAL AMP. DOUBLER DOUBLER OSC. N DOUBLER MODULATOR AUDIO FILTER TONE OSC

LOW BATT INDICATOR

POWER SWITCH

9V BATTERY INPUT