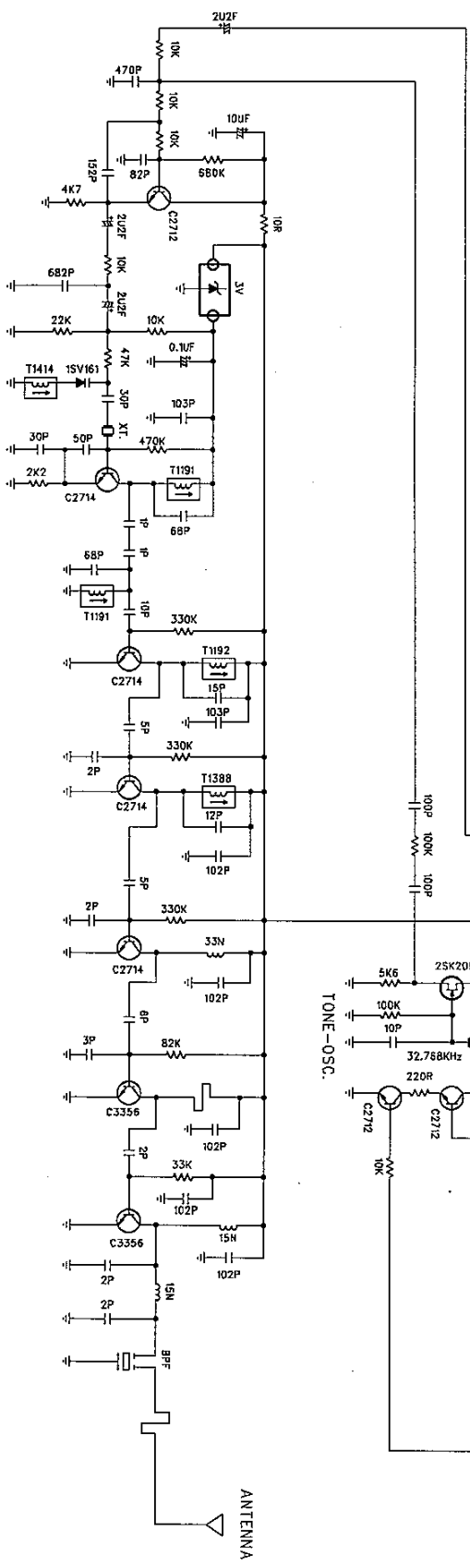
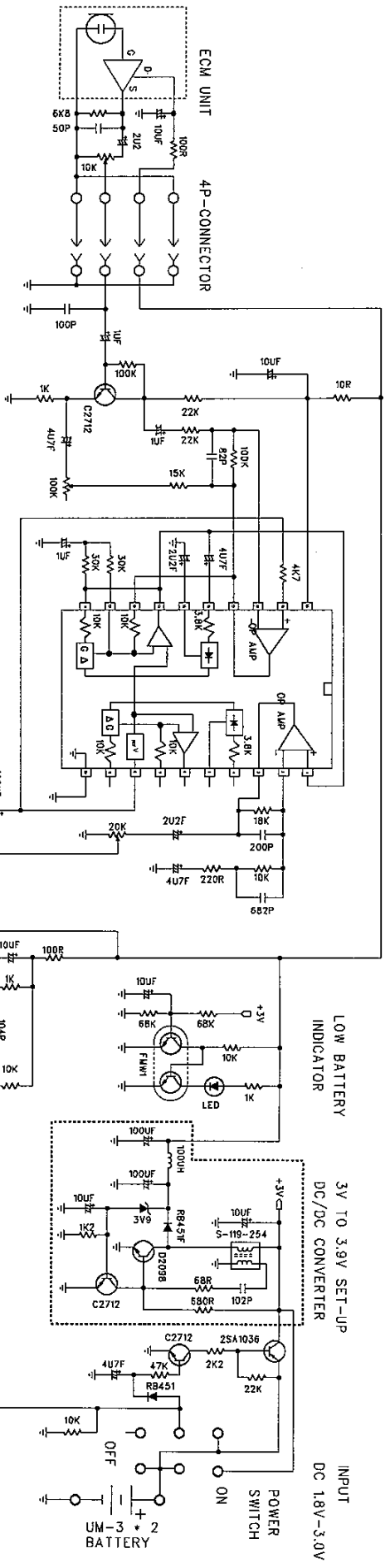


***EXHIBIT D***

***Circuit Diagram***



**CIRCUIT DIAGRAM**

UHF BAND  
WIRELESS MICROPHONE  
MODEL : MX - UF1

WA-GOL INDUSTRIAL CO., LTD.

DESIGN BY:

DRAWING BY:

VER.:

DATE: MAR 26 1999

SHEET: A