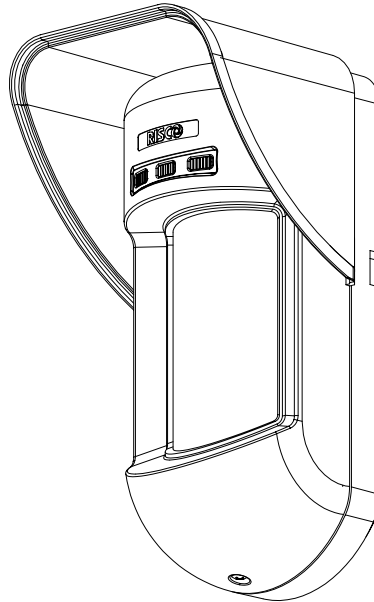


Wireless WatchOUT™

Wireless Outdoor Detection

Wireless PIR Outdoor Detector
Rivelatore PIR da esterno via radio
Detector Inalámbrico de Exterior PIR
Détecteur PIR extérieur sans fil
Detector Infravermelho Passivo Externo Sem Fio



Installation Instructions
Istruzioni per l'installazione
Instrucciones de Instalación
Manuel d'installation
Instruções para Instalação

RISCO
GROUP
Creating Security Solutions
With Care.
riscogroup.com

English

Italiano

Español

Français

Portuguese

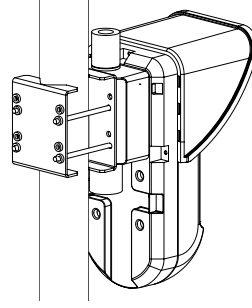
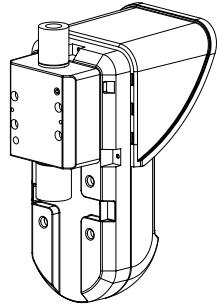
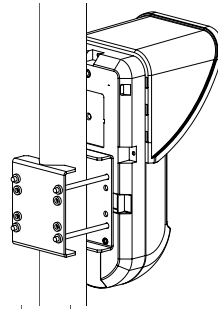
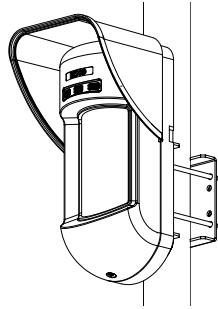
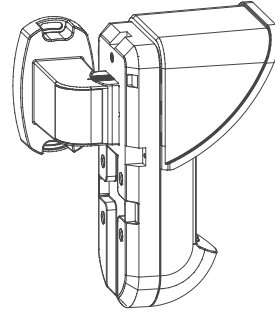
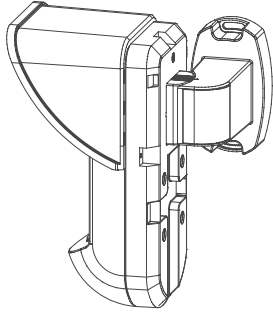
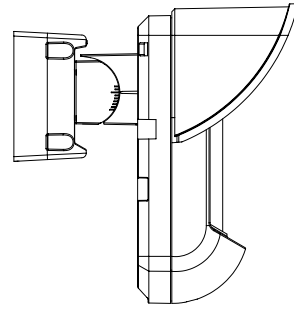
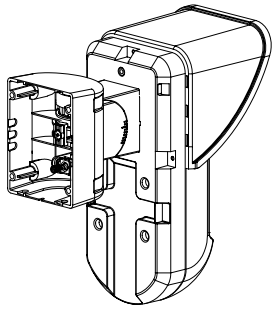


Table of Contents

English

- Installation 4**
- Introduction..... 4**
- Mounting 4**
 - Mounting Considerations..... 4
 - Wall Mount Installation 6
 - Flat Mounting:..... 6
 - 45° angle Mounting (Left side mounting) 6
 - Changing Back Tamper position 7
- Back Tamper Terminal Wiring 7**
- DIP Switch Settings 7**
 - Walk test..... 8
- LEDs Display 8**
- Operational Modes: 8**
- Transmitter/Receiver Communication link setup: 8**
- High / Low power Jumper 9**
- Standard Swivel Installation 9**
 - Wall Mounting..... 9
- Replacing Lenses 11**
- Lens Types..... 12**
- Technical Specification..... 13**
- Ordering Information 13**
- Accessories Kits 13**

Installation

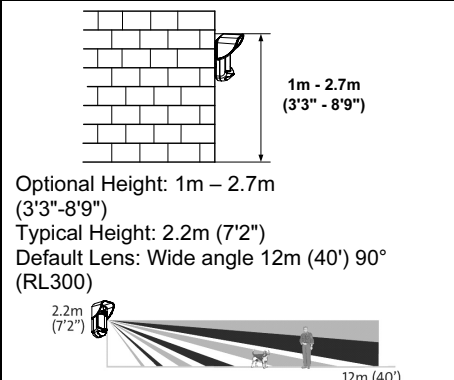
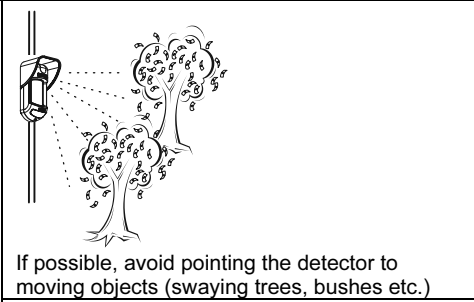
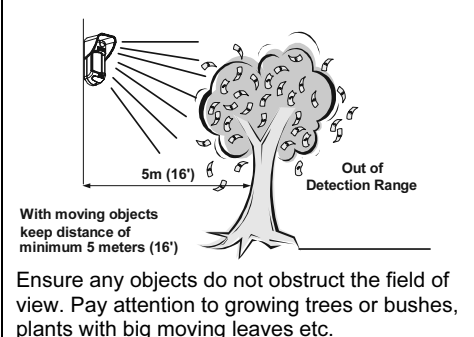
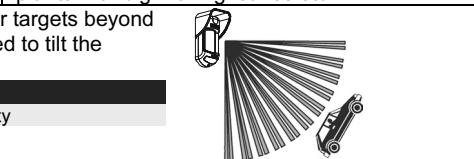
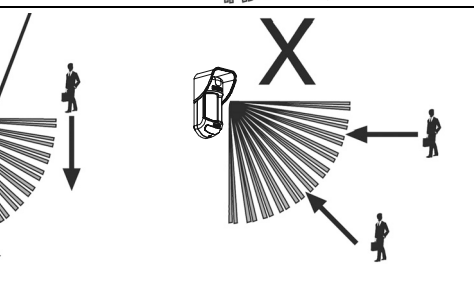
Introduction

RISCO Group's wireless PIR outdoor detector, Wireless WatchOUT, is a unique detector with signal processing based on two Passive Infrared (PIR) correlated channels. The detector can communicate with RISCO Group's ProSYS control panel or other RISCO Group's wireless receivers.

The following instructions describe the installation of the Wireless WatchOUT. For detailed information regarding installation, refer to the relevant receiver installation instructions.

Mounting

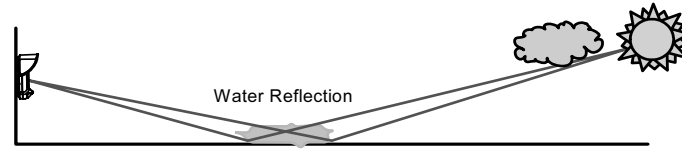
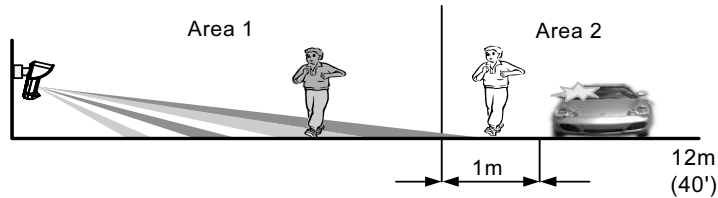
Mounting Considerations

 <p>Optional Height: 1m – 2.7m (3'3"-8'9") Typical Height: 2.2m (7'2") Default Lens: Wide angle 12m (40') 90° (RL300)</p> <p>Note:</p> <ol style="list-style-type: none">1. For low installations, below 1.7m (5'6") in which pet immunity is required, use the supplied RL300F lens (Low wall or fence installations).2. The detector's pet immunity (height of an animal, no weight limitation), is up to 70 cm (2'4"), when installing the detector at 2.2m (7'2"). If the installation is below the height mentioned above, the Pet Immunity decreases accordingly; every 10 cm (4") decrease in installation height leads to 10 cm (4") decrease in pet height immunity.	 <p>If possible, avoid pointing the detector to moving objects (swaying trees, bushes etc.)</p>  <p>With moving objects keep distance of minimum 5 meters (16')</p> <p>Ensure any objects do not obstruct the field of view. Pay attention to growing trees or bushes, plants with big moving leaves etc.</p>
<p>For installations with extensive vehicle traffic or targets beyond the required detection range, it is recommended to tilt the detector down.</p> <p>Note:</p> <p>Tilting the detector down may reduce the pet immunity</p>	
<p>For optimum detection, select a location that is likely to intercept an intruder moving across the coverage pattern at a 45° trajectory.</p>	

Installing Wireless WatchOUT PIR in challenging situations:

In the following situations, rapid and significant infrared radiation changes can happen in both PIR channels together, resulting in false alarms and therefore care should be taken.

1. Situations in which metal and/or glass objects measuring over 70cm (2'4") in height from the ground are in the field of view of the detector (cars, metal gates, shutters, metal walls, windows, etc.)
2. Situations in which a reflective surface on the ground larger than 1m (3'4") in diameter may cause reflection into the detector's lens. Examples of a reflective surface on the ground are a puddle, wet road or car park, smooth concrete or asphalt surface, swimming pool, etc.

**To avoid false alarms in the above situations:**

Reduce the detection range to 1m less than the distance of the metal/glass object or possible ground surface reflection, as follows:

1. Install the Wireless WatchOUT PIR on the supplied standard swivel bracket.
2. Reduce the detection range by sliding up the Wireless WatchOUT PCB within the detector housing, and by tilting the detector down on the swivel bracket.
3. To reduce the required tilting angle, it is recommended to install the detector at a lower mounting height and to use the Pet immune lens for low installations.
4. Confirm by walk-test that the Wireless WatchOUT PIR detects in Area 1, and that no detection occurs when walking in Area 2.

NOTES:

1. Please note that **any** outdoor PIR detector will require reduction in range to a shorter distance than the car, metal object or surface reflection (so that these objects won't be protected) in order to eliminate false alarms.
2. **For full 15m (50') coverage in the above situations, it is highly recommended to install the wired WatchOUT DT, the only outdoor detector with 2 PIR channels and 2 Microwave channels.**
3. Wireless WatchOUT detectors include high quality Silicon filters on the PIR sensors for blocking out white light interferences. These filters are not intended to block infrared thermal radiation.

Wall Mount Installation

Note:

The installation knockouts numbering are marked on the back plate.

1. Open Wireless WatchOUT front cover (unlock C1, Figure 1).
2. Release internal base (unlock I1, Figure 2).
3. Select mounting installation as follows:

Flat Mounting:

Open knockouts on external base (Figure 3).

- B1 - B4: Wall mounting knockouts
- T1: Back tamper knockout

45° angle Mounting (Left side mounting):

- a. Open knockouts on external base (Figure 3).
 - L1, L2: Left mounting knockouts
 - T3: Left tamper knockout
- b. Remove tamper spring (Figure 4).
- c. Replace tamper bracket (Item 1) with supplied flat tamper bracket (Item 2).



- d. Insert Tamper lever B onto T6 and T3 and secure screw A (Figure 3).
4. Secure external base to the wall.
 5. Insert tamper wires through internal base (Figure 4).
 6. Secure internal base to external base (lock I1, Figure 2).
 7. Close the front cover (Lock C1, Figure 1) after wiring and setting DIP switches.
 8. Walktest the detector.

Figure 1

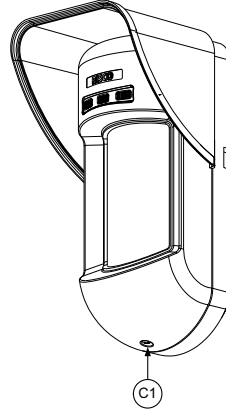


Figure 2

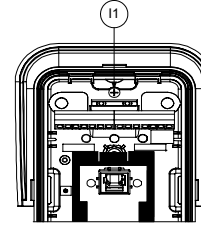


Figure 3

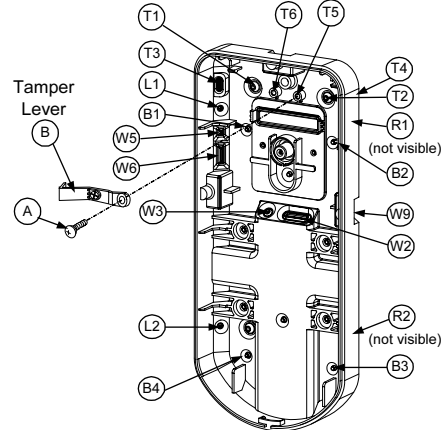
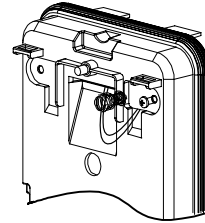


Figure 4



Note:

For 45° right side installation use the equivalent units on the external base as follows:

Knockouts Description	Left	Right
Mounting Knockouts	L1, L2	R1, R2
Tamper spring knockouts	T1, T3	T2, T4
Tamper screw anchor	T5	T6

Changing Back Tamper position

The back tamper is by default secured on the right side of the internal base (Rear view). If you wish to move it to the left side (rear view), do the following (Figure 5):

1. Remove tamper screw 1 in order to release the tamper from position 7.
2. Ensure tamper spring (2) rests over tamper wire base 4.
3. Ensure plastic tamper bracket (3) rests over both 2 and 4.
4. Secure tamper screw (1) into (3) over position 6.

Figure 5

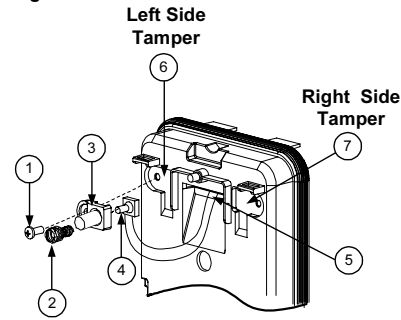


Figure 5

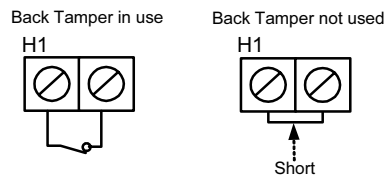
Notes:

1. Verify that you hear a "Click" when attaching the tamper spring to the wall.
2. For pole installation, the tamper can be moved to the bottom right-hand side of the internal base.

Back Tamper Terminal Wiring

If you wish to use the back tamper (recommended) remove the short from the back tamper terminal block and connect the back tamper wires to the back tamper terminal block.

BACK TAMPER



DIP Switch Settings



Factory
Default

DIP 1: LEDs operation

- On: LEDs enabled
- Off: LEDs disabled

DIP 2-3: PIR Detection Sensitivity

Sensitivity	DIP2	DIP3
Low	Off	Off
Mid	Off	On
Normal	On	Off
Maximum	On	On

DIP 4: Supervision time

- On: 65 minutes
- Off: 15 minutes

DIP 5: Normal/Test modes

- On: Test
- Off: Normal

DIP 6: Anti masking operation

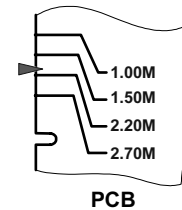
- On: Enabled
- Off: Disabled

Walk test

Two minutes after applying power, walk test the protected area to verify proper operation.

For installations on uneven surfaces slide the PCB inside the internal base to the appropriate setting according to the desired height (1.0m, 1.5m, 2.2m, 2.7m) as printed on the bottom left corner of the PCB or use the standard swivel accessory.

For reducing the detection range, slide the PCB up or tilt the swivel down.



LEDs Display

LED	State	Description
RED	Steady	Indicates ALARM
RED & YELLOW	RED followed By YELLOW	Indicates ALARM + Anti-masking

Operational Modes:

Operational Mode	Description
Normal	Dead time (between detection alarms) is 2.5 Minutes.
Test (walk test)	Dead time (between detection alarms) is 2.5 sec.
Write	The unit transmits a WRITE message each time both of the Tamper Switches (back and cover) are closed for at least 3 seconds.

Notes:

After power up the detector enters into test mode for a period of 20 minutes (disregarding the DIP switch Modes Position).

Transmitter/Receiver Communication link setup

The detector must identify itself to the system's receiver by writing its coded message into the receiver's address memory. This is accomplished by performing the following steps:

1. Set the receiver to Write Mode.
2. Remove the insulation material from the batteries and place them in the battery holders on the PCB on the right direction (pay attention to the "+" and "-" diagram on the PCB)
3. Send a WRITE message by pressing both of the tamper switches (back and cover) for at least 3 seconds.
4. Verify that the detector has been identified by the receiver.

CAUTION NOTICE

Changes or modifications not expressly approved by RISCO Group may void the user's authority to operate this equipment.

Simultaneous transmissions from two different units may cause message interference resulting in loss of information.

The communication quality of this unit may be affected by its surrounding environment. Nearby electrical equipment may interfere with its normal operation.

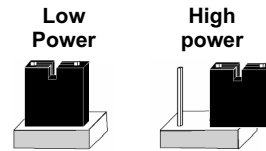
The operation of this unit must, therefore, be tested at each installation since its transmission quality may vary as a result of operational conditions.

NOTE:

DIP-Switch 1 should be in ON position to enable LED indications (regardless during the first 20 minutes after power up).

High / Low power Jumper

The jumper on selector J8 needs to be on OFF (High Power position) unless sold in countries with FCC compliance.



English

Standard Swivel Installation

The Outdoor detector packaging contains a standard swivel for flexible installation. Please follow the instructions below for mounting the detector with the Standard Swivel:

1. Open Wireless WatchOUT front cover (Unlock C1, Figure 1).
2. Release internal base (Unlock I1, Figure 2).
3. Remove back tamper from the internal base (see the "Changing Back Tamper Position" paragraph on page 7) and connect it to S5 (Figure 6, Detail A) on the Standard Swivel.
4. Select the mounting installation as follows:

Note:

Ensure that you see the engraved **UP** mark on the upper front face of the swivel.

Wall Mounting:

1. Insert back tamper wires through the Swivel Wires Passage (Figure 6, Detail B).
2. Secure swivel to the wall through holes S1, S3, S6 and S8.

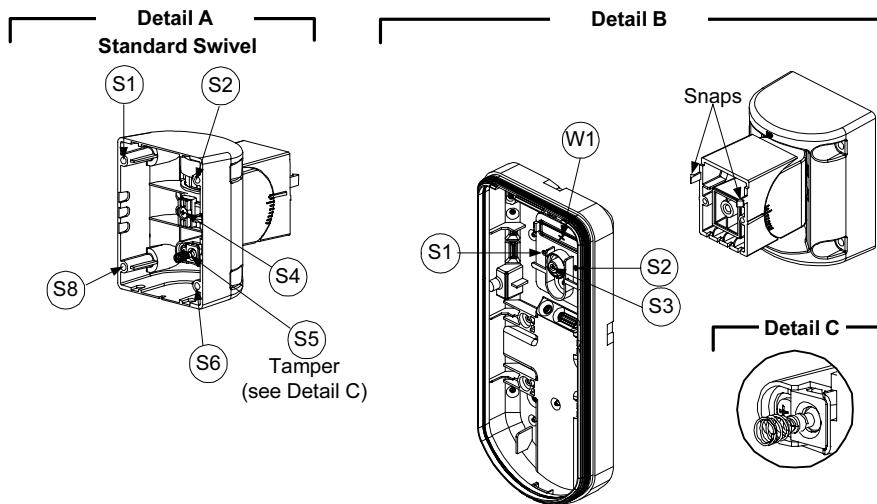


Figure 6

3. Connect the external base to the swivel using the dedicated snaps (Figure 8).

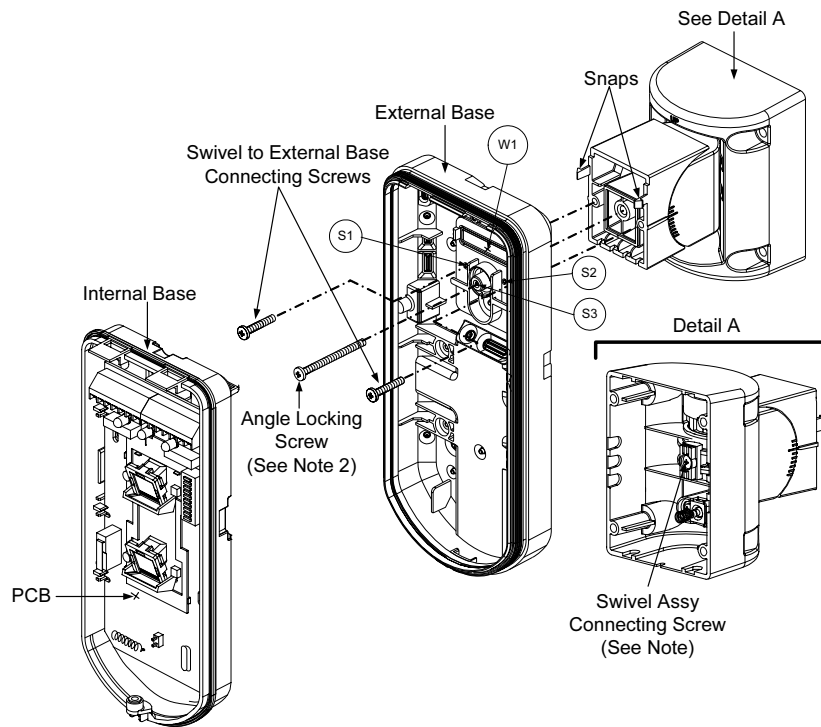


Figure 7

NOTE:

Do not open or close the Swivel Assy Screw since it is used for connecting the swivel parts only (factory tightened).

4. Secure external base to swivel with two screws fastened through knockouts S1 and S2 (Figure 7).
5. Insert the supplied angle locking screw from the external base through the angle locking screw knockout S3 on the external base to the standard swivel (Figure 7).
6. Tilt and Rotate the Standard Swivel to the desired position. Once the Standard Swivel is in the desired position, secure the angle locking screw.
7. Line up the internal base onto the external base. Insert tamper wiring through the internal base.
8. Secure internal base to external base (Lock I1, Figure 2).
9. To readjust the Standard Swivel when the PCB is installed (Figure 8):
 - a. Bend down the black foam located below the RED LED on the PCB (enough to reach the Swivel locking screw).
 - b. Use a Hex screwdriver to release the locking screw (see Figure 8).
 - c. Tilt and/or Rotate the Standard Swivel to the desired position.
 - d. Secure the angle locking screw.

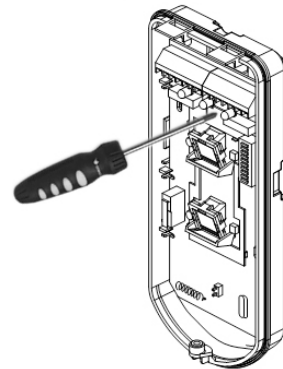


Figure 8: PCB

NOTE:

When marks on the two movable parts are aligned (Figure 7), the Standard Swivel is in 0° vertical /horizontal position. Each click from this position represents shifting of 5° in vertical / horizontal position.

10. Close the front cover (Lock C1, Figure 1) and walk test the detector.

NOTE:

The screw has to pass through External Base and locked to the swivel.

Replacing Lenses

1. Unlock the six screws that hold the lens holding sleeve from the back of the front cover.
2. To release the protective sleeve, gently push the lens from the external side of the front cover.
3. Disconnect the lens from the sleeve by gently pushing the lens clips that secure it to the sleeve.
4. Replace the lens. Place the 4 clips of the lens into the matching holes on the sleeve.
5. Insert the protective sleeve back into place on the front cover. Pay attention to place the sleeve over the sealing rubber.
6. Secure the 6 holding screws back to their place.

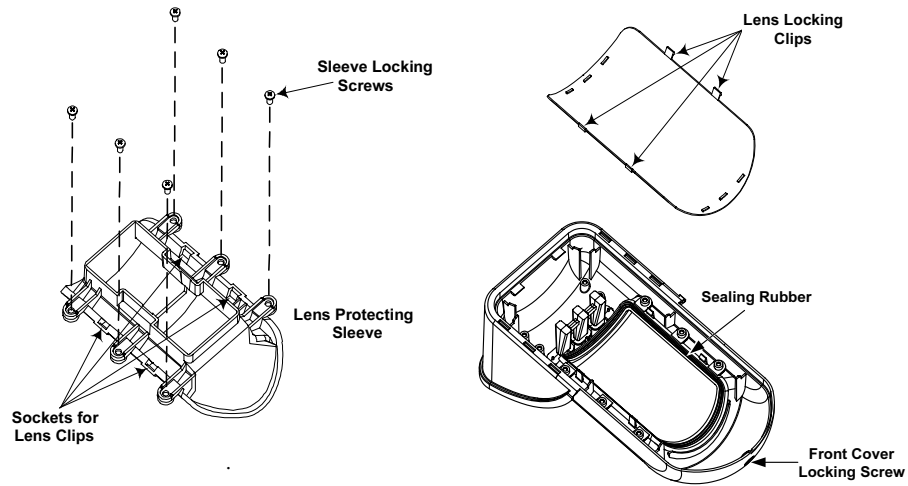
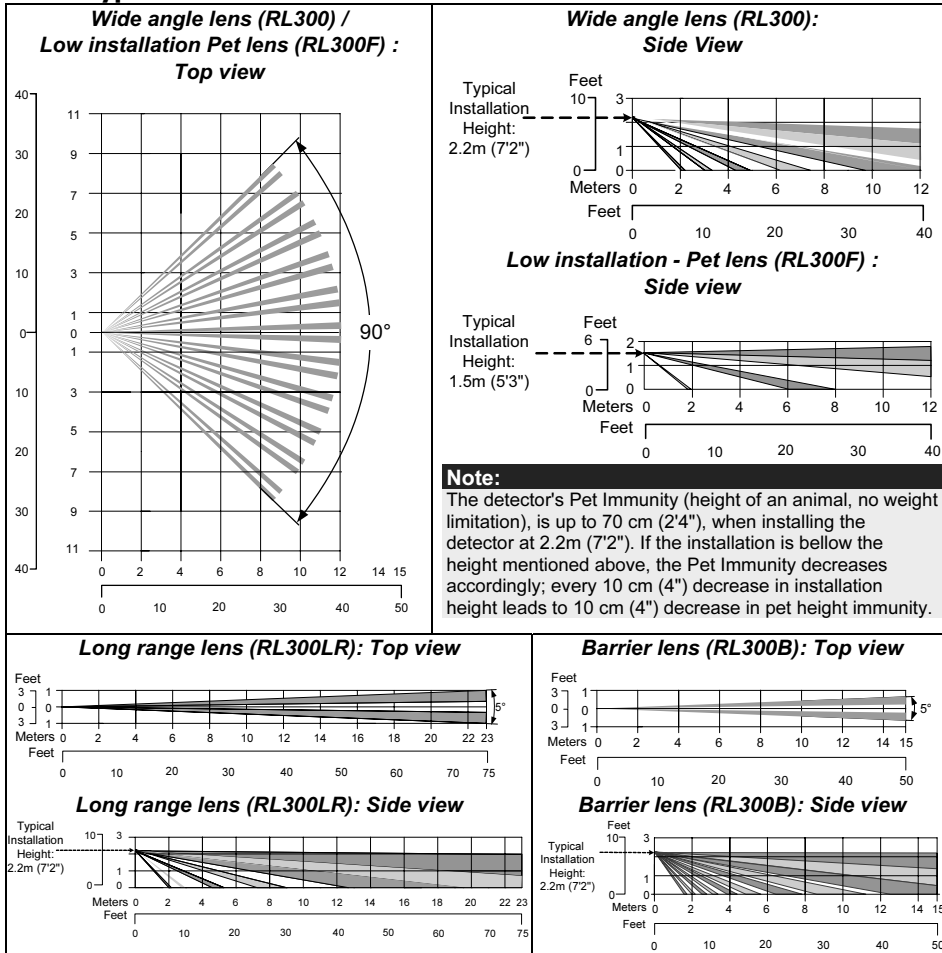


Figure 9

Lens Types



Technical Specification

Electrical	
Current consumption (standby)	35uA at 3 VDC (average)
Current consumption (Alarm transmission)	43mA at 3 VDC (Max. with LED OFF) 53mA at 3 VDC (Max. with LED ON)
Dead time (Normal Mode)	2.5 minutes
Modulation type	ASK
Battery life	3 years (Normal Mode)
Supervision transmission	Every 15/65 minutes.
Address codes	16 Millions
Range (loss)	300m (1000 feet)
Voltage requirements	CR123A 2 X 3VDC Lithium Batteries
Frequency	RWT312PR8000A 868.65MHz RWT312PR4000A 433.995MHz
Physical	
Size (LxWxD)	230 x 121 x 123mm (9 x 4.76 x 4.85 in.)
Environmental	
Operating/Storage temperature	-25°C to 60°C (-13°F to 140°F)
RF immunity	20V/m (80MHz to 2GHz)

* Specifications are subject to change without prior notice.

Ordering Information

Part Number	Description
RWT312PR800A	WatchOUT Wireless PIR 868 + swivel
RWT312PR400A	WatchOUT Wireless PIR 433 + swivel
Note: The detector contains a standard swivel and 3 replacement lenses (P/N engraved on the Lens): 1.7m low installation pet (RL300F), Long-range (RL300R), Barrier lens (RL300B).	

Accessories Kits

Part Number	Description	Weight
RA300B00000A	Barrier Swivel Kit	0.1 Kg (0.23 lb)
RA300P00000A	WatchOUT Pole Adaptor Kit	0.25 Kg (0.55 lb)
RA300HS0000A	WatchOUT Demo Housing	NA

Indice dei contenuti

Installazione	16
Introduzione	16
Installazione	16
Considerazioni preliminari.....	16
Installazione a parete.....	18
Installazione piana:	18
Installazione angolare di 45° (installazione a sinistra)	18
Descrizione fori a sfondare	18
Modifica della posizione del tamper antirimozione	19
Cablaggio del tamper antirimozione	19
Predisposizione Microinterruttori	19
Prova di movimento	20
Indicatori LED	20
Modi operativi:	20
Autoapprendimento del trasmettitore	20
Ponticello Alta / Bassa potenza	21
Installazione dello snodo standard	21
Installazione a parete.....	21
Sostituzione delle Lenti	23
Tipologie di Lenti	24
Specifiche tecniche	25
Informazioni per l'ordine	25
Kit accessori	25

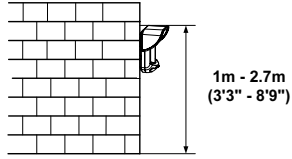

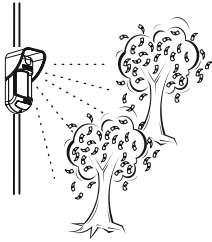
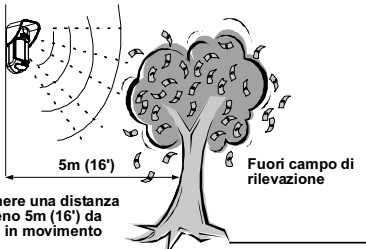
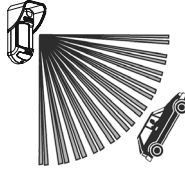
Italiano

Introduzione

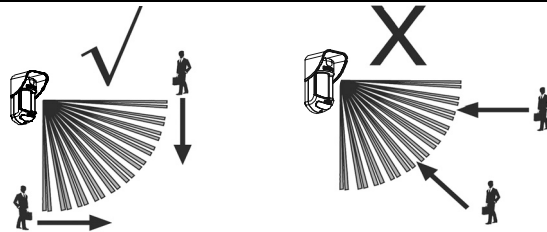
Il rivelatore da esterno ad infrarosso passivo WatchOUT via radio di RISCO è un dispositivo a microprocessore che elabora i segnali rilevati tramite due canali all'infrarosso passivo (PIR). Il rivelatore comunica con le centrali o con i ricevitori radio di RISCO Group. Le istruzioni che seguono descrivono le procedure per l'installazione del rivelatore WatchOUT radio. Per maggiori informazioni riguardanti la configurazione dei dispositivi radio fare riferimento alle istruzioni del ricevitore o della centrale radio utilizzata.

Installazione

Considerazioni preliminari

 <p>Altezza possibile: da 1m a 2.7m Altezza tipica: 2.2m Lenti installate: Grandangolo 12m 90° (RL300)</p> 	 <p>Se possibile, evitare di direzionare l'unità verso oggetti in movimento (alberi ondeggianti, cespugli, ecc.).</p>
<p>Note:</p> <ol style="list-style-type: none"> 1. Per altezze di installazione basse, al di sotto di 1.7m ove è richiesta l'opzione di discriminazione animali, vanno utilizzate le lenti RL300F (muri bassi o installazioni su recinzioni). 2. L'immunità agli animali del rivelatore (altezza di un animale, nessuna limitazione di peso), è fino a 70 cm quando il rivelatore viene installato a 2.2m. Se l'installazione è al di sotto di questa altezza, l'immunità agli animali diminuisce proporzionalmente; ogni 10 cm di diminuzione dell'altezza di installazione fa sì che l'immunità agli animali diminuisca di 10 cm. 	 <p>Mantenere una distanza di almeno 5m (16') da oggetti in movimento</p> <p>Fuori campo di rilevazione</p> <p>Assicurarsi che nessun oggetto ostruisca il campo di rilevazione dell'unità. Prestare attenzione alla crescita di alberi, rami e ad eventuali altre piante che con il tempo possono coprire l'area di rilevazione.</p>
<p>Per quelle installazioni vicino a strade ad intenso traffico di veicoli o altri oggetti in movimento oltre l'area di rilevazione desiderata, si consiglia di inclinare il rivelatore verso il basso fino ad evitare la copertura dell'area di passaggio degli autoveicoli.</p> <p>Note: Inclinando il rivelatore verso il basso è possibile che la funzione di immunità agli animali venga ridotta.</p> 	

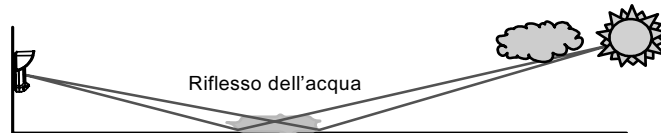
Per una migliore rivelazione selezionare una posizione di installazione in modo che l'eventuale intruso attraversi l'area di copertura perpendicolarmente rispetto alla posizione del rivelatore.



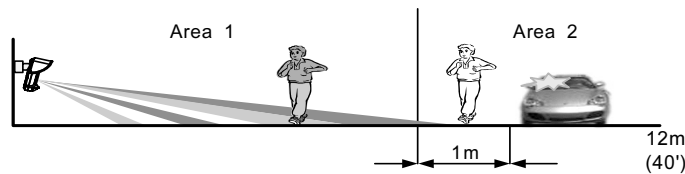
Installazione del WatchOUT PIR Radio in situazioni critiche:

Nelle seguenti situazioni variazioni delle radiazioni all'infrarosso rapide e rilevanti possono far sì che entrambi i canali PIR si attivino contemporaneamente, con conseguenti falsi allarmi.

1. Situazioni in cui oggetti riflettenti di vetro e/o metallo di dimensioni superiori ai 70 cm di altezza da terra siano nel campo visivo del rivelatore (automobili, cancelli metallici, saracinesche, muri metallici, finestre, etc.).
2. Situazioni in cui una superficie riflettente a terra con un diametro maggiore di 1m possa causare un riflesso nelle lenti del rivelatore. Per esempio una piscina, una pozzanghera, la strada bagnata, asfalto o cemento molto liscio.



Per evitare falsi allarmi nelle situazioni sopra:



1. Ridurre la portata del rivelatore di almeno un metro rispetto alla superficie riflettente o agli oggetti riflettenti di vetro e/o metallo. Procedere come di seguito spiegato.
2. Installare il WatchOUT PIR Radio con lo snodo standard fornito.
3. Ridurre la portata del rivelatore spostando verso l'alto la scheda elettronica del WatchOUT PIR radio e orientando verso il basso lo snodo del rivelatore.
4. Per ridurre l'angolo di inclinazione come desiderato si raccomanda di montare il rivelatore ad un'altezza di installazione più bassa e di utilizzare la lente di discriminazione animali per installazioni basse.
5. Verificare tramite la prova di copertura che il WatchOUT PIR Radio rilevi nell'Area 1, e che nessuna rilevazione avvenga quando si cammina nell'Area 2.

NOTE:

1. Si noti che **qualsiasi** rivelatore PIR da esterno, per evitare falsi allarmi, richiede una riduzione di portata al fine di evitare di proteggere superfici riflettenti come auto, oggetti metallici o pozzanghere.
2. **Per ottenere una copertura completa a 15m nelle installazioni sopra descritte, si raccomanda di installare il WatchOUT DT cablato, l'unico rivelatore da esterno con 2 canali PIR e 2 canali a microonde.**
3. I rivelatori WatchOUT includono sui sensori PIR dei filtri al silicene di elevata qualità per filtrare le interferenze causate dalle luci bianche. Questi filtri non bloccano le radiazioni termiche ad infrarossi necessarie per la rilevazione degli intrusi.

Installazione a parete

Nota:

I numeri di riferimento dei fori a sfondare per l'installazione sono marcati sulla base posteriore.

1. Aprire il coperchio frontale del WatchOUT (Svitare C1, Figura 1).
2. Sganciare la base interna (svitare I1, Fig. 2).
3. Selezionare l'altezza di installazione come segue:

Installazione piana:

Aprire i fori a sfondare della base esterna (Fig.3)

- B1 - B4: Fori a sfondare per installazione a parete
- T1: Foro a sfondare per il tamper antirimozione

Installazione angolare di 45° (installazione a sinistra):

- Aprire i fori a sfondare della base esterna (Figura 3)
 - L1, L2: Fori a sfondare per lato sinistro
 - T3: Foro a sfondare per tamper lato sinistro
- Remuovere la molla del tamper
- Sostituire la staffa 1 del tamper con la staffa piana 2 del tamper, fornita

Item 1



Item 2



- Inserire la leva B del tamper in T5 e T3 e stringere la vite A (figura 3).
- Assicurare la base esterna alla parete.
 - Inserire i cavi esterni e i cavi del tamper attraverso la base interna (Figura 4)..
 - Assicurare la base interna a quella esterna (bloccare I1, Figura 2).
 - Chiudere il coperchio frontale (bloccare C1, figura 1) dopo aver predisposto i microinterruttori.
 - Effettuare le prove di copertura.

Figura 1

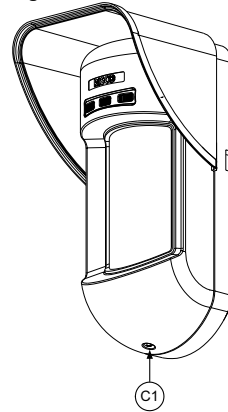


Figura 2

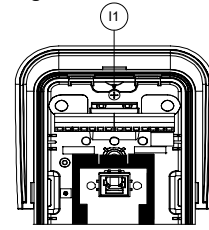


Figura 3

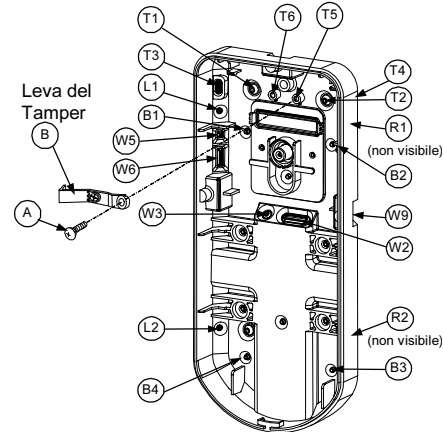
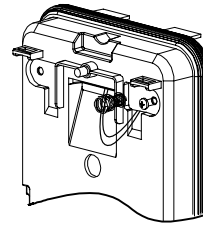


Figura 4



Nota:

Per l'installazione angolare a 45° sul lato destro del rivelatore, usare i riferimenti riportati sulla plastica della base come da tabella seguente, colonna destra:

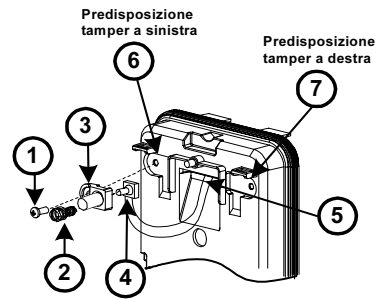
Descrizione fori a sfondare	Sinistra	Destra
Fori a sfondare per il fissaggio della base	L1, L2	R1, R2
Fori a sfondare molla tamper	T1, T3	T2, T4
Punto fissaggio vite Tamper	T5	T6

Modifica della posizione del tamper antirimozione

Di fabbrica il tamper antirimozione è fissato sul lato destro della base interna (vista posteriore). Se si desidera spostarlo nella parte sinistra (vista posteriore), procedere come segue (Figura 5):

1. Svitare la vite del tamper 1 per rimuoverlo dalla posizione 7.
2. Assicurarsi che la molla 2 del tamper resti posizionata sulla base 4 del tamper.
3. Assicurarsi che la staffa 3 del tamper resti tra 2 e 4.
4. Fissare la vite 1 del tamper in 3 sulla predisposizione 6.

Figura 5



Note:

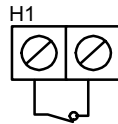
1. Verificare che si senta un "Click" quando la molla del tamper viene spinta verso il muro.
2. Per l'installazione su palo il tamper può essere spostato nella parte inferiore destra della base interna.

Cablaggio del tamper antirimozione

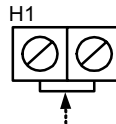
Se si desidera usare l'interruttore del tamper antirimozione (consigliato) rimuovere il cortocircuito dai morsetti del tamper antirimozione e collegare il filo dell'interruttore antirimozione ai morsetti dedicati al tamper antirimozione.

TAMPER ANTIRIMOZIONE

Utilizzo del tamper antirimozione



Tamper antirimozione non utilizzato



Cortocircuito

Predisposizione Microinterruttori



Default

MIC. 1: Predisposizione LED

- On:** LED abilitati
- Off:** LED disabilitati

MIC. 2-3: Sensibilità di rilevazione PIR

Sensibilità	MIC. 2	MIC. 3
Bassa	Off	Off
Media	Off	On
Normale (default)	On	Off
Alta	On	On

MIC. 4: Tempo di supervisione

- On:** 15 minuti
- Off:** 65 minuti

MIC. 5: Modalità Normale/Test

- On:** Test
- Off:** Normale

MIC. 6: Anti-Mask

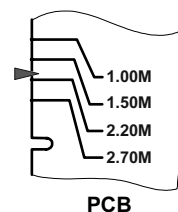
- On:** abilitato
- Off:** Disabilitato

Prova di movimento

Dopo 2 minuti dall'alimentazione del sensore, effettuare una prova di movimento all'interno dell'area protetta e verificare il buon funzionamento e la copertura del rivelatore.

Per regolare la copertura del sensore muovere la scheda elettronica interna del sensore per la predisposizione appropriata in funzione dell'altezza di installazione desiderata (1.0m, 1.5m, 2.2m, 2.7m) come stampato nella parte inferiore sinistra della scheda elettronica o, in alternativa, utilizzare lo snodo standard.

Per ridurre l'area di copertura spostare in alto la scheda elettronica o, se utilizzato, orientare lo snodo verso il basso.



Indicatori LED

LED	Stato	Descrizione
ROSSO	Acceso	Indica ALLARME
ROSSO E GIALLO	ROSSO seguito dal GIALLO	Indica ALLARME + ANTI-MASK

Modi operativi:

Modi operativi	Descrizione
Normale	Il tempo di inibizione tra due trasmissioni è di 2.5 minuti.
Test (prova di movimento)	Il tempo di attesa tra 2 allarmi consecutivi è di 2.5 secondi.
Trasmissione indirizzo (Write)	Nella modalità di autoapprendimento l'unità trasmette un messaggio WRITE ogni volta che gli interruttori tamper (apertura e rimozione) vengono chiusi per almeno 3 secondi.

Nota:

All'alimentazione il rivelatore entra in modalità test per un periodo di 20 minuti senza la necessità di predisporre su ON l'apposito microinterruttore.

Autoapprendimento del trasmettitore

Il rivelatore deve essere identificato dall'unità ricevente tramite la memorizzazione del suo codice univoco. Questa operazione viene realizzata seguendo le fasi di seguito descritte:

1. Impostare l'unità ricevente in modalità WRITE per la ricezione dell'indirizzo del rivelatore (fare riferimento alle istruzioni fornite con l'unità ricevente).
2. Rimuovere il materiale isolante dalle batterie del rivelatore e inserirle negli appositi alloggi situati sulla scheda elettronica. Prestare attenzione alla polarità marcata con i simboli "+" e "-" sulla scheda elettronica del rivelatore.
3. Trasmettere un messaggio di indirizzo (WRITE) premendo simultaneamente per almeno 3 secondi i due interruttori tamper dell'unità (tamper apertura e rimozione).
4. Verificare che il rivelatore sia stato correttamente identificato dal ricevitore (il ricevitore emette una segnalazione acustica e/o visualizza sul suo display il menù successivo).

AVVERTENZA

Modifiche o variazioni non approvate espressamente da RISCO Group possono fare decadere il diritto dell'utente all'utilizzo di questa apparecchiatura.

Trasmissioni simultanee da due differenti apparati possono causare interferenze e relativa perdita delle informazioni trasmesse.

La qualità di comunicazione di questa apparecchiatura può dipendere dall'ambiente in cui è installata. Apparecchiature elettriche situate nelle vicinanze possono creare interferenze al normale funzionamento dell'apparato.

Per i motivi citati il funzionamento di questa apparecchiatura deve essere testato ad ogni installazione poiché la qualità di comunicazione può variare al variare del sito di installazione.

NOTA:

Il microinterruttore 1 deve essere posto in ON per abilitare l'indicatore LED (tranne che per i primi 20 minuti di funzionamento dopo l'alimentazione del rivelatore).

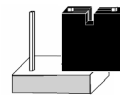
Ponticello Alta / Bassa potenza

Il ponticello J8 deve essere posizionato in modalità alta potenza (ponticello estratto) a meno che l'apparecchiatura non venga installata nelle immediate vicinanze del ricevitore o della centrale radio.

Bassa potenza



Alta potenza



Installazione dello snodo standard:

Il kit fornito con il rivelatore da esterno WatchOUT PIR radio include uno snodo standard per renderne più flessibile l'installazione. Leggere le istruzioni seguenti per installare il rivelatore con questo snodo.

1. Aprire il coperchio frontale (Allentare C1, Figura 1).
2. Sganciare la base interna (Svitare I1, Figura 2).
3. Rimuovere il tamper antirimozione dalla base interna (consultare paragrafo "Modifica della posizione del tamper antirimozione") e collegarlo a S5 (Figura 6, Dettaglio A) sullo snodo standard.
4. Selezionare le opzioni di installazione di seguito descritte:

NOTA:

Accertarsi che il marchio **UP** è presente nella parte frontale superiore dello snodo

Installazione a parete:

1. Inserire i cavi del tamper antirimozione facendoli passare tramite il passaggio cavi dello snodo (Figura 6, Dettaglio B).
2. Fissare lo snodo alla parete tramite i fori S1, S3, S6 ed S8.

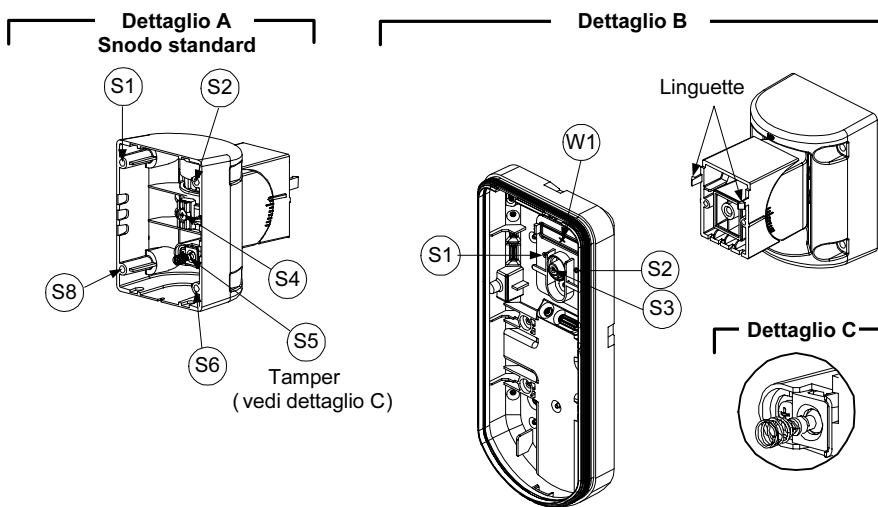


Figura 6

3. Unire la base esterna allo snodo utilizzando le apposite linguette ad incastro (Figura 8).

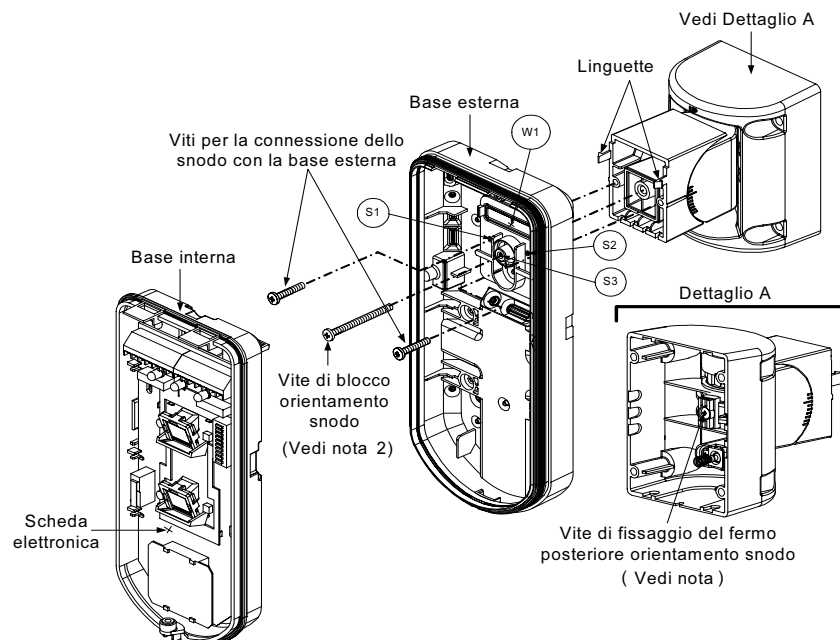


Figura 7

NOTA:

Per fissare la base del rivelatore allo snodo non usare la vite che blocca il fermo posteriore dello snodo. Questa vite non va usata poiché serve solo per il blocco dello snodo una volta orientato come desiderato.

4. Fissare la base esterna allo snodo con due viti tramite le predisposizioni S1 e S2 (Figura 7).
5. Inserire nello snodo standard la vite (fornita) di fissaggio ad angolo facendola passare dalla base esterna attraverso il foro a sfondare S3 (Figura 7).
6. Orientare orizzontalmente e verticalmente lo snodo fino ad ottenere la posizione desiderata e poi stringere la vite di blocco.
7. Infilare la base interna nella base esterna ed inserire tutti i cavi attraverso la base interna.
8. Fissare la base interna a quella esterna (fissare I1, figura 2).
9. Per regolare lo snodo standard quando viene installata la scheda elettronica procedere come segue (Figura 8):
 - a. Spostare la gomma nera situata sulla scheda elettronica sotto al LED rosso (quanto basta per raggiungere la vite di blocco dello snodo).
 - b. Utilizzare un cacciavite per svitare la vite di blocco (Fig. 8).
 - c. Orientare orizzontalmente e verticalmente lo snodo fino ad ottenere la posizione desiderata.
 - d. Stringere la vite di blocco orientamento snodo.

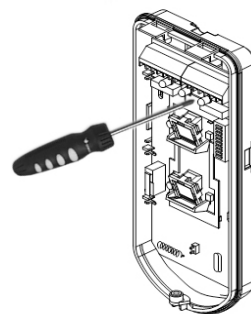


Fig. 8: Scheda elettronica

NOTA:

Quando i punti marcati delle due parti mobili sono allineati (figura 7), lo snodo standard si trova in posizione 0°. Ogni "click" verticale da questa posizione corrisponde ad un incremento / decremento di 5°.

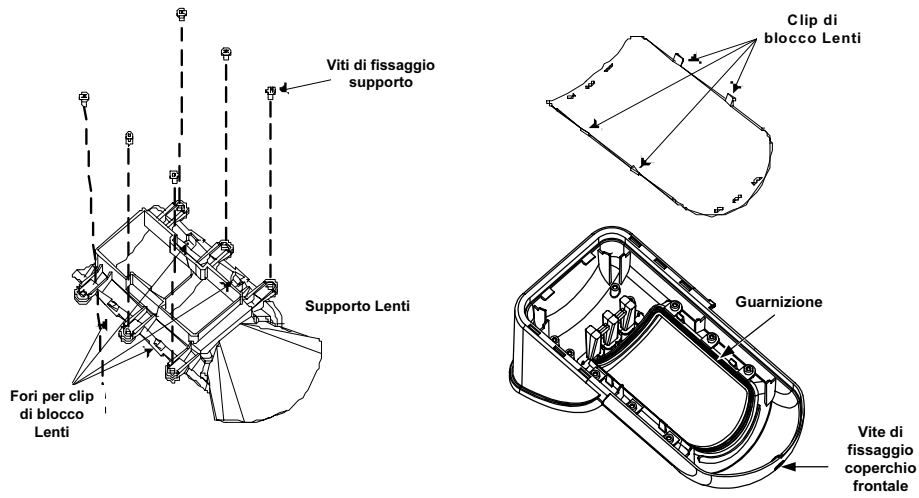
10. Chiudere il coperchio frontale (fissare C1, figura 1) e proseguire con la prova di movimento per verificare l'area di copertura del rivelatore.

NOTA:

La vite deve passare attraverso la base esterna ed essere fissata allo snodo.

Sostituzione delle Lenti

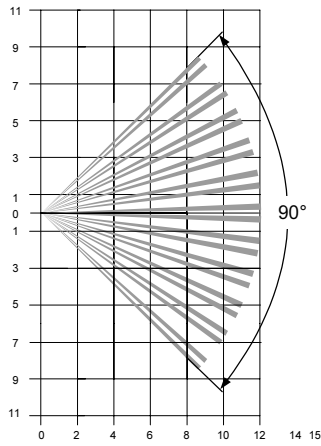
1. Nella parte interna del coperchio frontale svitare le sei viti che mantengono il supporto lenti.
2. Per sganciare il supporto delle Lenti effettuare una leggera pressione sulle lenti dalla parte anteriore del coperchio.
3. Sganciare le Lenti dal supporto facendo leggermente leva sulle clip laterali delle Lenti.
4. Sostituire le Lenti. Inserire le 4 clip delle Lenti negli appositi fori del supporto.
5. Inserire il supporto delle Lenti nel coperchio frontale del rivelatore. Prestare particolare attenzione a riposizionare il supporto esattamente sopra la guarnizione di gomma, verificando che anche la lente utilizzata per la protezione verticale dell'unità abbia la guarnizione correttamente posizionata.
6. Fissare il supporto tramite le 6 viti.



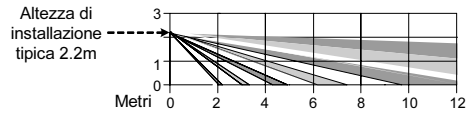
Tipologie di Lenti

Grandangolo (RL300) / Discriminazione animali – Installazione bassa (RL300F) :

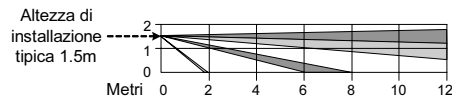
Vista dall'alto



Grandangolo (RL300): Vista laterale



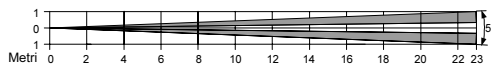
Discriminazione animali – Installazione bassa (RL300F) : Vista laterale



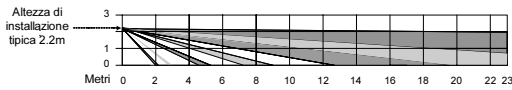
Nota:

L'immunità agli animali del rivelatore (altezza di un animale, nessuna limitazione di peso), è fino a 70 cm, quando viene installato il rivelatore a 2.2m. Se l'installazione è al di sotto di questa altezza, l'immunità agli animali diminuisce proporzionalmente; ogni 10 cm di diminuzione dell'altezza di installazione fa sì che l'immunità agli animali diminuisca di 10 cm.

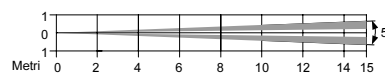
Lunga portata (RL300LR): Vista dall'alto



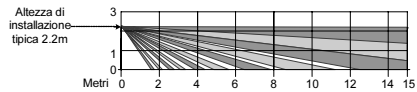
Lunga portata (RL300LR): Vista laterale



Barriera (RL300B): Vista dall'alto



Barriera (RL300B): Vista laterale



Specifiche tecniche

Elettriche	
Assorbimento in corrente (a riposo)	35uA a 3 Vcc (assorbimento medio)
Assorbimento in corrente (trasmissione allarme)	43mA a 3 Vcc (max. con LED spento) 53mA a 3 Vcc (max. con LED acceso)
Inibizione trasmissioni (Modo normale di funzionamento)	2.5 minuti
Tipo di modulazione	ASK
Autonomia batterie	3 anni (Modo normale di funzionamento)
Trasmissione di supervisione	Ogni 15/65 minuti.
Codici di indirizzo	16 milioni
Portata in aria libera	300m
Requisiti di alimentazione	2 batterie al litio CR123A
Frequenza	RWT312PR8000A 868.65MHz RWT312PR4000A 433.995MHz
Fisiche	
Dimensioni (LxWxD)	230 x 121 x 123mm
Ambientali	
Temp. operativa/stoccaggio	da -30°C a 60°C
Immunità interferenze RF	20V/m (da 80MHz a 2GHz)

* Le specifiche tecniche sono soggette a variazioni senza l'obbligo di preavviso.

Informazioni per l'ordine

Codice prodotto	Descrizione
RWT312PR800A	WatchOUT PIR radio 868 + snodo
RWT312PR400A	WatchOUT PIR radio 433 + snodo

Nota: il rivelatore viene fornito con uno snodo standard e 3 lenti aggiuntive marcate con i codici seguenti: grandangolo con discriminazione animali per installazioni al di sotto di 1.7 m di altezza (RL300F), Lunga portata (RL300R) e barriera (RL300B).

Kit accessori

Codice prodotto	Descrizione	Peso
RA300B00000A	Kit snodo per protezione a barriera	0.1 Kg
RA300P00000A	Kit adattatore da palo	0.25 Kg
RA300HS0000A	Contenitore Demo WatchOUT	NA

Índice

Instalación	28
Introducción	28
Montaje	28
Consideraciones de Montaje	28
Instalación del Montaje en Pared	30
Montaje Plano:.....	30
Montaje en ángulo de 45° (montaje del lado izquierdo).....	30
Cambiando la posición del Tamper Posterior	31
Cableado del Terminal del Tamper Posterior	31
Configuración del Interruptor DIP	31
Prueba de Movimiento.....	32
Visualización de los LEDs	32
Modos de Funcionamiento	32
Configuración de la conexión de Comunicación del Transmisor/Receptor	32
Puente de Energía Alta / Baja	32
Instalación de la Rótula Estándar	33
Montaje en Pared	33
Cambiando las Lentes	35
Tipos de Lentes	36
Especificaciones Técnicas	37
Información para Pedidos	37
Kits de Accesorios	37

Español

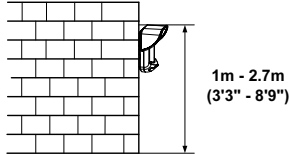

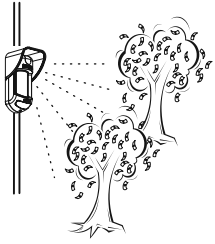
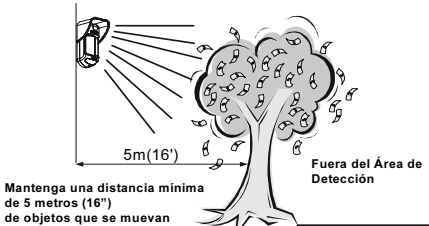
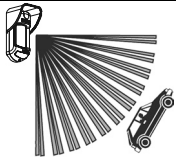
Introducción

El detector inalámbrico de exterior PIR de Risco Group, WatchOUT Inalámbrico, es un detector único con procesamiento de señal basado en dos canales correlacionados de Infrarrojo Pasivo (PIR). El detector puede comunicarse con el panel de control ProSYS de Risco Group o con otros receptores inalámbricos de Risco Group.

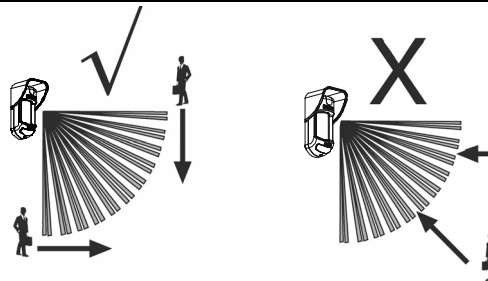
Las siguientes instrucciones describen la instalación del WatchOUT Inalámbrico. Para una información más detallada respecto a la instalación, refiérase a las instrucciones de instalación del receptor pertinente.

Montaje

Consideraciones de Montaje

 <p style="text-align: right; margin-right: 20px;">1m - 2.7m (3'3" - 8'9")</p> <p>Altura Opcional: 1m – 2.7m (3'3"-8'9") Altura Típica: 2.2m (7'2") Lentes Predeterminadas: Gran angular 12m (40') 90° (RL300)</p>  <p style="text-align: right; margin-right: 20px;">2.2m (7'2")</p> <p style="text-align: right; margin-right: 20px;">12m (40')</p> <p>Nota:</p> <ol style="list-style-type: none"> 1. Para instalaciones bajas, inferiores a 1.7m (5'6") en las cuales se necesite inmunidad a pequeños animales, use la lente provista RL300F (instalaciones en paredes o vallas bajas). 2. La inmunidad a pequeños animales del detector (altura de un animal, sin limitación del peso), es hasta 70 cm (2'4"), cuando el detector se instala a 2.2m (7'2"). Si la instalación es inferior a la altura mencionada arriba, la inmunidad a mascotas disminuye correspondientemente; cada 10 cm (4") menos en la altura de instalación conlleva una reducción de 10 cm (4") en la inmunidad de la altura de la mascota. 	 <p>Si posible, evite apuntar el detector hacia objetos que se muevan (árboles balanceándose, arbustos, etc.)</p> <hr/>  <p>Mantenga una distancia mínima de 5 metros (16') de objetos que se muevan</p> <p style="text-align: right;">Fuera del Área de Detección</p> <p>Asegúrese que ningún objeto obstruya el campo de visión. Preste atención a los árboles o arbustos en crecimiento, a las plantas con grandes hojas que se mueven, etc.</p>
<p>Para instalaciones con amplio tráfico de vehículos o blancos fuera del rango de detección requerido, se recomienda inclinar el detector hacia abajo.</p> <p>Nota: Inclinar el detector hacia abajo puede disminuir la inmunidad a pequeños animales</p>	

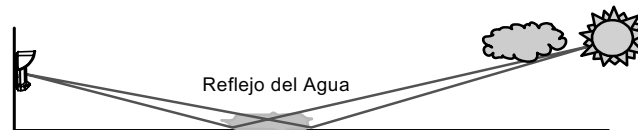
Para una detección óptima, seleccione una localización en la que sea probable interceptar un intruso moviéndose a través del patrón de cobertura en una trayectoria de 45°.



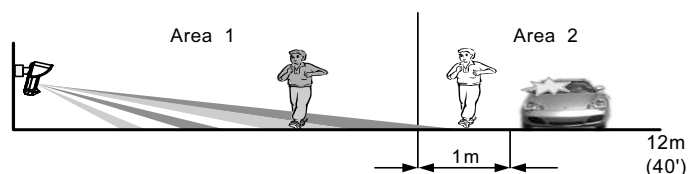
Instalando el WatchOUT Inalámbrico PIR en situaciones comprometidas:

En las siguientes situaciones, pueden producirse cambios rápidos y significativos de la radiación infrarroja en ambos canales PIR simultáneamente, provocando alarmas falsas y por tanto hay que tener cuidado en:

1. Situaciones en las que objetos de metal y/o de cristal a más de 70cm (2'4") de altura desde el suelo están en el campo de visión del detector (coches, puertas de metal, persianas, paredes de metal, ventanas, etc.)
2. Situaciones en las cuales una superficie brillante en el suelo con más de 1m (3'4") de diámetro pueda reflejar en la lente del detector. Ejemplos de superficie brillante en el suelo son un charco, una carretera o aparcamiento mojados, una superficie lisa de cemento o asfalto, una piscina, etc.



Para evitar falsas alarmas en las situaciones anteriores:



Reduzca el rango de detección a 1m menos que la distancia del objeto de metal/vidrio o de posibles reflejos de la superficie del suelo, como sigue:

1. Instale el WatchOUT PIR Inalámbrico en la rótula estándar proporcionada.
2. Reduzca el rango de detección deslizando hacia arriba el circuito impreso del WatchOUT Inalámbrico dentro de la carcasa del detector, e inclinando el detector hacia abajo en el soporte de la rótula.
3. Para reducir el ángulo de inclinación requerido, se recomienda instalar el detector a una altura de montaje más baja y utilizar la lente de inmunidad para pequeños animales para instalaciones bajas.
4. Confirme haciendo la prueba de movimiento que el WatchOUT PIR Inalámbrico detecta en el área 1, y que no se produce detección al caminar en el área 2.

NOTAS:

1. Por favor, tenga en cuenta que **cualquier** detector PIR de exterior necesitará reducir el rango a una distancia más corta que el coche, objeto metálico o superficie reflectante (por lo que estos objetos no se protegerán), para eliminar alarmas falsas.
2. Para una cobertura completa de 15m (50') en las situaciones anteriores, se recomienda instalar el WatchOUT DT, el único detector externo con 2 canales PIR y 2 canales Microondas.
3. Los detectores WatchOUT Inalámbricos incluyen filtros de silicio de alta calidad en los sensores PIR para bloquear las interferencias de luz blanca. Estos filtros no están previstos para bloquear la radiación térmica infrarroja.

Instalación del Montaje en Pared

Nota:

La numeración de los agujeros pre-marcados para la instalación está señalada en la placa posterior.

1. Abra la tapa delantera del WatchOUT Inalámbrico (abra C1, Figura 1).
2. Libere la base interna (abra I1, Figura 2).
3. Seleccione la instalación de montaje como sigue:

Montaje Plano:

Abra los agujeros pre-marcados en la base externa (Figura 3).

- B1 - B4: Agujeros pre-marcados de montaje en pared
- T1: Agujero pre-marcado del tamper posterior

Montaje en ángulo de 45° (montaje del lado izquierdo):

- a. Abra los agujeros pre-marcados en la base externa (Figura 3)
 - L1, L2: Agujeros pre-marcados de montaje del lado izquierdo
 - T3: Agujero pre-marcado del tamper izquierdo
- b. Quite el resorte del tamper (Fig. 4).
- c. Reemplace la abrazadera del tamper (Ítem 1) por la abrazadera plana del tamper suministrada (Ítem 2)

Ítem 1



Ítem 2



- d. Inserte la palanca B del tamper en el T6 y T3 y apriete el tornillo A (Figura 3)
4. Asegure la base externa a la pared.
 5. Inserte los cables del tamper a través de la base interna (Figura 4).
 6. Asegure la base interna a la base externa (cierre I1, Figura 2).
 7. Cierre la tapa delantera (cierre C1, Figura 1) después de cablear y configurar los interruptores DIP.
 8. Haga la prueba de movimiento del detector.

Figura 1

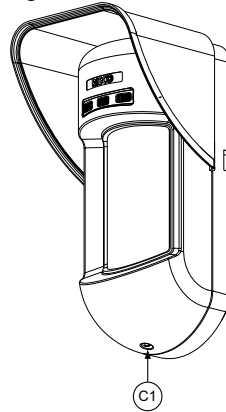


Figura 2

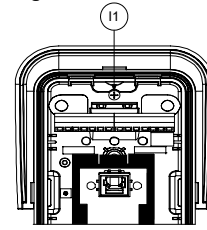


Figura 3

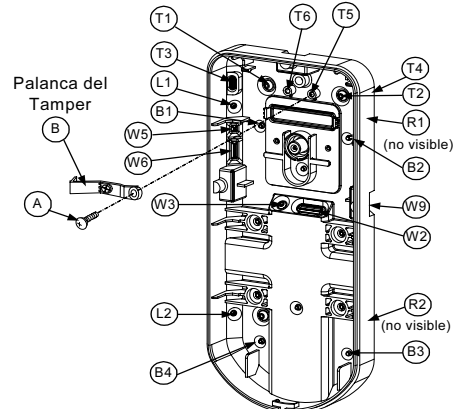
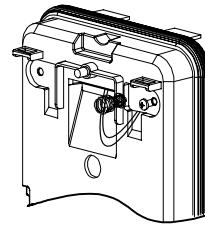


Figura 4



Nota:

Para la instalación del lado derecho a 45° use las unidades equivalentes en la base externa como sigue:

Descripción	Lado Izquierdo	Lado Derecho
Agujeros pre-marcados de montaje	L1, L2	R1, R2
Agujeros pre-marcados del resorte del tamper	T1, T3	T2, T4
Anclaje del tornillo del tamper	T5	T6

Cambiando la posición del Tamper Posterior

El tamper posterior por defecto se asegura en el lado derecho de la base interna (vista posterior). Si desea moverlo al lado izquierdo (vista posterior), haga lo siguiente (Figura 5):

1. Quite el tornillo 1 del tamper para liberar el tamper de la posición 7.
2. Asegúrese que el resorte del tamper (2) está asentado sobre la base del cable del tamper 4.
3. Asegúrese que la abrazadera plástica del tamper (3) esté asentada en el 2 y 4.
4. Asegure el tornillo del tamper (1) en el (3) sobre la posición 6.

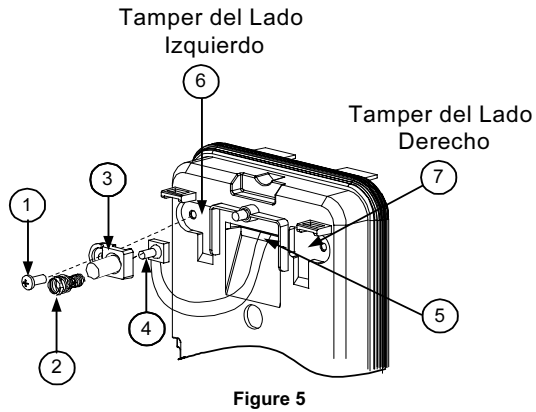


Figure 5

Notas:

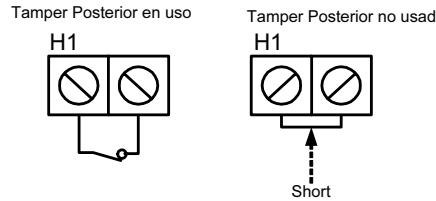
1. Asegúrese que escucha un "clic" al fijar el resorte del tamper a la pared.
2. Para instalación en poste, el tamper puede moverse a la parte inferior del lado derecho de la base interna.

Español

Cableado del Terminal del Tamper Posterior

Si desea utilizar el tamper posterior (recomendado) quite el cortocircuito del bloque de terminales del tamper posterior y conecte el cable del tamper posterior al bloque de terminales del tamper posterior.

TAMPER POSTERIOR



Configuración del Interruptor DIP



Predeterminado en Fábrica

DIP 1: Funcionamiento de los LEDs

- On: LEDs activados
- Off: LEDs desactivados

DIP 2-3: Sensibilidad de Detección PIR

Sensibilidad	DIP2	DIP3
Baja	Off	Off
Mediana	Off	On
Normal	On	Off
Máxima	On	On

DIP 4: Tiempo de supervisión

- On: 65 minutos
- Off: 15 minutos

DIP 5: Modos Normal/Prueba

- On: Normal
- Off: Prueba

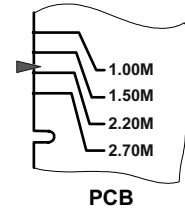
DIP 6: Funcionamiento Anti-enmascaramiento

- On: Activado
- Off: Desactivado

Prueba de Movimiento

Dos minutos después de aplicar alimentación, hacer la prueba de movimiento en el área protegida para verificar su correcto funcionamiento. Para instalaciones en superficies desniveladas, deslice el PCB dentro de la base interna al ajuste apropiado según la altura deseada (1.0m, 1.5m, 2.2m, 2.7m) como está impreso en la esquina inferior izquierda del PCB o use el accesorio de rótula estándar.

Para reducir el rango de detección, deslice el PCB hacia arriba o incline la rótula hacia abajo.



Visualización de los LEDs

LED	Estado	Descripción
ROJO	Constante	Indica ALARMA
ROJO y AMARILLO	ROJO seguido por AMARILLO	Indica ALARMA + Anti-enmascaramiento

Modos de Funcionamiento

Modo de Funcionamiento	Descripción
Normal	El tiempo muerto (entre alarmas de detección) es de 2.5 minutos.
Prueba (de movimiento)	El tiempo muerto (entre alarmas) es de 2.5 segundos.
Escribir	La unidad transmite un mensaje WRITE (escritura) cada vez que ambos Interruptores del Tamper (posterior y tapa) están cerrados por lo menos durante 3 segundos

Notas:

Después de alimentar el detector, éste entra en el modo prueba durante un periodo de 20 minutos (haciendo caso omiso de la Posición de los Modos del interruptor DIP).

Configuración de la conexión de Comunicación del Transmisor/Receptor

El detector debe identificarse en el receptor del sistema escribiendo su mensaje cifrado en la dirección de memoria del receptor. Esto se consigue realizando los siguientes pasos:

1. Ajuste el receptor al Modo Write (escritura).
2. Quite el material aislante de las baterías y colóquelas en los soportes de las baterías en el PCB en la dirección correcta (preste atención al diagrama "+" y "-" en el PCB).
3. Envíe un mensaje WRITE (escritura) presionando ambos interruptores del tamper (posterior y tapa) durante al menos 3 segundos.
4. Verifique que el detector ha sido identificado por el receptor.

AVISO DE PRECAUCIÓN

Cambios o modificaciones que no estén expresamente aprobados por RISCO Group podrán anular la autoridad del usuario para manejar este equipo.

Las transmisiones simultáneas desde dos unidades distintas pueden provocar interferencia de mensaje, causando una pérdida de información.

La calidad de la comunicación de esta unidad puede verse afectada por su entorno circundante.

Equipo eléctrico cercano puede interferir en su funcionamiento normal.

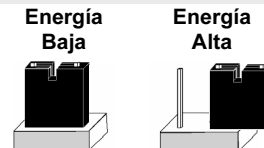
El funcionamiento de esta unidad debe, por lo tanto, ser probado en cada instalación puesto que su calidad de transmisión puede variar como resultado de las condiciones de funcionamiento.

NOTA:

El interruptor DIP 1 debe estar en la posición ON para habilitar las indicaciones del LED (independientemente durante los primeros 20 minutos después de activado).

Puente de Energía Alta / Baja

El puente (jumper) del selector J8 debe estar en OFF (posición de Energía Alta) a menos que se venda en países que cumplan con la FCC.



Instalación de la Rótula Estándar

El embalaje del detector de Exterior contiene una rótula estándar para una instalación flexible. Por favor, siga las siguientes instrucciones para montar el detector con la Rótula Estándar:

1. Abra la tapa delantera del WatchOUT Inalámbrico. (Abra C1, Figura 1).
2. Libere la base interna (Abra I1, Figura 2).
3. Retire el tamper posterior de la base interna (ver el párrafo "Cambiando la Posición del Tamper Posterior") y conéctelo a S5 (Figura 6, Detalle A) en la Rótula Estándar.
4. Seleccione la instalación de montaje como sigue:

Nota:

Asegúrese que ve la marca **UP** grabada en la parte superior de la parte frontal de la rótula.

Montaje en Pared

- a. Inserte los cables del tamper posterior a través del Conducto de Cables de la Rótula (Figura 6, Detalle B).
- b. Fije la rótula a la pared a través de los agujeros S1, S3, S6 y S8.

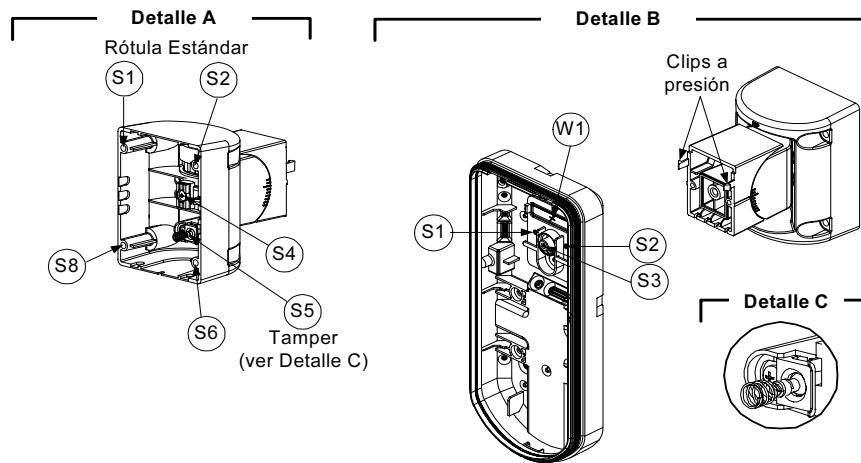


Figura 6

- c. Conecte la base externa a la rótula usando los clips a presión para tal fin (Figura 8).

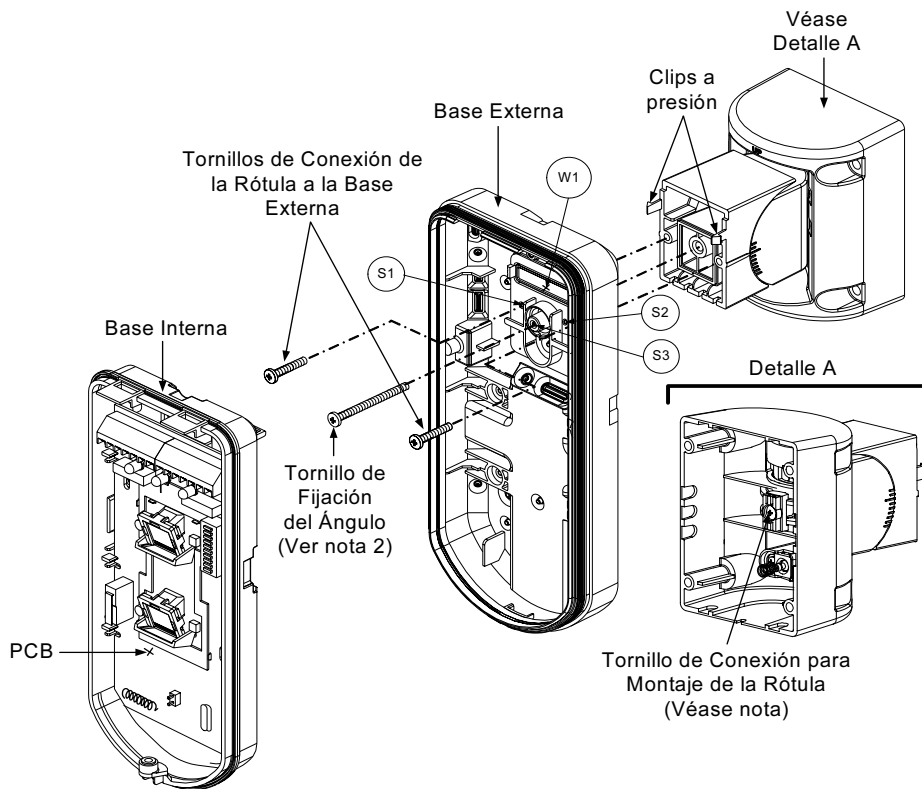


Figura 7

NOTA:

No abra o cierre el Tornillo de Ensamblaje de la Rótula ya que se usa sólo para unir las partes de la rótula (atornillado de fábrica).

5. Fije la base externa a la rótula con 2 tornillos fijados a través de los agujeros pre-marcados S1 y S2 (Figura 7).
6. Inserte el tornillo de fijación del ángulo suministrado, desde la base externa a través del agujero pre-marcado del tornillo de fijación del ángulo S3 en la base externa, hasta la rótula estándar (Figura 7).

7. Incline y Gire la Rótula Estándar hasta la posición deseada. Una vez que la Rótula Estándar esté en la posición deseada, apriete el tornillo de fijación del ángulo.
8. Alinee la base interna con la base externa. Inserte el cableado del tamper a través de la base interna.
9. Asegure la base interna a la externa (Cierre I1, Figura 2).
10. Para reajustar la Rótula Estándar cuando el PCB está instalado (Figura 8):
 - a. Levante la espuma negra situada debajo del LED ROJO en el PCB (lo suficiente para acceder al tornillo de fijación de la Rótula).
 - b. Use un destornillador de Estrella para liberar el tornillo de fijación (ver Figura 8).
 - c. Incline y/o Gire la Rótula Estándar a la posición deseada.
 - d. Asegure el tornillo de fijación del ángulo.

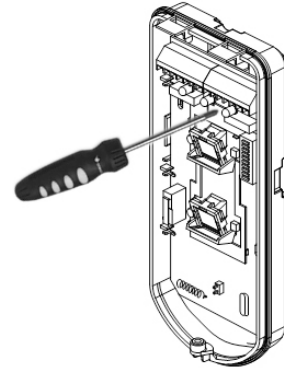


Figura 8: PCB

NOTA:

Cuando las marcas en las dos partes móviles están alineadas (Figura 7), la Rótula Estándar está en la posición vertical / horizontal de 0°. Cada "clic" desde esta posición representa un desplazamiento de 5° en la posición vertical / horizontal.

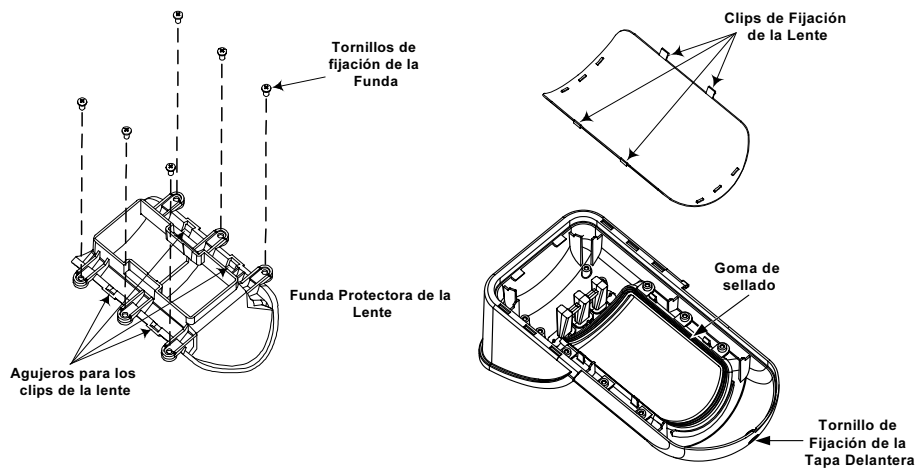
11. Cierre la tapa delantera (Cierre C1, Figura 1) y haga la prueba de movimiento del detector.

NOTA:

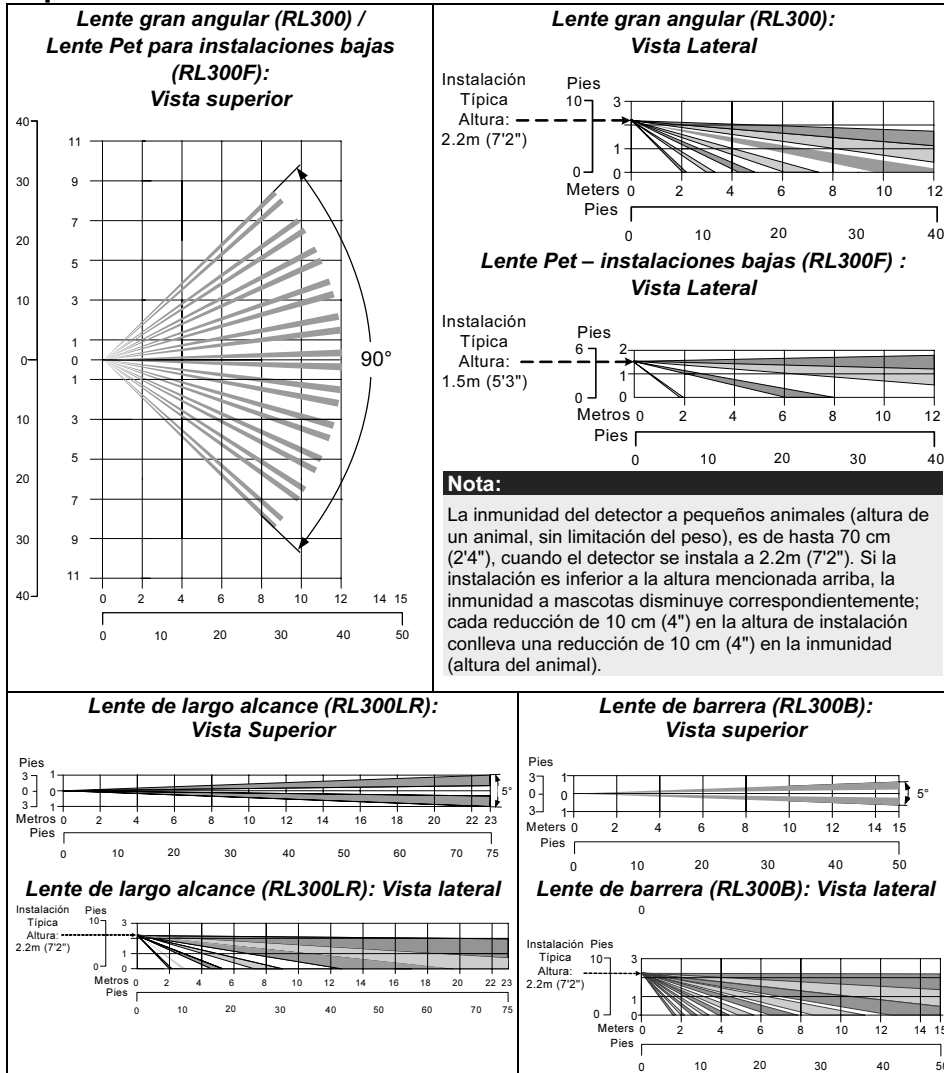
El tornillo tiene que pasar a través de la Base Externa y fijarse a la rótula.

Cambiando las Lentes

1. Abra los seis tornillos que sostienen la funda protectora de la lente de la parte posterior de la tapa delantera.
2. Para liberar la funda protectora, empuje suavemente la lente desde el lado externo de la tapa delantera.
3. Separe la lente de la funda empujando suavemente los clips de fijación que la sujetan a la funda.
4. Sustituya la lente. Coloque los 4 clips de la lente en los agujeros apropiados en la funda.
5. Vuelva a insertar la funda protectora en su lugar en la tapa delantera. Preste atención al colocar la funda sobre la goma de sellado.
6. Asegure los 6 tornillos colocados de nuevo en su lugar.



Tipos de Lentes



Especificaciones Técnicas

Eléctrica	
Consumo de corriente (reposo)	35uA a 3 VDC (promedio)
Consumo de corriente (transmisión de alarma)	43mA a 3 VDC (máx. con LED OFF) 53mA a 3 VDC (máx. con LED ON)
Tiempo muerto (Modo Normal)	2.5 minutos
Tipo de modulación	ASK
Duración de la batería	3 años (Modo Normal)
Transmisión de Supervisión	Cada 15/65 minutos.
Códigos de dirección	16 Millones
Rango (pérdida)	300m (1000 pies)
Requisitos de voltaje	CR123A 2 X 3VDC Baterías de Litio
Frecuencia	RWT312PR8000A 868.65MHz RWT312PR4000A 433.995MHz
Física	
Tamaño (LxAxP)	230 x 121 x 123mm (9 x 4.76 x 4.85 pul.)
Ambiental	
Temperatura de Operación / Almacenamiento	-25°C a 60°C (-13°F a 140°F)
Inmunidad a RF	20V/m (80MHz a 2GHz)

* Las especificaciones están sujetas a cambios sin previo aviso.

Información para Pedidos

Referencia	Descripción
RWT312PR800A	WatchOUT inalámbrico PIR 868 + rótula giratoria
RWT312PR400A	WatchOUT inalámbrico PIR 433 + rótula giratoria
Nota: El detector contiene una rótula estándar y 3 lentes de reemplazo (Ref. grabada en la Lente) 1.7m instalación baja con inmunidad a pequeños animales (RL300F), largo alcance (RL300R) y lente de barrera (RL300B).	

Kits de Accesorios

Parte Número	Descripción	Peso
RA300B00000A	Eslabón giratorio de barrera	0.1 Kg (0.23 lb)
RA300P00000A	Kit Adaptador de Poste para el WatchOUT	0.25 Kg (0.55 lb)
RA300HS0000A	Carcasa Demo de WatchOUT	NA

Español

Table des Matières

Installation	40
Introduction	40
Montage	40
Conditions de montage	40
Installation murale	42
Montage à plat :	42
Montage à 45° (montage sur côté gauche)	42
Changement de position de l'autoprotection arrière	43
Réglage des interrupteurs DIP	44
Test de passage	44
Afficheur à diodes LED	44
Modes opérationnels :	44
Paramétrage de la liaison Transmetteur/ Récepteur :	44
Cavalier Haute / Basse tension	45
Installation de l'accessoire pivot	45
Installation murale	45
Remplacement des lentilles	47
Types de lentilles	48
Spécifications techniques	49
Information Catalogue	49
Sets d'accessoires	49

Introduction

Le détecteur PIR extérieur sans fil du Groupe RISCO, Wireless WatchOUT, est un détecteur unique en son genre, doté d'un traitement de signaux qui repose sur deux canaux à infrarouge passif (PIR) mis en corrélation. Ce détecteur est capable de communiquer avec la centrale ProSYS ou tout autre récepteur radio du Groupe RISCO.

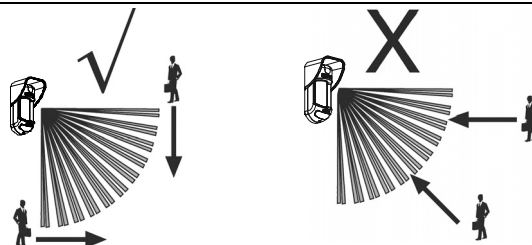
Les instructions ci-dessous décrivent l'installation détecteur radio 'Wireless WatchOUT'. Pour en savoir plus sur l'installation, veuillez consulter le mode d'installation du récepteur concerné.

Montage

Conditions de montage

<p>Hauteur optionnelle : 1m – 2.7m (3'3"-8'9") Hauteur caractéristique : 2,2m (7'2") Lentille installée par défaut : Grand angle 12m (40') 90° (RL300)</p>	<p>Si possible, évitez d'orienter le détecteur vers des objets en mouvement (buissons, arbres aux branches oscillantes etc.)</p>
<p>Remarque :</p> <ol style="list-style-type: none"> 1. Pour les installations à faible hauteur, en dessous de 1,7m (5'6") nécessitant l'immunité aux animaux domestiques, utilisez la lentille RL300F fournie (pour installations sur clôture ou mur de faible hauteur). 2. L'immunité du détecteur aux animaux domestiques (caractérisée par la taille d'un animal, sans limitation de poids), va jusqu'à 70 cm (2'4") pour une installation du détecteur à 2,2m (7'2"). En cas d'installation en dessous de la hauteur susmentionnée, l'immunité aux animaux domestiques se réduit en conséquence ; chaque abaissement de 10 cm (4") réduit de 10 cm (4") l'immunité aux animaux domestiques. 	<p>Maintenez une distance de 5 m au moins entre le détecteur et tout objet</p> <p>Hors de portée de détection</p> <p>Assurez-vous qu'aucun objet n'obstrue le champ de vision. Prêtez attention aux buissons ou arbres en pleine croissance, aux plantes aux grandes feuilles souples, etc.</p>
<p>Pour les installations exposées au grand trafic de véhicules ou ayant des objectifs au-delà de la portée de détection requise, il est recommandé d'incliner le détecteur vers le bas.</p> <p>Remarque : L'inclinaison du détecteur vers le bas est susceptible de réduire l'immunité aux animaux domestiques.</p>	

Pour obtenir une capacité maximale de détection, choisissez un endroit susceptible de capter le passage de tout intrus dans la zone couverte par les rayons à 45°.



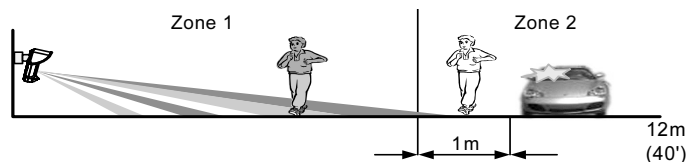
Installation du détecteur PIR radio sans fil WatchOUT dans des conditions particulières:

Dans les situations suivantes, des modifications importantes et rapides de radiation infrarouge peuvent se produire dans les deux canaux PIR à la fois, risquant d'entraîner de fausses alarmes, d'où la nécessité de prendre certaines précautions :

1. Si des objets de métal et/ ou en verre atteignant plus de 70cm (2'4") de hauteur au-dessus du sol se trouvent dans le champ de vision du détecteur (véhicules, portails métalliques, volets, parois métalliques, fenêtres, etc.),
2. Si une surface réfléchissante au sol supérieure à 1m (3'4") de diamètre est susceptible de provoquer une réflexion dans la lentille du détecteur. Par exemple : une flaqué d'eau, une chaussée humide ou une aire de stationnement, une surface en béton poli ou d'asphalte, une piscine, etc.



Pour éviter le risque de fausses alarmes dans les conditions ci-dessus:



La portée de détection doit être inférieure à 1 m par rapport à la distance qui sépare le détecteur de l'objet en métal ou en verre ou de l'éventuelle surface de réflexion au sol. Pour cela, procédez comme suit :

1. Installez le détecteur PIR sans fil WatchOUT sur le pivot standard fourni.
2. Réduisez la portée de détection en faisant glisser la carte PCB du Wireless WatchOUT vers le haut à l'intérieur du boîtier du détecteur, tout en inclinant ce dernier vers le bas sur le pivot.
3. Pour réduire l'angle d'inclinaison nécessaire, il est recommandé d'installer le détecteur à moindre hauteur de montage et d'utiliser les lentilles conçues avec immunité aux animaux domestiques pour les installations basses.
4. Vérifiez par test de passage que le WatchOUT PIR sans fil détecte bien en Zone 1, et qu'aucune détection ne se produit lorsqu'on traverse la zone 2.

REMARQUES :

1. Veuillez prendre note que **tout** détecteur PIR extérieur nécessite une réduction de portée à plus courte distance que l'endroit où se trouve la voiture, l'objet métallique ou la surface de réflexion (de sorte que ces objets ne sont pas protégés), et ce, afin de neutraliser les fausses alarmes.
2. **Pour une couverture complète de 15m (50') dans les conditions décrites ci-dessus, il est vivement recommandé d'installer un détecteur WatchOUT DT, seul détecteur extérieur doté de 2 canaux PIR et de 2 canaux Micro-ondes.**
3. Les détecteurs 'WatchOUT' sans fil sont équipés de filtres en Silicium de haute qualité placés sur les capteurs PIR pour bloquer les interférences causées par la lumière blanche. Ces filtres ne sont pas conçus pour le blocage des radiations thermales infrarouges.

Installation murale

Remarque :

Pour faciliter l'installation, les pastilles défonçables prévues à cet effet sont numérotées sur la paroi arrière de l'appareil.

1. Ouvrez le couvercle du WatchOUT. (Débloquez en C1, Figure 1).
2. Dégagez le socle interne (débloquez en I1, Figure 2).
3. Choisissez le mode d'installation comme suit :

Montage à plat :

Percez les pastilles pré-percées du socle externe (Figure 3).

- B1 - B4: pastilles pré-percées pour installation murale.
- T1: pastille pré-percées de l'autoprotection arrière

Montage à 45° (montage sur côté gauche):

- a. Percez les pastilles pré-percées du socle externe (Figure 3)
 - L1, L2: pastilles pré-percées pour montage à gauche.
 - T3: pastille pré-percées de l'autoprotection arrière.
- b. Retirez le ressort de l'autoprotection (Figure 4).
- c. Remplacez le crochet d'autoprotection (pièce 1) par le crochet d'autoprotection plat fourni (pièce 2).

Pièce 1



Pièce 2



- d. Insérez le doigt d'autoprotection B aux endroits marqués T6 et T3, ensuite serrez la vis A (Figure 3)
4. Fixez le socle externe de l'appareil au mur.
 5. Faites passer les câbles d'autoprotection dans le socle interne (Figure 4).
 6. Fixez le socle interne au socle externe (bloquez en I1, Figure 2).
 7. Fermez le couvercle (bloquez en C1, Figure 1) après avoir installé les fils électriques et placé les interrupteurs DIP.
 8. Effectuez un test de passage avec le détecteur.

Figure 1

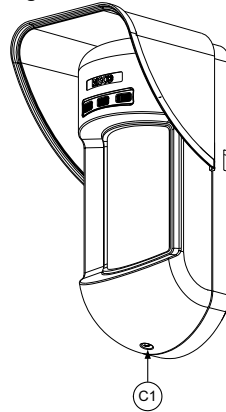


Figure 2

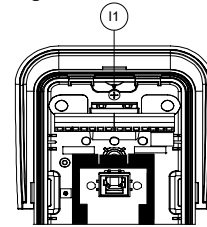


Figure 3

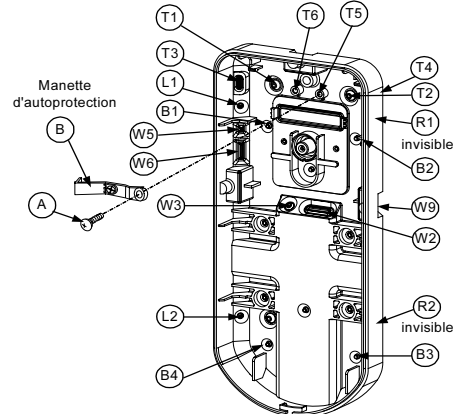
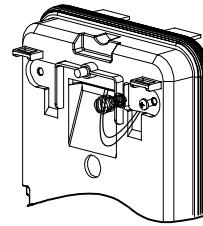


Figure 4



Remarque :
 Pour une installation à 45° sur côté droit, utilisez les pièces équivalentes du socle externe comme suit :

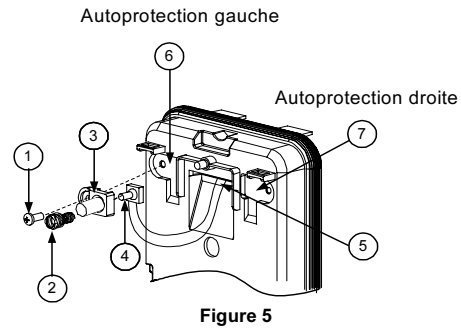
Désignation des pastilles pré-percées	Côté gauche	Côté droit
Pastilles pré-percées pour montage	L1, L2	R1, R2
Pastilles pré-percées du ressort de l'autoprotection	T1, T3	T2, T4
Cheville pour les vis de l'autoprotection	T5	T6

Changement de position de l'autoprotection arrière

L'autoprotection arrière est, par défaut, fixée sur le côté droit du socle interne (vue arrière). Si vous souhaitez la déplacer sur le côté gauche (vue arrière), procédez comme suit (Figure 5):

1. Retirez la vis d'autoprotection 1 pour dégager l'autoprotection de la position 7.
2. Assurez-vous que le ressort de l'autoprotection 2 repose bien sur la base de câblage 4.
3. Vérifiez que le crochet en plastique 3 de l'autoprotection repose bien sur les points 2 et 4.
4. Serrez la vis d'autoprotection 1 dans la pièce 3 en la faisant passer par la position 6.

Figure 5



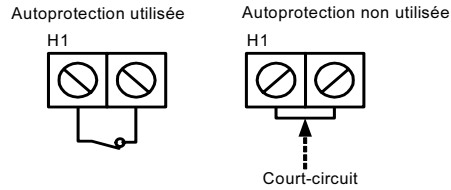
Remarques :
 1. Veillez à entendre un "Clic" en fixant le ressort de l'autoprotection au mur.
 2. Pour l'installation sur un mât, l'autoprotection peut être déplacée vers le côté inférieur droit du socle interne.

Français

Câblage du terminal de l'autoprotection

Si vous souhaitez utiliser l'autoprotection arrière (comme recommandé), retirez le court-circuit de son bloc de connexion et branchez le câble du terminal de l'autoprotection au bloc de connexion.

Back Tamper



Réglage des interrupteurs DIP



Réglage d'usine par défaut

DIP 1 : fonctionnement des diodes LED

Marche (ON) : diodes LED activées.

Arrêt (OFF) : diodes LED désactivées.

DIP 4 : Temps de supervision

Marche (ON) : 65 minutes

Arrêt (OFF) : 15 minutes

DIP 5 : Mode Normal/ Mode Test

Marche (ON) : Normal

Arrêt (OFF) : Test

DIP 6 : Fonctionnement Anti-masque

Marche (ON) : Activé

Arrêt (OFF) : Désactivé

DIP 2-3: sensibilité de détection PIR

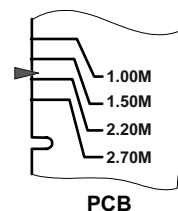
Sensibilité	DIP 2	DIP 3
Faible	Off	Off
Moyenne	Off	On
Normale	On	Off
Maximum	On	On

Test de passage

Deux minutes après la mise sous tension, effectuez un test de passage dans la zone protégée afin de vérifier le bon fonctionnement de l'installation.

En cas d'installation sur des surfaces inégales, faites glisser la carte PCB à l'intérieur du socle interne en effectuant le réglage qui convient à la hauteur souhaitée (1,0m, 1,5m, 2,2m, 2,7m) selon les indications mentionnées sur le coin inférieur droit de la carte PCB ou utilisez l'accessoire pivot fourni.

Pour réduire la portée de détection, faites glisser la carte PCB vers le haut ou inclinez le pivot vers le bas.



Afficheur à diodes LED

LED	Etat	Description
ROUGE	Continu	Indique une ALARME
ROUGE et JAUNE	ROUGE suivi de JAUNE	Indique une ALARME + Anti-masque

Modes opérationnels :

Mode opérationnel	Description
Normal	Temps mort (entre alarmes de détection) : 2 minutes 30.
Test (de passage)	Temps mort (entre alarmes) : 2 secondes 30.
Ecriture	L'appareil transmet un message de programmation chaque fois que les deux interrupteurs d'autoprotection (arrière et couvercle) se ferment pendant au moins 3 secondes.

Remarques :

Après sa mise sous tension, le détecteur se met en mode de test pendant 20 minutes (quelle que soit la position des interrupteurs DIP).

Paramétrage de la liaison Transmetteur/ Récepteur :

Le détecteur doit s'identifier auprès du récepteur du système par la mémorisation de son message codé dans le registre d'adresses de ce dernier. Pour ce faire, veuillez procéder comme suit :

- Réglez le récepteur en Mode Ecriture.
- Retirez l'emballage des piles et installez-les dans le logement prévu à cet effet sur la carte PCB vers la droite (en respectant le schéma de polarité "+" et "-" qui figure sur la carte PCB)
- Envoyez un message de programmation en appuyant simultanément sur les deux interrupteurs d'autoprotection (arrière et couvercle) pendant au moins 3 secondes.
- Vérifiez ensuite que le détecteur a bien été identifié par le récepteur.

ATTENTION !

Tous changements ou modifications apportés à ce matériel sans l'approbation expresse du Groupe RISCO pourrait invalider l'autorisation donnée à l'utilisateur de le faire fonctionner.

Des transmissions simultanées en provenance de différents appareils pourraient provoquer des interférences dans les messages, entraînant ainsi une perte de l'information.

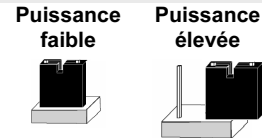
La qualité de la communication assurée par cet appareil peut être affectée par son environnement. La présence d'autres appareils électriques à proximité pourrait en perturber le bon fonctionnement. Celui-ci doit par conséquent être testé à chaque installation étant donné que la qualité de transmission de l'appareil dépend des conditions auxquelles il est soumis.

REMARQUE :

Pour permettre les indications LED, l'interrupteur DIP 1 doit se trouver en position ON (sans tenir compte des 20 premières minutes suivant la mise sous tension).

Cavalière puissance élevée / faible

Le cavalier placé sur le sélecteur J8 doit se trouver en position élevée puissance à moins d'être vendu dans les pays soumis à la conformité FCC.



Installation de l'accessoire support orientable

Le détecteur extérieur est livré avec un support orientable standard permettant une installation flexible. Pour intégrer ce dernier à l'installation du détecteur, veuillez suivre les instructions ci-dessous :

1. Ouvrez le couvercle du WatchOUT (débloquez en C1, Figure 1).
2. Dégagez le socle interne (débloquez en I1, Figure 2).
3. Retirez l'autoprotection arrière du socle interne (cf. § "Changement de position de l'autoprotection arrière") et reliez-la au point S5 (Figure 6, Détail A) sur le support standard.
4. Choisissez le mode de montage comme suit :

Remarque :

Assurez-vous de voir la marque **UP** gravée sur la face supérieure du support.

Installation murale

1. Introduisez les fils électriques de l'autoprotection arrière à dans le passage du support prévu à cet effet (Figure 6, Détail B).
2. Fixez le support orientable au mur en passant par les entrées S1, S3, S6 et S8.

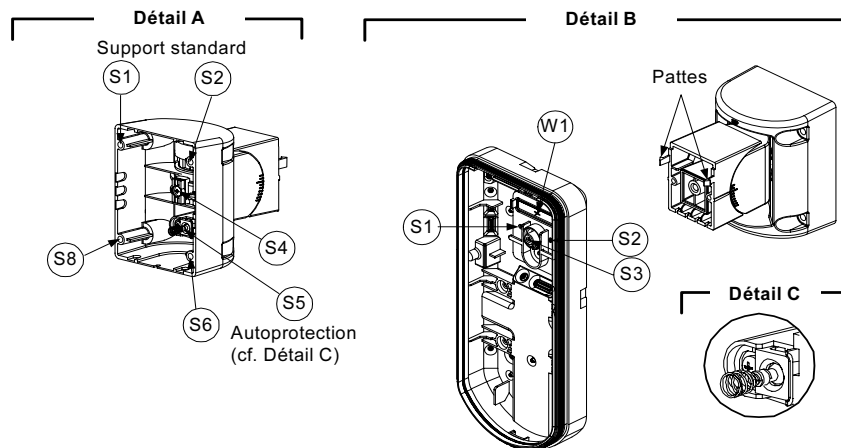


Figure 6

3. Fixez le socle externe au support orientable à l'aide des pressions prévues (Figure 8).

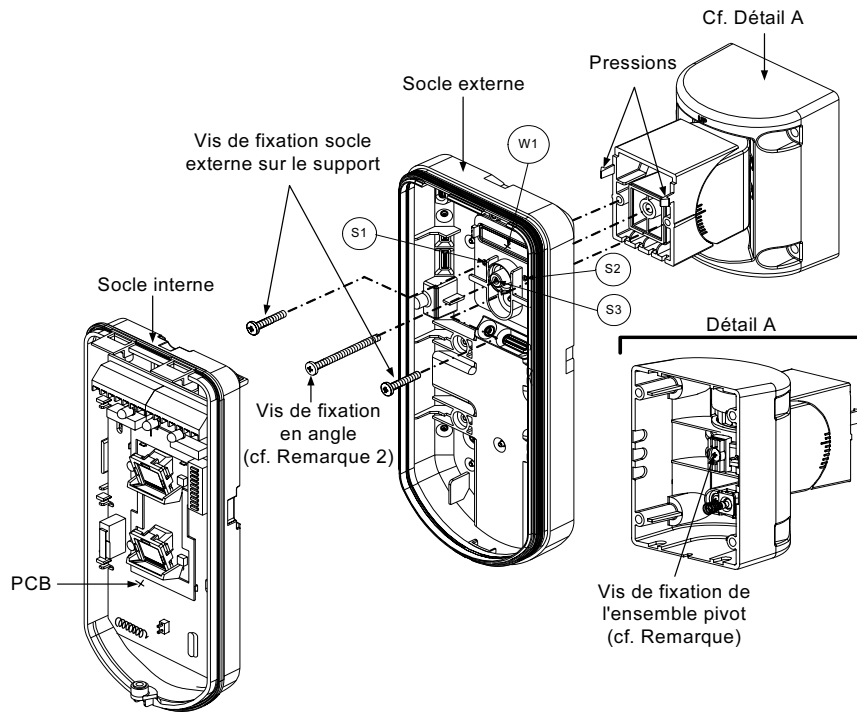


Figure 7

REMARQUE :

Ne pas serrer ou desserrer la vis de connexion du support car elle sert seulement à assembler les pièces du support orientable (serrage seulement en usine).

4. Fixez le socle externe au pivot à l'aide de deux vis passant par les pastilles pré-perçées S1 et S2 (Figure 7).
5. Introduisez la vis de fixation d'angle fournie en partant du socle externe et en passant par la pastille pré-perçée S3 de la vis de fixation d'angle située sur le socle externe, pour atteindre le support standard (Figure 7).
6. Inclinez et faites tourner le pivot standard jusqu'à obtenir la position que vous souhaitez lui donner. Dès cette position obtenue, serrez la vis de fixation d'angle.
7. Alignez le socle interne avec le socle externe. Insérez les fils électriques de l'autoprotection par le socle interne.
8. Fixez le socle interne au socle externe (bloquez en I1, Figure 2).
9. Pour rajuster le pivot standard lorsque la carte PCB est installée (Figure 8) :
 - a. Abaissez la mousse noire qui se trouve en dessous de la diode ROUGE sur la carte PCB (suffisamment pour atteindre la vis de fixation du support orientable).
 - b. A l'aide d'un tournevis hexagonal, desserrez la vis de fixation (cf. Figure 8).
 - c. Inclinez et/ ou faites tourner le support standard jusqu'à obtenir la position voulue.
 - d. Serrez la vis de fixation d'angle.

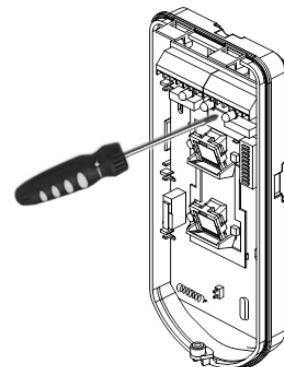


Figure 8: PCB

REMARQUE :

Lorsque les marques indiquées sur les pièces mobiles sont bien alignées (Figure 7), le support standard se trouve à 0° en position verticale/ horizontale. Chaque cran à partir de cette position correspond à une inclinaison de 5° dans la position verticale / horizontale.

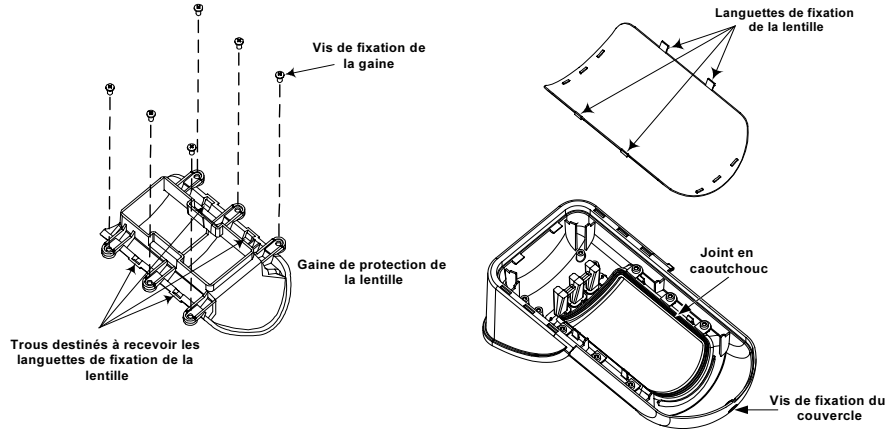
10. Refermez le couvercle (bloquez en C1, figure 1) et effectuez un test de passage avec le détecteur.

REMARQUE :

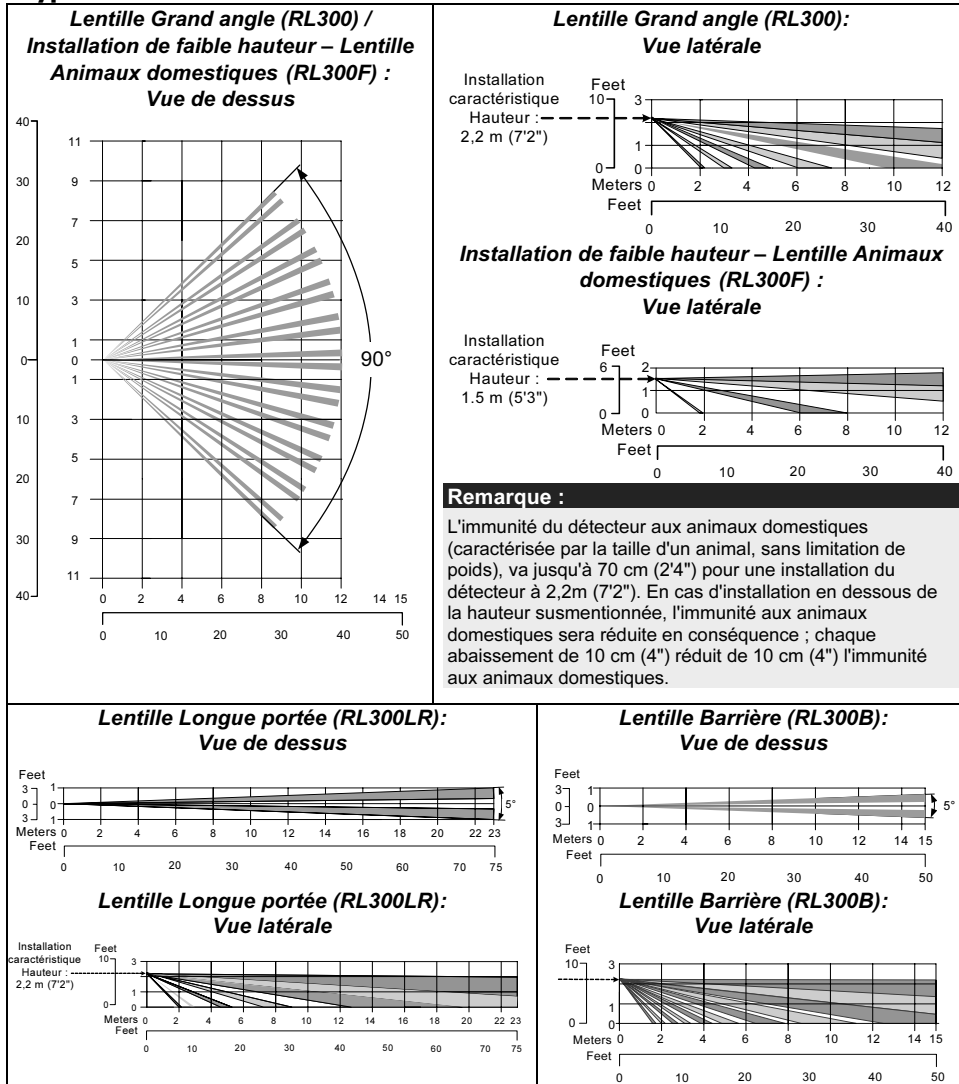
La vis doit traverser le socle externe pour finalement se fixer au pivot.

Remplacement des lentilles

1. Desserrez les six vis qui fixent la gaine de maintien de la lentille à l'envers du couvercle.
2. Pour enlever cette gaine de protection, poussez délicatement la lentille depuis l'extérieur du couvercle.
3. Séparez la lentille de la gaine en poussant délicatement les crochets qui la retiennent à celle-ci.
4. Remplacez la lentille. Placez les 4 languettes de fixation de la lentille dans les trous correspondants de la gaine.
5. Réinsérez la gaine de protection à sa place sur le couvercle. Veillez à ce qu'elle couvre le joint en caoutchouc.
6. Remplacez et resserrez les 6 vis de fixation.



Types de lentilles



Spécifications techniques

Caractéristiques électriques	
Consommation électrique (en veille)	35uA à 3 VCC (en moyenne)
Consommation électrique (en transmission d'alarme)	43mA à 3 VCC (max. avec diodes LED éteintes) 53mA à 3 VCC (max. avec diodes LED allumées)
Temps mort (mode normal)	2 minutes 30
Type de modulation	ASK
Durée de vie des piles	3 ans (en mode normal)
Transmission de supervision	Toutes les 15/65 minutes.
Codes d'adresses	16 Millions
Portée (perte)	300m (1000 ft.)
Conditions de tension requises	Piles Lithium CR123A 2 X 3VCC
Fréquence	RWT312PR8000A 868.65MHz RWT312PR4000A 433.995MHz
Caractéristiques physiques	
Dimensions L x l x P	230 x 121 x 123mm (9 x 4.76 x 4.85 in.)
Caractéristiques environnementales	
Température de fonctionnement/ stockage	De -30°C à 60°C (-22°F à 140°F)
Immunité RF	20V/m (80MHz à 2GHz)

* Ces spécifications sont susceptibles d'être modifiées sans avis préalable.

Information Catalogue

Référence	Description
RWT312PR800A	WatchOUT sans fil PIR 868 + pivot
RWT312PR400A	WatchOUT sans fil PIR 433 + pivot
Remarque : le détecteur comprend un support standard et 3 lentilles de remplacement (réf. P/N gravée sur la lentille) Installation à faible hauteur 1,7m - Lentille pour immunité aux Animaux domestiques (RL300F), Longue portée (RL300R) et Lentille Barrière (RL300B).	

Sets d'accessoires

Référence	Description	Poids
RA300B00000A	Set rotule Barrière	0,1 Kg (023 lb)
RA300P00000A	Set adaptateur pour mât WatchOUT	0,25 Kg (0.55 lb)
RA300HS0000A	Boîtier Démo WatchOUT	NA

Índice

Instalação	52
Introdução	52
Montagem	52
Considerações de Montagem	52
Instalação de Montagem em Parede	54
Montagem Plana:	54
Montagem em ângulo de 45° (montagem do lado esquerdo).....	54
Trocando a posição do tamper posterior.....	55
Fiação do Terminal do Tamper Posterior	55
Configuração do Interruptor Dip	55
Prova de Movimento.....	56
Visualização dos LEDs	56
Modos Operacionais:	56
Configuração da Conexão de Comunicação do Transmissor /Receptor:	56
Ponte de Energía Alta / Baja	56
Instalação do Suporte Rotativo Estandarte	57
Montagem em Parede.....	57
Trocando as Lentes	59
Tipos de Lentes	60
Especificações Técnicas	61
Informação para Pedidos	61
Estojes de Acessórios	61

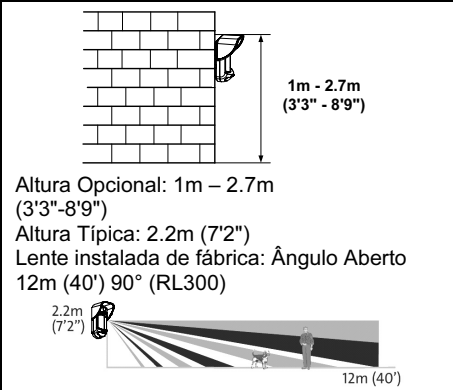
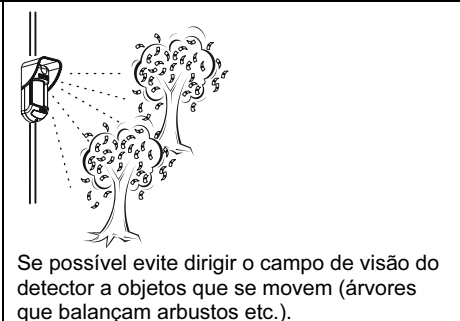
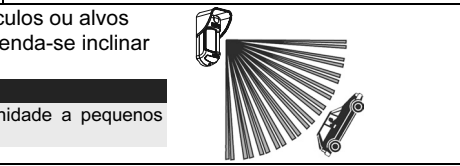
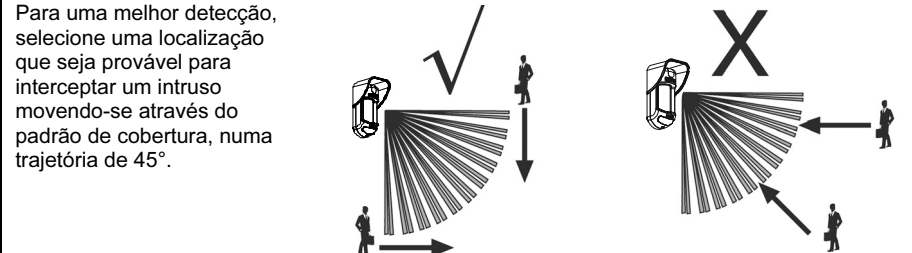
Introdução

O Detector de Infravermelho Passivo Externo Sem Fio do RISCO Group, WatchOUT Sem Fio, é um detector único com processamento de sinal baseado em dois canais correlacionados de infravermelho passivos (PIR). O detector pode comunicar-se com o painel de controle ProSYS do RISCO Group ou com outros receptores sem fio do RISCO Group.

As instruções que seguem descrevem a instalação do WatchOUT Sem Fio. Para informação detalhada com respeito à instalação, refira-se às instruções de instalação do relativo receptor.

Montagem

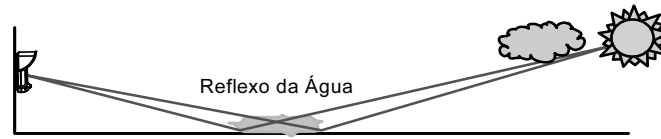
Considerações de Montagem

 <p>Altura Opcional: 1m – 2.7m (3'3"-8'9") Altura Típica: 2.2m (7'2") Lente instalada de fábrica: Ângulo Aberto 12m (40') 90° (RL300)</p> <p>Nota: Para instalações baixas, inferiores a 1.7m (5'6") nas quais a imunidade a pequenos animais é requerida, use as lentes fornecidas RL300F (instalações em paredes baixas ou em cercas). A imunidade do detector a pequenos animais (altura de um animal, sem limite de peso), é de até 70 cm (2'4"), quando o detector está instalado a 2.2m (7'2"). Se a instalação for inferior à altura mencionada acima, a imunidade aos pequenos animais diminui; cada 10 cm (4") a menos na altura de instalação equivalem a menos 10 cm (4") de imunidade de altura de pequenos animais.</p>	 <p>Se possível evite dirigir o campo de visão do detector a objetos que se movem (árvores que balançam arbustos etc.).</p>
<p>Para instalações com tráfego intenso de veículos ou alvos fora do alcance requerido de detecção, recomenda-se inclinar o detector para baixo.</p> <p>Nota: Incliná-lo para baixo pode reduzir a imunidade a pequenos animais.</p>	 <p>Mantenha uma distância de no mínimo 5 metros (16") de objetos móveis</p> <p>Fora da Área de Detecção</p> <p>Certifique-se que nenhum objeto obstrui o campo de detecção. Preste atenção às árvores ou aos arbustos em crescimento, às plantas com folhas grandes que se movem etc.</p>
<p>Para uma melhor detecção, selecione uma localização que seja provável para interceptar um intruso movendo-se através do padrão de cobertura, numa trajetória de 45°.</p> 	

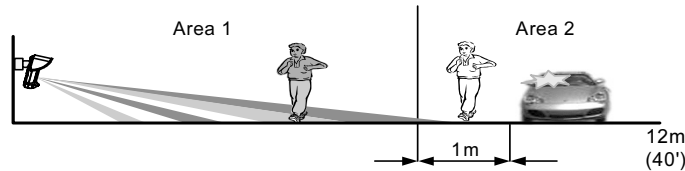
Instalando o WatchOUT Sem Fio em situações desafiantes

Nas seguintes situações, as mudanças rápidas e significativas da radiação infravermelha podem acontecer em ambos os canais PIR simultaneamente, resultando em falsos alarmes, então deve se tomar cuidado em:

1. Situações nas quais objetos de metal e/ou de vidro que têm mais de 70 cm (2'4") de altura desde o solo se encontram no campo de visão do detector (carros, portas de metal, persianas, paredes de metal, janelas, etc.)
2. Situações nas quais uma superfície refletiva no solo com mais de 1m (3'4") de diâmetro pode causar reflexos na lente do detector. Exemplos de uma superfície refletiva no solo são uma poça, um caminho ou estacionamento de carros molhado, uma superfície lisa de concreto ou de asfalto, uma piscina, etc.



Para evitar falsos alarmes nas situações anteriores:



Reduza o alcance de detecção a 1m a menos que a distância do objeto de metal/vidro ou de possíveis reflexos da superfície do solo, como segue:

1. Instale o WatchOUT Sem Fio nos ganchos do Suporte Padrão Rotativo fornecido.
2. Reduza o alcance de detecção deslizando para cima o PCB do WatchOUT Sem fio dentro da caixa do detector, e/ou inclinando o detector para baixo no suporte rotativo.
3. Para reduzir o ângulo de inclinação requerido, recomenda-se instalar o detector a uma altura de montagem mais baixa e utilizar a lente de imunização para pequenos animais para instalações baixas.
4. Confirme fazendo a prova de caminhada que o WatchOUT Sem fio PIR detecta na área 1, e que não ocorre nenhuma detecção ao caminhar na área 2.

NOTAS:

1. Observe por favor que **qualquer** detector PIR externo requererá redução no alcance a uma distância mais curta que o carro, o objeto de metal ou o reflexo da superfície (de modo que estes objetos não sejam protegidos) para eliminar falsos alarmes.
2. Para uma cobertura completa de 15m (50') nas situações mencionadas anteriormente, recomenda-se instalar o WatchOUT DT, o único detector externo com 2 canais PIR e 2 canais de microondas.
3. Os detectores WatchOUT Sem fio incluem filtros de silicone de alta qualidade nos sensores PIR para bloquear interferências leves brancas. Estes filtros não são projetados para bloquear radiação térmica infravermelha.

Instalação de Montagem em Parede

Nota:

A numeração dos furos pré-marcados para a instalação está marcada na placa traseira.

1. Abra a tampa dianteira do WatchOUT Sem Fio. (abra C1, Figura 1).
2. Libere a base interna (abra I1, Figura 2).
3. Selecione a instalação de montagem como segue:

Montagem Plana:

Abra os furos pré-marcados na base externa (Figura 3).

- B1 - B4: Furos pré-marcados para montagem em parede
- T1: Furo pré-marcado do tamper posterior

Montagem em ângulo de 45° (montagem do lado esquerdo):

- a. Abra os furos pré-marcados na base externa (Figura 3)
 - L1, L2: Furos pré-marcados para montagem do lado esquerdo
 - T3: Furo pré-marcado do tamper esquerdo
- b. Remova a mola do tamper (Figura 4).
- c. Substitua a braçadeira do tamper (Item 1) pela fornecida braçadeira plana do tamper (Item 2).

Item 1



Item 2



- d. Insira a alavanca B do tamper no T6 e T3 e aperte o parafuso A (figura 3)
4. Assegure a base externa à parede.
 5. Insira os cabos do tamper através da base interna (Figura 4).
 6. Assegure a base interna à base externa (Feche I1, Figura 2).
 7. Feche a tampa dianteira (Feche C1, Figura 1) depois de conectar a fiação e configurar os interruptores Dip.
 8. Faça a prova de movimento do detector.

Figura 1

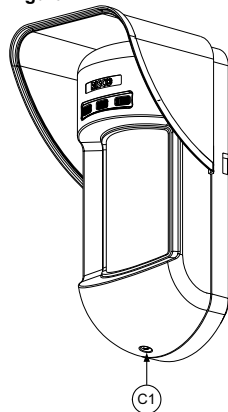


Figura 2

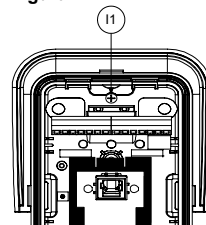


Figura 3

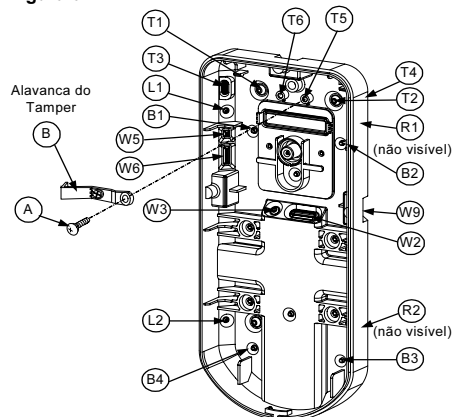
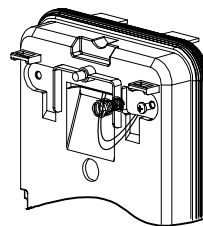


Figura 4



Nota:

Para instalação do lado direito a 45° use as unidades equivalentes na base externa como segue

Descrição	Lado Esquerdo	Lado Direito
Furos pré-marcados de montagem	L1, L2	R1, R2
Furos pré-marcados da mola do tamper	T1, T3	T2, T4
Bucha do parafuso do tamper	T5	T6

Trocando a posição do tamper Traseiro

O tamper traseiro está fixado (Configuração de fábrica) no lado direito da base interna (vista traseira). Se você deseja passá-lo para o lado esquerdo (vista traseira), faça o seguinte (Figura 5):

1. Retire o parafuso 1 do tamper para liberar o tamper da posição 7.
2. Certifique-se que a mola (2) do tamper está assentada sobre a base do cabo do tamper 4.
3. Certifique-se que a braçadeira plástica do tamper (3) está assentada no 2 e 4.
4. Assegure o parafuso do tamper (1) no (3) sobre a posição 6.

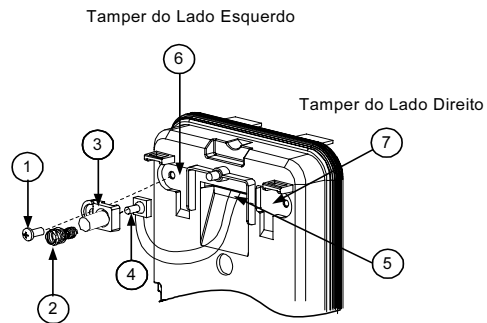


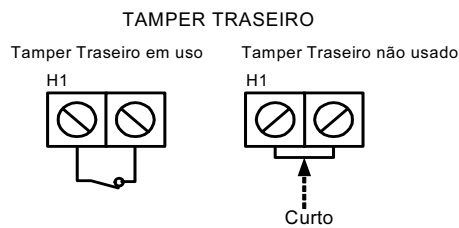
Figure 5

Notas:

1. Certifique-se de escutar um "clique" ao fixar a mola do tamper à parede
2. Para instalação em poste, o tamper pode ser passado para a parte inferior do lado direito da base interna.

Fiação do Terminal do Tamper traseiro

Se desejar utilizar o tamper traseiro (recomendado) retire o curto-circuito do bloco de terminais do tamper e conecte o cabo do tamper posterior ao bloco de terminais do tamper posterior.



Configuração do Interruptor Dip



Predeterminado na Fábrica

DIP 1: Operação dos LEDs

- On:** LEDs ativados
- Off:** LEDs desativados

DIP 2-3: Sensibilidade de Detecção PIR

Sensibilidade	DIP2	DIP3
Baixa	Off	Off
Média	Off	On
Normal	On	Off
Máxima	On	On

DIP 4: Tempo de supervisão

- On:** 65 minutos
- Off:** 15 minutos

DIP 5: Modalidades Normal/Teste

- On:** Normal
- Off:** Teste

DIP 6: Operação anti-máscara

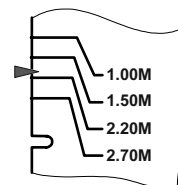
- On:** Ativada
- Off:** Desativada

Portuguese

Teste de Caminhada

Dois minutos depois de ligar a energia elétrica, faça o teste de Caminhada na área protegida para verificar a operação apropriada. Para instalação em superfícies desniveladas, deslize o PCB dentro da base interna até a regulagem apropriada segundo a altura desejada (1.0m, 1.5m, 2.2m, 2.7m) como impresso na parte inferior esquerda do PCB ou use o acessório de suporte rotativo padrão.

Para reduzir o alcance de detecção, deslize o PCB para cima ou incline o suporte rotativo para baixo.



PCB

Visualização dos LEDs

LED	Estado	Descrição
VERMELHO	Constante	Indica ALARME
VERMELHO & AMARELO	VERMELHO seguido por AMARELO	Indica ALARME + Anti-Mascaramento

Modos Operacionais:

Modo Operacional	Descrição
Normal	O tempo morto (entre alarmes de detecção) é de 2.5 minutos.
Teste (walktest)	O tempo morto (entre alarmes) é de 2.5 sec.
Escrever	A unidade transmite uma mensagem WRITE a cada vez que ambos os interruptores do Tamper (posterior e tampa) estão fechados durante pelo menos 3 segundos.

Notas:

Depois de ativado o detector entra no modo de teste por um período de 20 minutos (não levando em conta a Posição dos Modos do interruptor DIP).

Configuração da Conexão de Comunicação do Transmissor /Receptor:

O detector deve se identificar ao receptor do sistema, escrevendo sua mensagem codificada na memória de endereços do receptor. Isto se obtém executando-se os seguintes passos:

1. Passe o receptor para o Modo Write.
2. Retire o material isolante das baterias e coloque-as nos suportes das baterias no PCB na direção correta (atenção ao diagrama "+" e "-" no PCB).
3. Envie uma mensagem WRITE pressionando ambos os interruptores do tamper (Traseiro e dianteiro) durante pelo menos 3 segundos.
4. Verifique se o transmissor foi identificado pelo receptor.

AVISO DE PRECAUÇÃO

Alterações ou modificações que não sejam expressamente aprovadas pelo RISCO Group poderão anular a autoridade do usuário de operar o equipamento.

Transmissões simultâneas de duas unidades distintas podem causar interferência de mensagem resultando em perda de informação.

A qualidade de comunicação desta unidade pode ser afetada pelo ambiente circunvizinho.

Equipamentos elétricos próximos podem interferir em sua operação normal.

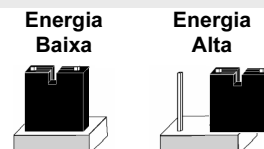
A operação desta unidade deve, portanto, ser testada em cada instalação visto que sua qualidade de transmissão pode variar como resultado das condições operacionais.

NOTA:

O interruptor DIP 1 deve estar na posição ON para habilitar as indicações do LED sem ser levado em consideração durante os primeiros 20 minutos depois de ativado.

Jumper de Energia Alta / Baixa

O jumper J8 do seletor deve estar na posição Energia Alta a menos que vendido em países que cumprem com a FCC.



Instalação do Suporte Rotativo Padrão

O pacote do detector externo contém um suporte rotativo padrão para uma instalação flexível. Por favor, siga as instruções abaixo para montar o detector com o Suporte Rotativo Padrão:

1. Abra a tampa dianteira do WatchOUT Sem Fio. (Abra C1, Figura 1).
2. Libere a base interna (Abra I1, Figura 2).
3. Remova o tamper traseiro da base interna. (Ver o parágrafo "Trocando a Posição do Tamper Posterior") e conecte-o ao S5 (Figura 6, Detalhe A) no Suporte Rotativo Padrão.
4. Selecione a instalação de montagem como segue:

Nota:

Certifique-se que você vê a marca gravada **UP** na parte superior da parte frontal do suporte rotativo.

Montagem em Parede

1. Insira os cabos do tamper posterior através do Conduíte de Cabos do Suporte Rotativo (Figura 6, Detalhe B).
2. Fixe o suporte rotativo à parede através dos furos S1, S3, S6 e S8.

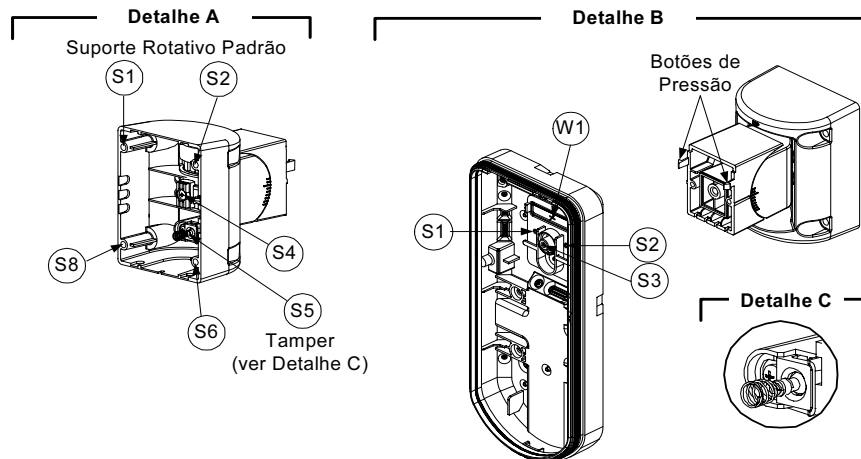


Figura 6

3. Conecte a base externa ao suporte rotativo usando os botões de pressão apropriados (Figura 8).

Portuguese

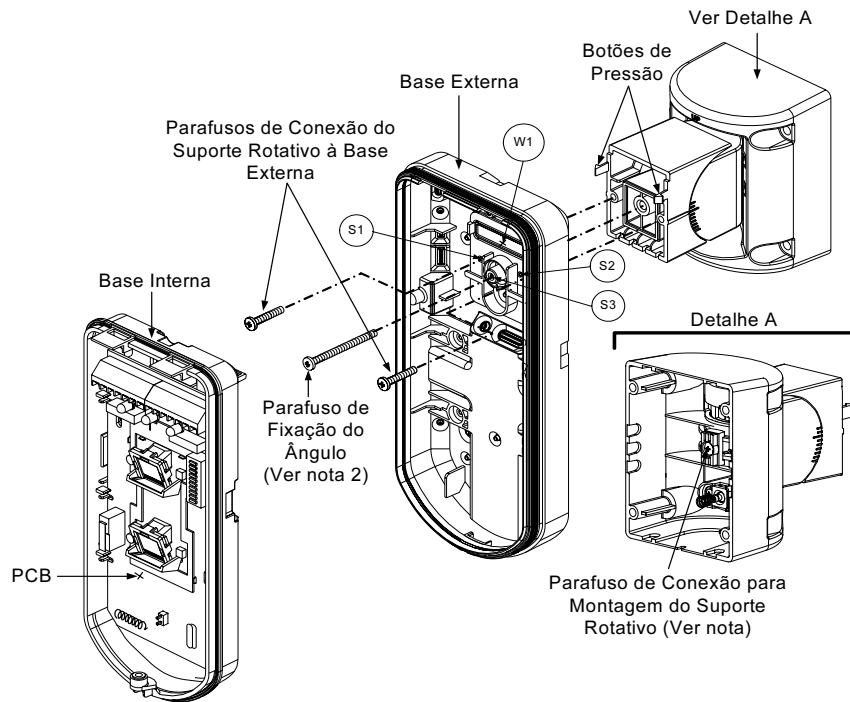


Figura 7

NOTA:

Não abra ou feche o Parafuso de Montagem do Suporte Rotativo, visto que é usado apenas para conectar partes do suporte rotativo (Ajustado na fábrica).

4. Fixe a base externa ao suporte rotativo com 2 parafusos presos através dos furos pré-marcados S1 e S2 (Figura 7).
5. Insira o parafuso de fixação do ângulo da base externa (Incluso) através do furo pré-marcado do parafuso de fixação do ângulo S3 na base interna ao suporte rotativo padrão (Figura 7).
6. Incline e gire o Suporte Rotativo Padrão à posição desejada. Quando o Suporte Rotativo Padrão estiver na posição desejada, fixe o parafuso de fixação do ângulo.
7. Alinhe a base interna com a base externa. Insira toda a fiação do tampo através da base interna.
8. Fixe a base interna na base externa (Feche I1, Figura 2).
9. Para reajustar o Suporte Rotativo Padrão quando o PCB está instalado (Figura 8):
 - a. Dobre para baixo a espuma negra localizada debaixo do LED VERMELHO no PCB (o suficiente para alcançar o parafuso de fixação do Suporte Rotativo).
 - b. Use uma chave de fenda Philips para soltar o parafuso de fixação (ver Figura 8).
 - c. Incline e/ou gire o Suporte Rotativo Padrão para a posição desejada.
10. Fixe o parafuso de fixação do ângulo.

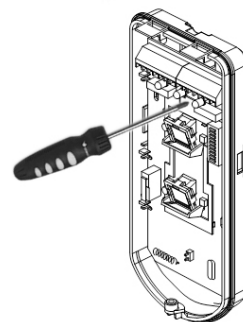


Figura 8: PCB

NOTA:

Quando as marcas nas duas partes móveis estão alinhadas (Figura 7), o Suporte Rotativo Padrão está na posição vertical / horizontal de 0°. Cada clique a partir desta posição representa um desvio de 5° na posição vertical / horizontal.

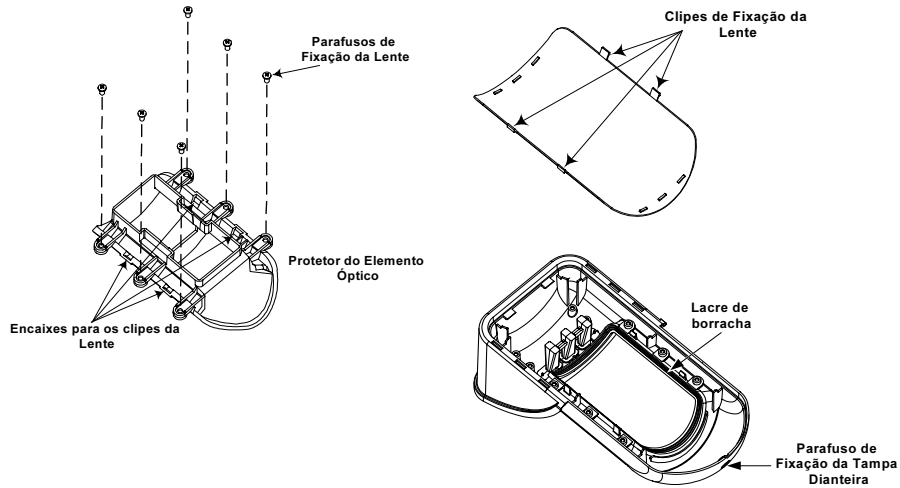
11. Feche a tampa dianteira (Feche C1, Figura 1) e faça o Teste de Caminhada no detector.

NOTA:

O parafuso tem que passar através da Base Externa e ser apertado ao suporte rotativo.

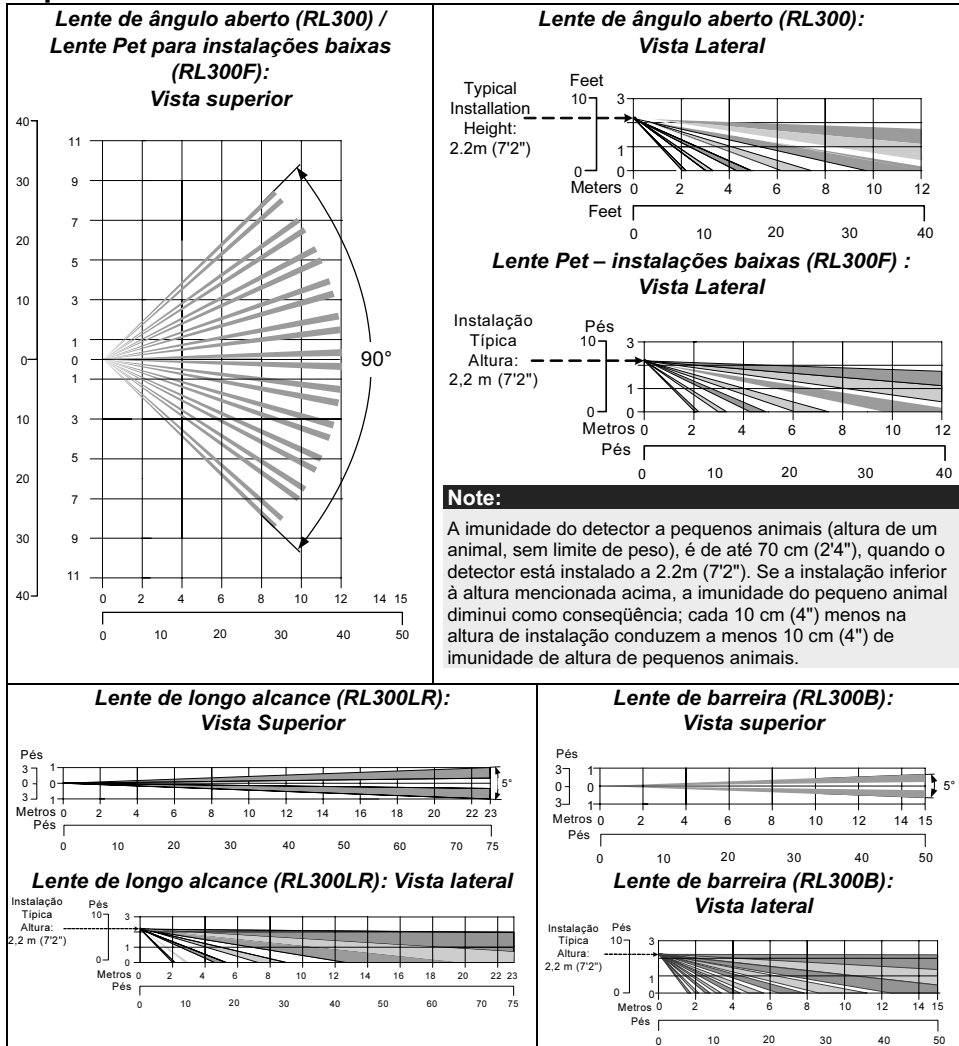
Trocando as Lentes

1. Abra os seis parafusos que seguram a proteção do elemento óptico e a lente na parte de traz da tampa dianteira.
2. Para liberar a proteção do elemento óptico, empurre suavemente a lente do lado externo para o interno da tampa dianteira.
3. Desconecte a lente do protetor de elemento óptico empurrando suavemente os cliques da lente que a prendem ao protetor de elemento óptico.
4. Substitua a lente. Coloque os 4 cliques da lente nos furos apropriados do protetor de elemento óptico.
5. Coloque o protetor de elemento óptico novamente em seu lugar na tampa dianteira. Preste atenção para colocar o protetor do elemento óptico sobre o lacre de borracha.
6. Fixe os 6 parafusos de apoio novamente em seu lugar.



Portuguese

Tipos de Lentes



Especificações Técnicas

Elétrica	
Consumo de corrente (em Stand by)	35uA @ 3 VDC (em média)
Consumo de corrente (transmissão de alarme)	43mA a 3 VDC (Max. com LED OFF) 53mA a 3 VDC (Max. com LED ON)
Tempo morto (Modo Normal)	2.5 minutos
Tipo de modulação	ASK
Duração da bateria	3 anos (Modo Normal)
Transmissão de Supervisão	A cada 15/65 minutos.
Códigos de endereço	16 Milhões
Alcance (perda)	300m (1000 pés)
Requisitos de voltagem	CR123A 2 X 3VDC Baterias de Lítio
Frequência	RWT312PR8000A 868.65MHz RWT312PR4000A 433.995MHz
Física	
Tamanho (LxAxP)	230 x 121 x 123mm (9 x 4.76 x 4.85 pol.)
Ambiental	
Temperatura de Operação / Armazenamento	-30°C a 60°C (-22°F a 140°F)
Imunidade a RF	20V/m (80MHz a 2GHz)

* As especificações estão sujeitas a modificações sem aviso prévio.

Informação para Pedidos

Códigos para pedidos	Descrição
RWT312PR800A	WatchOUT Sem Fio PIR 868 + suporte rotativo
RWT312PR400A	WatchOUT Sem Fio PIR 433 + suporte rotativo

Nota: A embalagem do detector contém um suporte rotativo padrão e 3 lentes de substituição (P/N gravado na lente): instalação baixa 1.7m para pequenos animais (RL300F), longo alcance (RL300R) e lentes de barreira (RL300B).

Kits de acessórios

Parte Número	Descrição	Peso
RA300B00000A	Suporte rotativo de barreira	0.1 kg (0.23 lb)
RA300P00000A	Adaptador de Poste para o WatchOUT	0.25 kg (0.55 lb)
RA300HS0000A	Demonstrador do WatchOUT	NA

Portuguese

FCC Note

This equipment has been tested and found to comply with the limits for a Class B digital device, pursuant to part 15 of the FCC Rules.

These limits are designed to provide reasonable protection against harmful interference in a residential installation. This equipment generates uses and can radiate radio frequency energy and, if not installed and used in accordance with the instructions, may cause harmful interference to radio communications. However, there is no guarantee that interference will not occur in a particular installation. If this equipment does cause harmful interference to radio or television reception, which can be determined by turning the equipment on and off, the user is encouraged to try to correct the interference by one or more of the following measures:

- ✦ Reorient or relocate the receiving antenna.
- ✦ Increase the separation between the equipment and the receiver.
- ✦ Connect the equipment into an outlet on to a different circuit from that to which the receiver is connected.
- ✦ Consult the dealer or an experienced radio/TV technician for help.

Changes or modifications to this equipment which are not expressly approved by the party responsible for compliance (RISCO Group's.) could void the user's authority to operate the equipment.

FCC ID: JE4RWT312PR4 Valid for P/N RWT312PR400A

IC: 6564-RWT312PR

RTTE Compliance Statement

Hereby, Risco Group declares that this equipment is in compliance with the essential requirements and other relevant provisions of Directive 1999/5/EC



RISCO Group Limited Warranty

Risco Group and its subsidiaries and affiliates ("Seller") warrants its products to be free from defects in materials and workmanship under normal use for 24 months from the date of production. Because Seller does not install or connect the product and because the product may be used in conjunction with products not manufactured by the Seller, Seller cannot guarantee the performance of the security system which uses this product. Seller's obligation and liability under this warranty is expressly limited to repairing and replacing, at Seller's option, within a reasonable time after the date of delivery, any product not meeting the specifications. Seller makes no other warranty, expressed or implied, and makes no warranty of merchantability or of fitness for any particular purpose.

In no case shall seller be liable for any consequential or incidental damages for breach of this or any other warranty, expressed or implied, or upon any other basis of liability whatsoever.

Seller's obligation under this warranty shall not include any transportation charges or costs of installation or any liability for direct, indirect, or consequential damages or delay.

Seller does not represent that its product may not be compromised or circumvented; that the product will prevent any person's injury or property loss by burglary, robbery, fire or otherwise; or that the product will in all cases provide adequate warning or protection. Buyer understands that a properly installed and maintained alarm may only reduce the risk of burglary, robbery or fire without warning, but is not insurance or a guaranty that such will not occur or that there will be no personal injury or property loss as a result.

Consequently, seller shall have no liability for any personal injury, property damage or loss based on a claim that the product fails to give warning. However, if seller is held liable, whether directly or indirectly, for any loss or damage arising from under this limited warranty or otherwise, regardless of cause or origin, seller's maximum liability shall not exceed the purchase price of the product, which shall be complete and exclusive remedy against seller. No employee or representative of Seller is authorized to change this warranty in any way or grant any other warranty.

Contacting RISCO Group

RISCO Group is committed to customer service and product support. You can contact us through our website (www.riscogroup.com) or at the following telephone and fax numbers:

United Kingdom

Tel: +44-161-655-5500
sales@riscogroup.co.uk
technical@riscogroup.co.uk

Italy

Tel: +39-02-66590054
info@riscogroup.it
support@riscogroup.it

Spain

Tel: +34-91-490-2133
sales-es@riscogroup.com
support-es@riscogroup.com

France

Tel: +33-164-73-28-50
sales-fr@riscogroup.com
support-fr@riscogroup.com

Belgium

Tel: +32-2522-7622
sales-be@riscogroup.com
support-be@riscogroup.com

Switzerland

Tel: +41-27-452-24-44
sales-ch@riscogroup.com
support-ch@riscogroup.com

USA

Toll Free: 1-800-344-2025
Tel: +305-592-3820
sales-usa@riscogroup.com
support-usa@riscogroup.com

Brazil

Tel: +55-11-3661-8767
sales-br@riscogroup.com
support-br@riscogroup.com

China

Tel: + 86-21-52390066
sales-cn@riscogroup.com
support-cn@riscogroup.com

Israel

Tel: +972(0)3-963-7777
info@riscogroup.com
support@riscogroup.com

All rights reserved.

No part of this document may be reproduced in any form without prior written permission from the publisher.

