

RISCO

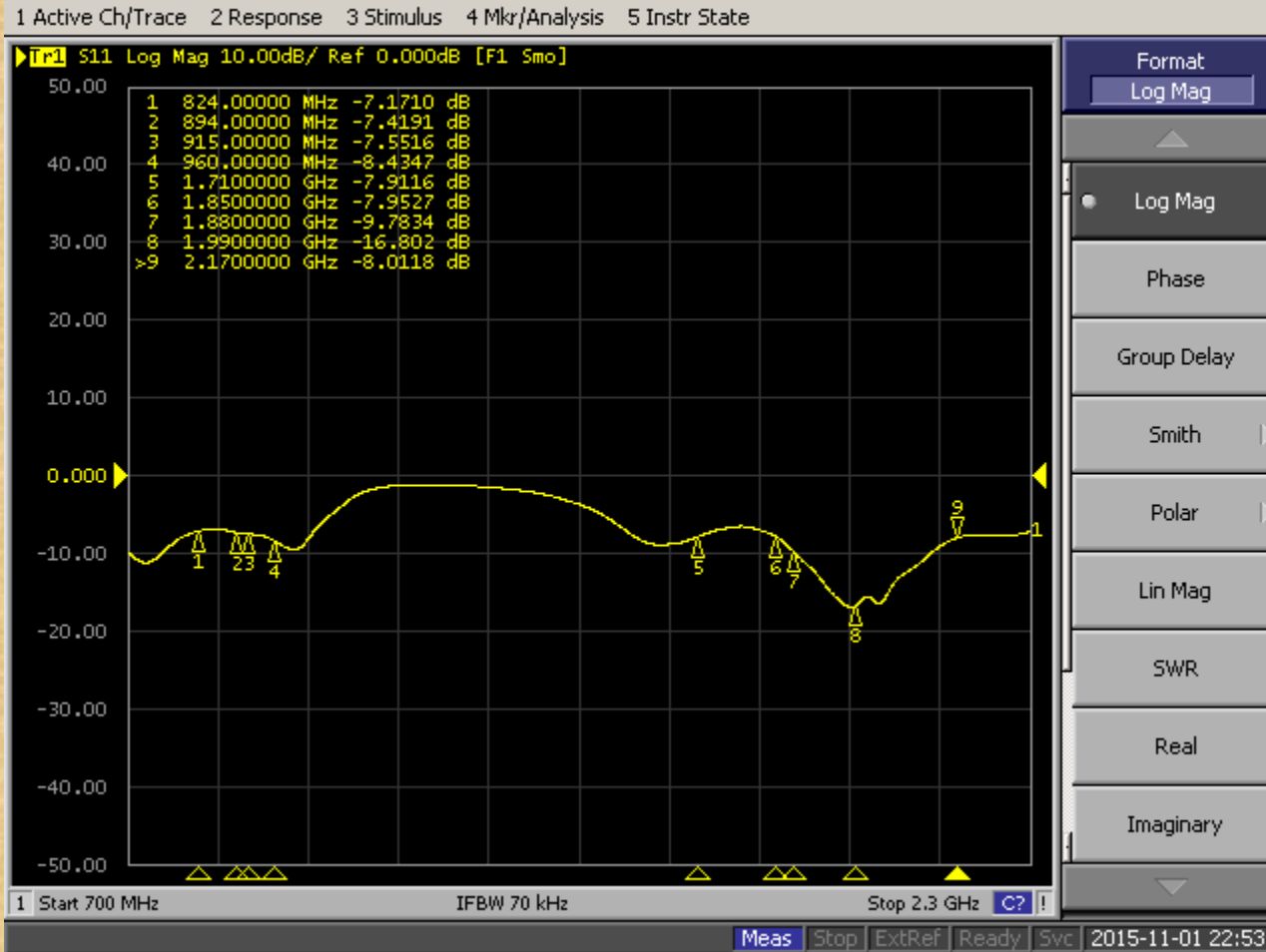
WiComm GSM 5 Band Internal Antenna Specification

Internal 5 Band Printed Antenna Specification

Radio Type	GSM
Radio Band	850/900/1800/1900/2170
Frequency (MHz)	824-960, 1710-2170
Low Band Peak Gain max. (dBi)	+ 1.55
High Band Peak Gain max. (dBi)	+ 4.92
Polarization	LV & LH
Radiation Pattern	Omni Directional
Antenna Type	Monopole Printed Antenna

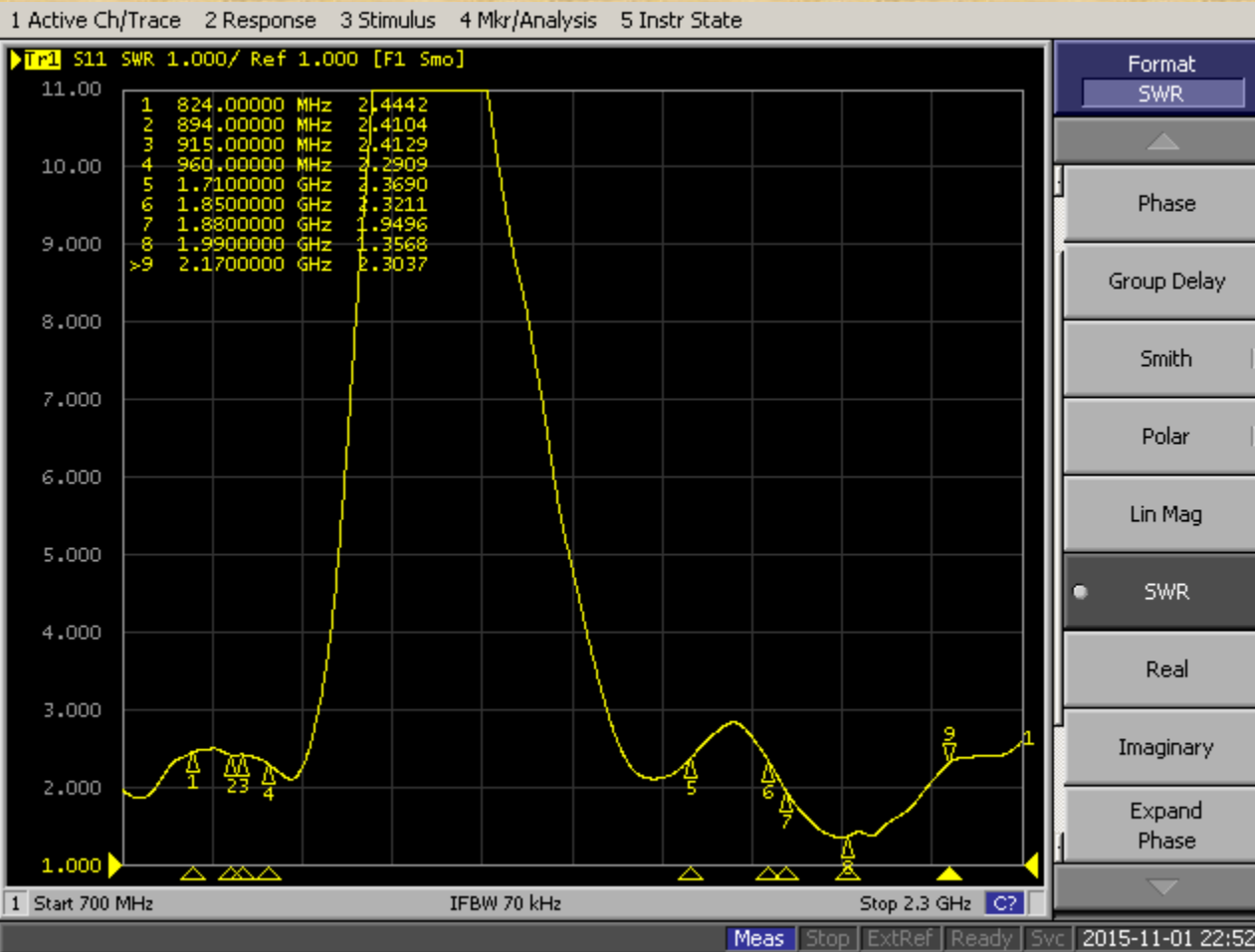
RISCO

GSM Antenna Network Analyzer Measurements Return Loss



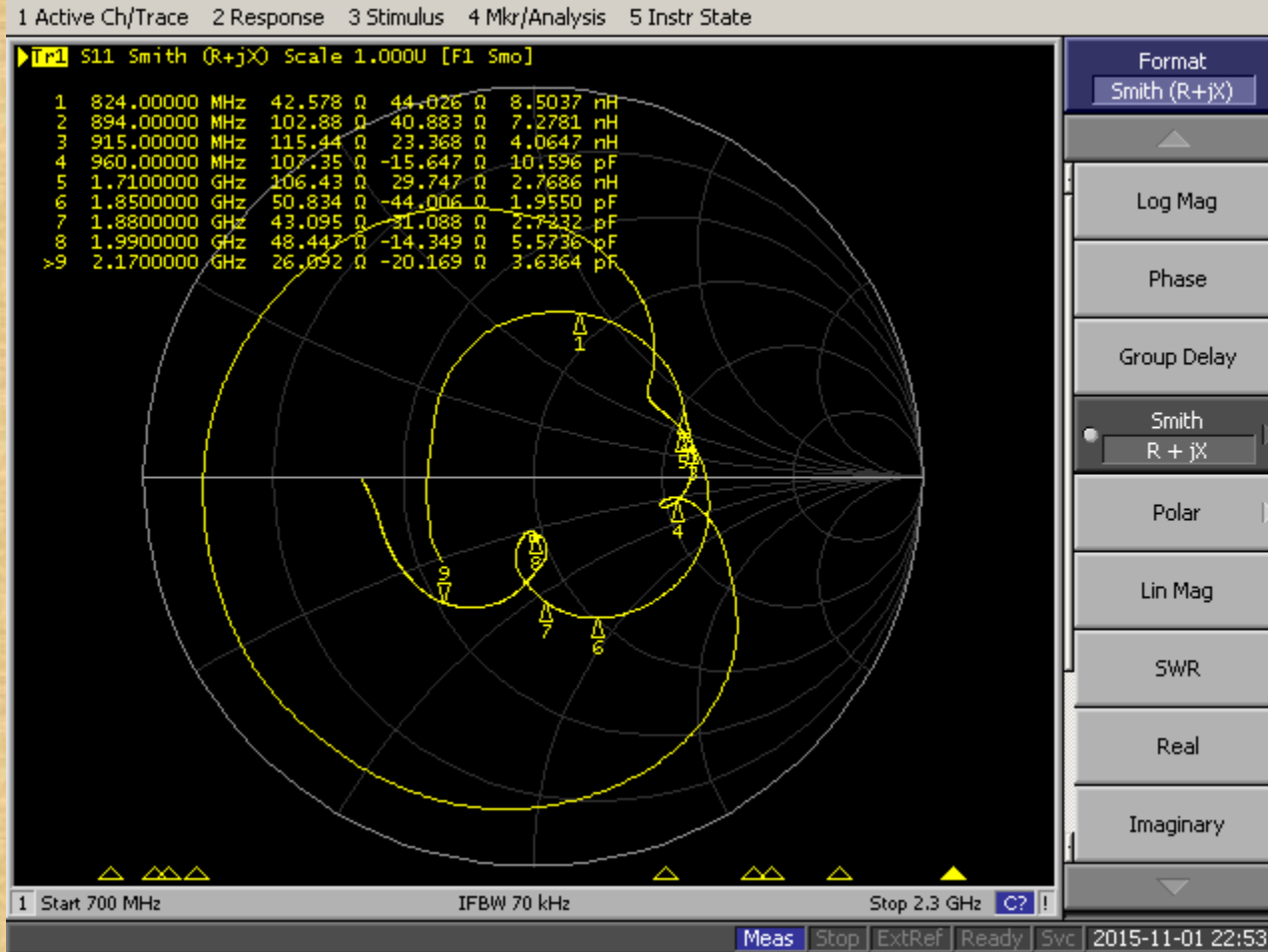
RISCO

GSM Antenna Network Analyzer Measurements VSWR



RISCO

GSM Antenna Network Analyzer Measurements Smith Chart



RISCO

GSM Antenna 3D Chamber Test Results

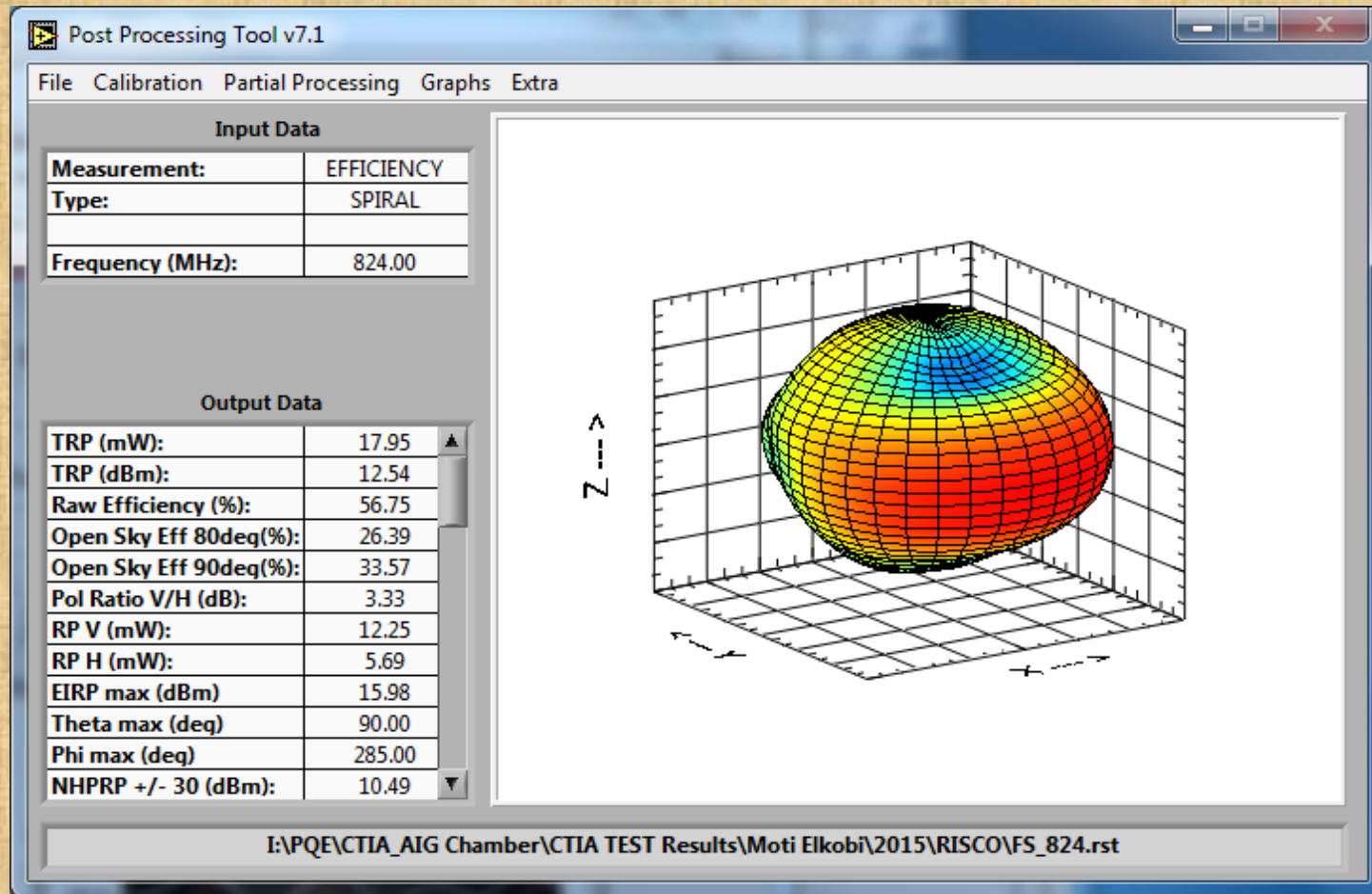
Band Designator	Frequency [MHz]	Ant EFF [%]	Ant EFF [db]	Peak gain [dBi]
AMPS	824	56.75	-2.46	0.98
AMPS	836	62.85	-2.02	0.64
AMPS	849	74.53	-1.28	1.55
AMPS	869	59.76	-2.24	1.42
AMPS	881	53.09	-2.75	1.03
AMPS	894	31.70	-4.99	0.71
GSM	915	49.99	-3.01	1.86
GSM	925	42.67	-3.70	1.64
GSM	943	34.81	-4.58	1.09
GSM	960	45.17	-3.45	2.02
DCS	1710	74.95	-1.25	4.15
DCS	1748	79.36	-1.00	4.67
DCS	1785	71.17	-1.48	4.15
DCS	1805	75.21	-1.24	4.41
DCS	1843	75.63	-1.21	4.29
PCS	1850	77.48	-1.11	4.45
PCS	1880	79.06	-1.02	4.23
PCS	1910	86.29	-0.64	4.92
PCS	1930	86.95	-0.61	4.86
PCS	1960	92.38	-0.34	4.97
PCS	1990	89.01	-0.51	4.66
UMTS	2110	85.05	-0.70	4.43
UMTS	2140	81.55	-0.89	4.00
UMTS	2170	80.07	-0.97	3.83

FCC

FCC

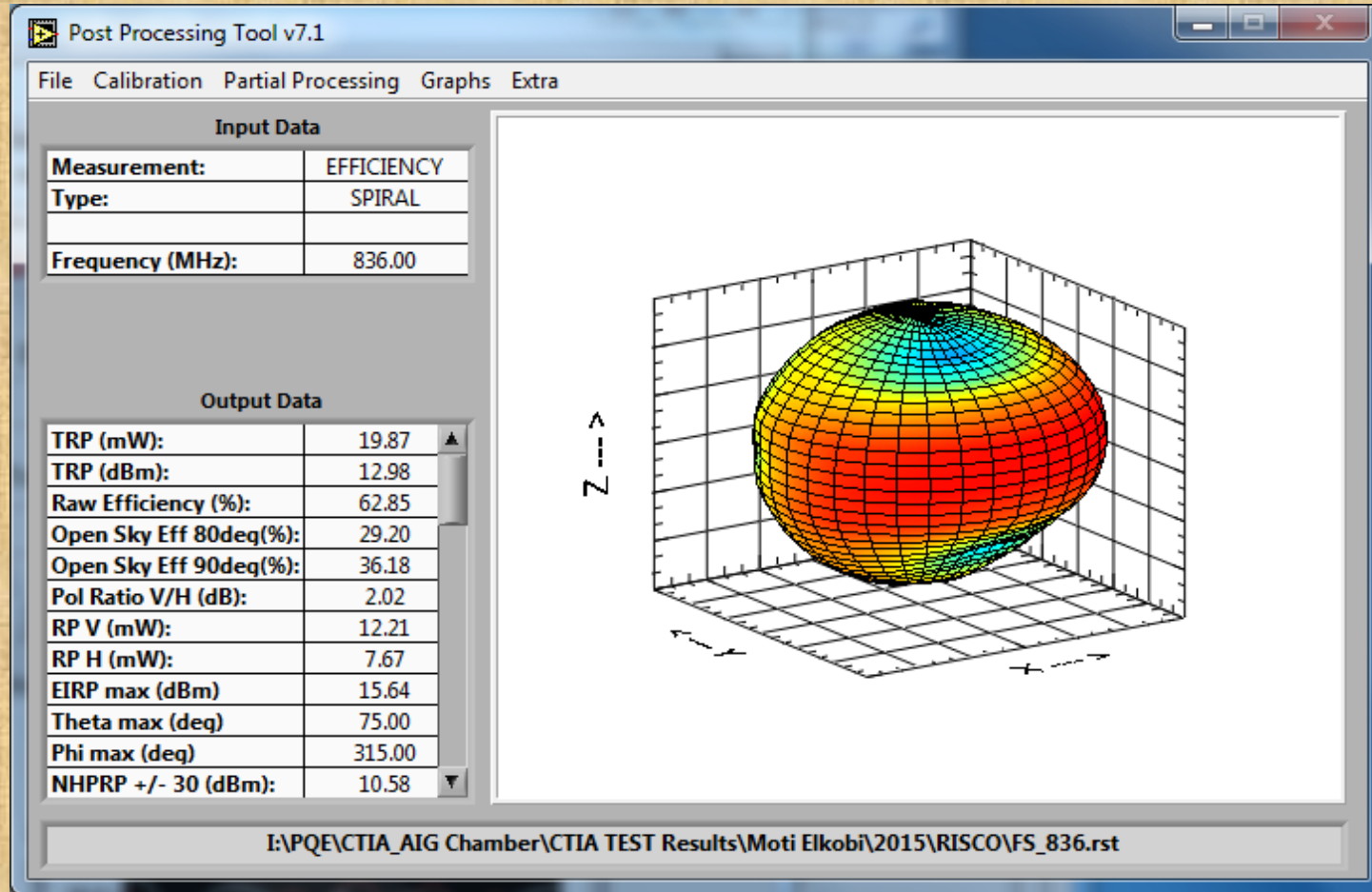
RISCO

GSM Antenna 3D Chamber Pattern Test Results



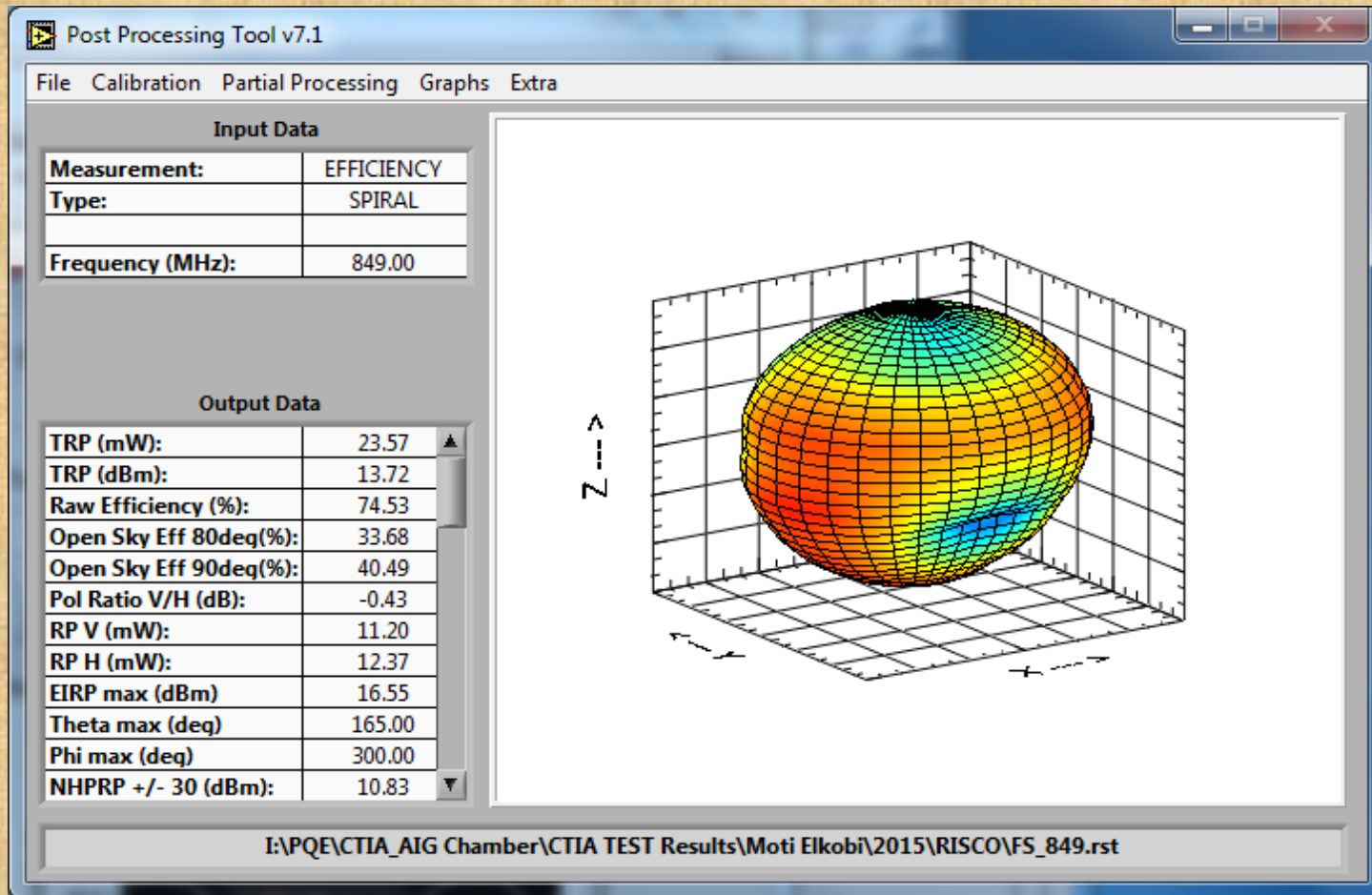
RISCO

GSM Antenna 3D Chamber Pattern Test Results



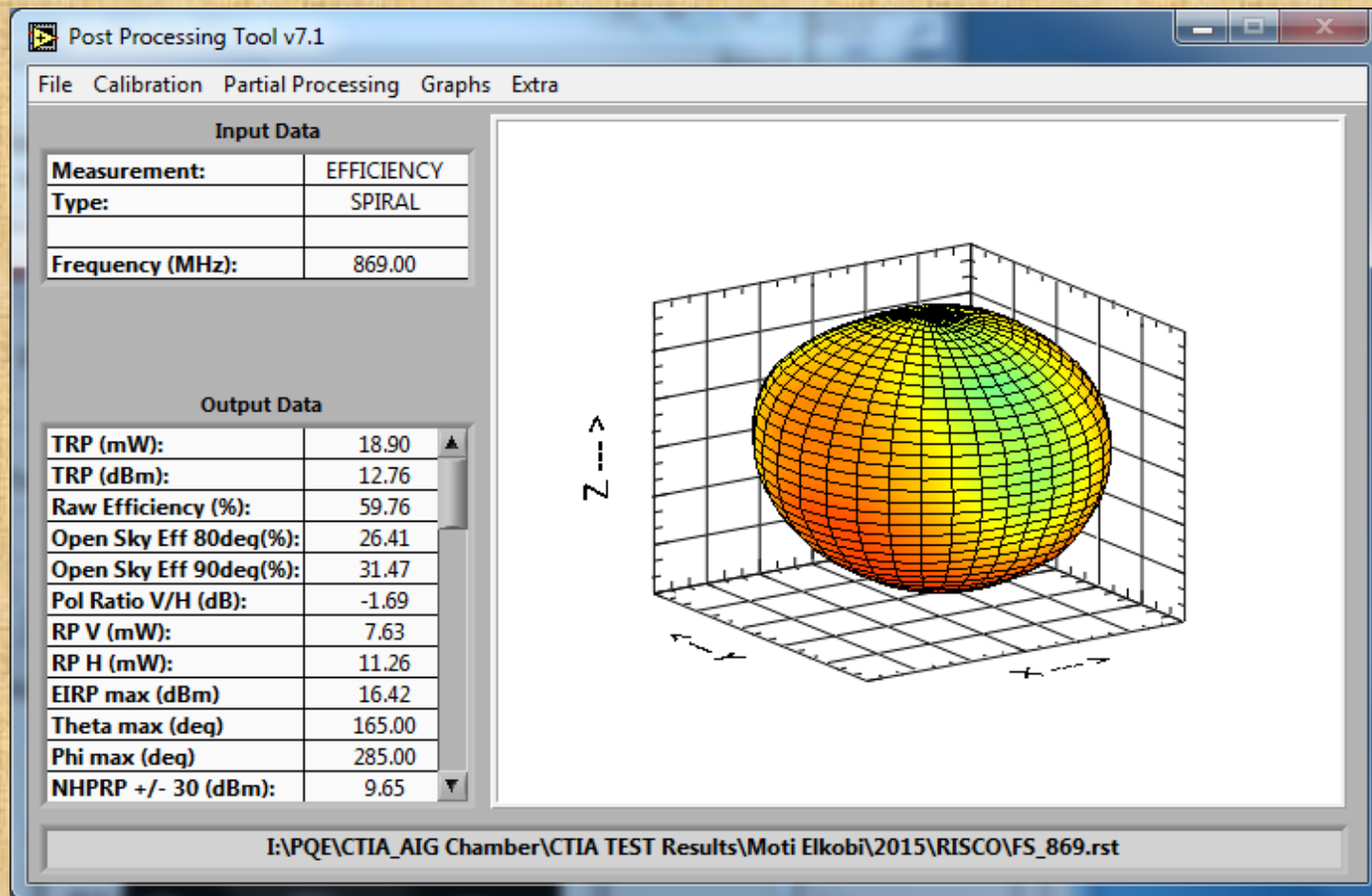
RISCO

GSM Antenna 3D Chamber Pattern Test Results



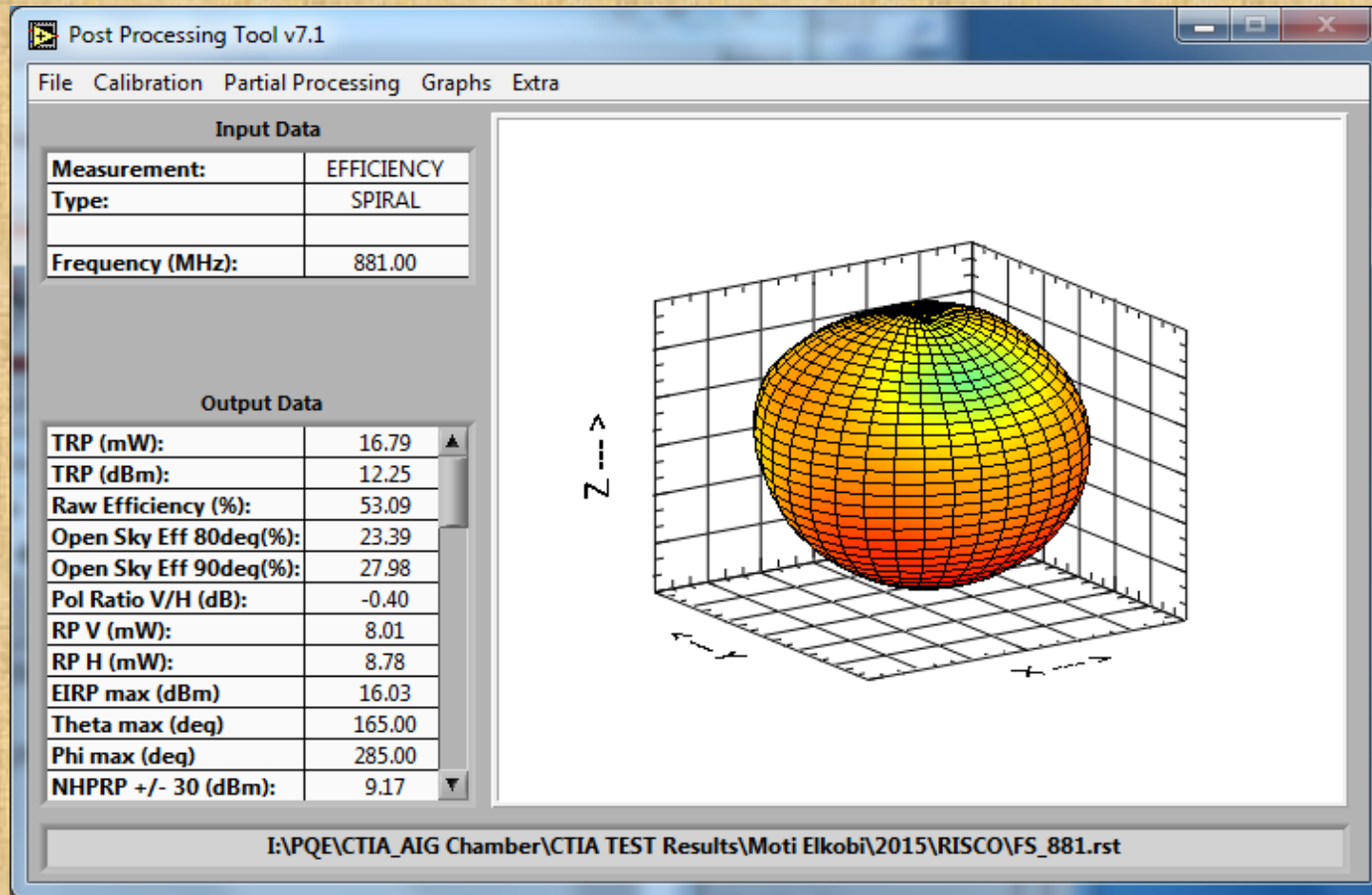
RISCO

GSM Antenna 3D Chamber Pattern Test Results



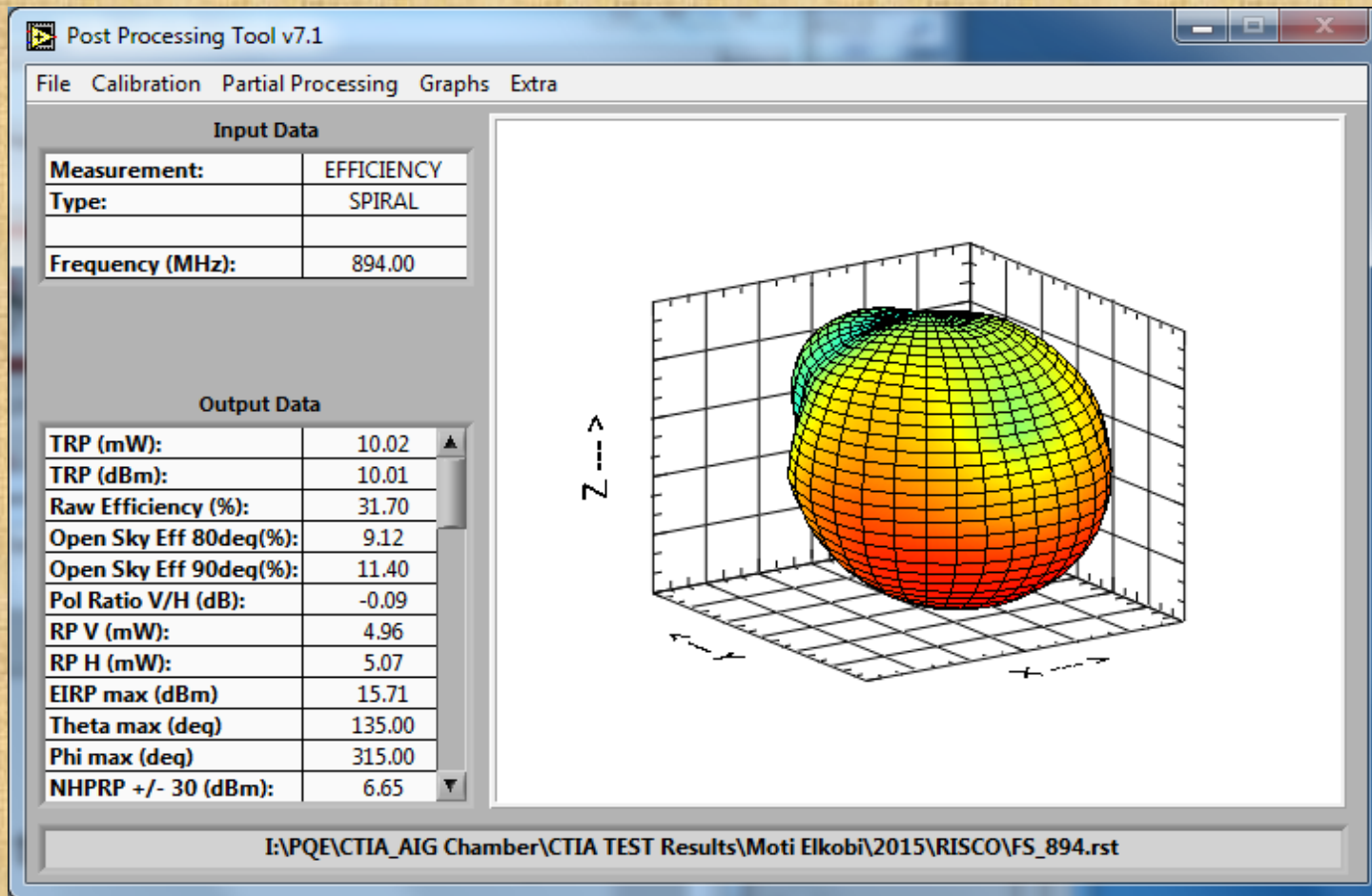
RISCO

GSM Antenna 3D Chamber Pattern Test Results



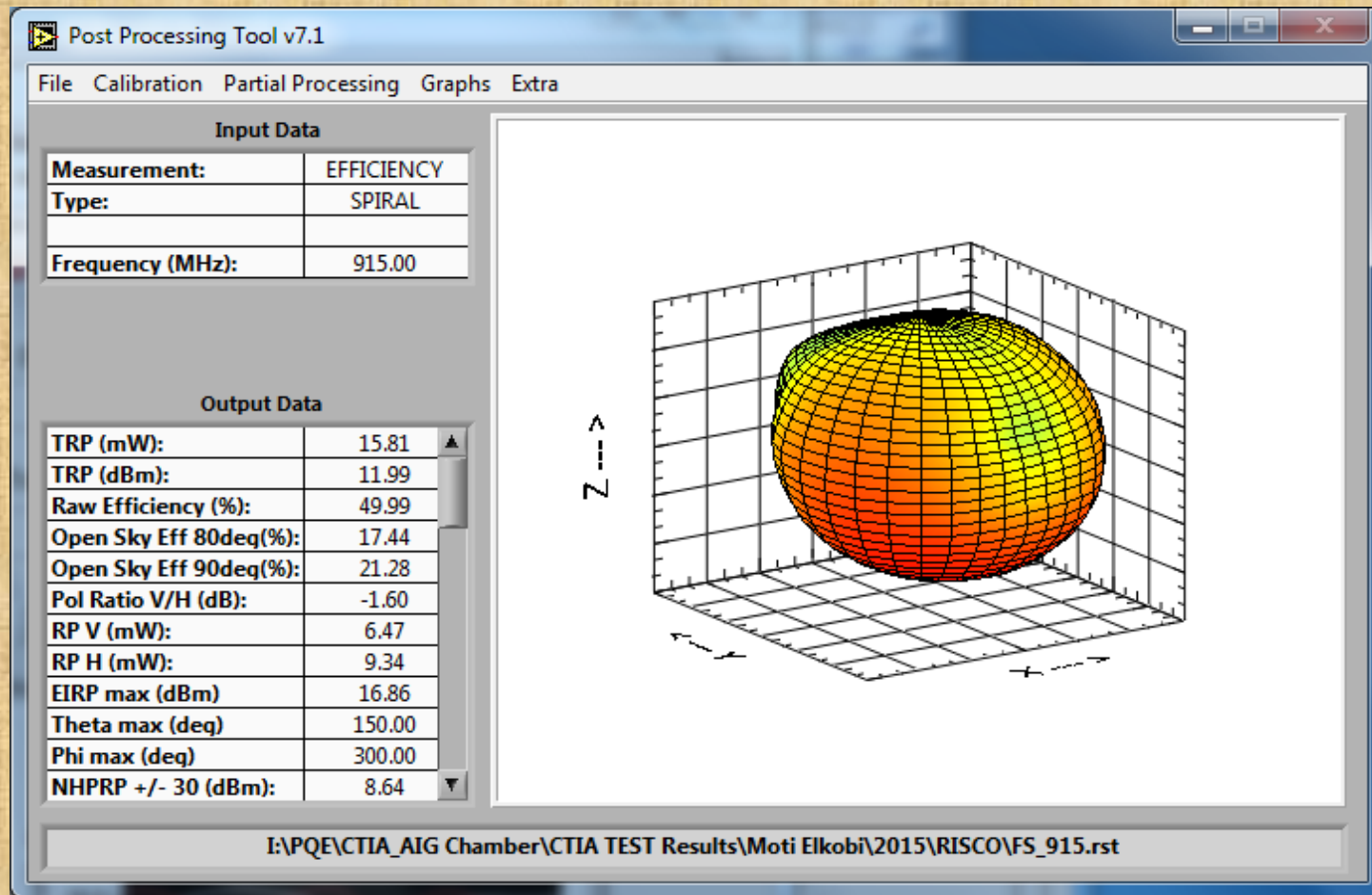
RISCO

GSM Antenna 3D Chamber Pattern Test Results



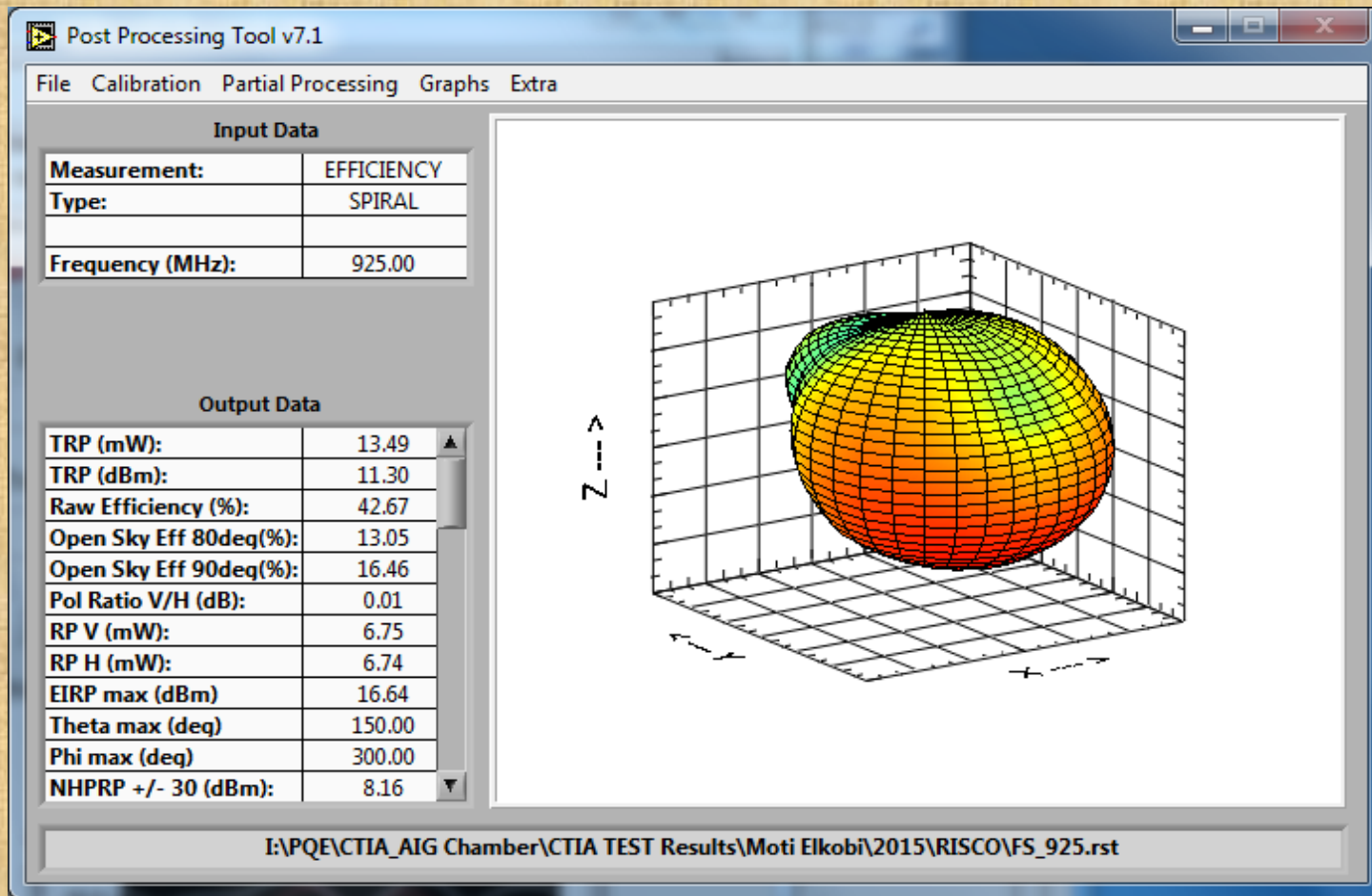
RISCO

GSM Antenna 3D Chamber Pattern Test Results



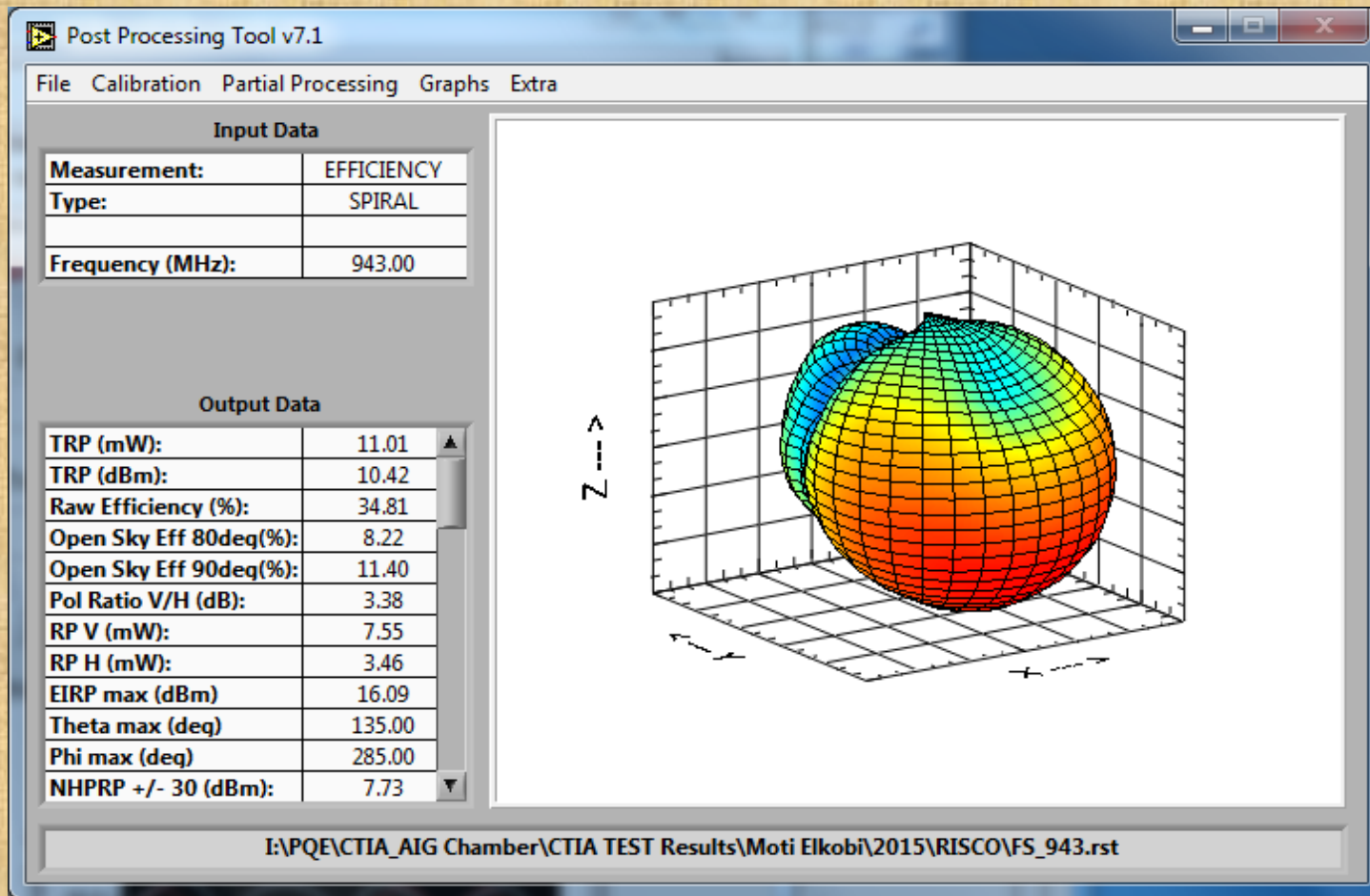
RISCO

GSM Antenna 3D Chamber Pattern Test Results



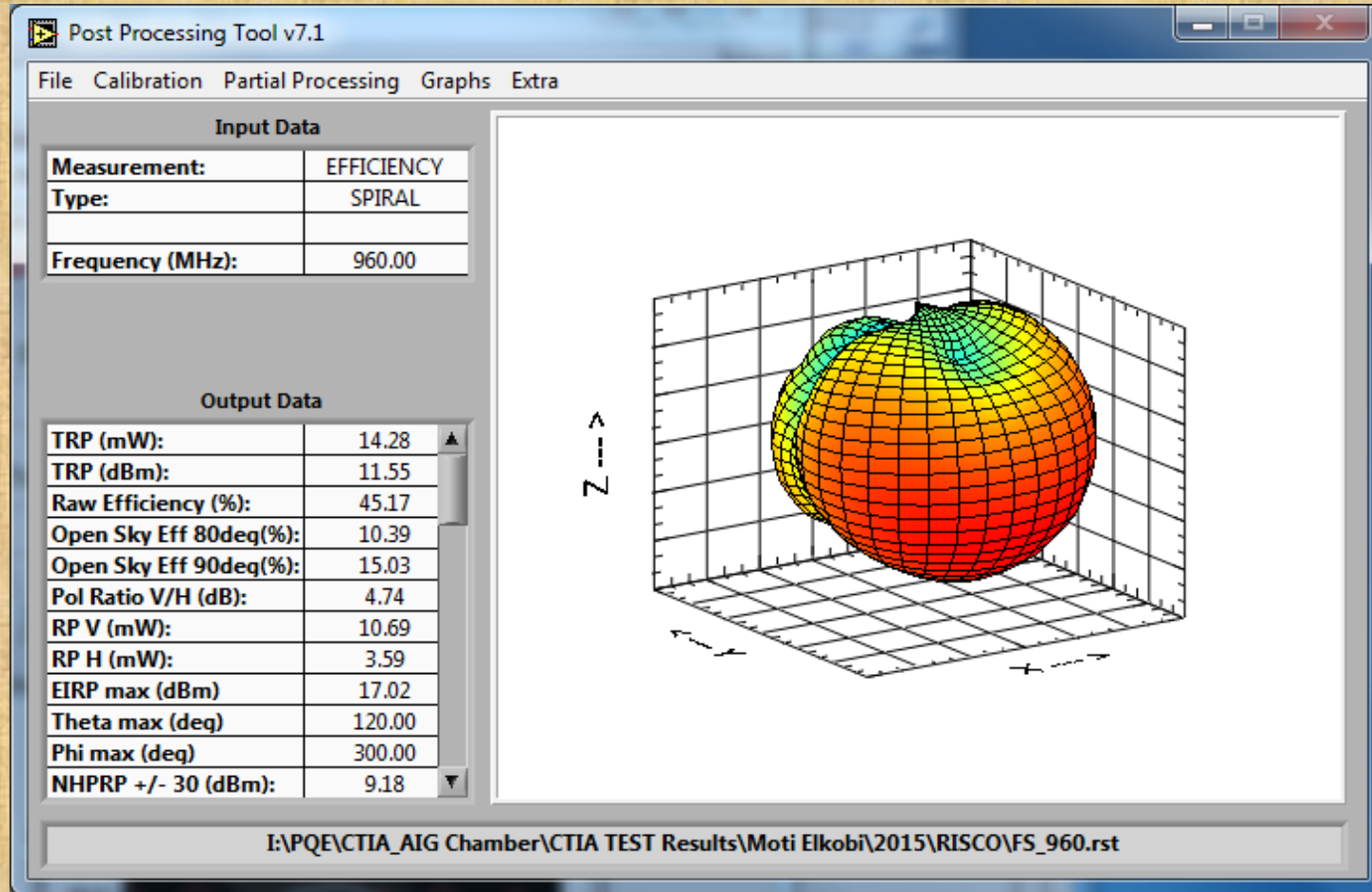
RISCO

GSM Antenna 3D Chamber Pattern Test Results



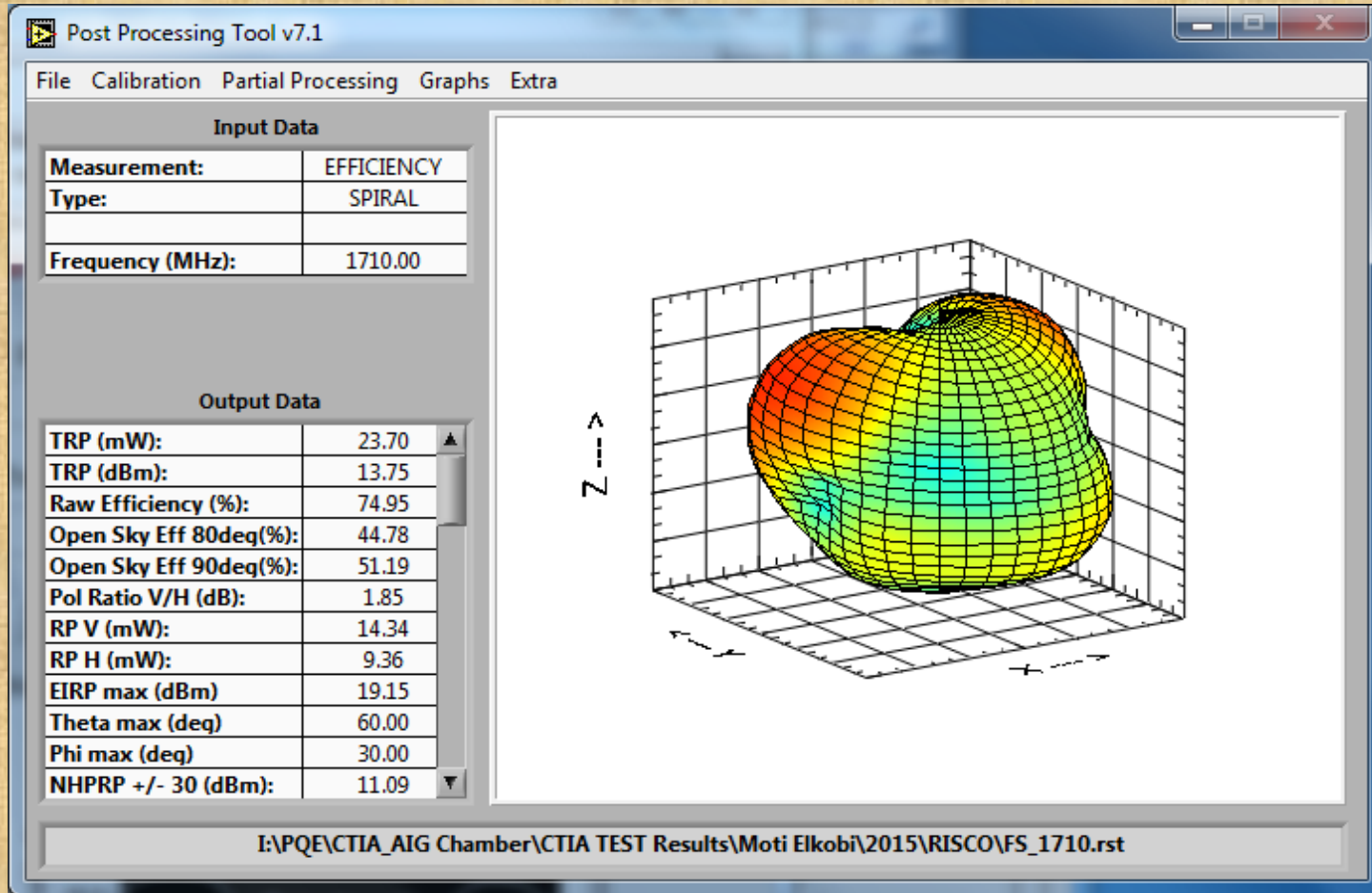
RISCO

GSM Antenna 3D Chamber Pattern Test Results



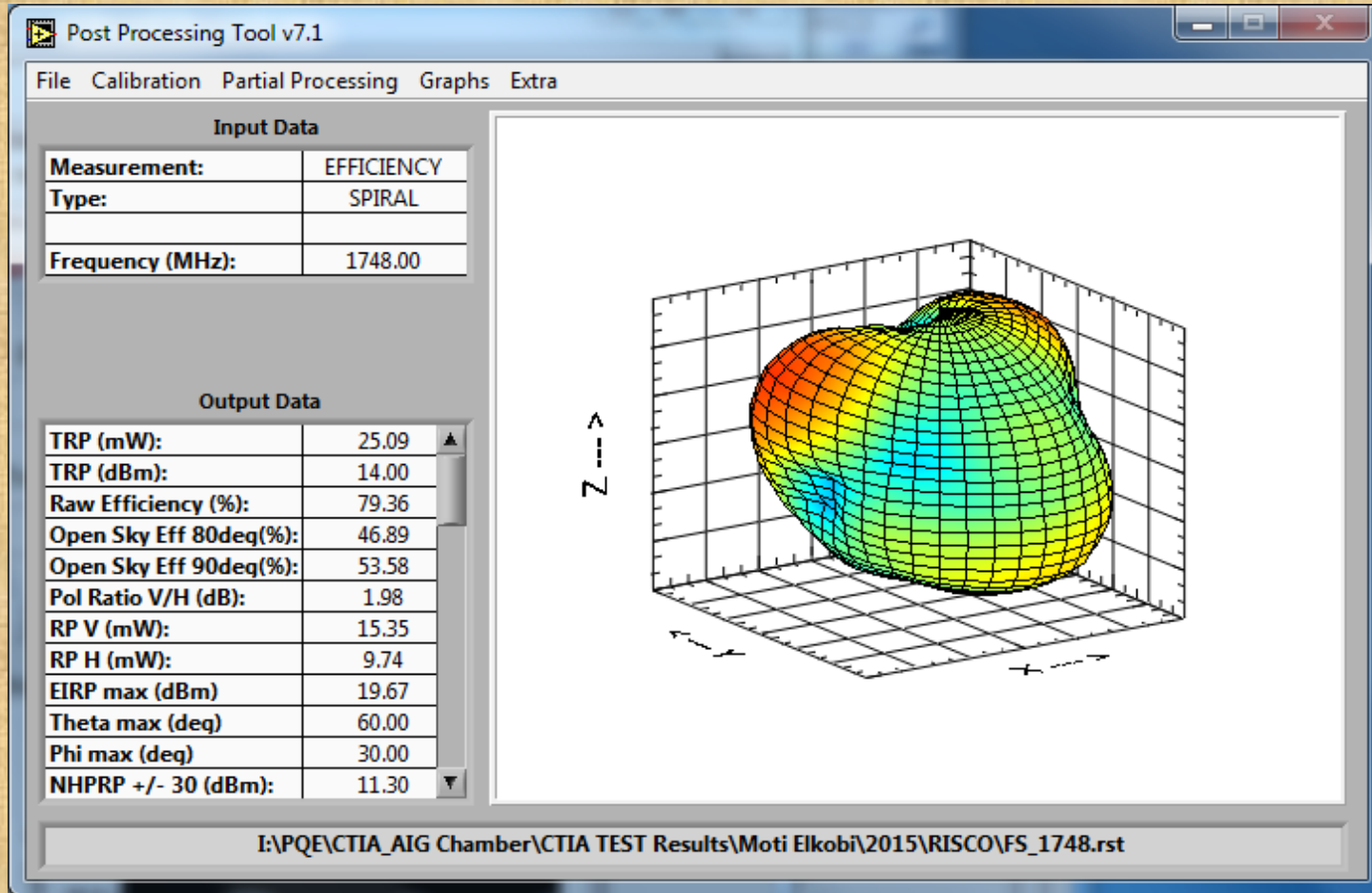
RISCO

GSM Antenna 3D Chamber Pattern Test Results



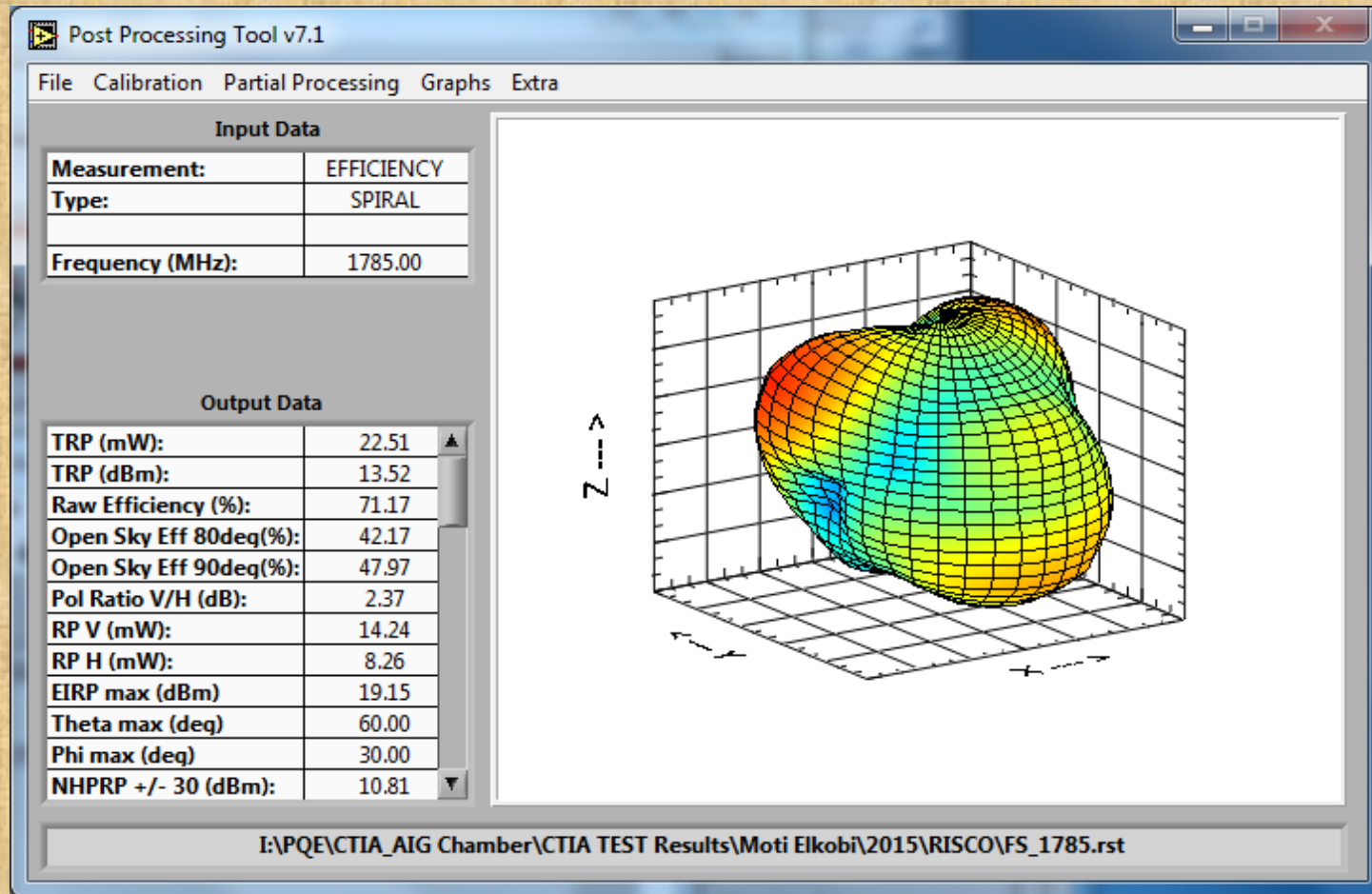
RISCO

GSM Antenna 3D Chamber Pattern Test Results



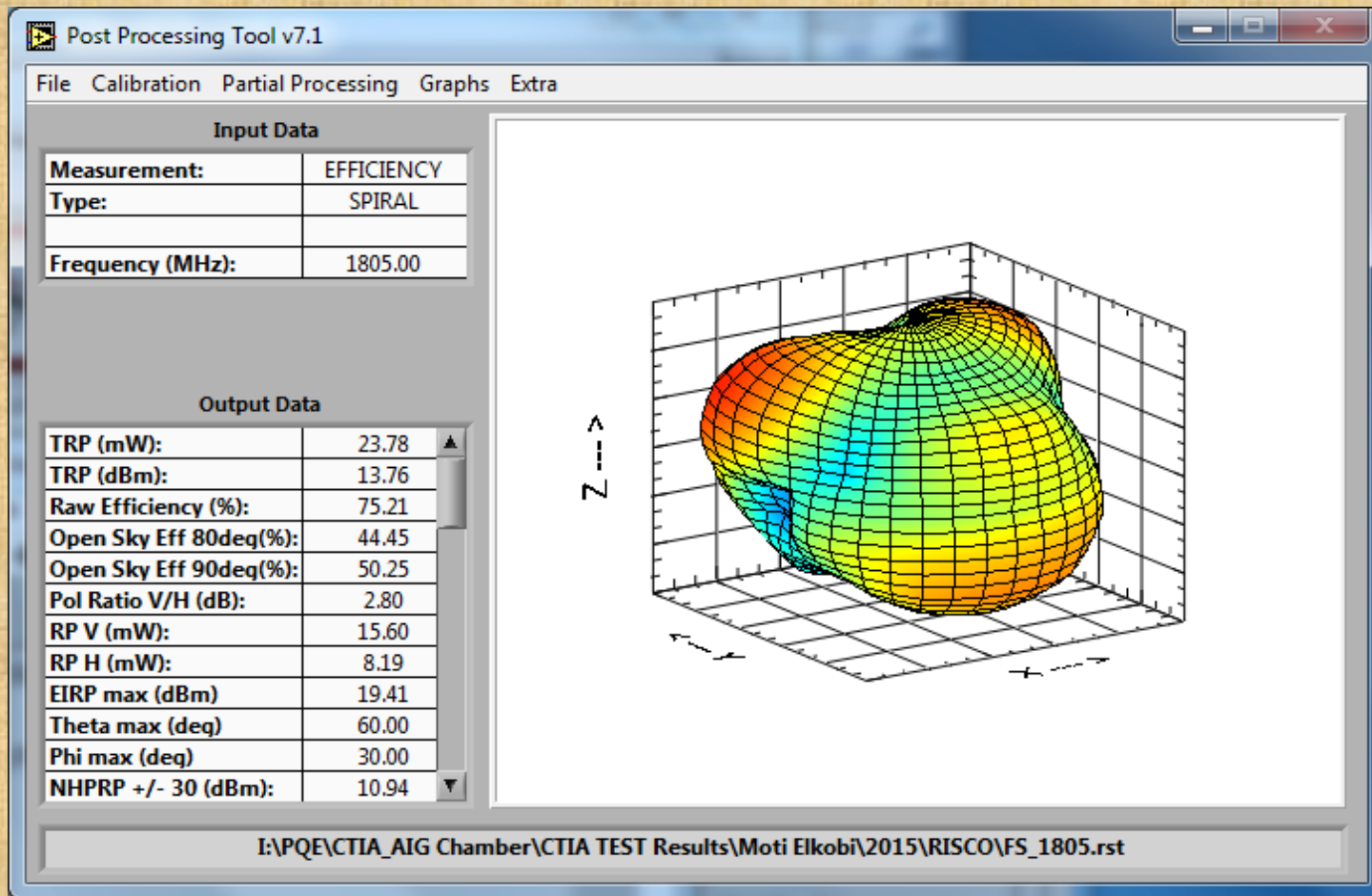
RISCO

GSM Antenna 3D Chamber Pattern Test Results



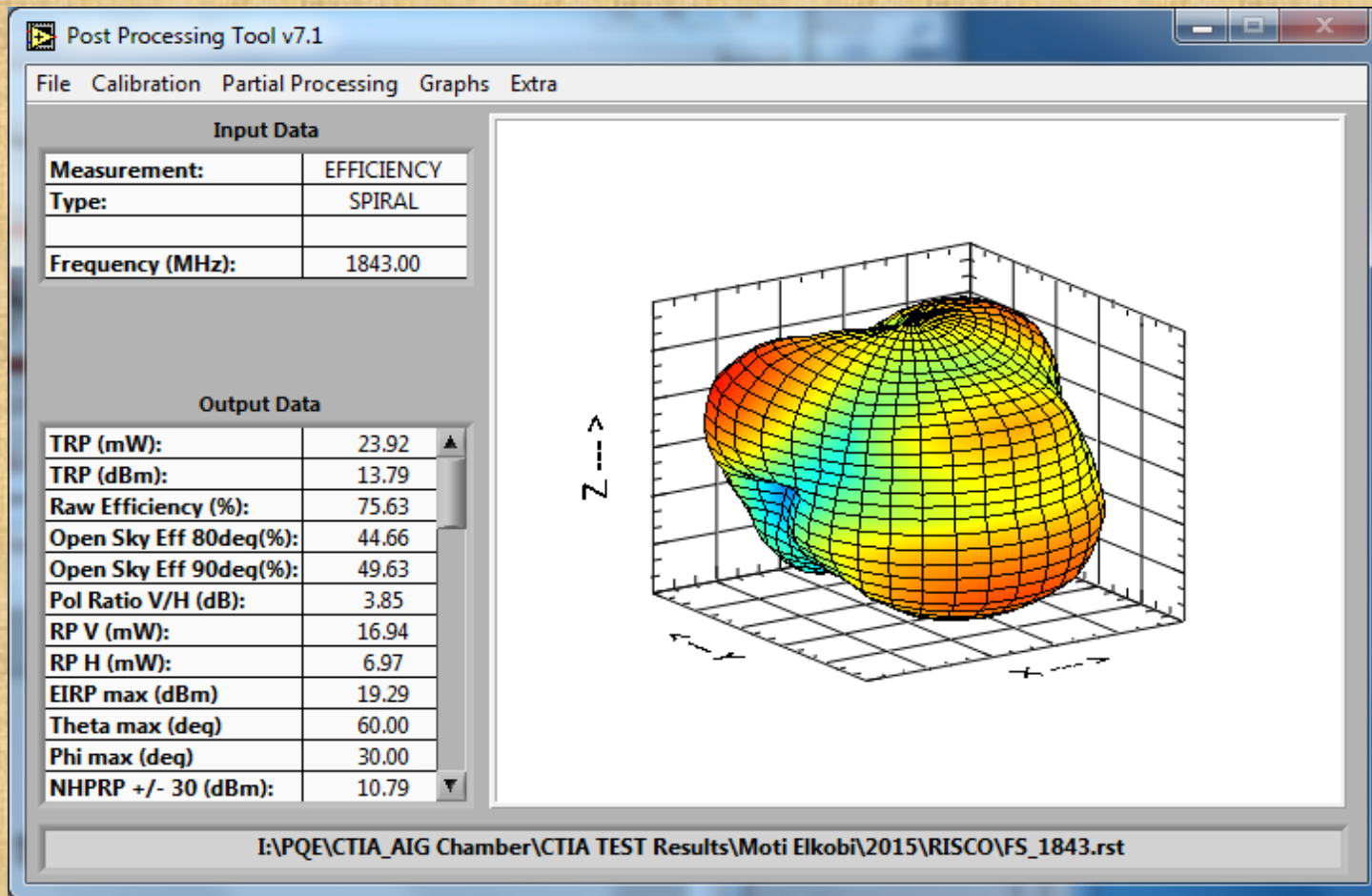
RISCO

GSM Antenna 3D Chamber Pattern Test Results



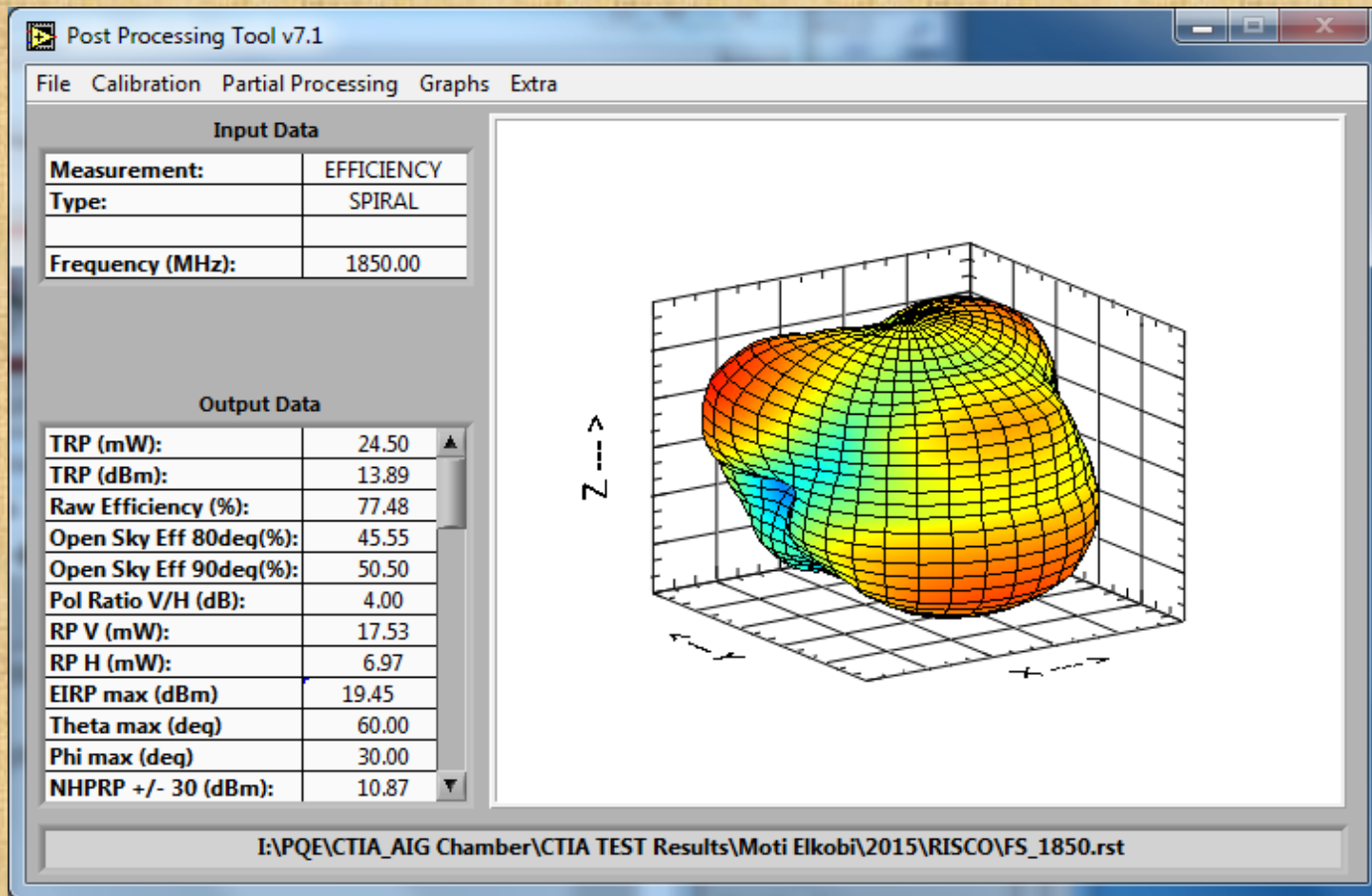
RISCO

GSM Antenna 3D Chamber Pattern Test Results



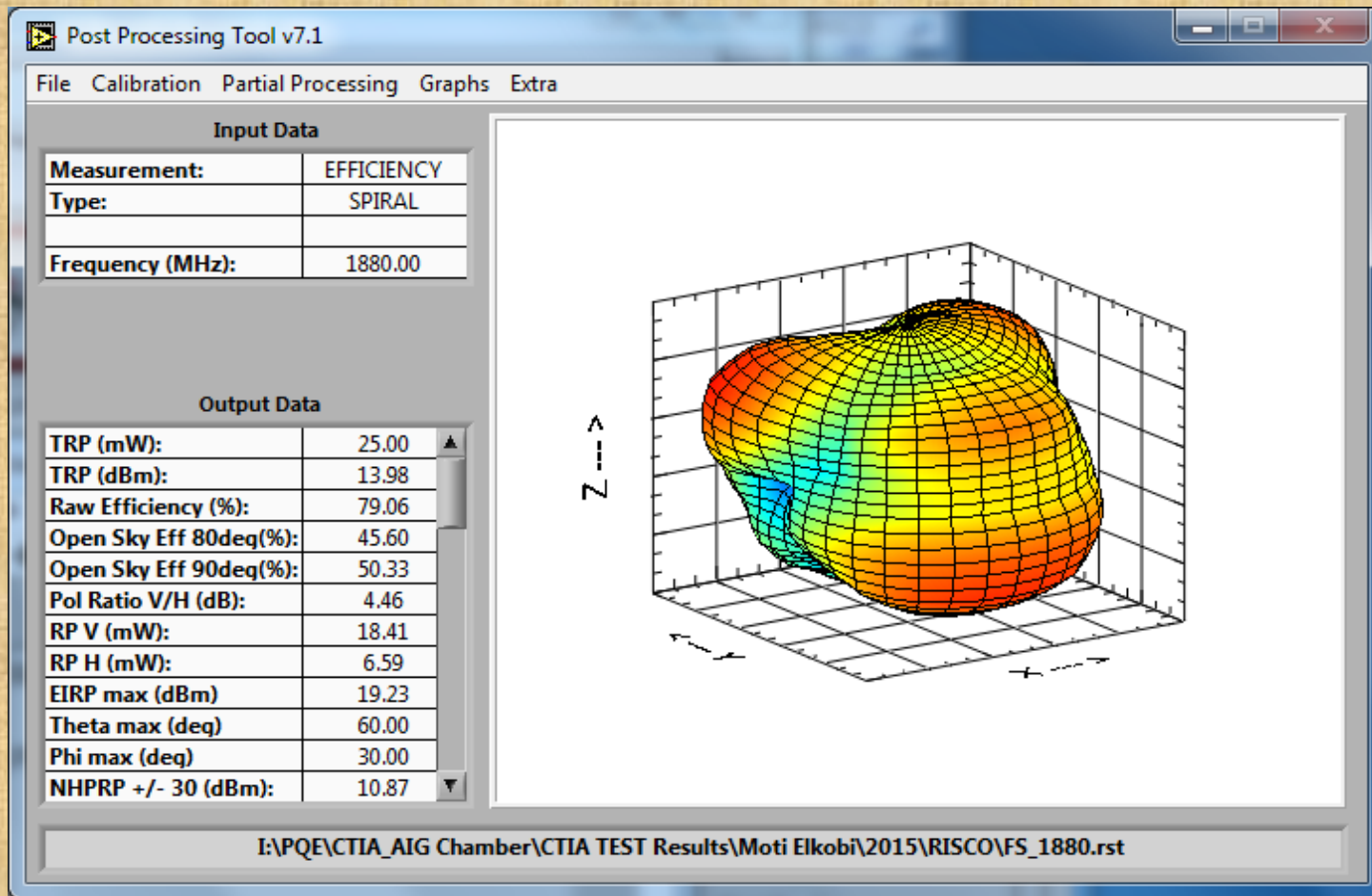
RISCO

GSM Antenna 3D Chamber Pattern Test Results



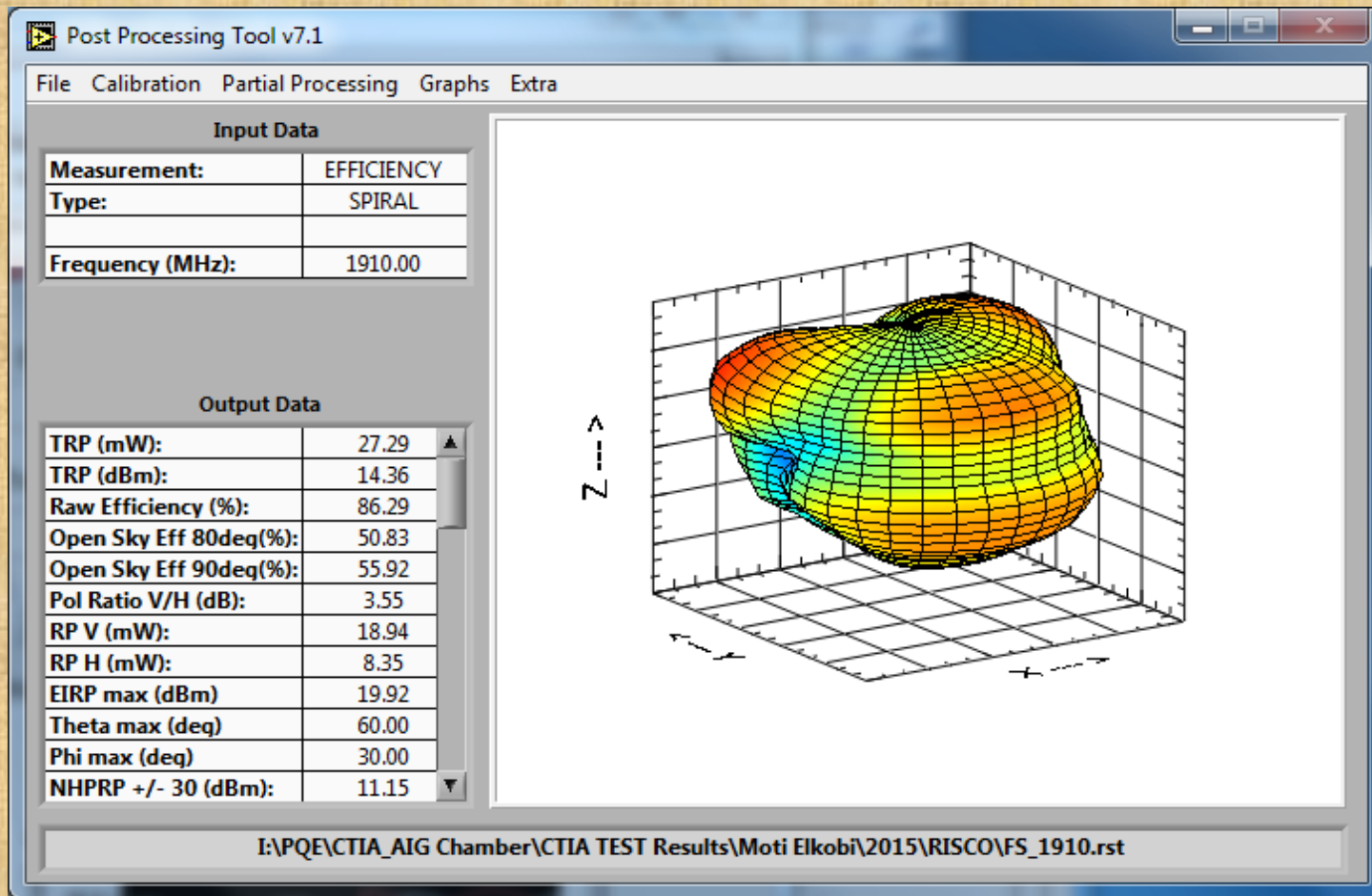
RISCO

GSM Antenna 3D Chamber Pattern Test Results



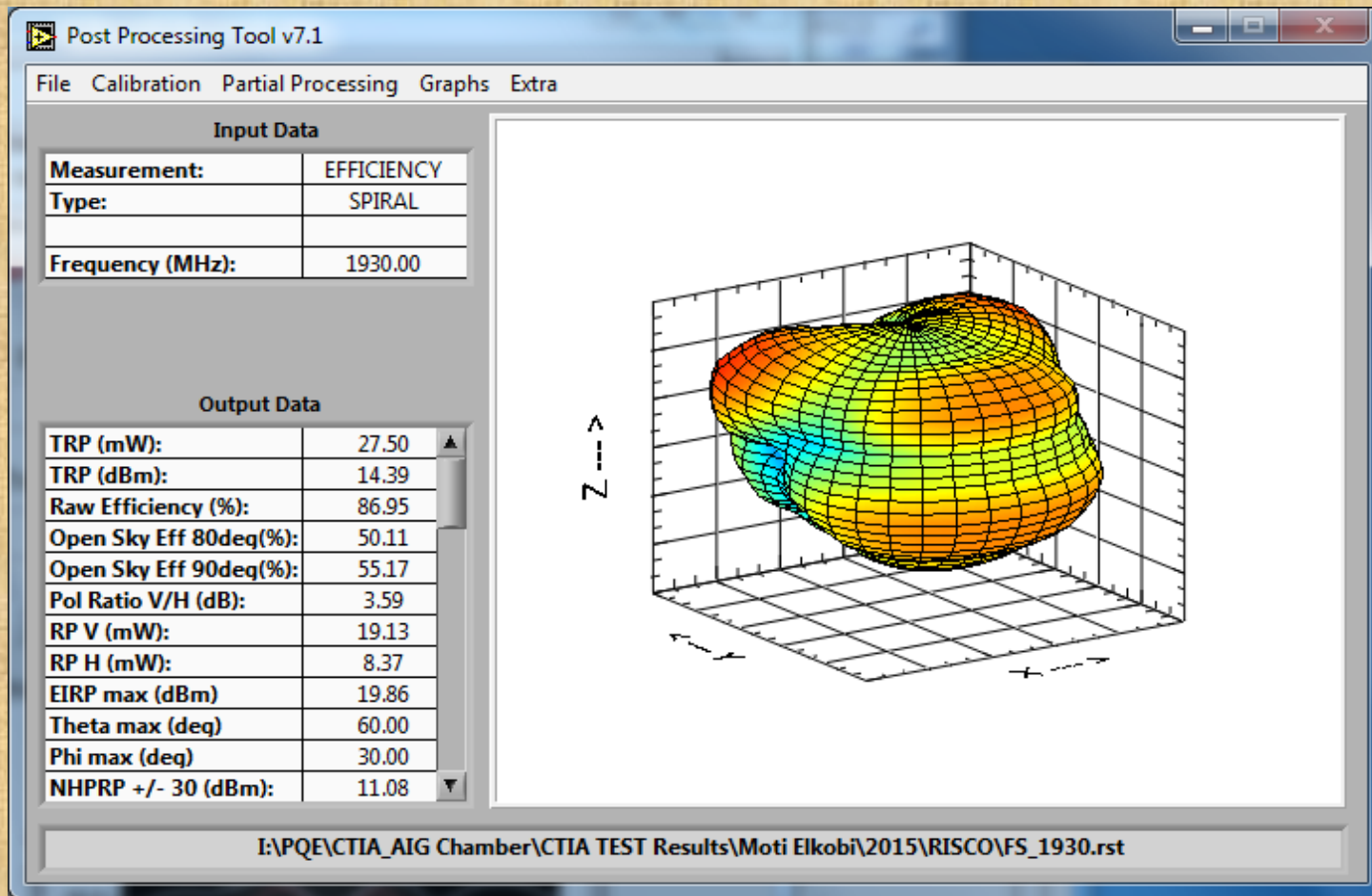
RISCO

GSM Antenna 3D Chamber Pattern Test Results



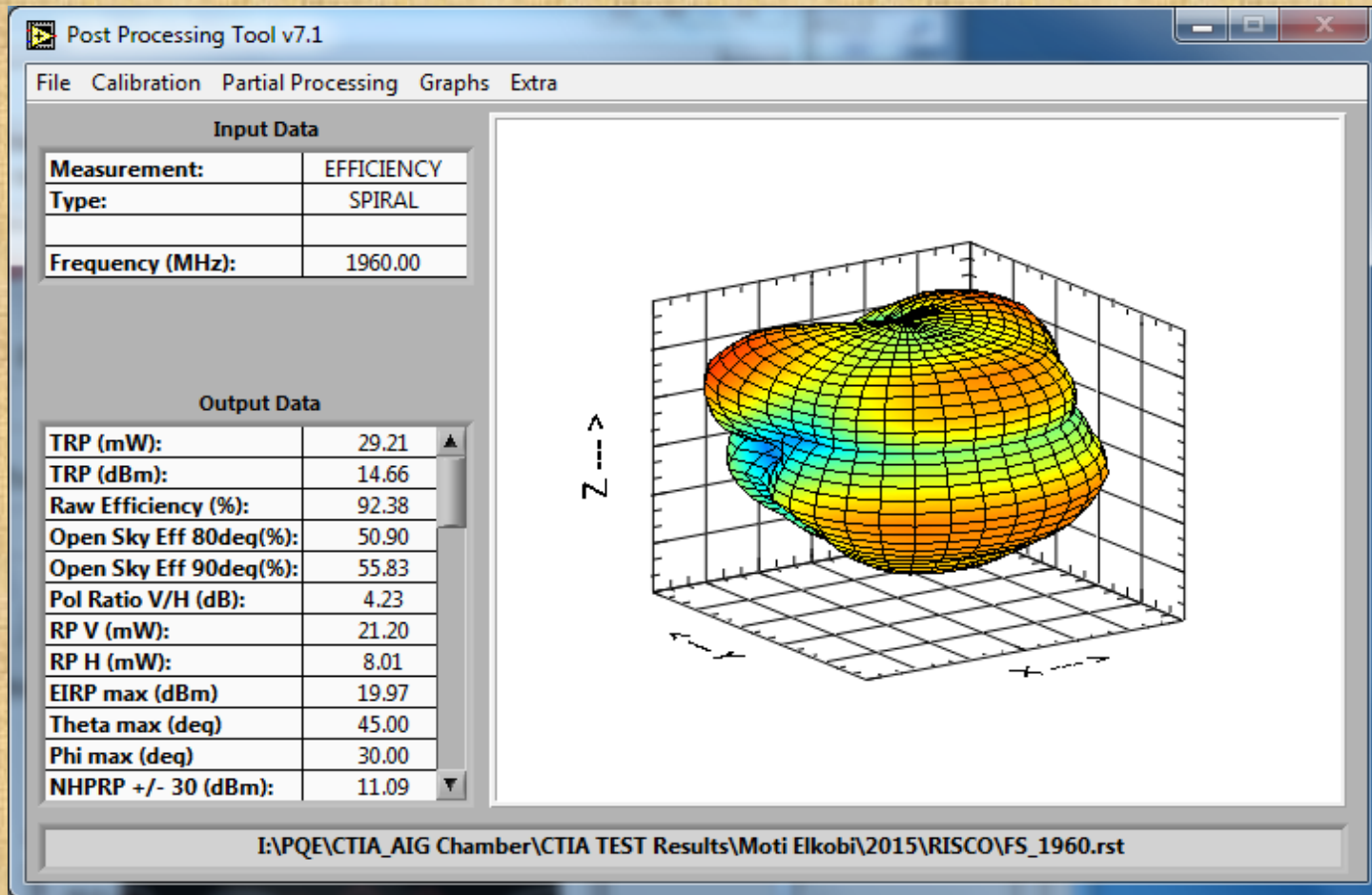
RISCO

GSM Antenna 3D Chamber Pattern Test Results



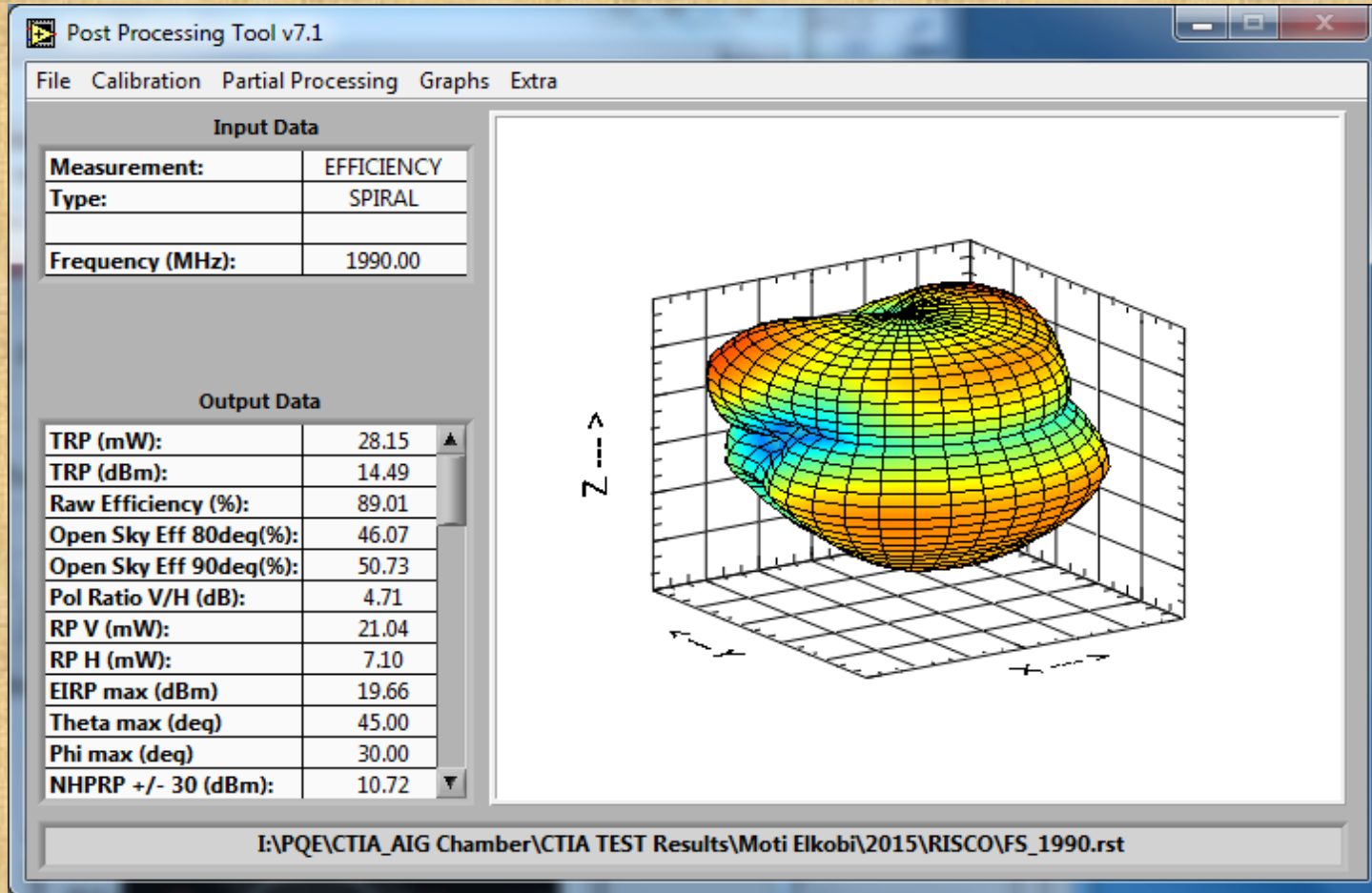
RISCO

GSM Antenna 3D Chamber Pattern Test Results



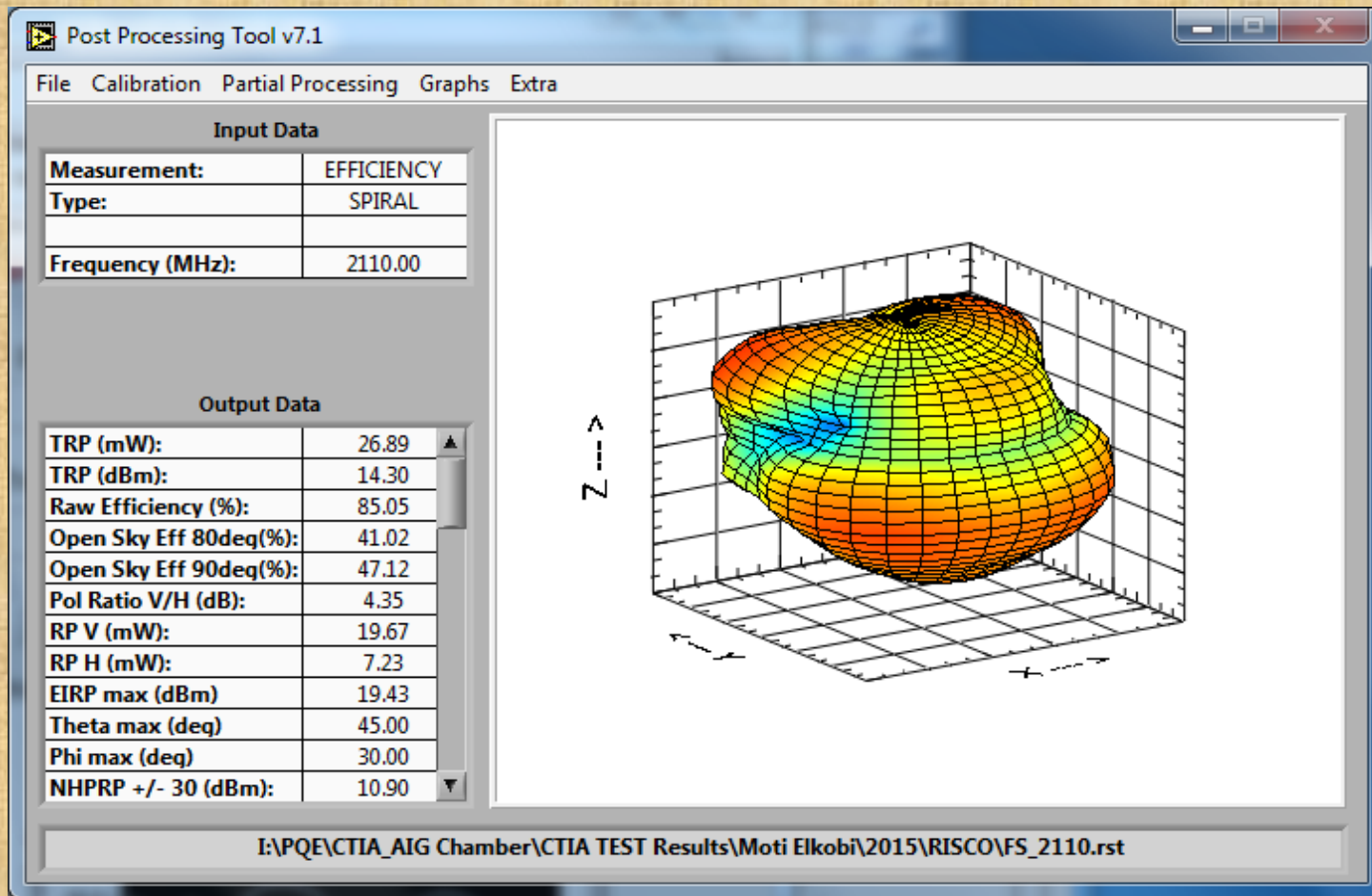
RISCO

GSM Antenna 3D Chamber Pattern Test Results



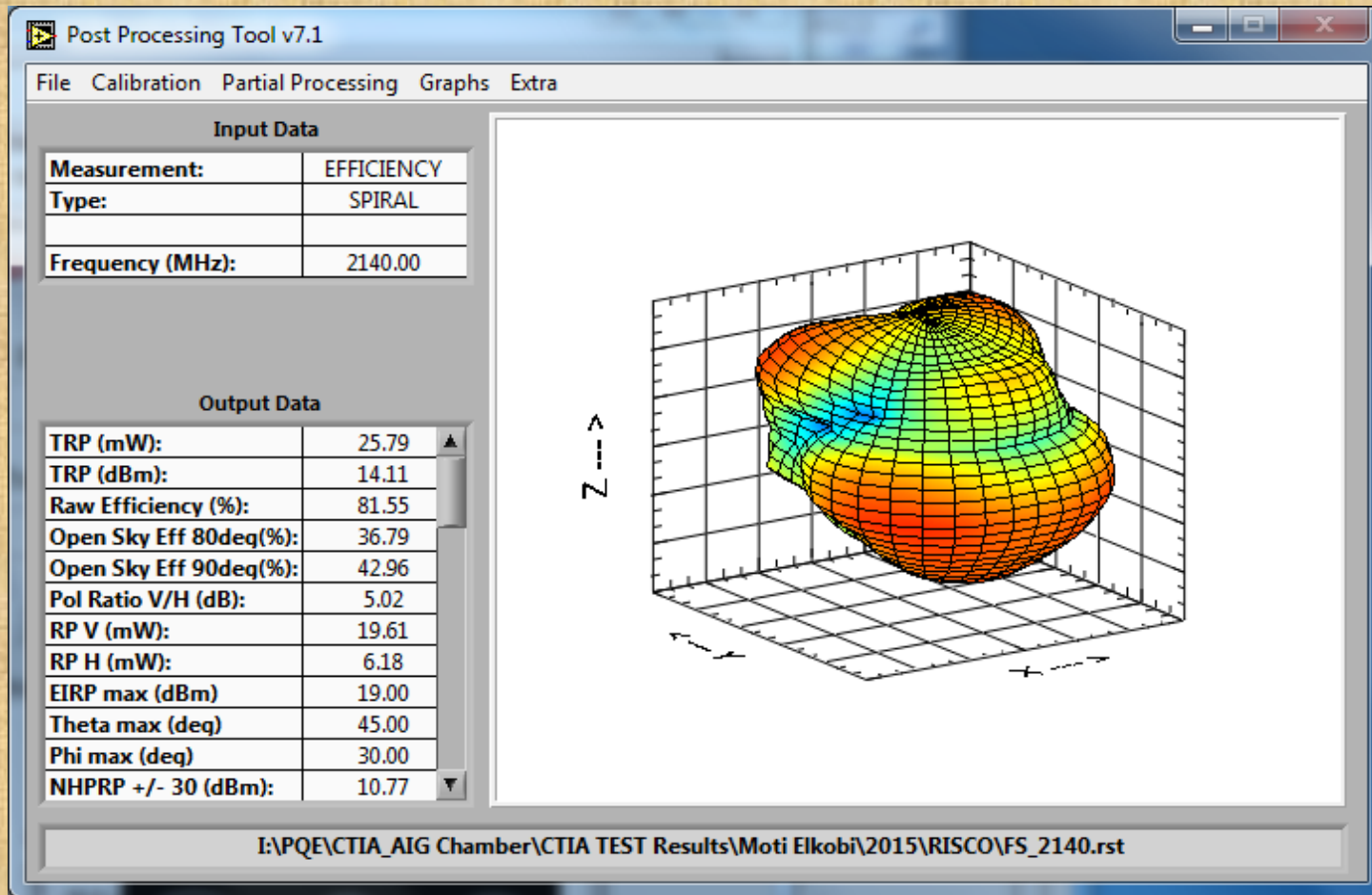
RISCO

GSM Antenna 3D Chamber Pattern Test Results



RISCO

GSM Antenna 3D Chamber Pattern Test Results



RISCO

GSM Antenna 3D Chamber Pattern Test Results

