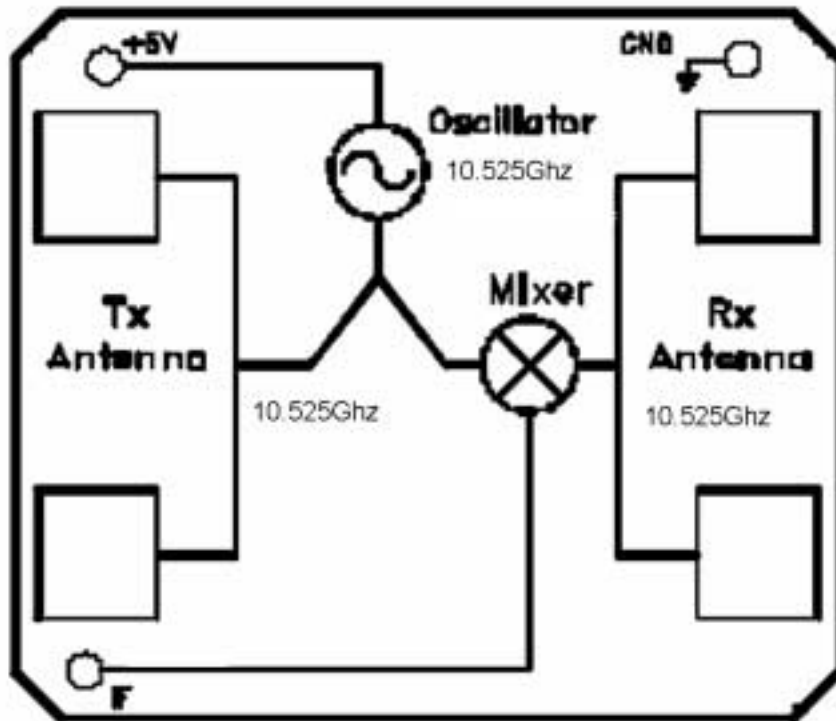


RK200DT0000A ceiling detector, RF module block diagram



Block Diagram &
Connection