

Date: October 6, 2008
Ref: Agility Panel Label location Rev0

Subject: Agility control panel - Label

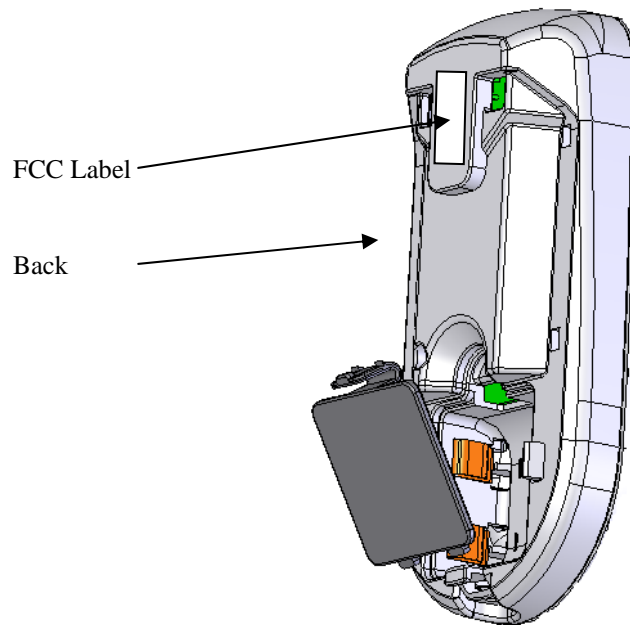
Location of the label on the device:



Date: October 6, 2008
Ref: Detectors Label location Rev0

Subject: 2-Way PIR/PET Detectors - Label

Location of the label on the device:



Date: October 6, 2008
Ref: IO Expanders Label location Rev0

Subject: I/O & X10 Expander - Label

Location of the label on the device:

