

## Antenna Measurement Report

Model: AORUS M6(V22012)
Manufacturer: GIGA-BYTE Technology Co., Ltd.
Antenna Type: PCB
Tested by (name / position & signature)    Saul Wang / Engineer <i>Saul Wang</i>
Approved by (name / position & signature)    Lorien Chang / Manager <i>Lorien Chang</i>
Date of issue 2023/6/8

## Index

Competences and guarantees.....	3
General conditions.....	3
Data provided by the client.....	3
Testing period and place .....	4
Document history.....	4
Environmental conditions .....	4
Testing verdicts .....	4
Used Equipment .....	4
Appendix A: Test results.....	5

## Competences and guarantees

---

DEKRA is a testing laboratory competent to carry out the tests described in this report.

In order to assure the traceability to other national and international laboratories, DEKRA has a calibration and maintenance program for its measurement equipment.

DEKRA guarantees the reliability of the data presented in this report, which is the result of the measurements and the tests performed to the item under test on the date and under the conditions stated in the report and it is based on the knowledge and technical facilities available at DEKRA at the time of performance of the test.

DEKRA is liable to the client for the maintenance of the confidentiality of all information related to the item under test and the results of the test.

The results presented in this Test Report apply only to the particular item under test established in this document.

**IMPORTANT:** No parts of this report may be reproduced or quoted out of context, in any form or by any means, except in full, without the previous written permission of DEKRA Testing and Certification.

## General conditions

---

1. This report is only referred to the item that has undergone the test.
2. This report does not constitute or imply on its own an approval of the product by the Certification Bodies or competent Authorities.
3. This document is only valid if complete; no partial reproduction can be made without previous written permission of DEKRA Testing and Certification.
4. This test report cannot be used partially or in full for publicity and/or promotional purposes without previous written permission of DEKRA Testing and Certification.

## Data provided by the client

---

The following data has been provided by the client:

1. No

DEKRA Testing and Certification declines any responsibility with respect to the information provided by the client and that may affect the validity of results.

## Testing period and place

Test Location	DEKRA Testing and Certification No. 26, Huaya 1st Rd., Guishan Dist., Taoyuan City 333411, Taiwan
Date (start)	2023/2/22
Date (finish)	2023/2/22

## Document history

Report number	Revision	Date	Description
2320634R-A324310010-A	Rev. 1.0	2023/3/3	First release
2320634R-A324310010-A	Rev. 2.0	2023/5/22	Update Model
2320634R-A324310010-A	Rev. 3.0	2023/6/8	Update Model & Antenna Type

## Environmental conditions

The climatic conditions during the tests are within the limits specified by the manufacturer for the operation of the EUT and the test equipment. The climatic conditions during the tests were within the following limits:

Ambient temperature	22 °C – 28 °C
Relative Humidity air	< 60%

## Testing verdicts

Not applicable:	N/A
Pass:	P
Fail:	F
Information:	Info
Not measured:	N/M

## Used Equipment

Name	Manufacturer	Type/Model	Serial Number	Calibration
				Last Cal.
Vector Network Analyzer	R&S	ZNB 8	106333	2022/5/16
Measurement Software	ETS-Lindgren	EMQuest 1.14	1474	N/A

# Appendix A: Test results

## INDEX

<b>1. TEST CONDITIONS</b> .....	<b>7</b>
1.1 Power supply (V).....	7
1.2 Temperature (°C).....	7
1.3 Test frequencies and Output Power.....	7
1.4 Device orientation and Setup Requirements.....	7
<b>2. TEST RESULTS</b> .....	<b>8</b>
2.1 Summary.....	8
2.2 Antenna_Passive GIGABYTE_mouse_attn01.....	8
2.3 GIGABYTE_mouse_attn02.....	8
2.4 3D Plots.....	9
2.5 Test Setup.....	11

## 1. TEST CONDITIONS

### 1.1 Power supply (V)

Power supply (V) under test:

N/A

### 1.2 Temperature (°C)

Tn = +22 to +28

The subscript n indicates normal test conditions.

### 1.3 Test frequencies and Output Power

In all required operating bands the measurements for Total Radiated Power (TRP) and Total Isotropic Sensitivity (TIS) measurements were performed on lowest, middle and highest channels defined by the standard [1]. Continuum of channels across each supported band was performed for Intermediate Channel Sensitivity (ICS) tests.

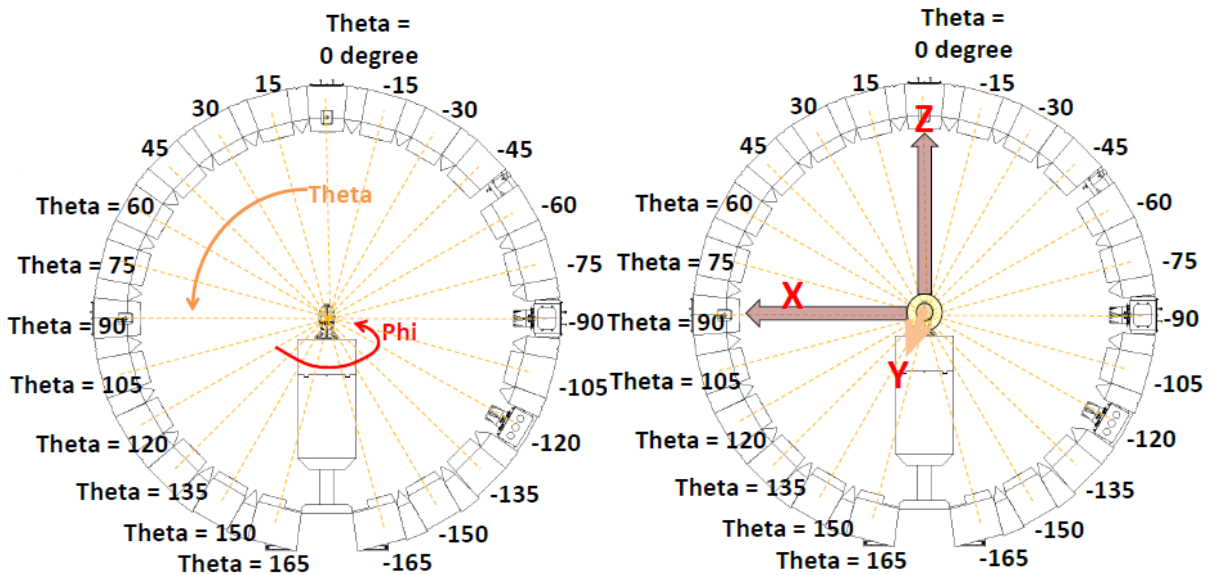
The output power of the device was set to maximum for all tests.

### 1.4 Device orientation and Setup Requirements

The EUT has only one mechanical configuration and it was tested in the scenario required by the standard [1]:

- “Free-space” configuration, whereby the EUT has been placed directly on a support.

The EUT is rotated along two different spherical axes: theta ( $\theta$ ) and phi ( $\Phi$ ). The relationship between the 3D Cartesian coordinate system (X, Y, Z) and the theta and phi axes is illustrated in the following figure.



- Locate the two rotational axes
  - Theta – the ring, multiple antennas
  - Phi – the turntable
- Define X,Y and Z directions
  - X – Theta = 90 degree
  - Y – Theta rotational axis
  - Z – Theta = 0 degree

## 2. TEST RESULTS

### 2.1 Summary

### 2.2 Antenna\_Passive

#### GIGABYTE\_mouse\_attn01

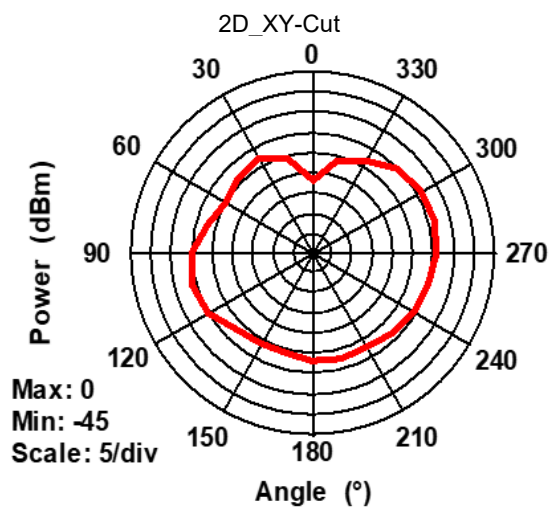
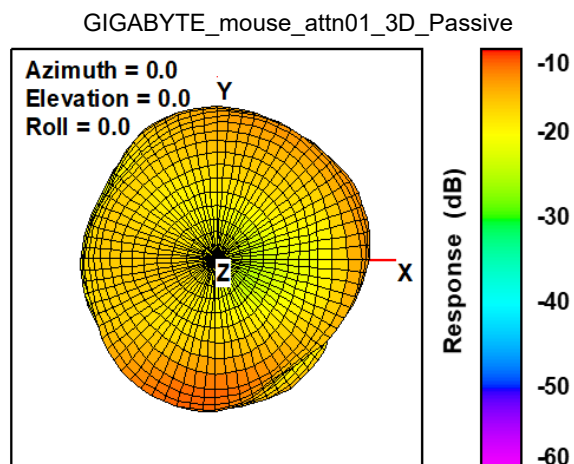
Frequency (MHz)	Tot. Rad. Pwr. (dBm)	Peak EIRP (dBm)	Directivity (dBi)	Efficiency (dB)	Efficiency (%)	Gain (dBi)	NHPRP $\pm\pi/4$ (dBm)	NHPRP $\pm\pi/6$ (dBm)
2400	-15.9	-10.8	5.1	-15.9	2.5	-10.8	-17.7	-19.8
2426	-15.7	-11.0	4.8	-15.7	2.7	-11.0	-17.5	-19.6
2480	-16.1	-11.1	5.0	-16.1	2.5	-11.1	-17.9	-20.0

### 2.3 GIGABYTE\_mouse\_attn02

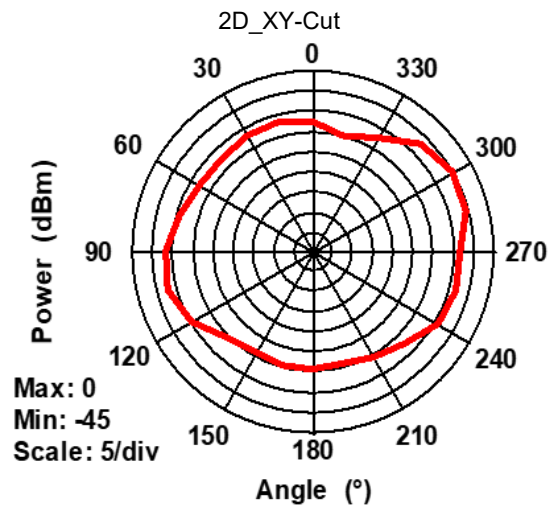
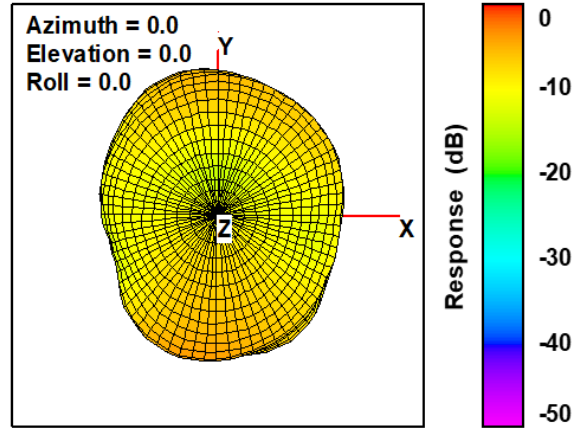
Frequency (MHz)	Tot. Rad. Pwr. (dBm)	Peak EIRP (dBm)	Directivity (dBi)	Efficiency (dB)	Efficiency (%)	Gain (dBi)	NHPRP $\pm\pi/4$ (dBm)	NHPRP $\pm\pi/6$ (dBm)
2400	-8.7	-3.5	5.2	-8.7	13.6	-3.5	-10.5	-12.5
2426	-8.1	-2.7	5.4	-8.1	15.6	-2.7	-10.1	-12.2
2480	-7.0	-1.3	5.6	-7.0	20.2	-1.3	-9.2	-11.4



## 2.4 3D Plots



GIGABYTE\_mouse\_attn02\_3D\_Passive



## 2.5 Test Setup

Please refer the document “test photo.PDF” .