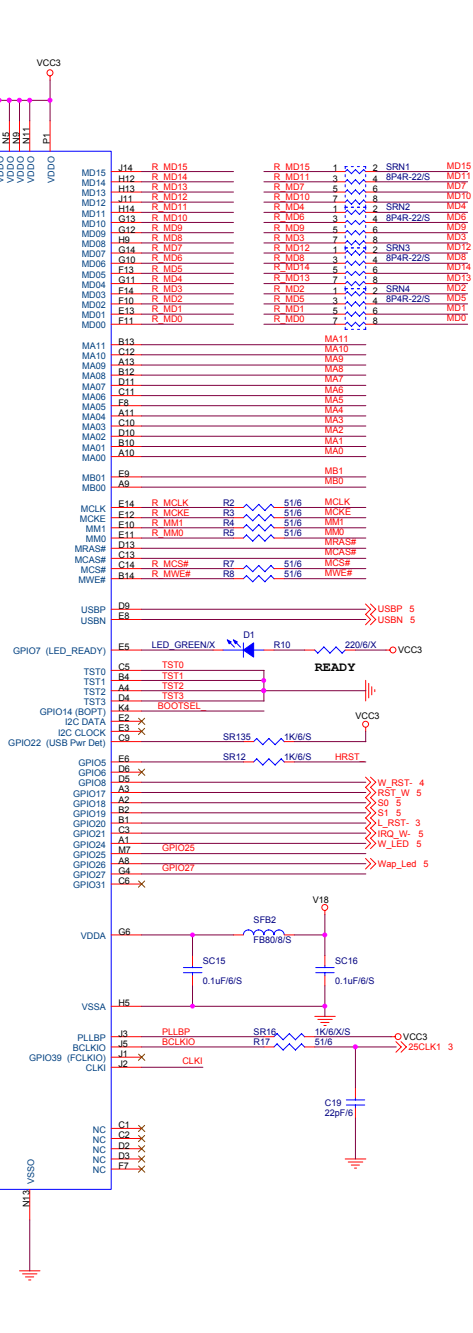
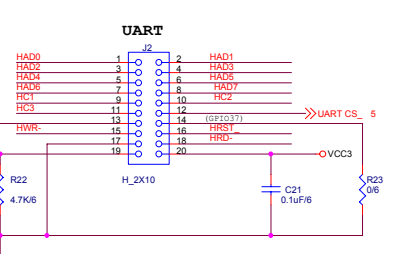
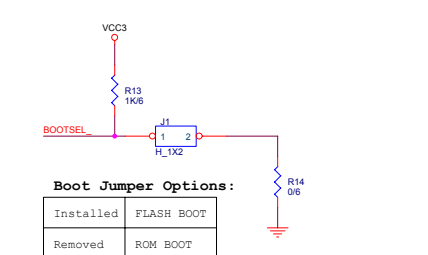
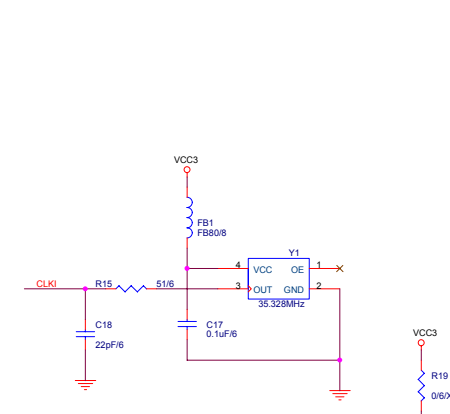
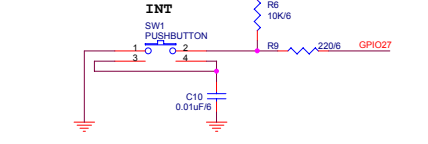
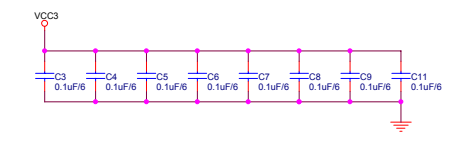
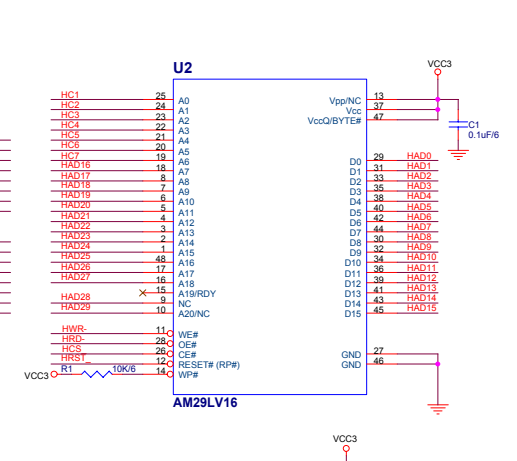
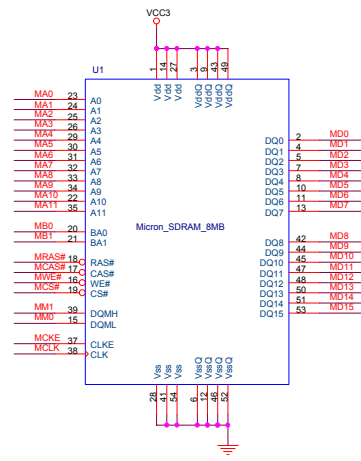
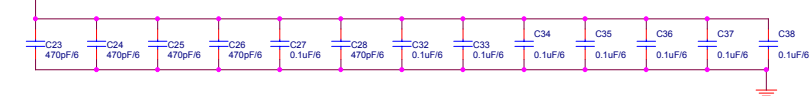
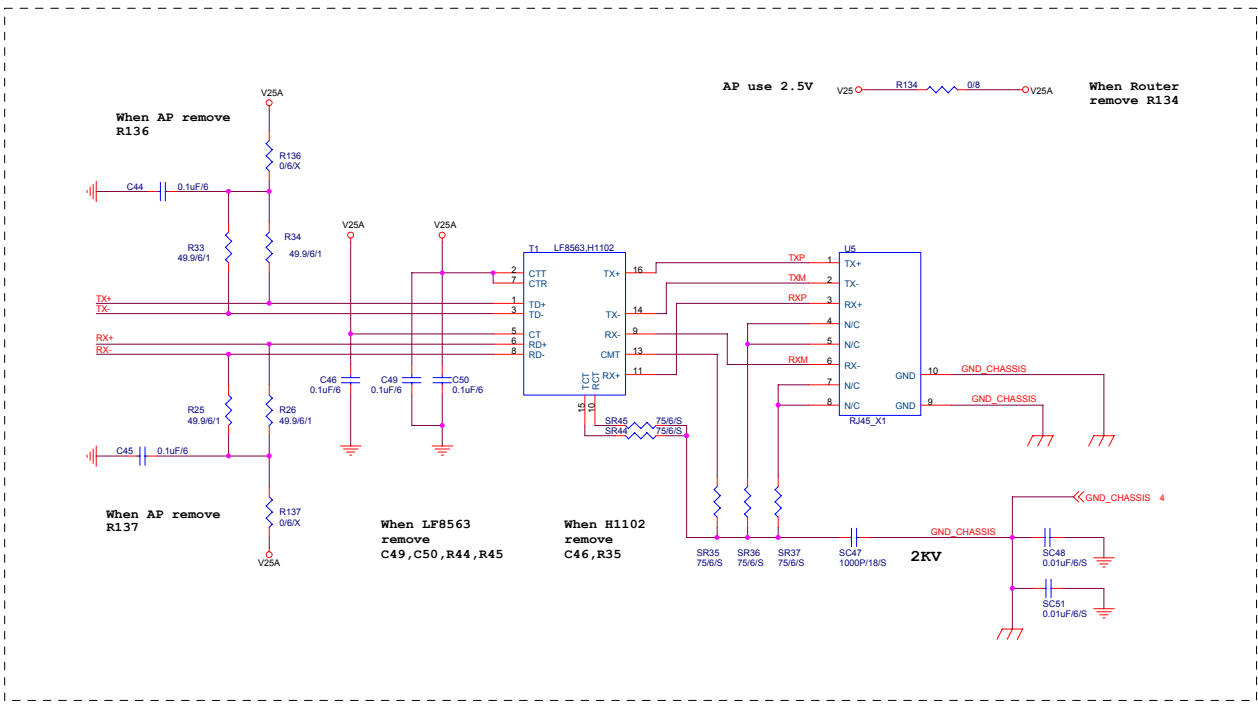
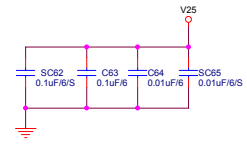
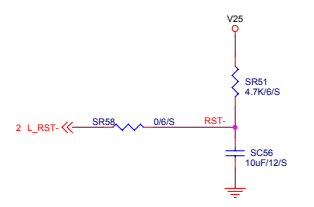
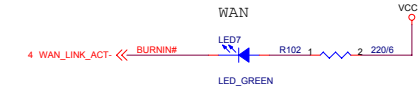
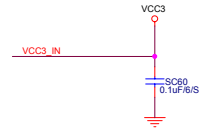
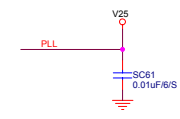
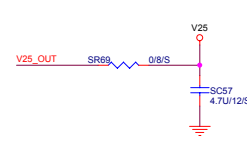
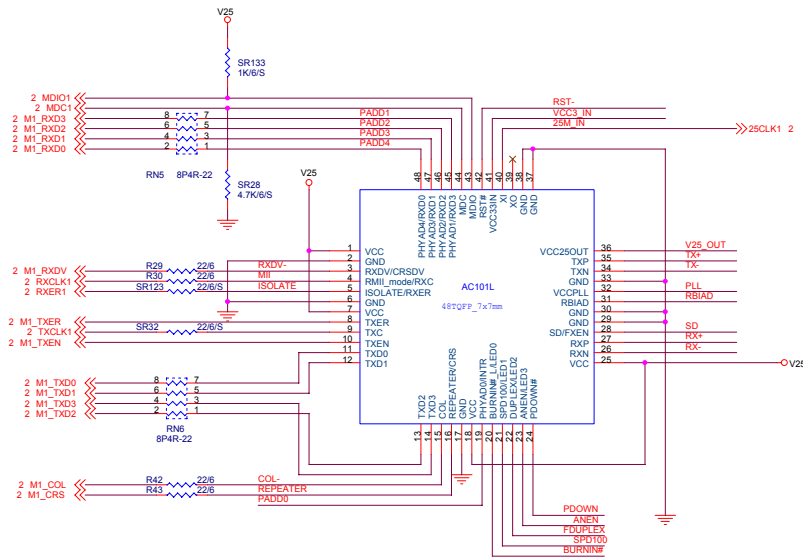


CX82100-41
196FPBGA

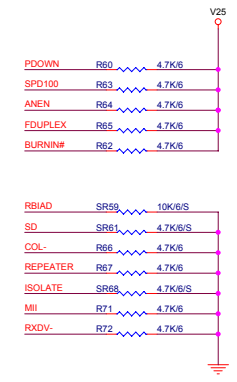
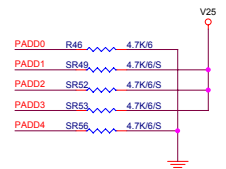


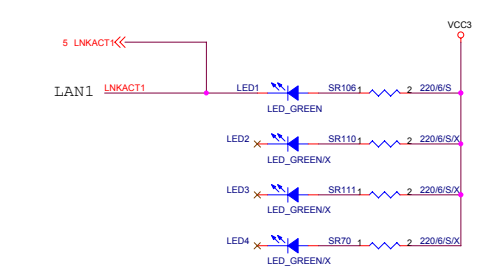
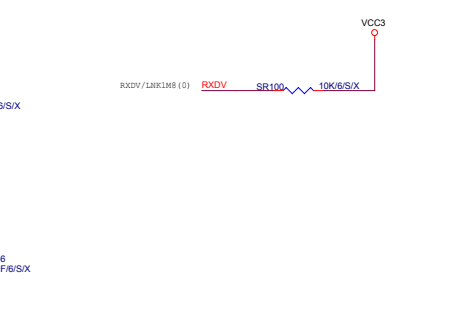
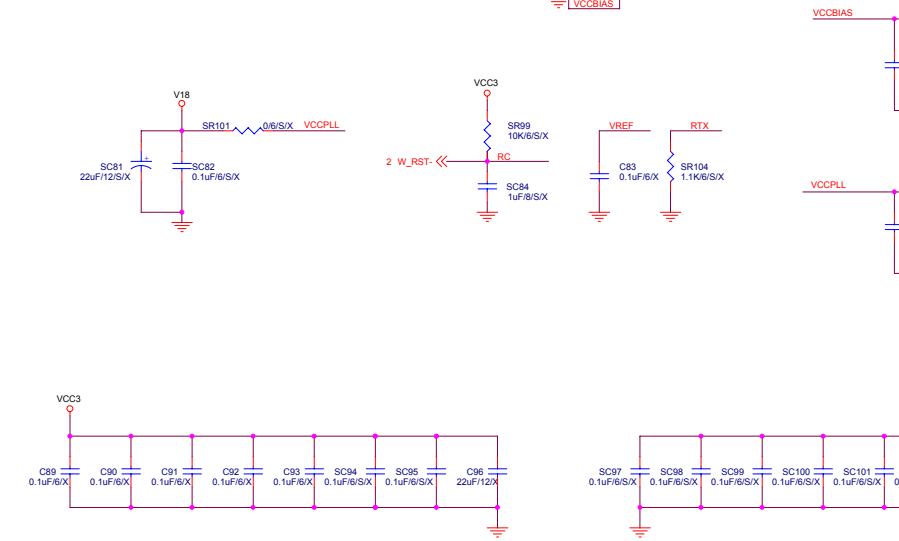
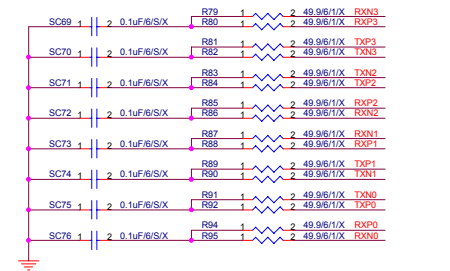
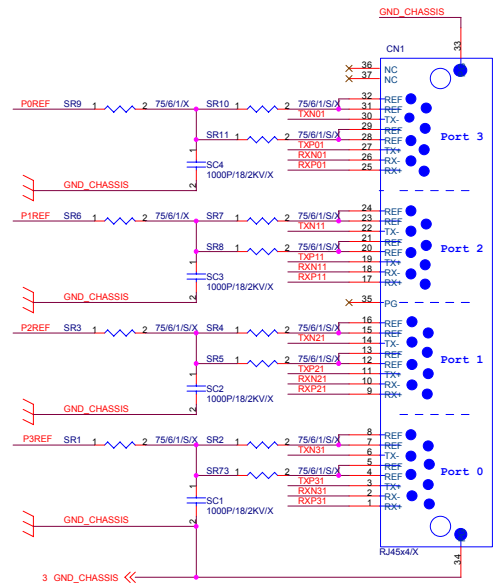
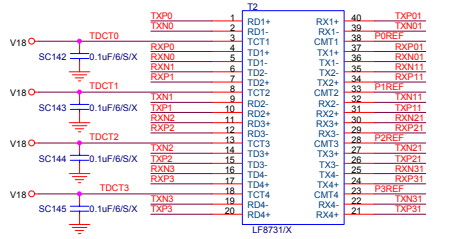
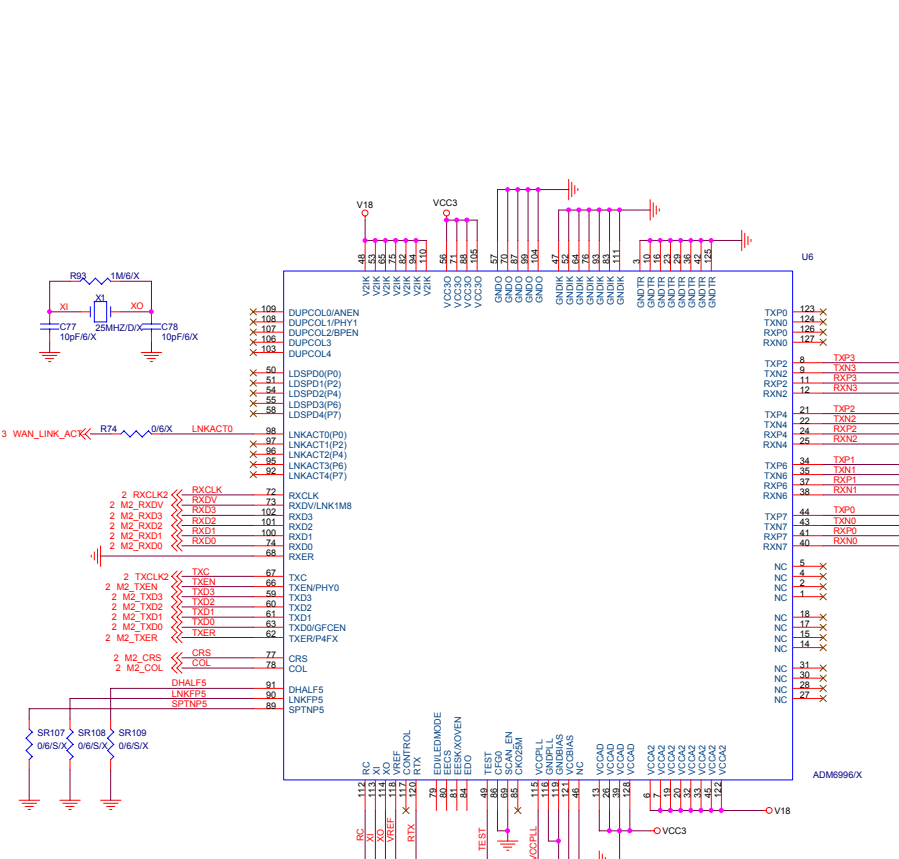
LAYOUT NOTE: PLACE A 470pF IN PARALLEL WITH EACH 0.1uF

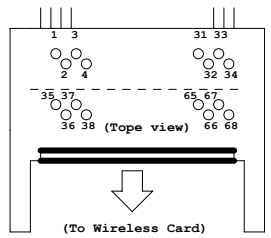
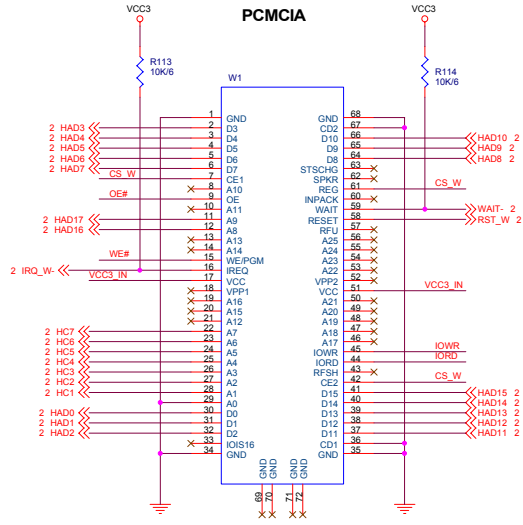
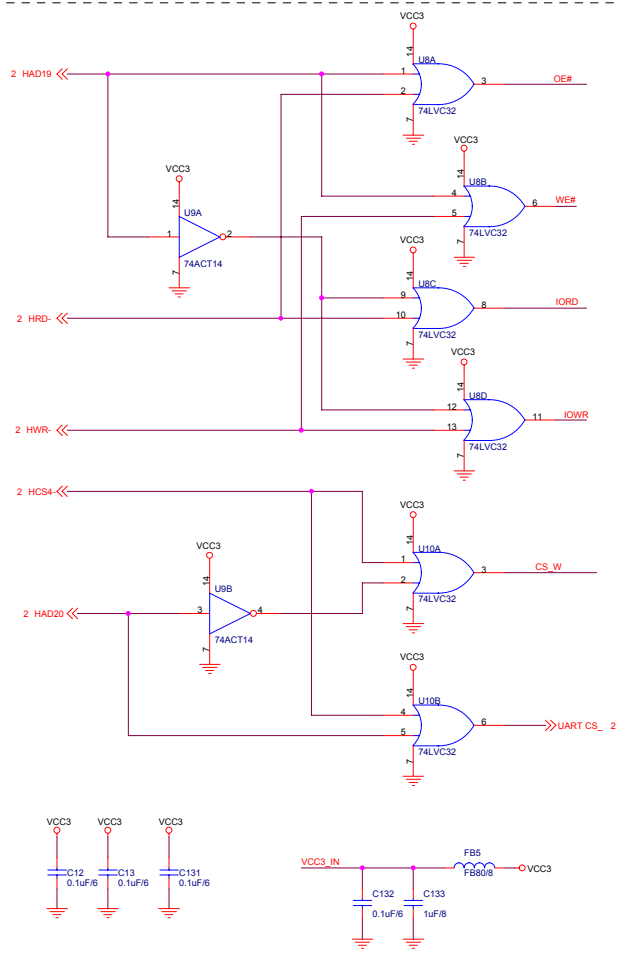




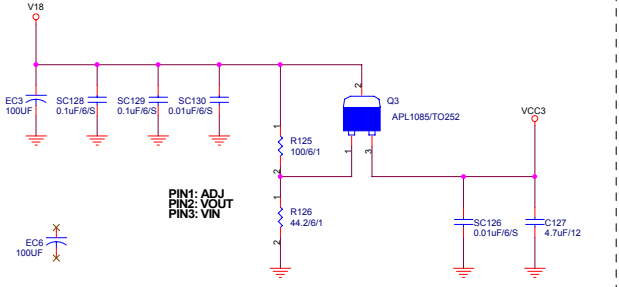
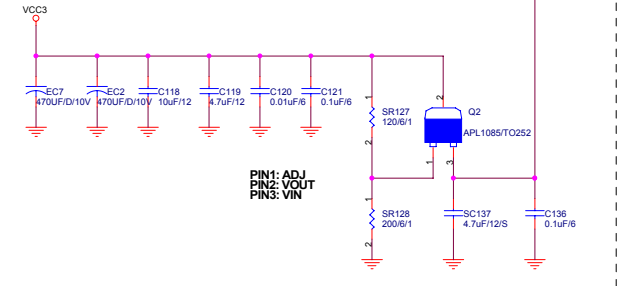
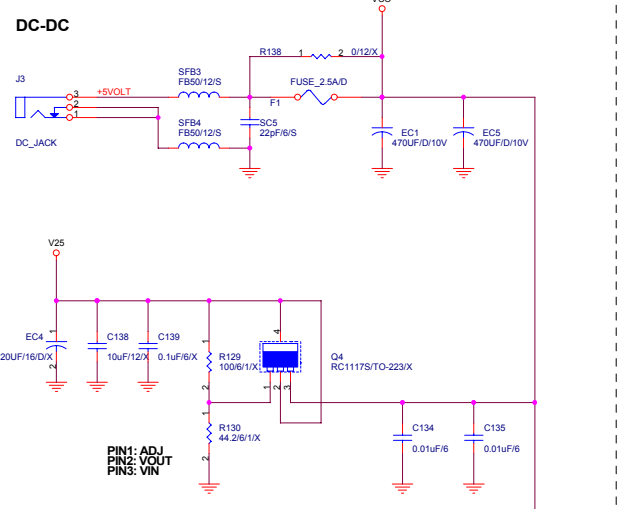
Phy. Address==01110



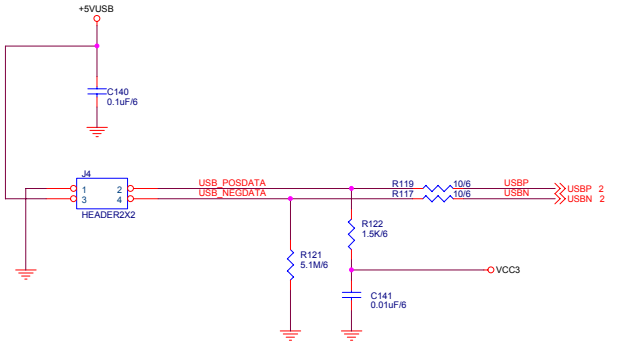




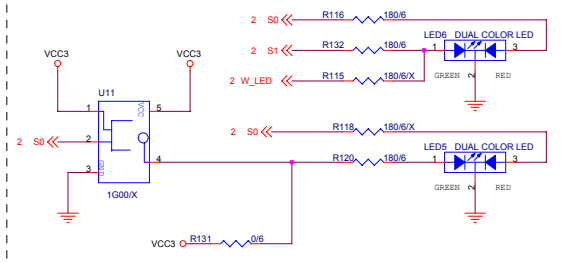
LED



USB Connector



When Router
remove R131,
R115, R116, R124



When AP
remove
U11,
R115, R118