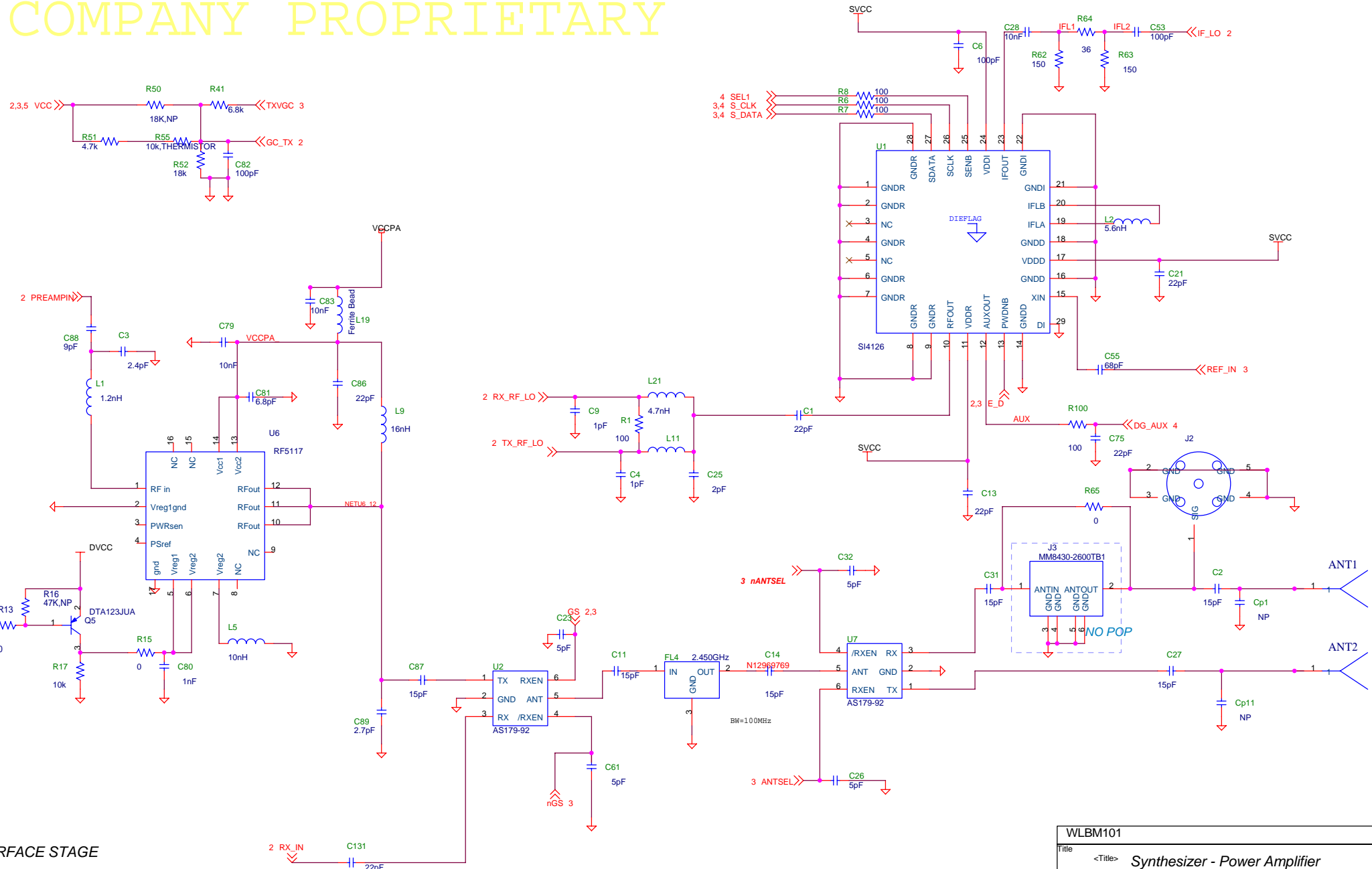
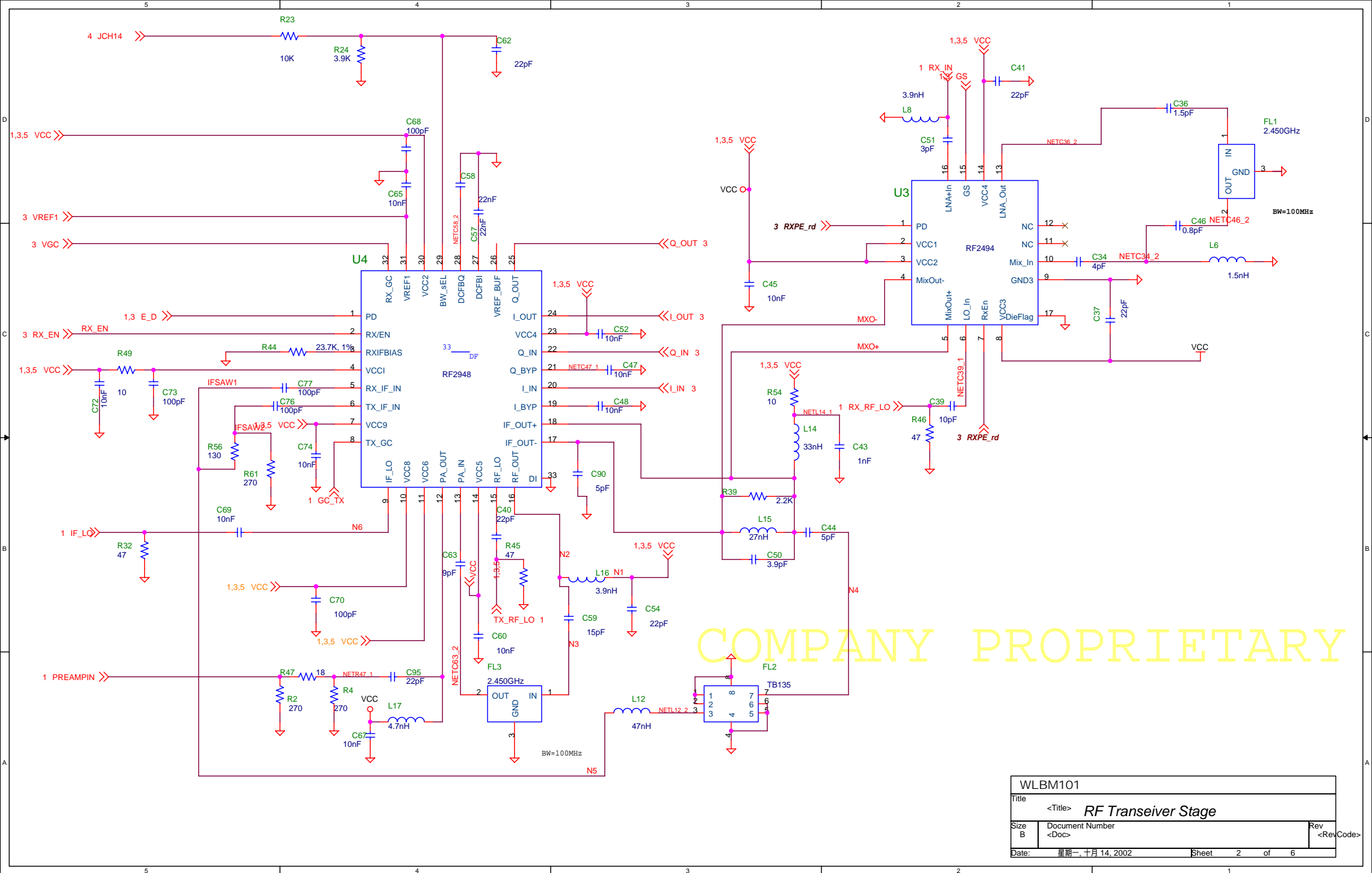


# COMPANY PROPRIETARY



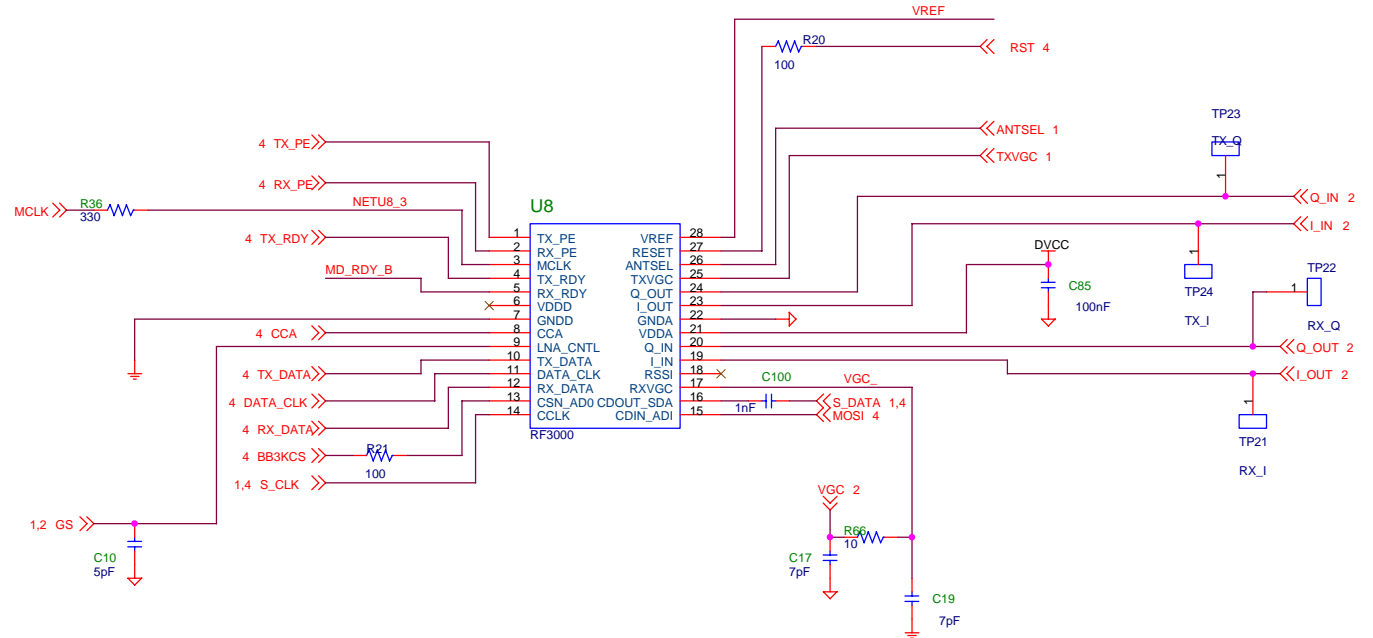
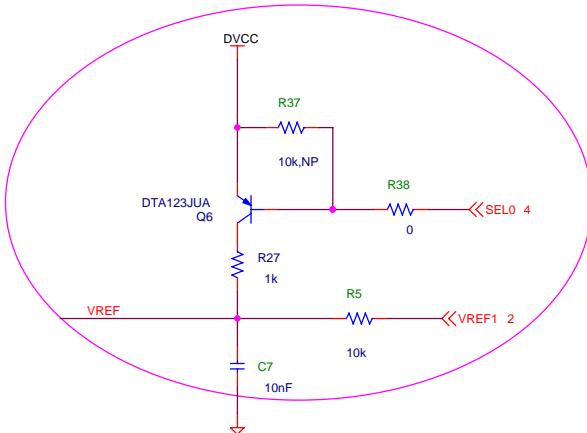
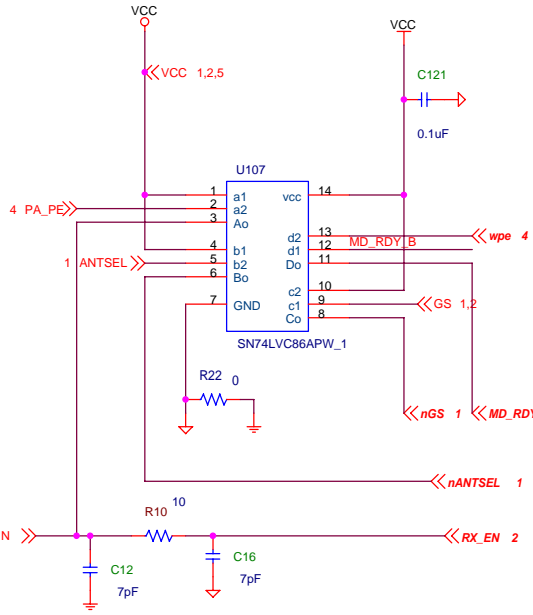
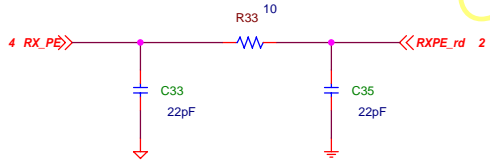
INTERFACE STAGE

WLBM101		
Title <Title> <b>Synthesizer - Power Amplifier</b>		
Size	Document Number Custom	Rev <RevCode>
Date:	星期一, 十月 14, 2002	Sheet 1 of 6

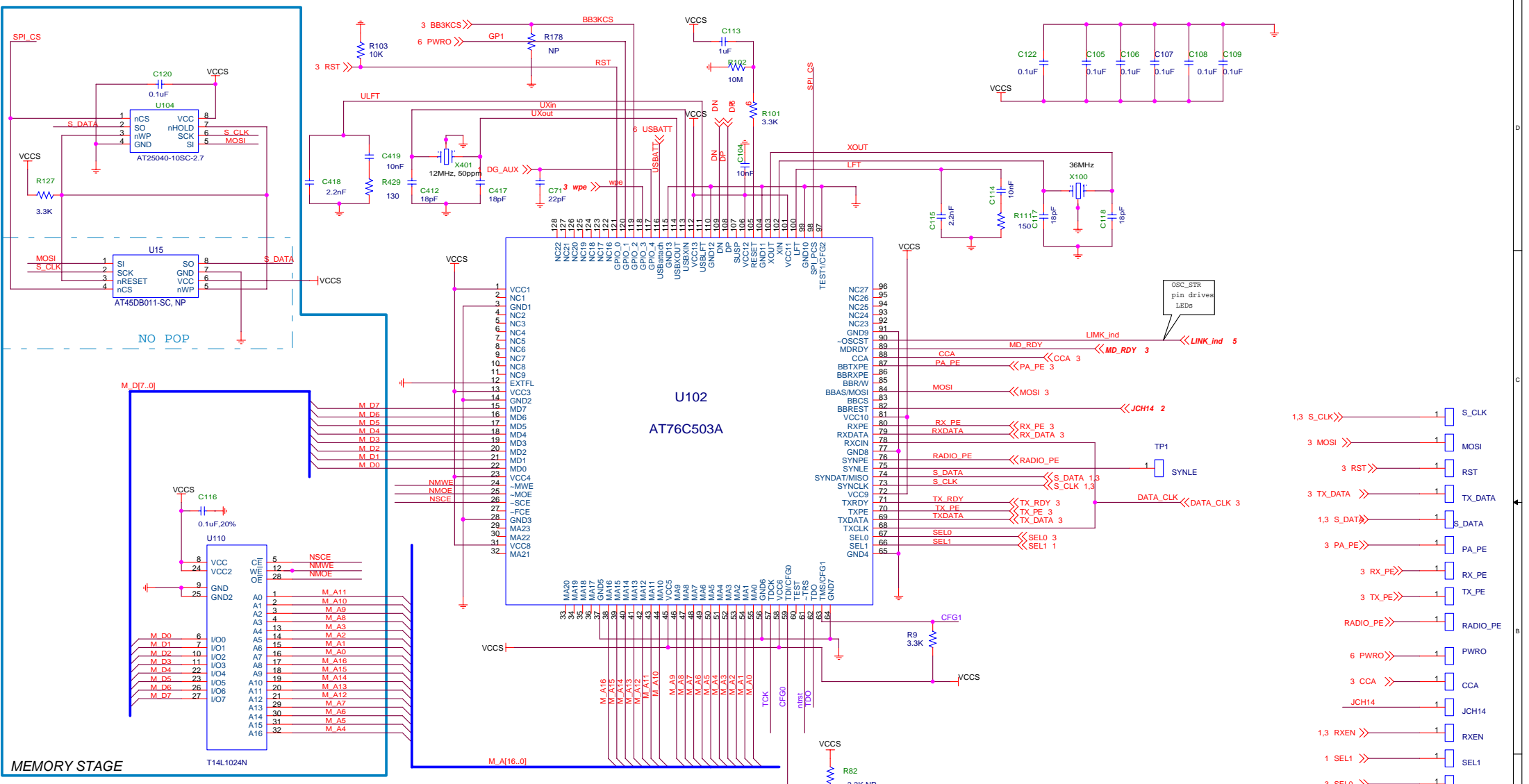


WLB101	
Title <Title> RF Transceiver Stage	
Size B	Document Number <Doc> Rev <RevCode>
Date: 星期一, 十月 14, 2002	Sheet 2 of 6

# COMPANY PROPRIETARY



WLB101		
Title	<Title> <b>Baseband Stage</b>	
Size	Document Number Custom	Rev <RevCode>
Date:	星期一, 十月 14, 2002	Sheet 3 of 6

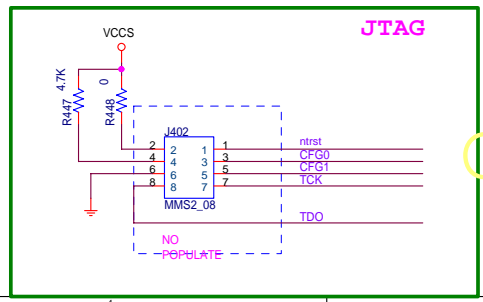


NO POP

MEMORY STAGE

**TABLE 1**  
MAC General Configuration

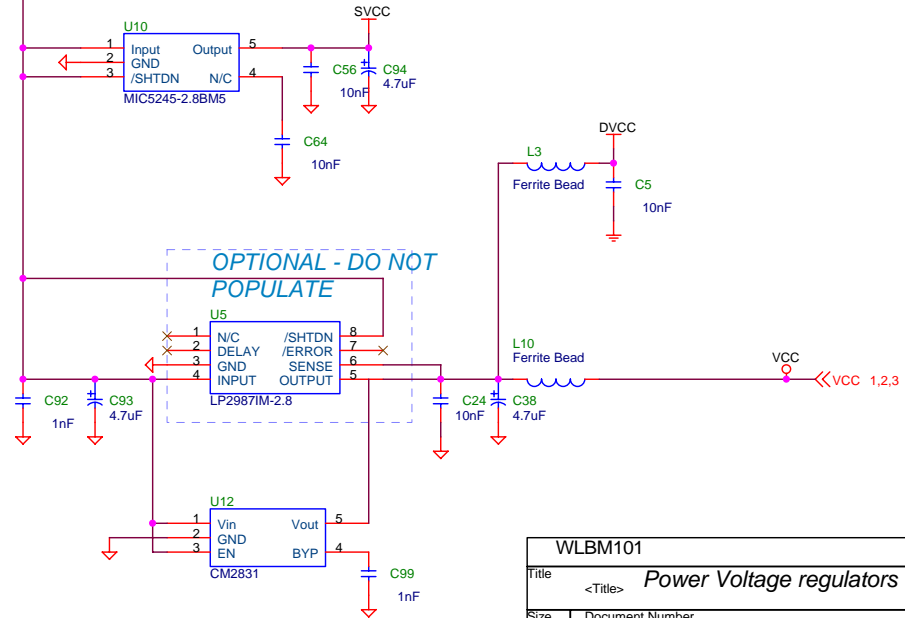
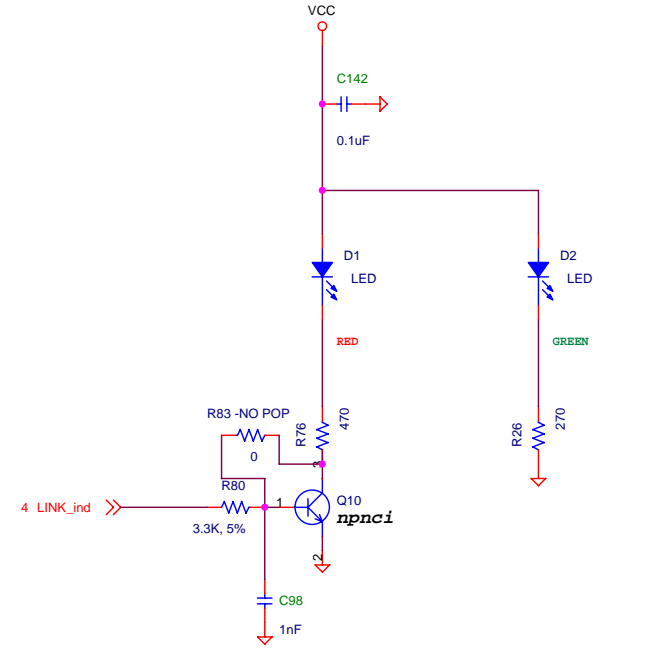
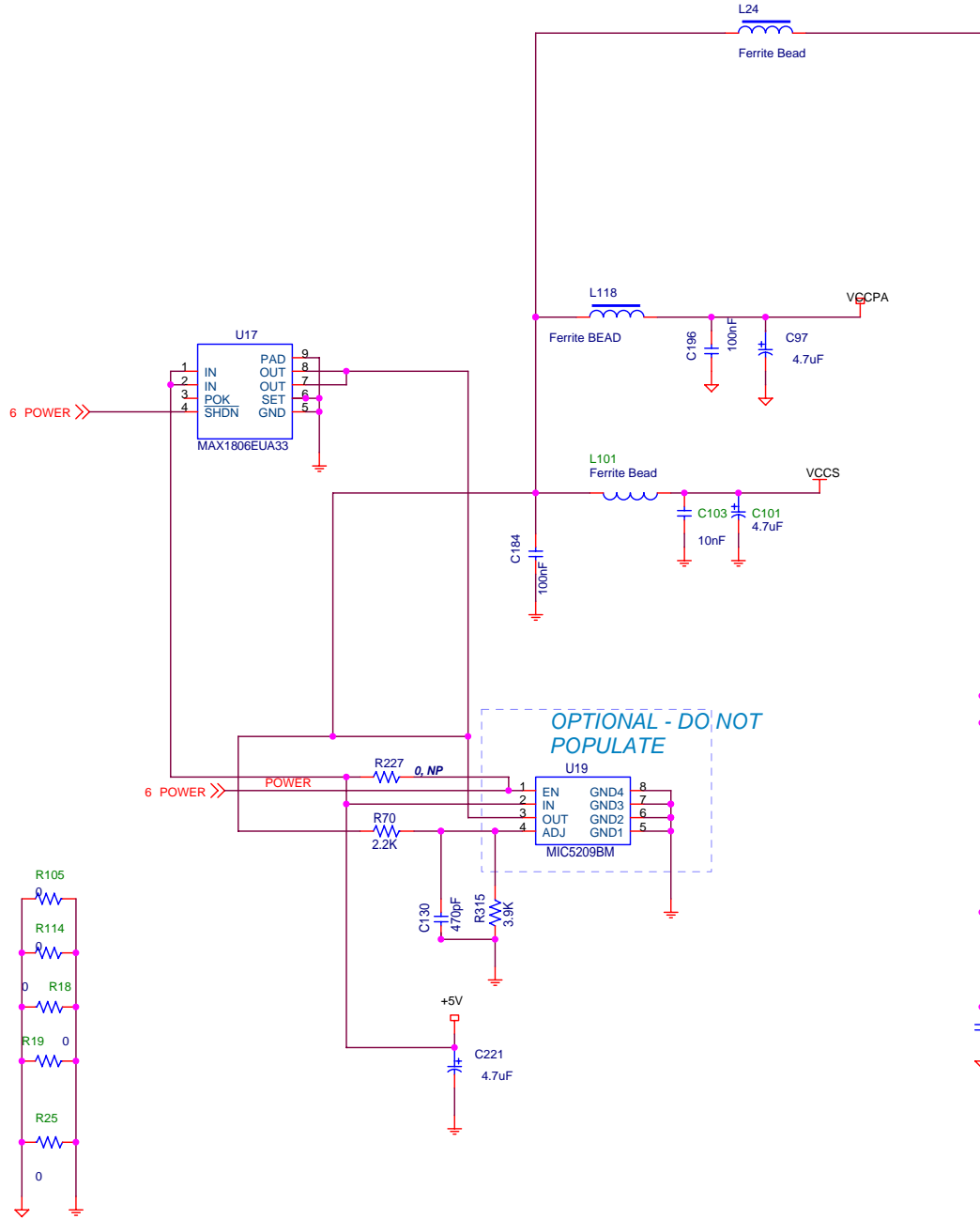
EXTFL	0	Internal ROM Configuration
	1	External Flash Configuration
CFG1 (TMS)	00	No serial Device, No USB oscillator
	01	No serial Device, USB osc. present
	10	Serial EEPROM present
	11	Serial FLASH present



COMPANY PROPRIETARY

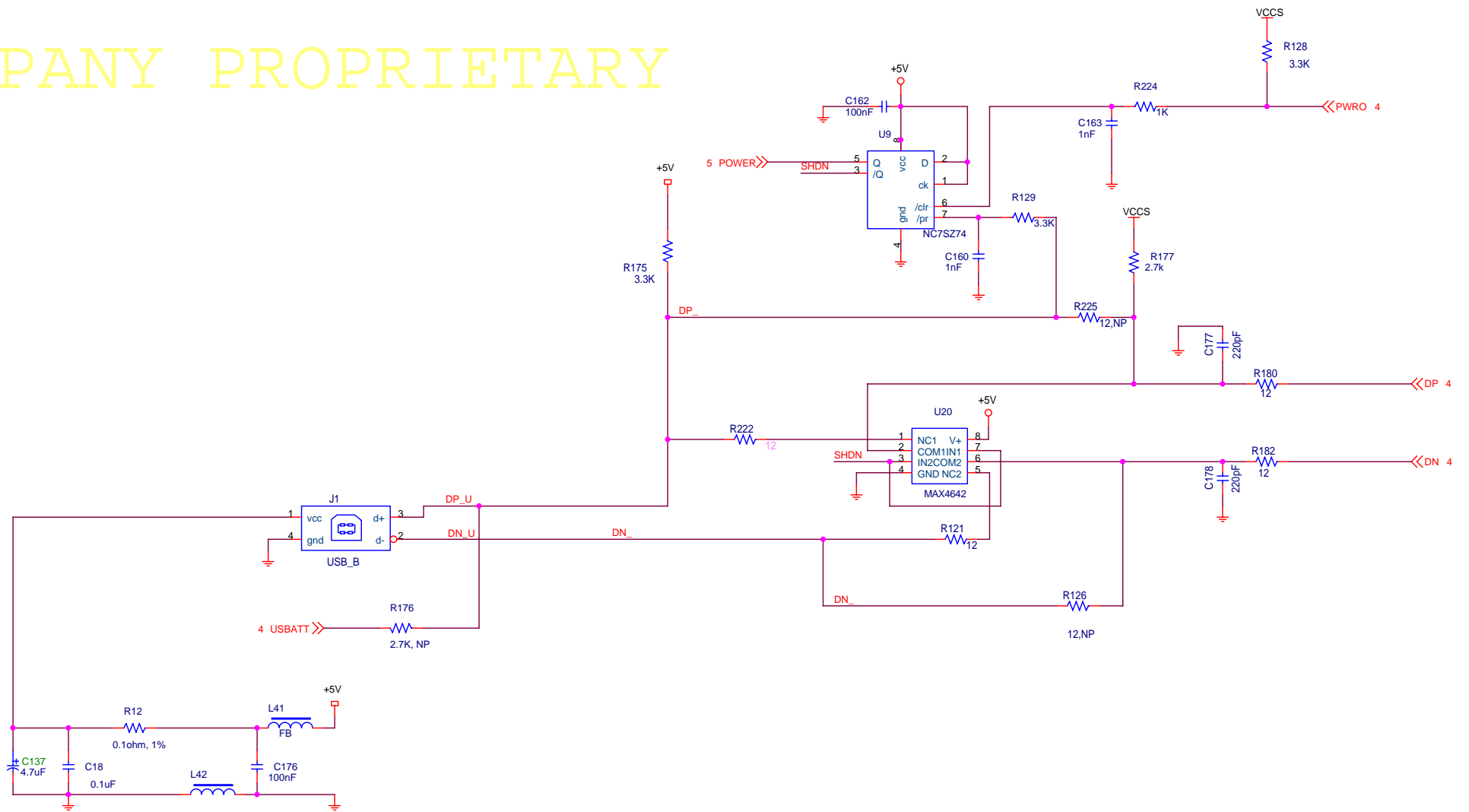
WLB101	
Title	<Title> <b>MAC Controller -Digital Part</b>
Size	Document Number
Code	Custom
Date:	星期一, 十月 14, 2002
Sheet	4 of 6
Rev	<Rev Code>

# COMPANY PROPRIETARY



WLB101		
Title	Power Voltage regulators	
Size	Document Number	Rev
	Custom	<Rev Code>
Date:	星期一, 十月 14, 2002	Sheet 5 of 6

# COMPANY PROPRIETARY



WLB101		
Title <Title> SUSPEND CIRCUIT & USB INTERFACE		
Size B	Document Number <Doc>	Rev <Rev Code>
Date:	星期一, 十月 14, 2002	Sheet 6 of 6