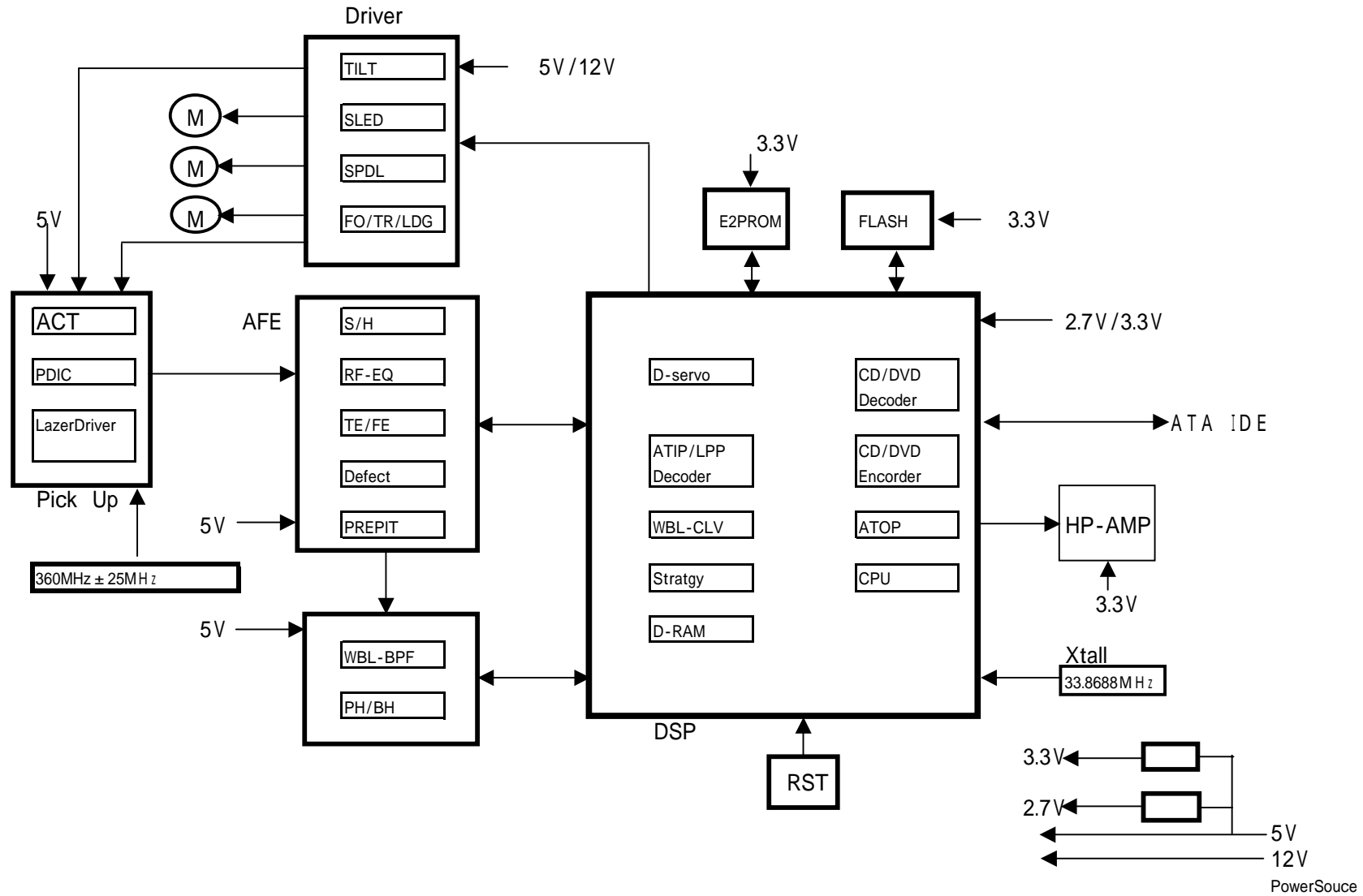


FCC ID: JBQCDR032
 MODEL No. CRD - BPDV3 Block Diagram



F C C I D : J B Q C D R 0 3 2

CRD - BPDV3 BLOCK DIAGRAM
[Computer Internal]

