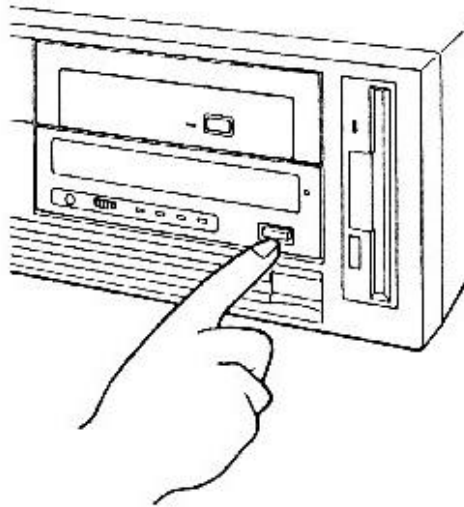


Operation

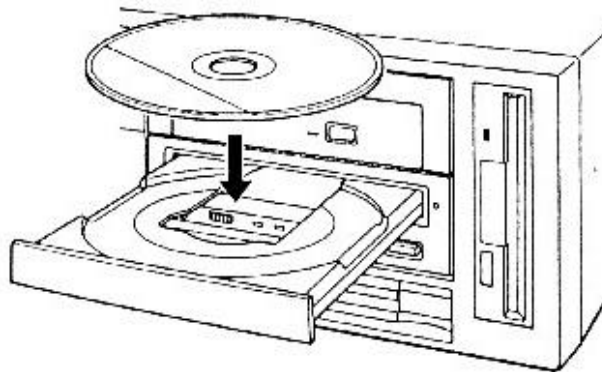
Before using the CD-RW drive check that the CD-R drive's device driver has been installed on the personal computer.

Loading Discs

1. Turn on the power of the personal computer on which the CD-RW drive is installed.
2. Press the EJECT button. The disc tray opens.



3. Load the disc in the center of the disc tray, with the printed side facing up.



4. Press the EJECT button. The disc tray closes.
5. Play the disc. The READ indicator flashes while the TOC (table of contents) is being read, then turns off. The indicator lights during playback.
Record data on the disc. The WRITE indicator lights while data is being recorded.

Operation

Removing Discs

1. Check that all the indicators are off.
2. Press the EJECT button to open the disc tray.
3. Remove the disc.
4. Press the EJECT button to close the disc tray.

Removing Discs in Emergencies

Use the following procedure to forcibly remove a disc should the EJECT button not function due to power failure or software problems.

1. Get a steel paper clip or the like.
Straighten the paper clip.
2. Insert the paper clip into the emergency eject hole and push in with force. The disc tray pops out.
3. Pull the disc tray out and remove the disc.
4. Push the disc tray back in.

