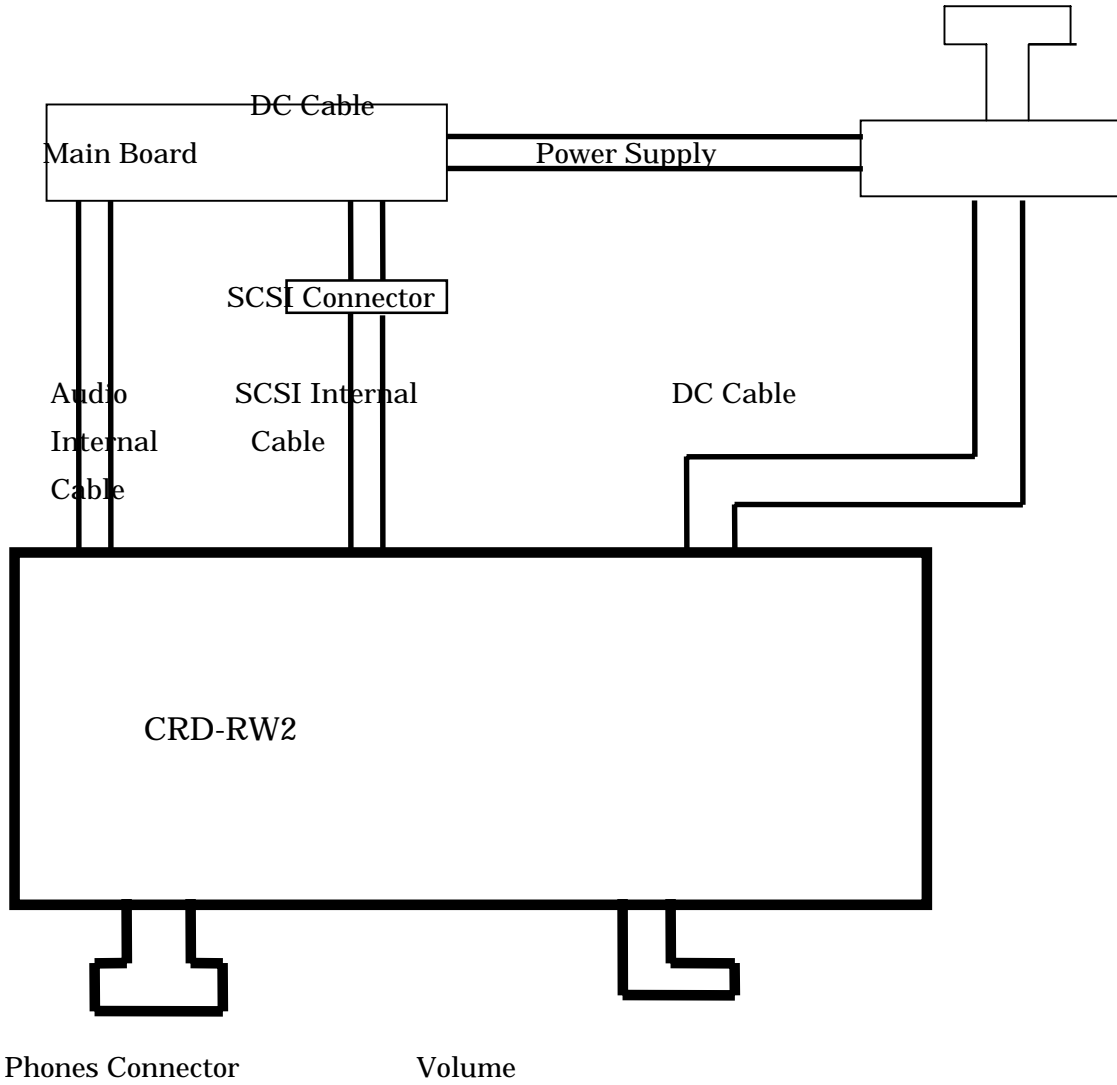


D RW

AC INLET



# FCC ID: JBQCDR018

## CRD-RW2 BLOCK DIAGRAM

