

DWG NO.	30-D8690	SH	1	REV	A B
REVISIONS					
REV	DESCRIPTION	DATE	APPROVED		
A	INITIAL RELEASE	-----	-----		
B					

NOT TO BE USED, COPIED, REPRODUCED IN WHOLE OR IN PART, NOR ITS CONTENTS REVEALED IN ANY MANNER TO OTHERS WITHOUT THE EXPRESS WRITTEN PERMISSION OF QUALCOMM.

THIS TECHNICAL DATA MAY BE SUBJECT TO U.S. EXPORT, RE-EXPORT OR TRANSFER ("EXPORT") LAWS. DIVERSION CONTRARY TO U.S. LAW IS PROHIBITED.

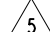
QUALCOMM IS A REGISTERED TRADEMARK AND REGISTERED SERVICE MARK OF QUALCOMM INCORPORATED. OTHER PRODUCT AND BRAND NAMES MAY BE TRADEMARKS OR REGISTERED TRADEMARKS OF THEIR RESPECTIVE OWNERS.

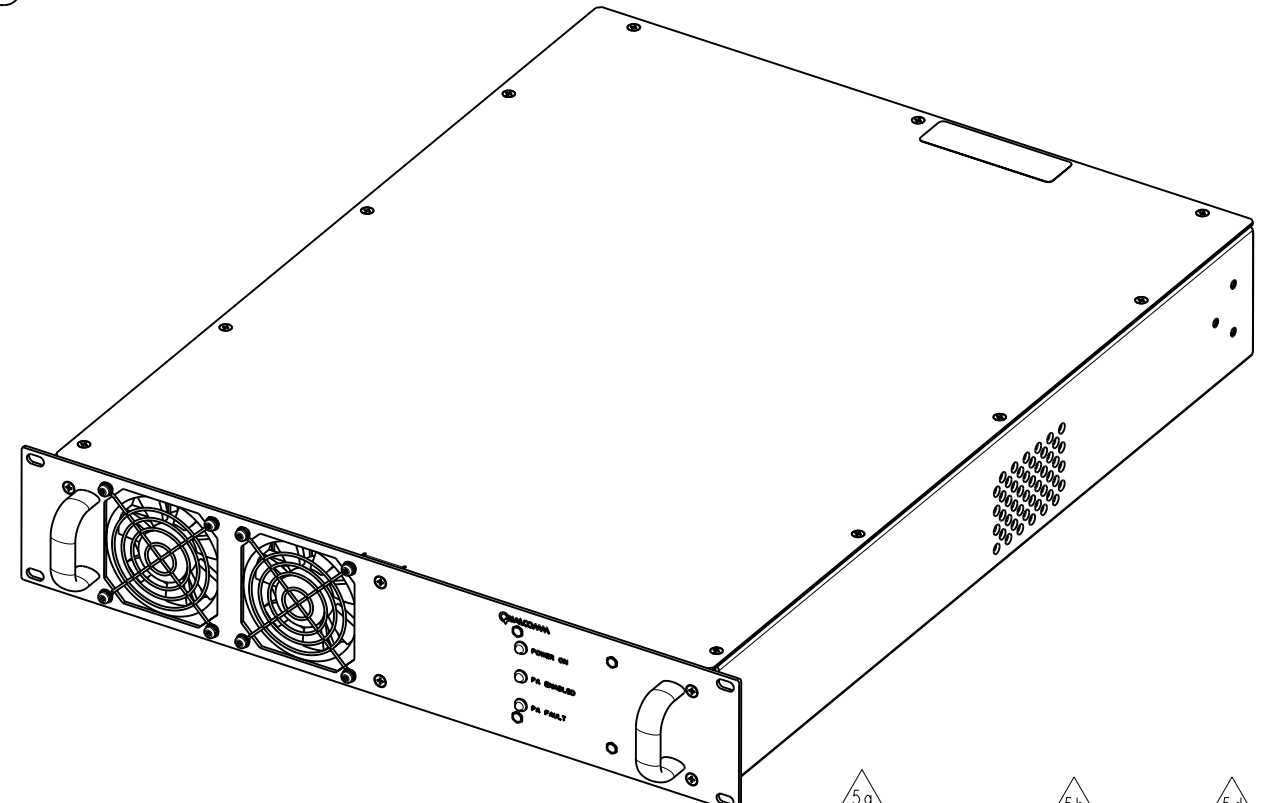
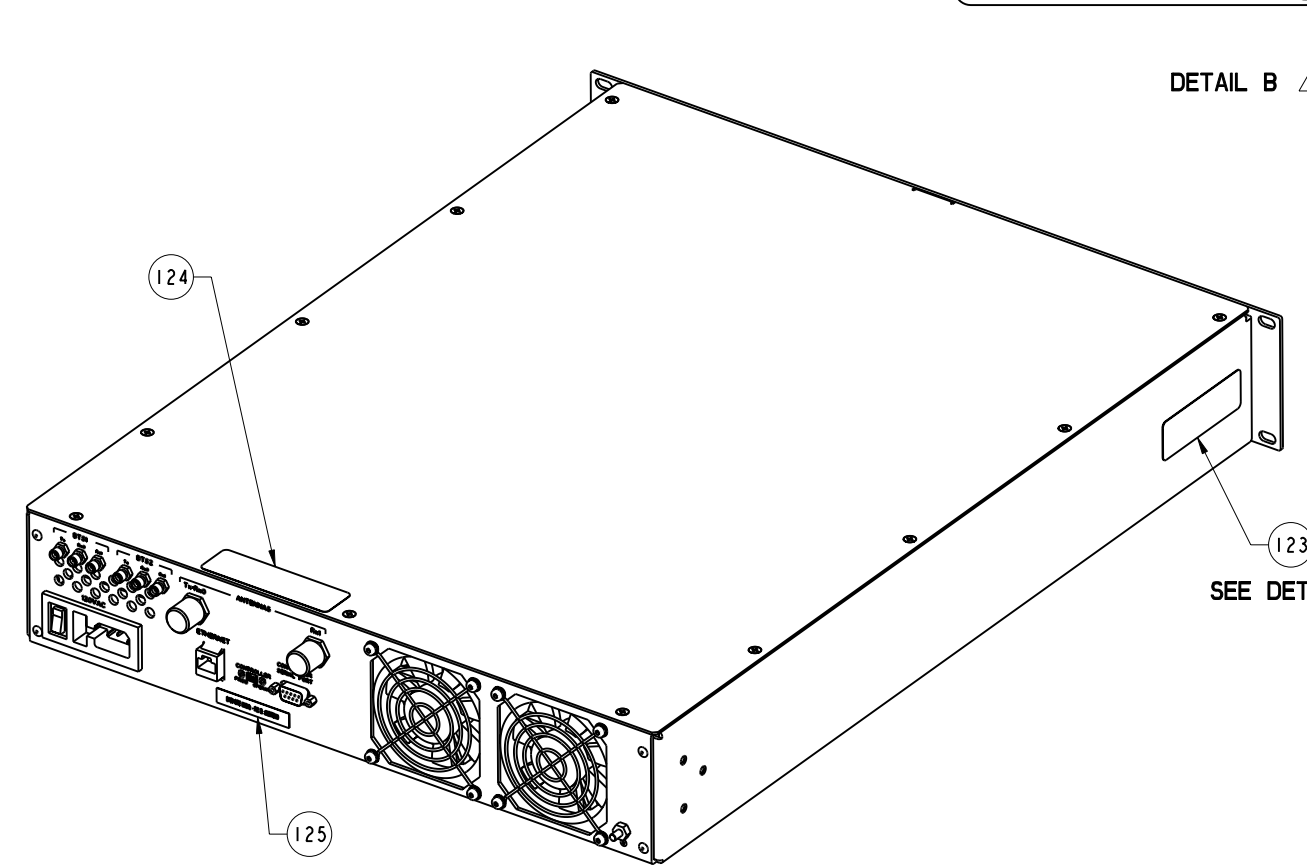
QUALCOMM

EV-DO RFFE ASSY
 30-D8690-□ REV A / □
 VOLTAGE: 120 VAC
 FREQUENCY: 60 Hz
 CURRENT: 3.0 A
 ASSEMBLED IN USA

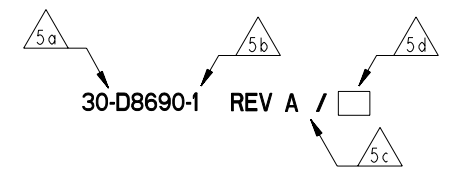
This device complies with Part 15 of the FCC rules. Operation is subject to the following two conditions:
 (1) This device may not cause harmful interference, and
 (2) This device must accept any interference received, including interference that may cause undesired operation.

UL LISTED
 I.T.E.
 E77283

DETAIL B  

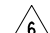
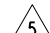


- 1 SHOWN
- 2 SAME AS -1 EXCEPT AS NOTED IN PARTS LIST



DETAIL A
 MARKING CONTENT

MODEL INFORMATION		
CAD TOOL: PRO/ENGINEER		
NAME	REVISION	VERSION
30-D8690-1	A	28
SEE SEPARATE PARTS LIST 30-D8690-1, -2		

-  6 FABRICATE REGULATORY LABEL USING ITEM 123 AND LOCATE APPROXIMATELY WHERE SHOWN. SEE DETAIL B FOR MARKING CONTENT.
-  5 PERMANENTLY IDENTIFY AS 30-D8690 AND APPROPRIATE DASH NO. AND REV LETTER OF DWG/PL USING ITEM 123. MARKING SHALL HAVE .06 TO .16 HIGH CHARACTERS. LOCATE APPROXIMATELY WHERE SHOWN. SEE DETAIL A FOR MARKING CONTENT.

- a. PART NUMBER
- b. APPROPRIATE DASH NUMBER
- c. DRAWING REVISION LEVEL
- d. PARTS LIST REVISION LEVEL PER APPROPRIATE REQUIRED DOCUMENT LIST (RDL)


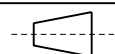
- 4. WORKMANSHIP SHALL BE IN ACCORDANCE WITH QUALCOMM MECHANICAL WORKMANSHIP STANDARD 80-10767-1. ELECTRICAL WORKMANSHIP SHALL BE IN ACCORDANCE WITH QUALCOMM SPECIFICATION 80-W0034-1.
- 3. INTERPRET DIMENSIONS AND TOLERANCES PER ASME Y14.5M-1994.
- 2. ALL DIMENSIONS SHOWN ON THIS DRAWING ARE IN INCHES.
- 1. INTERPRET DRAWING PER ASME Y14.100.

NOTES: UNLESS OTHERWISE SPECIFIED.

- 8. USE CABLE TIES, ITEM 134, AND CABLE TIE MOUNTS, ITEM 135, AS REQUIRED.
- 7. FOR INTERCONNECT DIAGRAM SEE IC10-D8690-1.

QUALCOMM CONFIDENTIAL AND PROPRIETARY
 COPYRIGHT (C) 2007
 QUALCOMM INCORPORATED ALL RIGHTS RESERVED

INCHES ONLY

THIRD ANGLE PROJECTION	
	
UNLESS OTHERWISE SPECIFIED	
DIMENSION UNITS ARE AS NOTED/PER NOTE 2 AND APPLY AFTER SURFACE TREATMENT	
TOLERANCES	
MM	INCHES
X ±2.5	.I ±.1
X.X ±0.76	.XX ±.03
X.XX ±0.25	.XXX ±.010
ANGULAR	
EXCL OF SHEET METAL FLANGES ±0°30'	
HOLE DIAMETERS	
0.34 - 6.35	+0.13 -0.03 .013 - .250
6.37 - 12.70	+0.15 -0.03 .251 - .500
12.72 - 25.40	+0.25 -0.03 .501 - 1.000
	+0.10 - .001

CONTRACT NO.	NONE	DATE	5/23/07
DRW D. SCHWERSENSKY	CHK REOD SIG ON FILE	DATE	5/23/07
ENG	P.E.	MFG	
5775 MOREHOUSE DRIVE SAN DIEGO, CA 92121-1714, U.S.A			
TITLE ASSEMBLY, CHASSIS, EVDO RFFE			
SIZE	D	CAGE CODE	IDN14
DRAWING NO	30-D8690	REV	X 15
SCALE	1/2	SHEET	1 OF 3

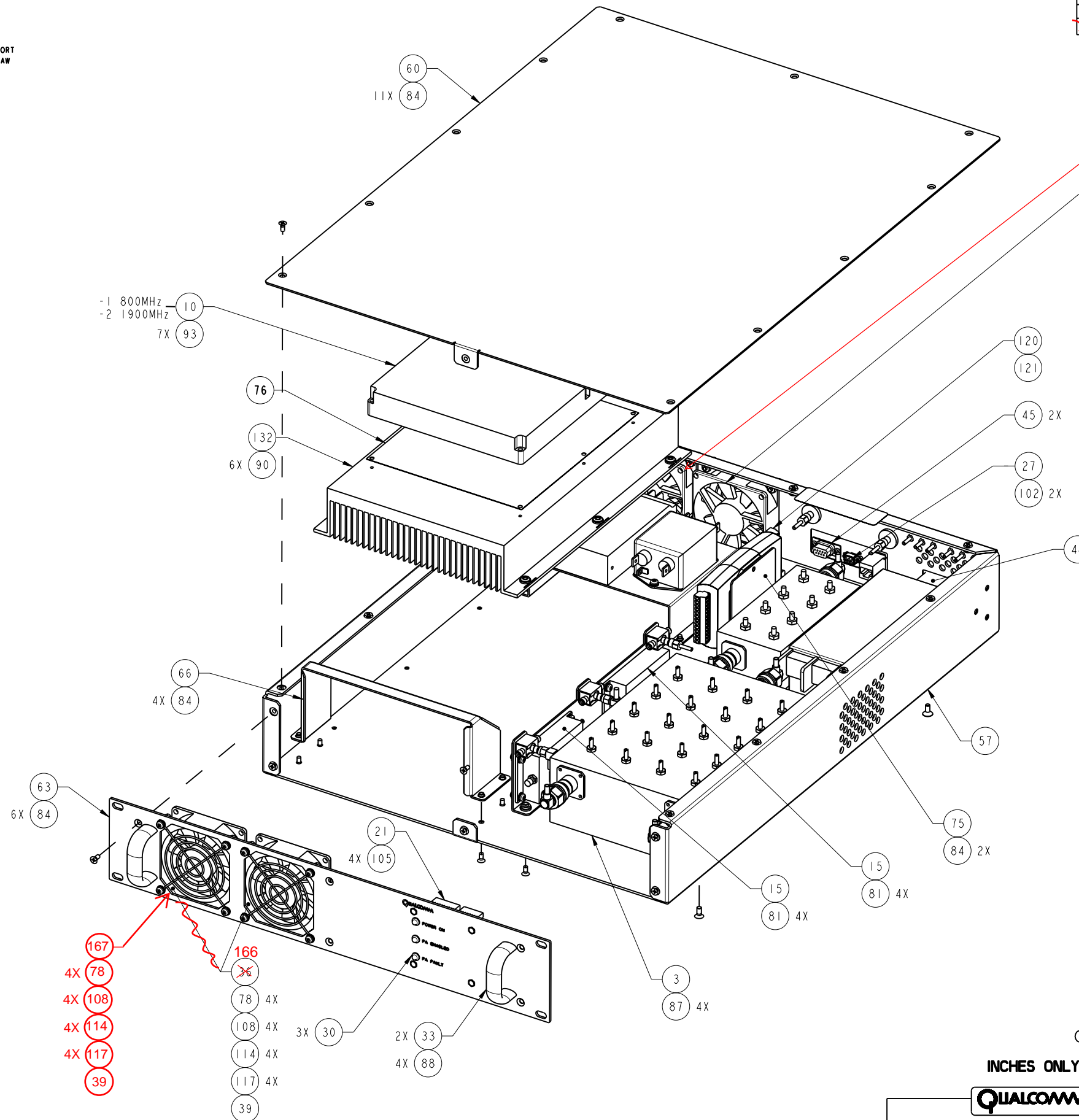
NAME:MDAFFARA OBJECT:30-D8690_1 DATE:28-Jun-07 11:38:43

DWG NO.	30-D8690	SH	2	REV	A B
REVISIONS					
REV	DESCRIPTION	DATE	APPROVED		
A	SEE SHEET 1	---	-----		
B					

NOT TO BE USED, COPIED, REPRODUCED IN WHOLE OR IN PART, NOR ITS CONTENTS REVEALED IN ANY MANNER TO OTHERS WITHOUT THE EXPRESS WRITTEN PERMISSION OF QUALCOMM.

THIS TECHNICAL DATA MAY BE SUBJECT TO U.S. EXPORT, RE-EXPORT OR TRANSFER ("EXPORT") LAWS. DIVERSION CONTRARY TO U.S. LAW IS PROHIBITED.

QUALCOMM IS A REGISTERED TRADEMARK AND REGISTERED SERVICE MARK OF QUALCOMM INCORPORATED. OTHER PRODUCT AND BRAND NAMES MAY BE TRADEMARKS OR REGISTERED TRADEMARKS OF THEIR RESPECTIVE OWNERS.



QUALCOMM CONFIDENTIAL AND PROPRIETARY

INCHES ONLY

COPYRIGHT (C) 2007
QUALCOMM INCORPORATED ALL RIGHTS RESERVED

QUALCOMM		SIZE	CAGE CODE	DRAWING NO	REV	VER
5775 MOREHOUSE DRIVE SAN DIEGO, CA 92121-1714, U.S.A.		D	IDN14	30-D8690	A B	15
SCALE 1/2		SHEET 2 OF 3				

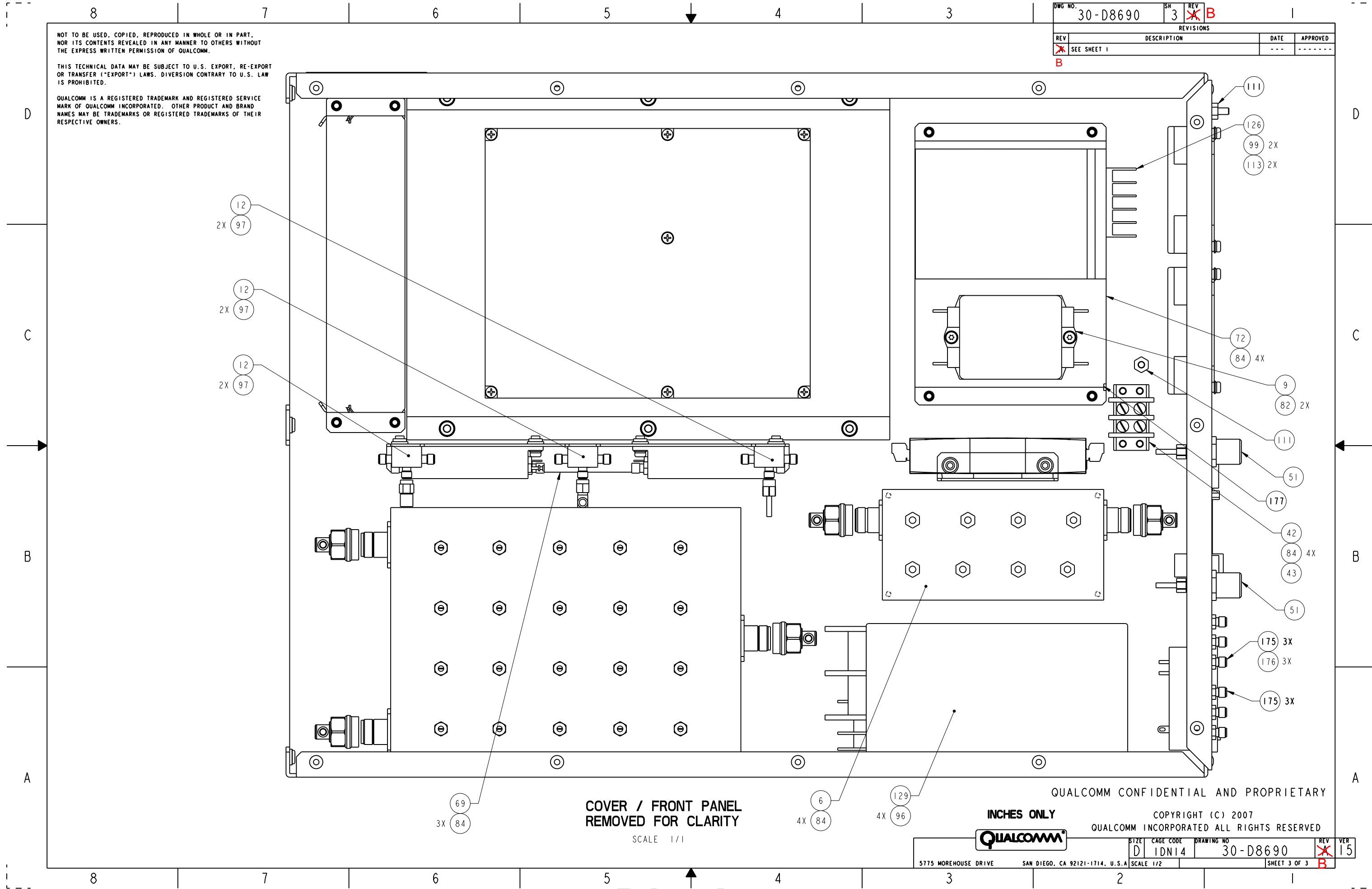
NAME:MDAFFARA OBJECT:30-D8690_2 DATE:28-Jun-07 11:38:52

DWG NO.	30-D8690	SH	3	REV	A B
REVISIONS					
REV	DESCRIPTION	DATE	APPROVED		
A	SEE SHEET 1	---	---	---	
B					

NOT TO BE USED, COPIED, REPRODUCED IN WHOLE OR IN PART, NOR ITS CONTENTS REVEALED IN ANY MANNER TO OTHERS WITHOUT THE EXPRESS WRITTEN PERMISSION OF QUALCOMM.

THIS TECHNICAL DATA MAY BE SUBJECT TO U.S. EXPORT, RE-EXPORT OR TRANSFER ("EXPORT") LAWS. DIVERSION CONTRARY TO U.S. LAW IS PROHIBITED.

QUALCOMM IS A REGISTERED TRADEMARK AND REGISTERED SERVICE MARK OF QUALCOMM INCORPORATED. OTHER PRODUCT AND BRAND NAMES MAY BE TRADEMARKS OR REGISTERED TRADEMARKS OF THEIR RESPECTIVE OWNERS.



COVER / FRONT PANEL
REMOVED FOR CLARITY
SCALE 1/1

QUALCOMM CONFIDENTIAL AND PROPRIETARY

INCHES ONLY

COPYRIGHT (C) 2007
QUALCOMM INCORPORATED ALL RIGHTS RESERVED

QUALCOMM		SIZE	CAGE CODE	DRAWING NO	REV	VER
5775 MOREHOUSE DRIVE		D	IDN14	30-D8690	A B	15
SAN DIEGO, CA 92121-1714, U.S.A		SCALE 1/2	SHEET 3 OF 3			

NAME:MDAFFARA OBJECT:30-D8690_3 DATE:28-Jun-07 11:38:57

Released