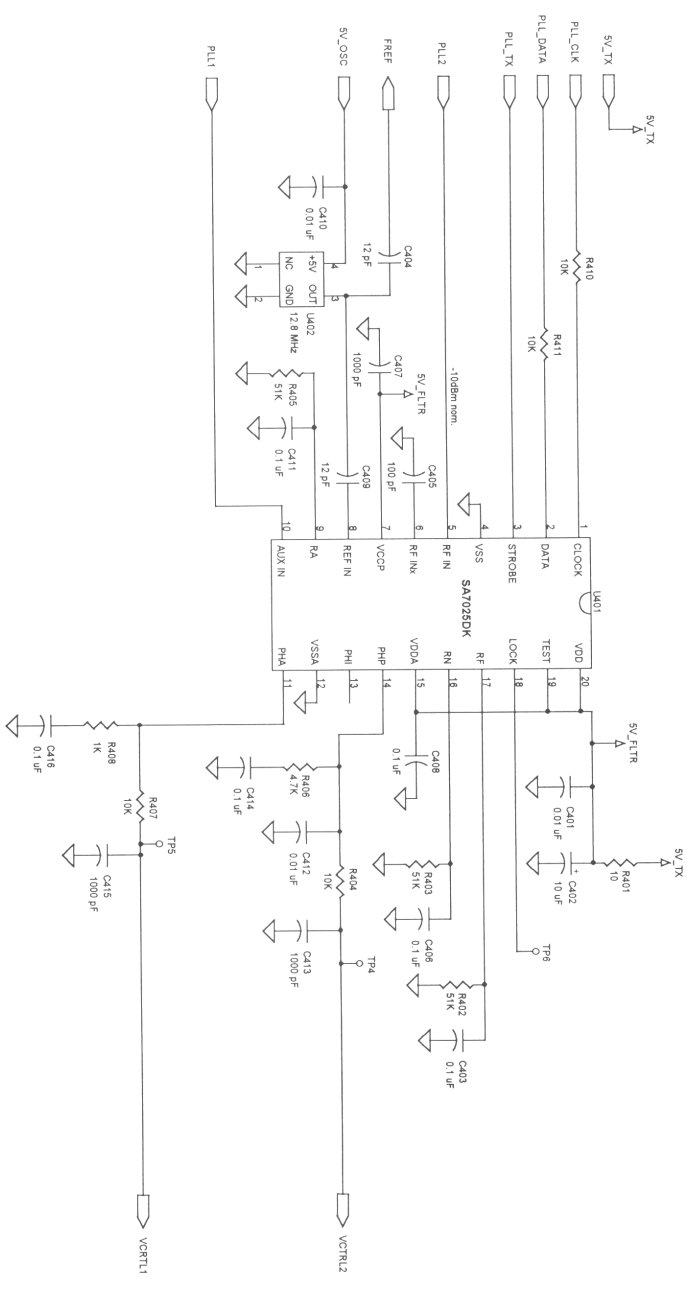
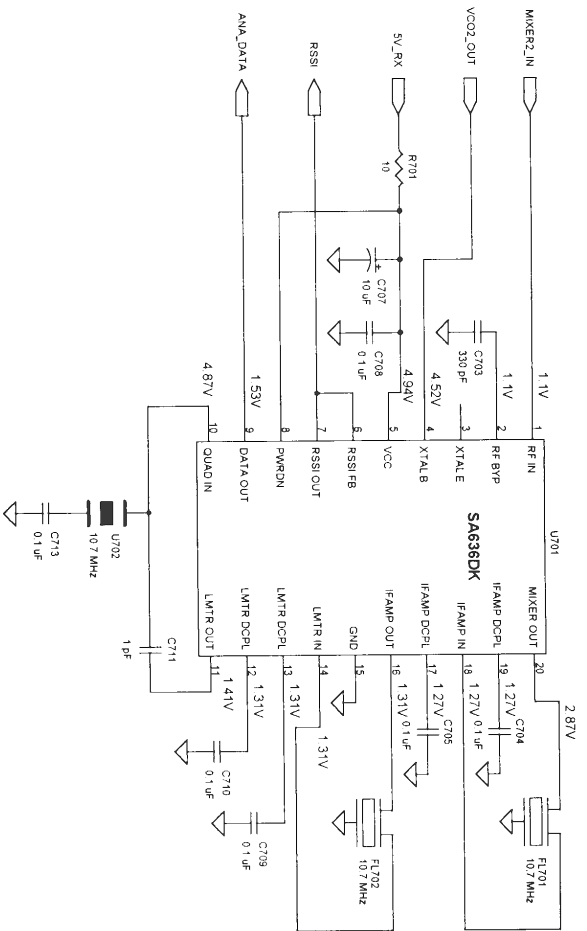


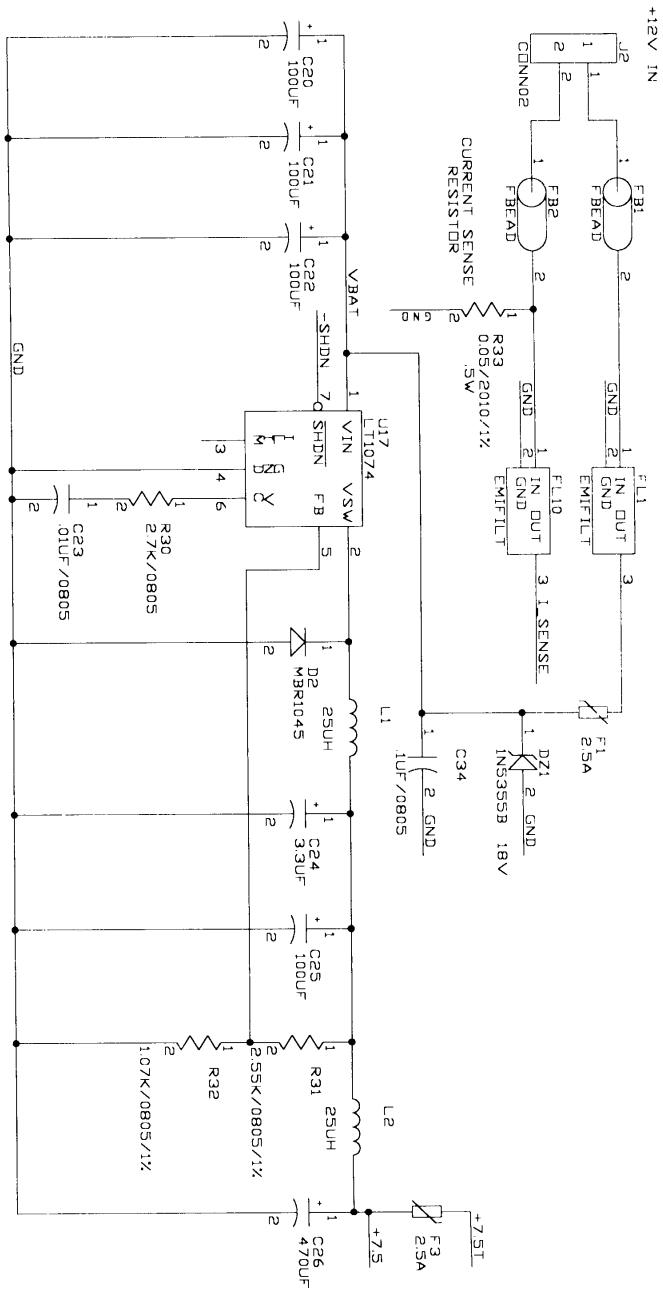
AMERICAN METER COMPANY		Rev
Size	Document Number	1.3
	MURFI RF BOARD- TX UP CONVERTER	
Date	Wednesday November 04, 1998	Sheet
		3 of 4



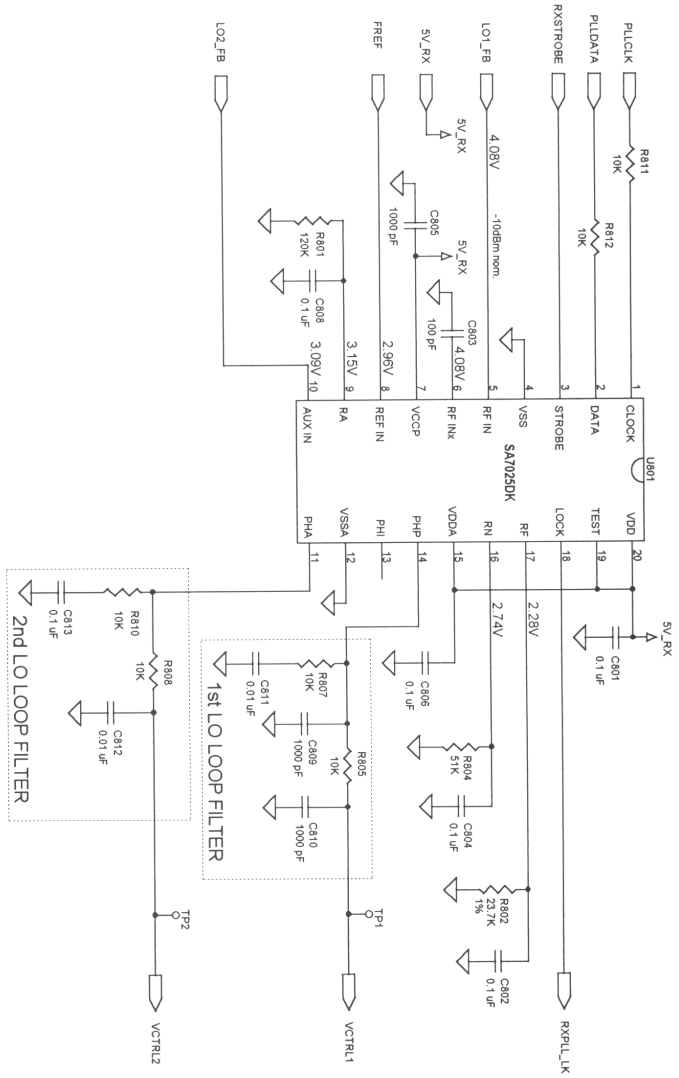
AMERICAN METER COMPANY		Rev
Size	Document Number	1.3
	MURPHI RF BOARD, TX SYNTHESIZER	
Date	Wednesday, November 04, 1998	Sheet
		2 of 4

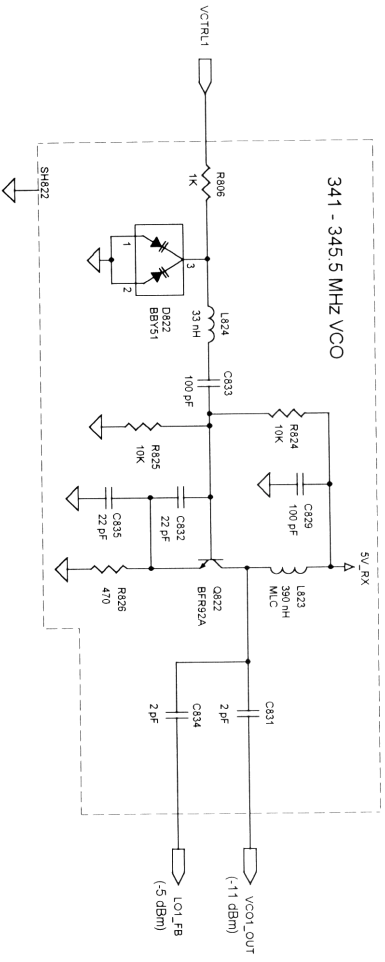
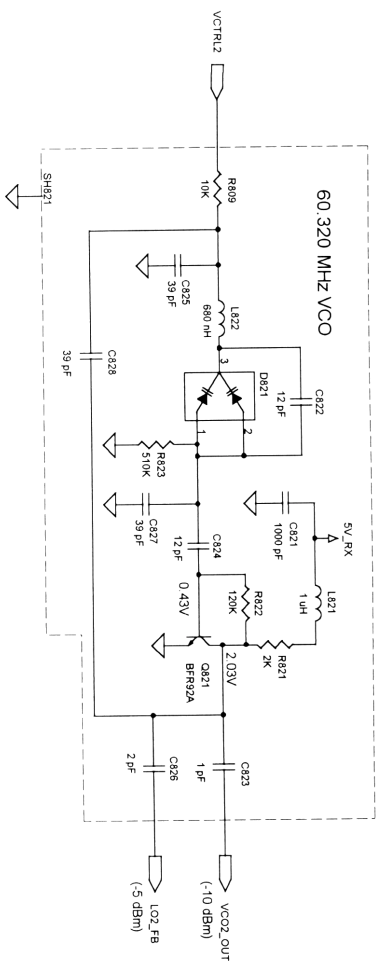


AMERICAN METER COMPANY		Rev
Size	Document Number	1 3
	MURPH RF BOARD: RECEIVER BACK END	
Date	Friday, September 18, 1998	Sheet
		3 of 6



Title	AMERICAN METER CD
Size	SCOTT DEPOT, WV 25560
Document Number	URF POWER SUPPLY
Date	10205G004
	August 27, 1998
	Sheet 2 of 4





AMERICAN METER COMPANY		Rev
Size	Document Number	1.3
	MURPHI RF BOARD: RECEIVER VCOs	
Date:	Friday, September 18, 1998	Sheet 6 of 6