



Installation Sheet for the QUALCOMM Globalstar GIK-1700 Globalstar Installation Kit

1 Precautions for installation

1. This kit should be professionally installed.
2. Turn off the ignition and disconnect the vehicle's battery terminal while installing the kit.
3. Mount the Globalstar Installation Kit (GIK) so it does not interfere with normal driving operations and is not exposed to hot air from the vehicle's heater.
4. Do not install the kit directly over any type of electrical or connecting wire or pipeline for fuel, oil, or air conditioning.
5. Do not place objects in the area over the air bag or in the air bag deployment area. Serious injury could result.
6. The kit is designed for vehicles with a negative ground 12 volt electrical system only. Other supply voltages or polarities could damage the equipment.
7. Use only the cables included in the kit to connect the exterior antenna to the kit, and only the supplied fuses for wiring.
8. After installation, check that the antenna cable and external antenna cable do not interfere with the operation of the car in any way. Make sure all of the cables operate properly.
9. After installation, make sure that all the components are secured and do not shift when the vehicle is moving or stopped.

When connecting the leads on the antenna cable:

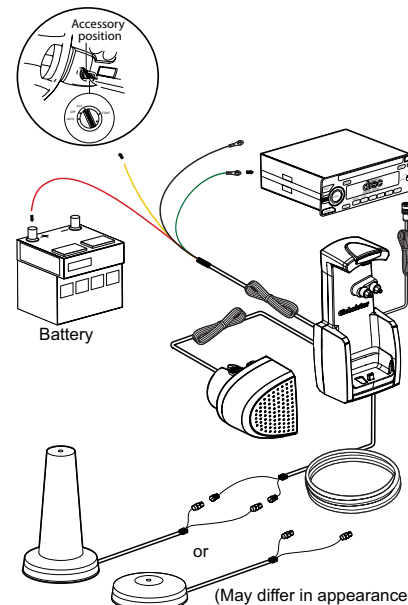
1. Make sure you do not drill through anything under the car.
2. Connect the red and then the yellow power input leads only after all other leads are connected.
3. Make firm connections.

2 How the components fit together

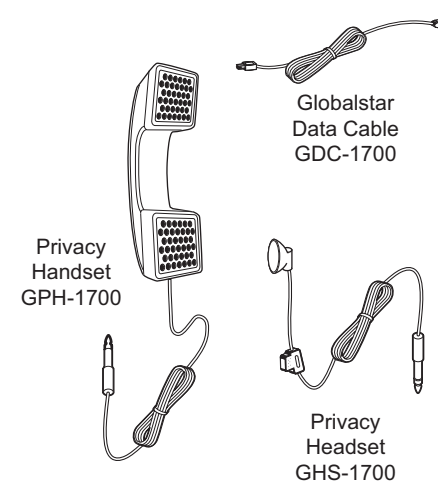


See the *QUALCOMM Globalstar GIK-1700 Globalstar Installation Kit User Manual* for a list of components.

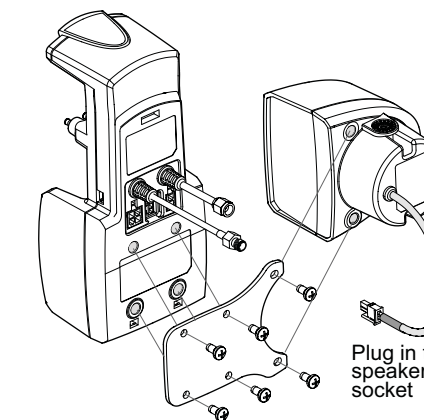
Globalstar Installation Kit Standard Components



Globalstar Installation Kit Optional Accessories

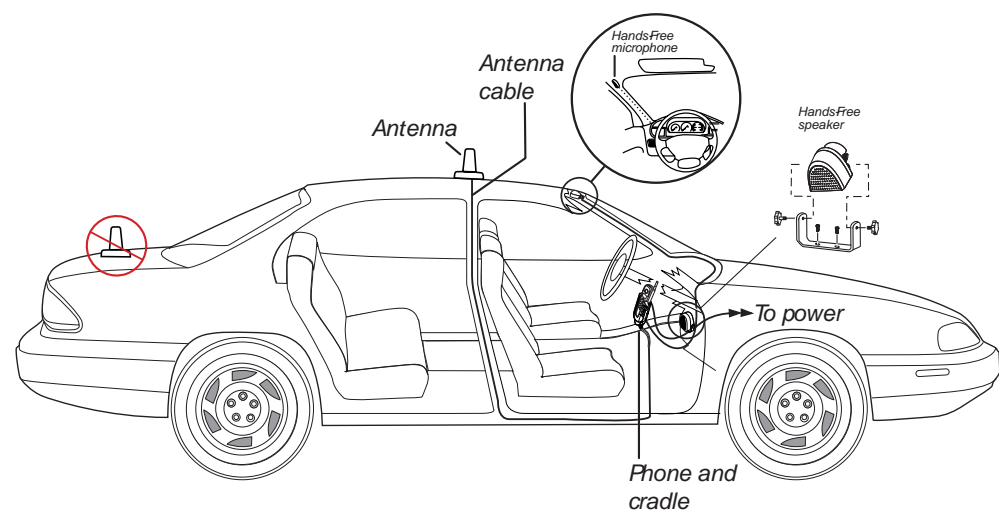


Globalstar Installation Kit Speaker Attachment



Speaker may be mounted on either side of cradle.

3 Where to install the components



The installation of the kit components may vary according to the make and model of the vehicle. The kit may also be installed in maritime vessels. Consult your local dealer for installation instructions.



Caution

Minimum Separation Distance Requirements

The antenna must be installed so as to maintain a 25 cm (10 inch) separation distance between the antenna and the people within or near the vehicle to ensure compliance with the maximum permissible exposure (MPE) requirements. See Step 5 for antenna Minimum Separation Distance Requirements.

4 Connecting the leads on the antenna cable



Caution

Before connecting the antenna cable to the kit, connect the leads first and follow the sequence below.

Whether the vehicle ignition has an ACC position or not, connect:

- Black lead ground (GND) to a clean unpainted metallic part of the vehicle.
- Green lead (STEREO MUTE) to the audio system, if applicable.
- Red lead to the positive terminal of the vehicle battery.
- If the vehicle ignition has an ACC position, connect the yellow lead to the Ignition Sense ACC position.
- If the vehicle ignition does not have an ACC position, connect the yellow lead to the ON position of the ignition (Ignition Sense).
- Connect the microphone and speaker to the kit.
- Connect the antenna cables to the cradle.
- Connect the data cable (not included) to the kit.
- Connect the optional privacy headset to the kit.
- Connect the antenna cable to the kit.



Caution

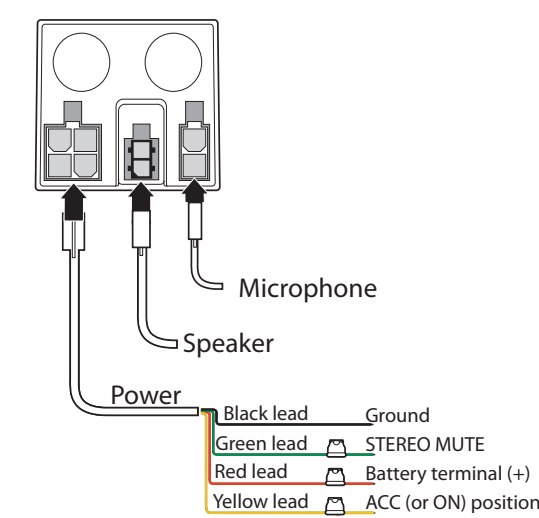
Failure to follow these installation instructions, or bypassing the Ignition Sense, may result in the vehicle battery draining without warning.



Caution

Exceeding the following input voltage and current value causes the power fuse to open, requiring it to be replaced.

- Maximum input voltage is 16.0 volts.
- Maximum input current is 2 A.



549AA_1999Q

5 Mounting the antenna

The antenna is required for satellite communication when the phone is used inside a vehicle. It should be mounted on the roof of the vehicle with an unobstructed view of the sky. You can attach it to the roof of the vehicle using a magnet or a ski rack type mount, or permanently bolt it in place.



Note

Check with your service provider for available antenna mounting options.

When you mount the antenna using a magnet, check the surface of the magnet before you put the antenna on the car. The antenna is not designed for high speed driving, so use moderate speeds if it is mounted on the roof. Be sure that the connector between the antenna and the antenna cable (45-C6162-1) is inside the vehicle.

Be sure to route the antenna cable through the weather strip without pinching it. Use only the antenna cables that come with the kit when connecting the antenna and do not cut or modify the antenna cable.



Caution

It is not recommended that you mount the antenna on the trunk or a lower surface. Performance could be affected by the shadow effect of the car.

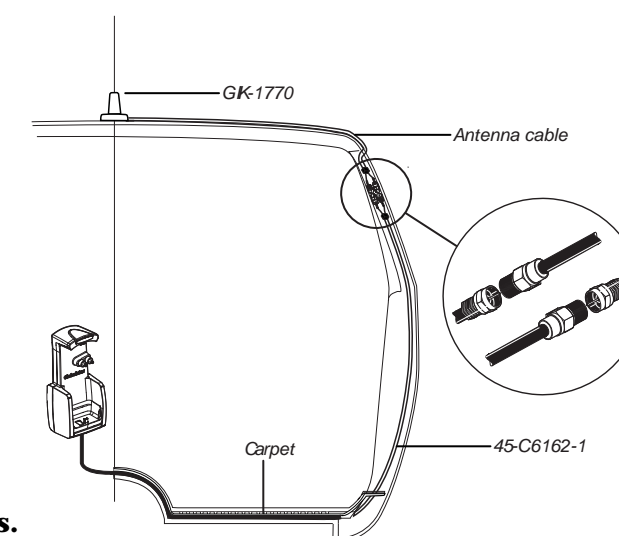


Caution

Minimum Separation Distance Requirements

As discussed in the *GIK-1700 Globalstar Installation Kit User Manual* section on Exposure to Radio Frequency Signals, when the antenna is transmitting it is necessary that at least a 25 cm (10 inch) line-of-sight separation distance be maintained between the antenna and the people within or near the vehicle, above the horizon of the antenna (above and to the side of the antenna).

Maintaining this separation distance will ensure compliance with the maximum permissible exposure (MPE) requirements of the FCC rules and the international standards referenced in the section mentioned above. A 25 cm separation distance is not required below the antenna horizon, inside the vehicle. Mounting the antenna at least 25 cm from the edge of the vehicle roof will satisfy the separation distance requirement under normal use conditions.



441AA_00