

Installation Sheet for the Globalstar GCK-1410 Hands-Free Car Kit

1 Precautions for installation

1. This car kit should be professionally installed.
2. Turn off the ignition and disconnect the vehicle's battery terminal while installing the car kit.
3. Mount the Globalstar Electronic Module (GEM) and cradle so they do not interfere with normal driving operations and are not exposed to hot air from the vehicle's heater.
4. Do not install the car kit directly over any type of electrical or connecting wire or pipeline for fuel, oil, or air conditioning.
5. Do not place objects in the area over the air bag or in the air bag deployment area. Serious injury could result.
6. The car kit is designed for vehicles with a negative ground 12 volt electrical system only. Other supply voltages or polarities could damage the equipment.
7. Use only the cables included in the car kit to connect the Outdoor Unit (ODU) to the cradle and only the supplied fuses for wiring.
8. After installation, check that the car interface cable and external antenna cable do not interfere with the operation of the car in any way. Make sure all of the cables operate properly.
9. After installation, make sure that all the components are secured and do not shift when the vehicle is moving or stopped.

When connecting the leads on the car interface cable:

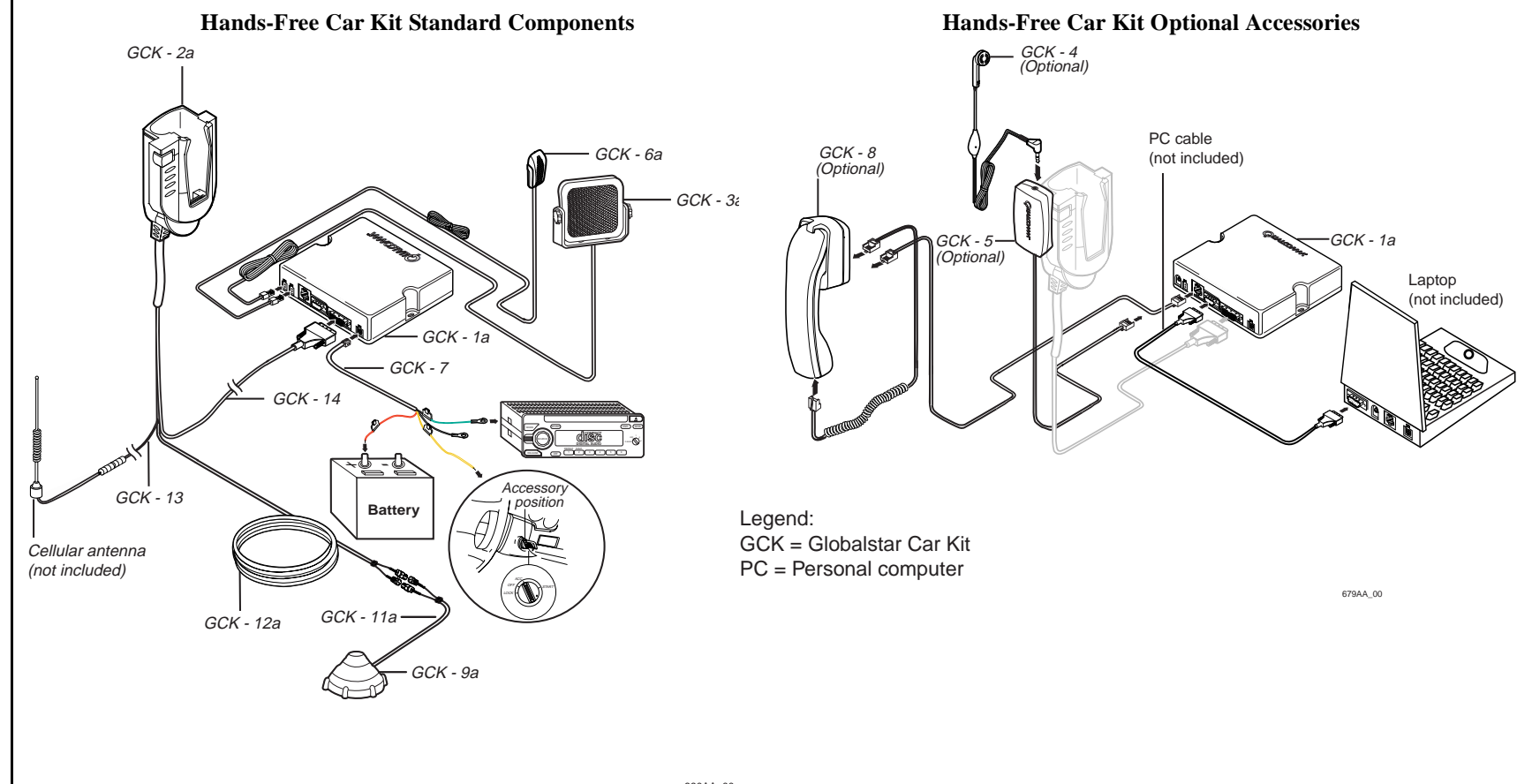
1. Make sure you do not drill through anything under the car.
2. Connect the red and then the yellow power input leads only after all other leads are connected.
3. Make firm connections.

2 How the components fit together

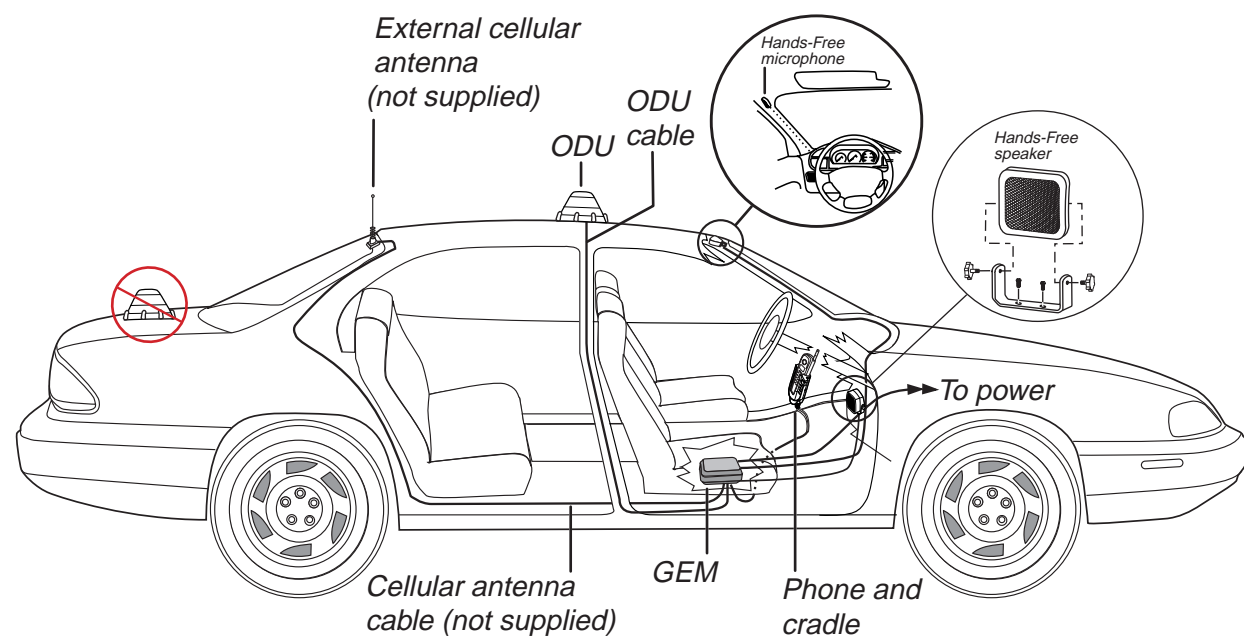


Note

See the QUALCOMM Globalstar GCK-1410 Hands-Free Car Kit User Guide for a list of components.



3 Where to install the components



Note

The installation of the car kit components may vary according to the make and model of the vehicle.

4 Connecting the leads on the car interface cable



Caution

Before connecting the car interface cable to the GEM, connect the leads first and follow the sequence below.

Whether the vehicle ignition has an ACC position or not, connect:

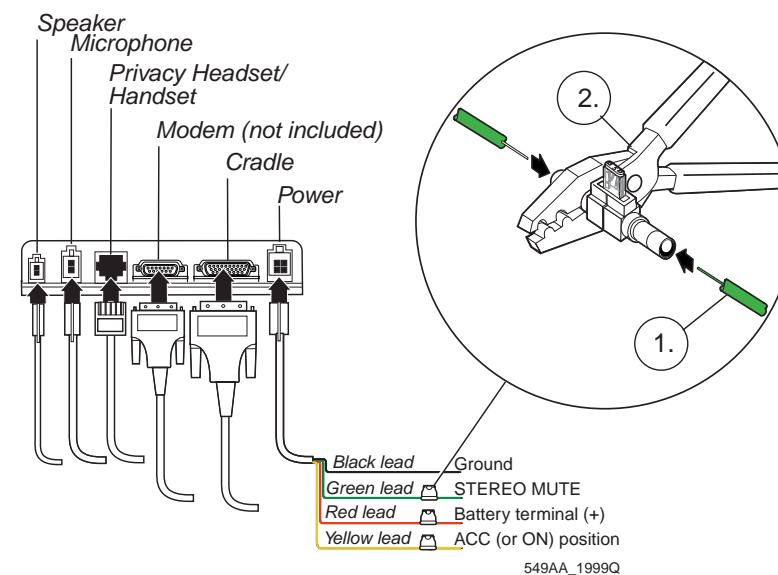
- Black lead ground (GND) to a clean unpainted metallic part of the vehicle.
- Green lead (STEREO MUTE) to the audio system, if applicable.
- Red lead to the positive terminal of the vehicle battery.
- If the vehicle ignition has an ACC position, connect the yellow lead to the Power Sense ACC position.
- If the vehicle ignition does not have an ACC position, connect the yellow lead to the ON position of the ignition (Power Sense).
- Connect the microphone and speaker to the GEM.
- Connect the ODU/Cradle pigtail cables together to connect the ODU to the cradle.
- Connect the cellular antenna (not included).
- Connect the cradle cable to the GEM.
- Connect the data cable (not included) to the GEM.
- Connect the optional privacy handset or privacy headset to the GEM.
- Connect the car interface cable to the GEM.



Caution

Exceeding the following input voltage and current values causes the power fuse to open, and it will have to be replaced.

Maximum input voltage is 16.0 volts.
Maximum input current is 4000 mA.



5 Mounting the ODU

The ODU is required for satellite communication when the phone is used inside a vehicle. It should be mounted on the roof of the vehicle with an unobstructed view of the sky. You can attach it to the roof of the vehicle using a magnet or a ski rack type mount, or permanently bolt it in place.



Note

Check with your service provider for available ODU mounting options.

When you mount the ODU using a magnet, check the surface of the magnet before you put the ODU on the car. The ODU is not designed for high speed driving, so use moderate speeds if it is mounted on the roof. Be sure that the connector between GCK-12a and GCK-11a is inside the vehicle.

Be sure to route the ODU cable through the weather strip without pinching it. Use only the ODU cables that come with the car kit when connecting the ODU and **do not cut or modify the ODU cable**.



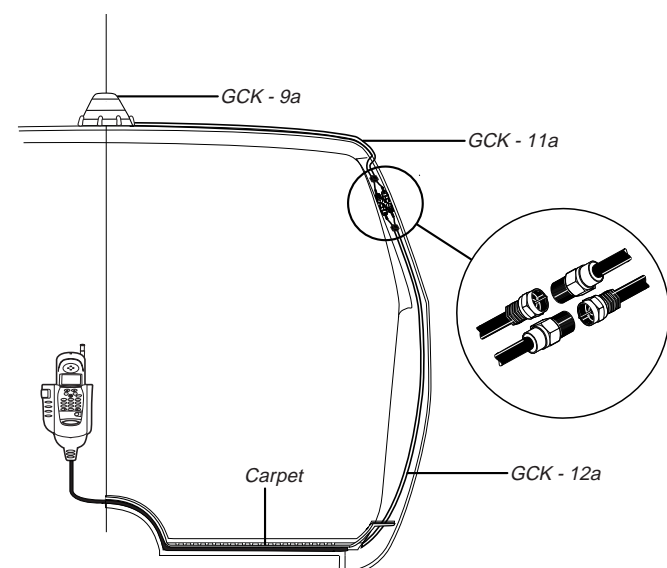
Caution

It is not recommended that you mount the ODU on the trunk or a lower surface. Performance could be affected by the shadow effect of the car.



Caution

As discussed in the earlier section on exposure to radio frequency signals, when the ODU is transmitting, it is necessary that at least 25 cm (10 inches) line-of-sight separation distance be maintained between the ODU antenna and the people within or near the vehicle, above the horizon of the ODU antenna (above and to the side of the ODU). A 25 cm separation distance is not required below the ODU antenna horizon, inside the vehicle. Mounting the ODU at least 25 cm from the edge of the vehicle roof will satisfy the separation distance requirement under normal use conditions.



6 Mounting the Privacy Headset (optional)

