



---

ANTCOM CORPORATION . 1860 Carson Street, Suite 104 . Torrance, CA 90501 . Tel: (310) 782-1076 . Fax: (310) 782-1086 . E-mail: [antcom@antcom.com](mailto:antcom@antcom.com) . <http://www.antcom.com>

**Tx/Rx Globalstar Helix Antenna,  
P/N: 73G1625LL-A1-XS-1F1:  
Pictures, Outline Drawing, Specification,  
Part List, Part Drawing  
and Test Data**

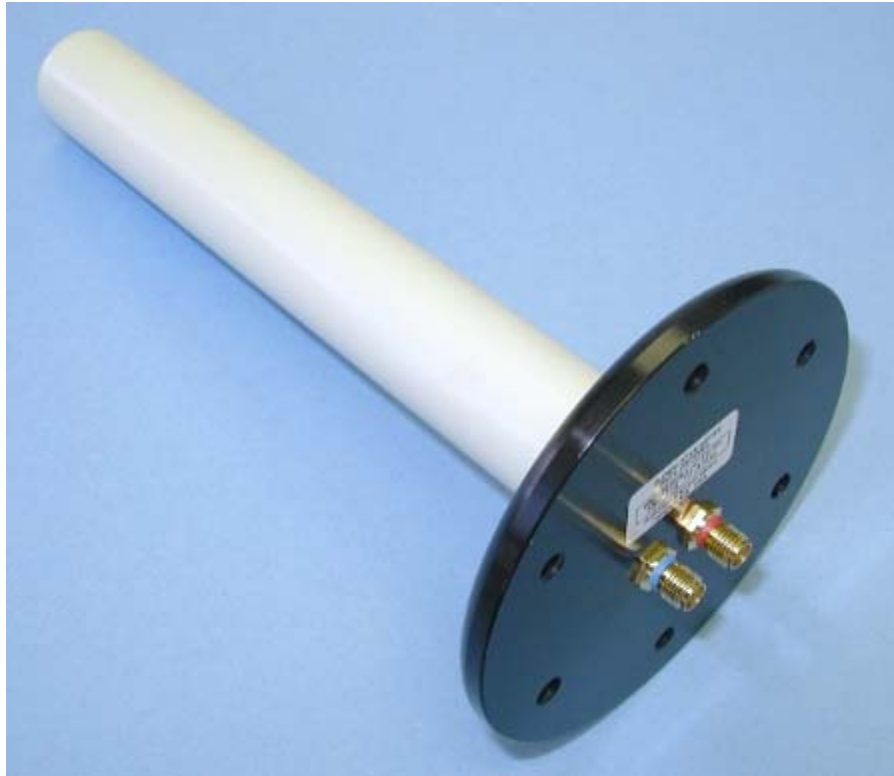


**Tx/Rx Globalstar Helix Antenna,  
P/N: 73G1625LL-A1-XS-1F1**



ANTCOM CORPORATION . 1860 Carson Street, Suite 104 . Torrance, CA 90501 . Tel: (310) 782-1076 . Fax: (310) 782-1086 . E-mail: antcom@antcom.com . http://www.antcom.com



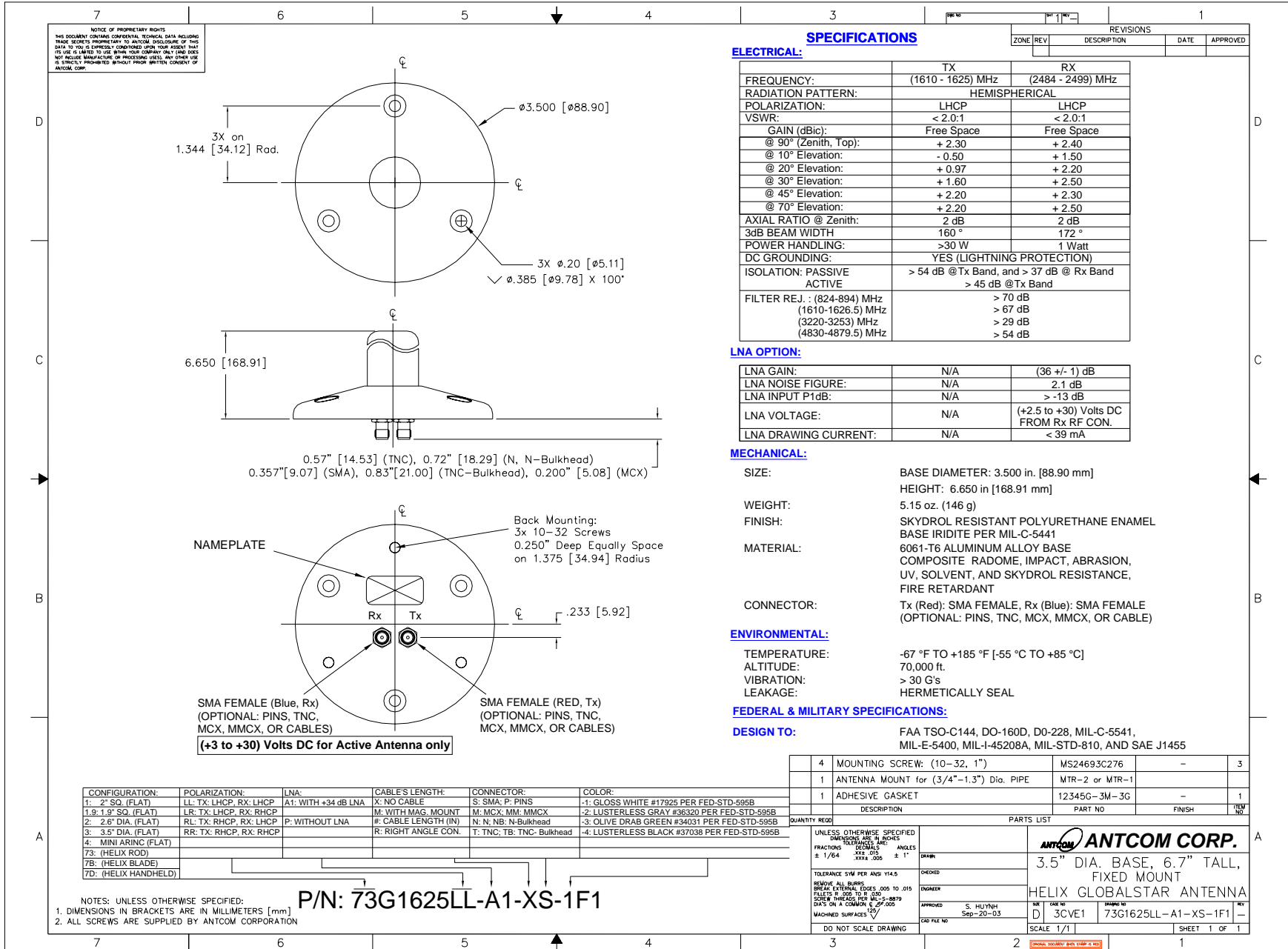




# Active Tx/Rx Globalstar Antenna:

## P/N: 73G1625LL-A1/P-XS-1F1, Outline Drawing

ANTCOM CORPORATION . 1860 Carson Street, Suite 104 . Torrance, CA 90501 . Tel: (310) 782-1076 . Fax: (310) 782-1086 . E-mail: antcom@antcom.com . http://www.antcom.com





**Antenna Mount:  
P/N: MTR-1**



ANTCOM CORPORATION . 1860 Carson Street, Suite 104 . Torrance, CA 90501 . Tel: (310) 782-1076 . Fax: (310) 782-1086 . E-mail: [antcom@antcom.com](mailto:antcom@antcom.com) . <http://www.antcom.com>

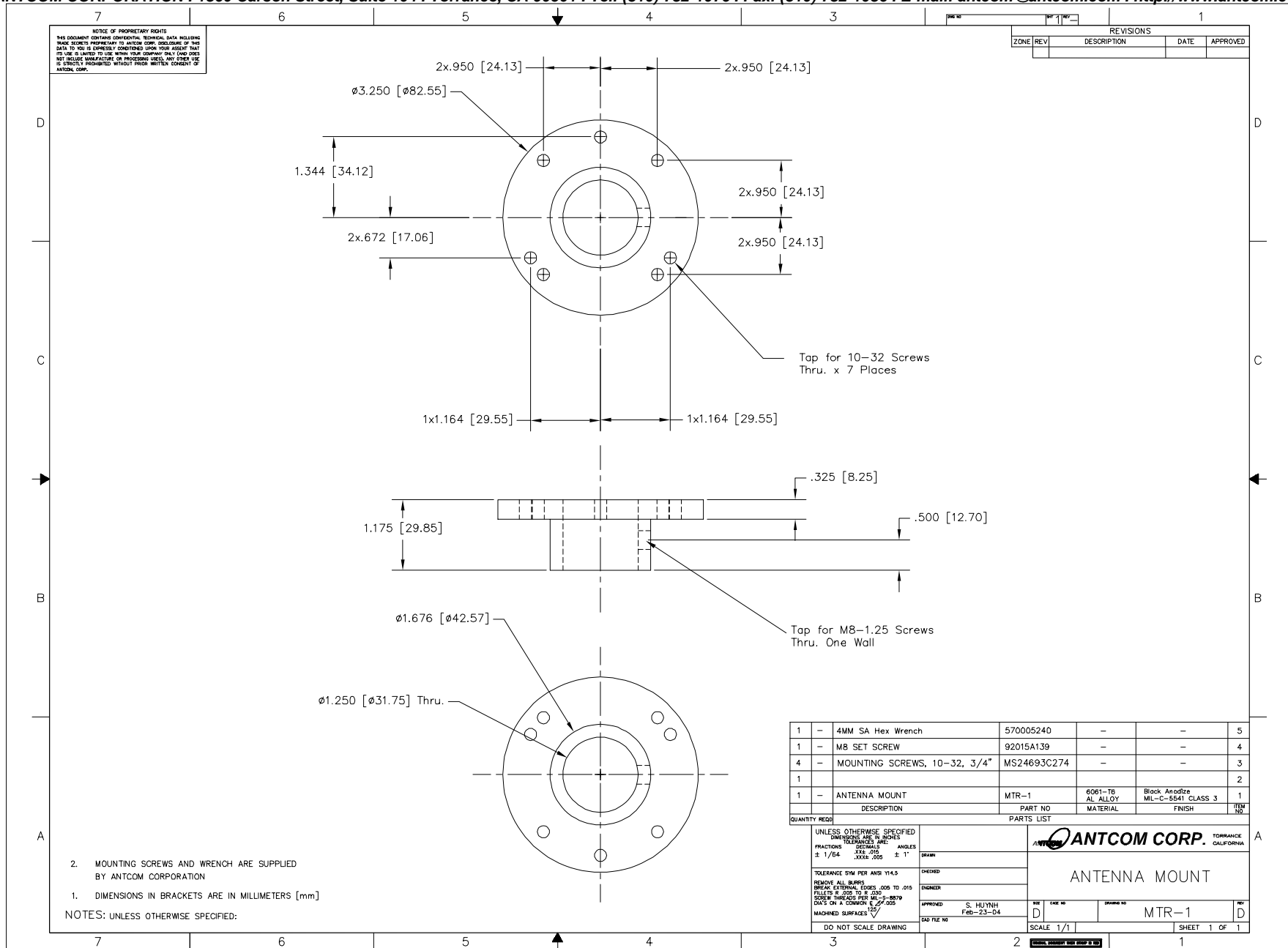




# Antenna Mount: P/N: MTR-1



ANTCOM CORPORATION . 1860 Carson Street, Suite 104 . Torrance, CA 90501 . Tel: (310) 782-1076 . Fax: (310) 782-1086 . E-mail: antcom@antcom.com . http://www.antcom.com



# Antenna Mount: P/N: MTR-2 (for Both Vertical/Horizontal Pipe)

ANTCOM CORPORATION . 1860 Carson Street, Suite 104 . Torrance, CA 90501 . Tel: (310) 782-1076 . Fax: (310) 782-1086 . E-mail: [antcom@antcom.com](mailto:antcom@antcom.com) . <http://www.antcom.com>



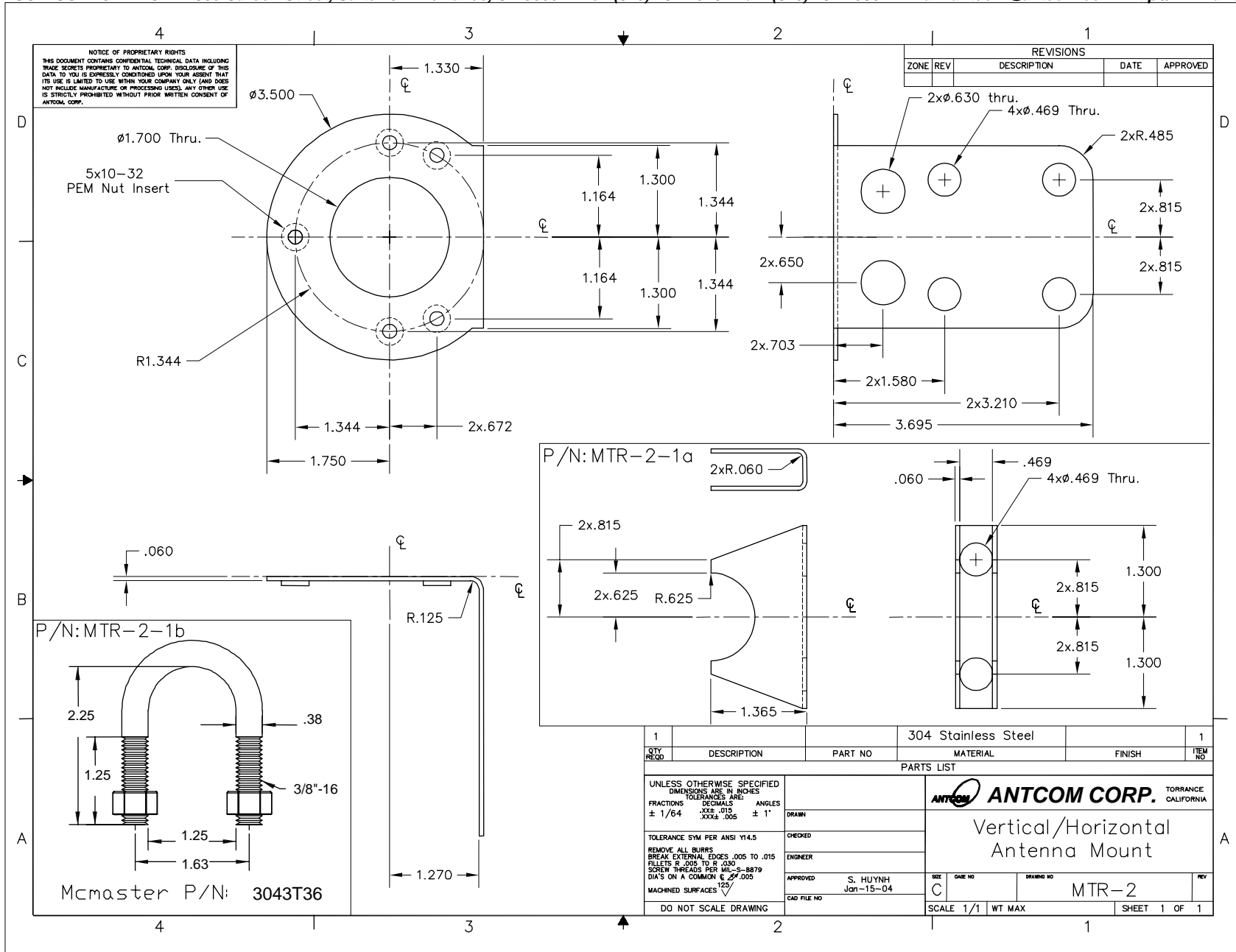




# Antenna Mount: P/N: MTR-2 (for Both Vertical/Horizontal Pipe)

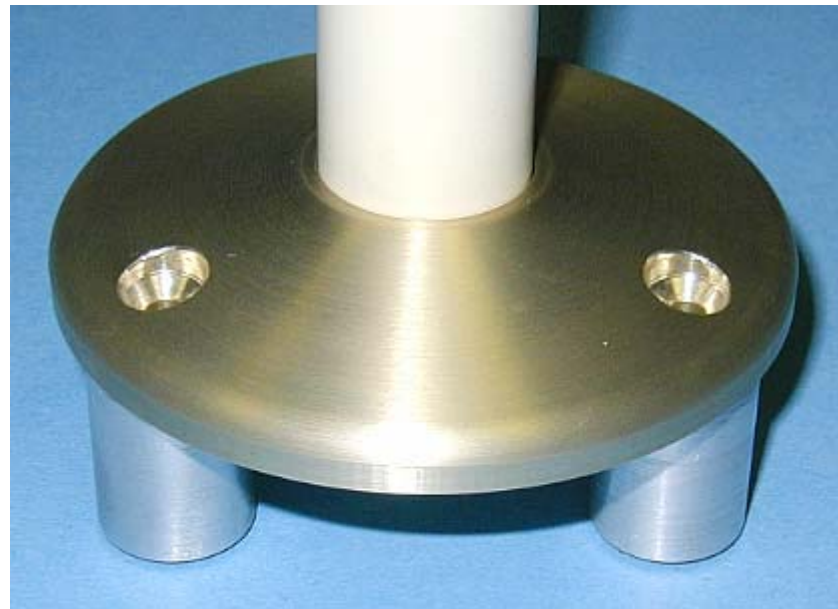


ANTCOM CORPORATION . 1860 Carson Street, Suite 104 . Torrance, CA 90501 . Tel: (310) 782-1076 . Fax: (310) 782-1086 . E-mail: antcom@antcom.com . http://www.antcom.com



# Magnetic Mount: P/N: MTR-4

ANTCOM CORPORATION . 1860 Carson Street, Suite 104 . Torrance, CA 90501 . Tel: (310) 782-1076 . Fax: (310) 782-1086 . E-mail: [antcom@antcom.com](mailto:antcom@antcom.com) . <http://www.antcom.com>





## Part List of Tx/Rx Globalstar Helix Antenna, P/N: 73G1625LL-A1-XS-1F1



ANTCOM CORPORATION . 1860 Carson Street, Suite 104 . Torrance, CA 90501 . Tel: (310) 782-1076 . Fax: (310) 782-1086 . E-mail: antcom@antcom.com . http://www.antcom.com

Item	Location	Part Number/ Drawing Number	Part Description	Qty/Unit
1	Rad6	5XX151625-R-1	Globalstar Radome	1
2	B6	3G1625A-1-4	3G2C Baseplates	1
3	SMA2	242129-10	Tx-Connector, SMA Female to MCX Female Modified Adpater	1
4	SMA1	132363-10	Rx-Connector, SMA Bulkhead Receptacle Extended Contact 0.050"/0.050"	1
5	CA1	RG178-MCX-RM-3.8	Tx Cable, LOW PROFILE RIGHT ANGLE MCX MALE PIG TAIL RG-178B/U (196A/U) CABLE	1
6	CA2	RG178-1.1	Rx RF Cable	1
7	P1	#15-LTX-B3	Tx Helix Antenna CKT	1
8	P2	#5-LRX-G3	Rx Helix Antenna CKT	1
9	FO1	3D1215P-4MMCX-3-C	Helix-Antenna-Spacer Foam	1
10	FO2	3D1215P-4MMCX-3-S	Helix-Antenna-Wrapper Foam	1
11	G	RTV 106	RTV 106 (1.4 mL)	1
12	MS	93085A831	4 Mounting Screws MS24693C274 Flat Head Screw, 18-8 SS 100 Degree, 10-32 thread, 3/4" long	4
13	N	E-188-51-10	Nameplate 1"x0.50" (RSI ID, Anchor Graphic) Material: 25 (Silver Matte Polyester); 51 White (0.65x0.2")	1
14	AMP1	73G1625LL-A1-XS-1F1-A	LNA CKT Assembly	1
15	C1	TAJC107K006R	100 MicroF Tantalum Capacitor, C1 (Panasonics)	1
16	C2	PCC1762TR-ND	0.1 MicroF Capacitor, 603, C2 (Panasonics)	1
17	C5	PCC221ACVTR-ND	220 PF Capacitors, 603, C5 (Panasonics)	2
18	C11	PCC1R5CVTR-ND	1.5 PF Capacitor, 603, C11 (Panasonics)	1
19	C13	PCC010CVTR-ND	1.0 PF Capacitor, 603, C13 (Panasonics)	3
20	C14	PCC0R5CVTR-ND	0.5 PF Capacitor, 603, C14 (Panasonics)	2
21	C30	PCC271ACVTR-ND	270 PF Capacitor, 603, C30 (Panasonics)	3
22	C70	PCC150ACVTR-ND	15 PF Capacitor, 603, C70 (Panasonics)	1
23	L6	PTL2012-F5N6C	5.6 nH Chip Inductor, 805, L6 (Toko)	1
24	L7	PTL2012-F4N7C	4.7 nH Chip Inductor, 805, L7 (Toko)	1
25	L8	PTL2012-F3N9C	3.9 nH Chip Inductor, 805, L8 (Toko)	1
26	L9	PTL2012-F3N3C	3.3 nH Chip Inductor, 805, L9 (Toko)	1
27	L11	PTL2012-F1N0C	1.0 nH Chip Inductor, 805, L11 (Toko)	1
28	L12	PTL2012-F1N5C	1.5 nH Chip Inductor, 805, L12 (Toko)	2
29	L39	PTL2012-F39NT	39 nH Chip Inductor, 805, L39 (Toko)	2
30	R1	LP2951ACMM-3.3	Voltage Regulator 3.3 V Fixed, R1(National)	1
31	T6	MGA85563	Amplifier, T6	1
32	T2	RF2324	Amplifier, T2	1
33	F5	UF2450M135	Filter, F5 (UBE)	1
34	R2	P49.9CTR-ND	50 Resistor 100mW, 805, R2 (Panasonics)	1
35	R8	P10.0CTR-ND	10 Resistor 100mW, 805, R8 (Panasonics)	1
36	R12	P120ATR-ND	120 Resistor 100mW, 805, R12 (Panasonics)	1
37	R18	P180ATR-ND	180 Resistor 100mW, 805, R18 (Panasonics)	1
			Total	48



---

ANTCOM CORPORATION . 1860 Carson Street, Suite 104 . Torrance, CA 90501 . Tel: (310) 782-1076 . Fax: (310) 782-1086 . E-mail: [antcom@antcom.com](mailto:antcom@antcom.com) . <http://www.antcom.com>

**Tx/Rx Globalstar Helix Antenna,**  
**P/N: 73G1625LL-A1-XS-1F1,**  
**Part Drawing and Pictures**





**Radome, P/N: 5XX151625-R-1 of  
Tx/Rx Globalstar Helix Antenna, P/N: 73G1625LL-A1-XS-1F1**



ANTCOM CORPORATION . 1860 Carson Street, Suite 104 . Torrance, CA 90501 . Tel: (310) 782-1076 . Fax: (310) 782-1086 . E-mail: [antcom@antcom.com](mailto:antcom@antcom.com) . <http://www.antcom.com>



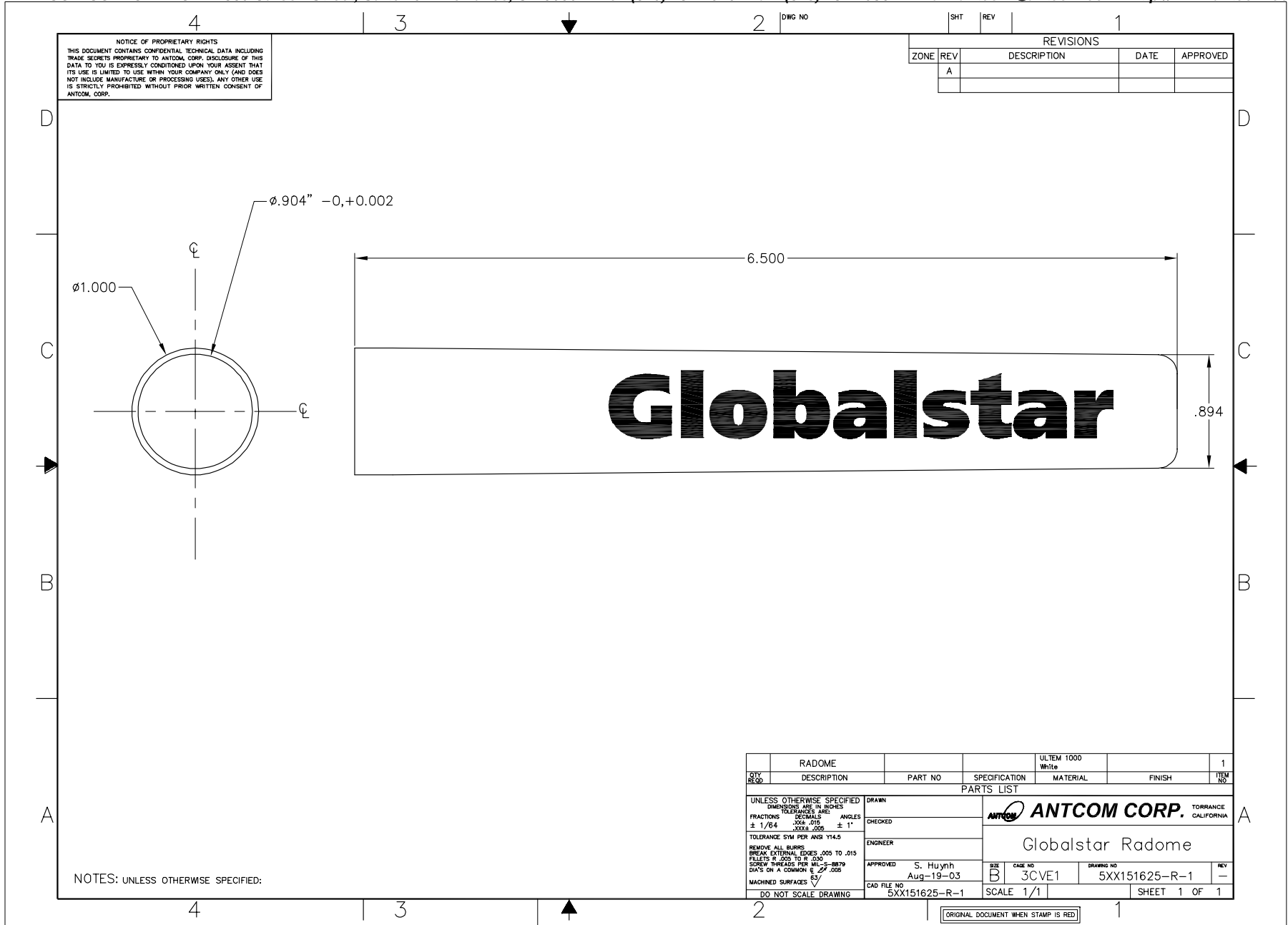


Radome, P/N: 5XX151625-R-1 of

Tx/Rx Globalstar Helix Antenna, P/N: 73G1625LL-A1-XS-1F1



ANTCOM CORPORATION . 1860 Carson Street, Suite 104 . Torrance, CA 90501 . Tel: (310) 782-1076 . Fax: (310) 782-1086 . E-mail: antcom@antcom.com . http://www.antcom.com





**Baseplate, P/N: 3G1625A-1-4 (REV A) of  
Tx/Rx Globalstar Helix Antenna, P/N: 73G1625LL-A1-XS-1F1**



ANTCOM CORPORATION . 1860 Carson Street, Suite 104 . Torrance, CA 90501 . Tel: (310) 782-1076 . Fax: (310) 782-1086 . E-mail: [antcom@antcom.com](mailto:antcom@antcom.com) . <http://www.antcom.com>



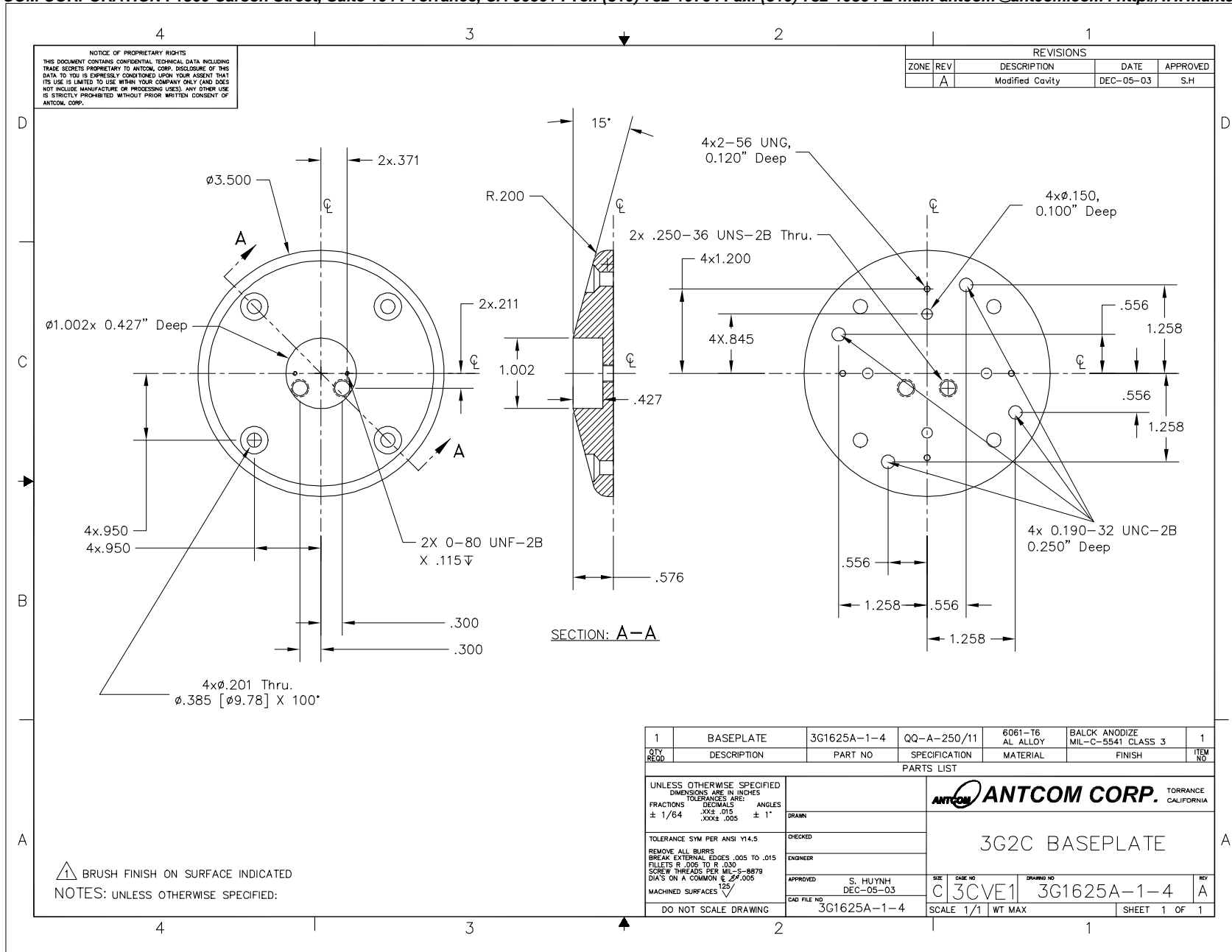




# Baseplate, P/N: 3G1625A-1-4 (REV A) of Tx/Rx Globalstar Helix Antenna, P/N: 73G1625LL-A1-XS-1F1



ANTCOM CORPORATION . 1860 Carson Street, Suite 104 . Torrance, CA 90501 . Tel: (310) 782-1076 . Fax: (310) 782-1086 . E-mail: antcom@antcom.com . http://www.antcom.com





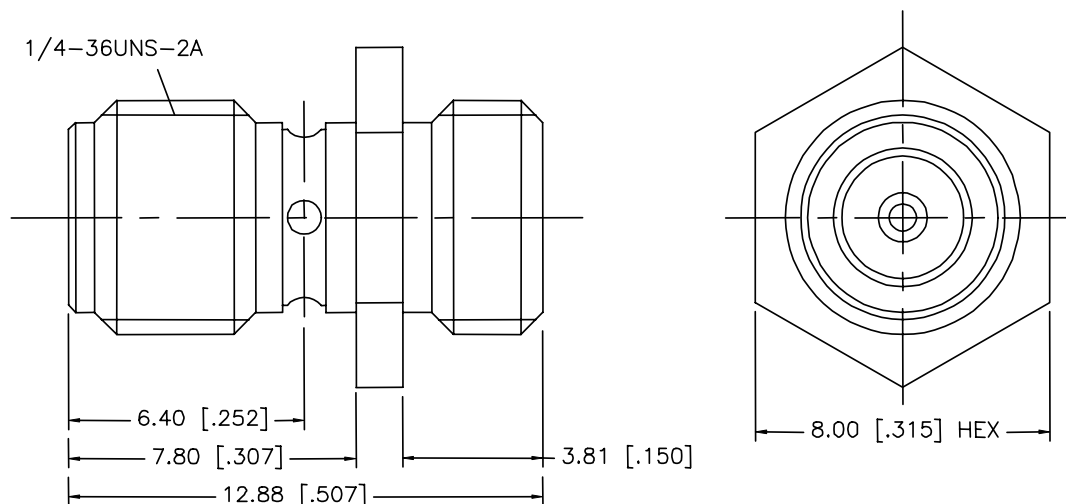
# Tx-Connector, P/N: 242129-10 of

# Tx/Rx Globalstar Helix Antenna, P/N: 73G1625LL-A1-XS-1F1



ANTCOM CORPORATION . 1860 Carson Street, Suite 104 . Torrance, CA 90501 . Tel: (310) 782-1076 . Fax: (310) 782-1086 . E-mail: antcom@antcom.com . http://www.antcom.com

REV.	DATE	DESCRIPTION
NC	08/31/02	INITIAL RELEASE



8				UNLESS OTHERWISE SPECIFIED DIMENSIONS ARE IN MILLIMETERS  DIMENSIONS IN [ ] ARE IN INCHES FOR CUSTOMER REFERENCE ONLY  UNLESS OTHERWISE SPECIFIED TOLERANCES FOR INCHES ARE: .XXX = ± 0.005" .XX = ± 0.010" .X = ± 0.020"	APPROVALS	DATE	<b>Amphenol - Connex</b> CONNECTOR CORPORATION					
7					DRAWN	G.R.S.				08/31/02	TITLE SMA FEMALE TO MCX FEMALE MODIFIED ADAPTOR	
6						CHECKED		SIZE	FSCM NO.	DWG. NO.		
5								A	99001	242129-10.DWG	NC	
4					ISSUED		SCALE	NA	PART NO.	242129-10	SHEET	1 OF 1
3	CONTACT PIN	BER. COPPER	GOLD									
2	INSULATOR	TEFLON	NATURAL									
1	BODY	BRASS	GOLD									
	DESCRIPTION	MATERIAL	FINISH	DO NOT SCALE DRAWING								

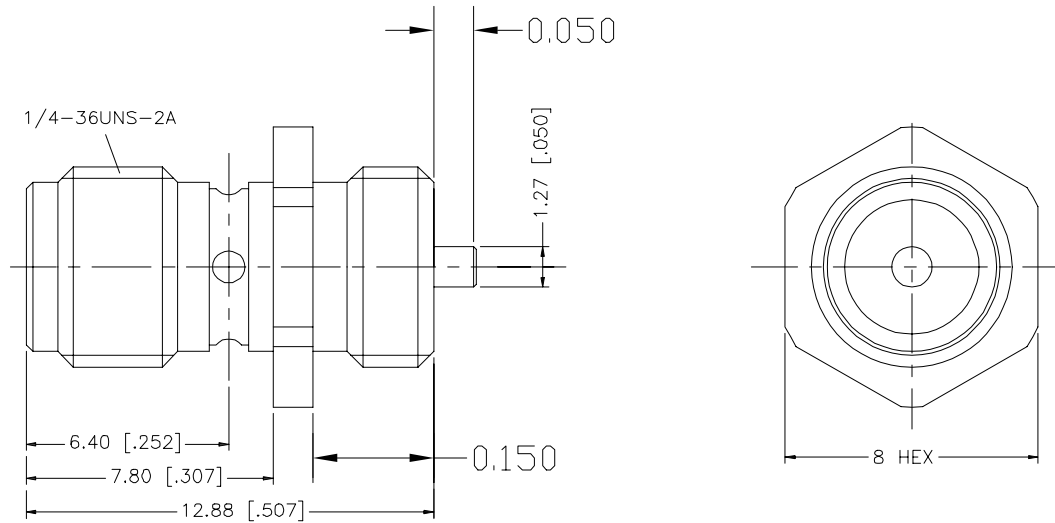


# Rx-Connector, P/N: 132363-10 of Tx/Rx Globalstar Helix Antenna, P/N: 73G1625LL-A1-XS-1F1



ANTCOM CORPORATION . 1860 Carson Street, Suite 104 . Torrance, CA 90501 . Tel: (310) 782-1076 . Fax: (310) 782-1086 . E-mail: antcom@antcom.com . http://www.antcom.com

REV.	DATE	DESCRIPTION
A	09/16/03	MODIFY CONTACT PIN LENGTH



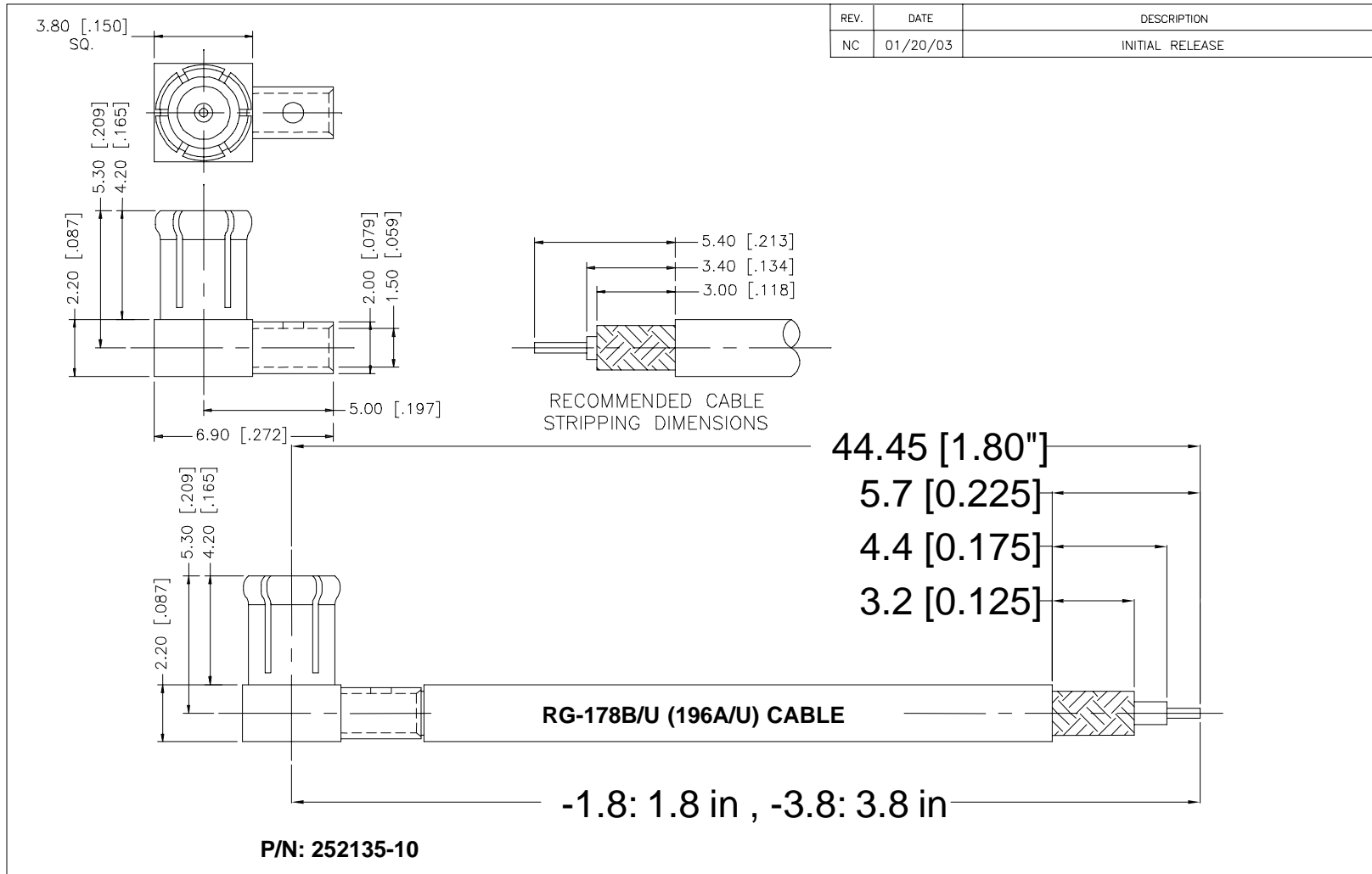
8				UNLESS OTHERWISE SPECIFIED DIMENSIONS ARE IN MILLIMETERS. DIMENSIONS IN [ ] ARE IN INCHES AND FOR CUSTOMER REFERENCE ONLY.	APPROVALS	DATE	<h2 style="color: blue;">Amphenol Connex</h2>			
7				UNLESS OTHERWISE SPECIFIED TOLERANCES FOR MILLIMETERS ARE:	DRAWN	G.R.S.		09/16/03		
6				0.5 - 8mm ± 0.20mm	CHECKED					
5				8 - 30mm ± 0.40mm	ISSUED					
4				30 - 120mm ± 0.50mm	SHEET	1 OF 1				
3	CONTACT PIN	BER. COPPER	GOLD	1	PART DESCRIPTION			SMA BULKHEAD RECEPTACLE EXTENDED CONTACT 0-.050" / .050" DIA.		
2	INSULATOR	TEFLON	NATURAL	1	PART NO.					
1	BODY	BRASS	GOLD	1	132363-10					
	DESCRIPTION	MATERIAL	FINISH	QTY	UNLESS OTHERWISE SPECIFIED TOLERANCES FOR INCHES ARE:	CAD FILE	DWG. NO.	REV.	SIZE	SCALE
					.020 - .315 = ± 0.007"	C:/132/132363-10.DWG	132363-10.DWG	A	A	NA
					.315 - 1.180 = ± 0.015"					
					1.180 - 4.724 = ± 0.020"					
					DO NOT SCALE DRAWING					



# Tx-Cable, P/N: RG178-MCX-RM-3.8 of Tx/Rx Globalstar Helix Antenna, P/N: 73G1625LL-A1-XS-1F1



ANTCOM CORPORATION . 1860 Carson Street, Suite 104 . Torrance, CA 90501 . Tel: (310) 782-1076 . Fax: (310) 782-1086 . E-mail: antcom@antcom.com . http://www.antcom.com



REV.	DATE	DESCRIPTION
NC	01/20/03	INITIAL RELEASE

8				<small>UNLESS OTHERWISE SPECIFIED DIMENSIONS ARE IN MILLIMETERS. DIMENSIONS IN [ ] ARE IN INCHES AND FOR CUSTOMER REFERENCE ONLY.</small>  <small>UNLESS OTHERWISE SPECIFIED TOLERANCES FOR MILLIMETERS ARE:</small> 0.5 - 8mm ± 0.20mm 8 - 30mm ± 0.40mm 30 - 120mm ± 0.50mm  <small>UNLESS OTHERWISE SPECIFIED TOLERANCES FOR INCHES ARE:</small> .020 - .315 = ± 0.007" .315 - 1.180 = ± 0.015" 1.180 - 4.724 = ± 0.020"  <small>DO NOT SCALE DRAWING</small>	APPROVALS	DATE	<h2 style="margin: 0;">ANTCOM CORP.</h2> <p style="margin: 0;"><b>PART DESCRIPTION</b> <b>LOW PROFILE RIGHT ANGLE MCX MALE PIG TAIL RG-178B/U (196A/U) CABLE</b></p> <p style="margin: 0;"><small>PART NO.</small> <b>RG178-MCX-RM-3.8 (3.8in Right Angle, Soldered, GPS/Globalstar)</b></p> <p style="margin: 0;"><small>DWG. NO.</small> <b>RG178-MCX-RM-3.8</b>    <small>REV.</small> NC    <small>SIZE</small> A    <small>SCALE</small> NA</p>	
7					DRAWN	S. Huynh		01/20/03
6					CHECKED			
5					ISSUED			
4					SHEET	1 OF 1		
3	CONTACT PIN	BRASS	GOLD		1			
2	INSULATOR	TEFLON	NATURAL		1			
1	HOUSING/BODY	BRASS	GOLD		1			
	DESCRIPTION	MATERIAL	FINISH	QTY	CAD FILE	<b>RG178-MCX-RM-3.8</b>		

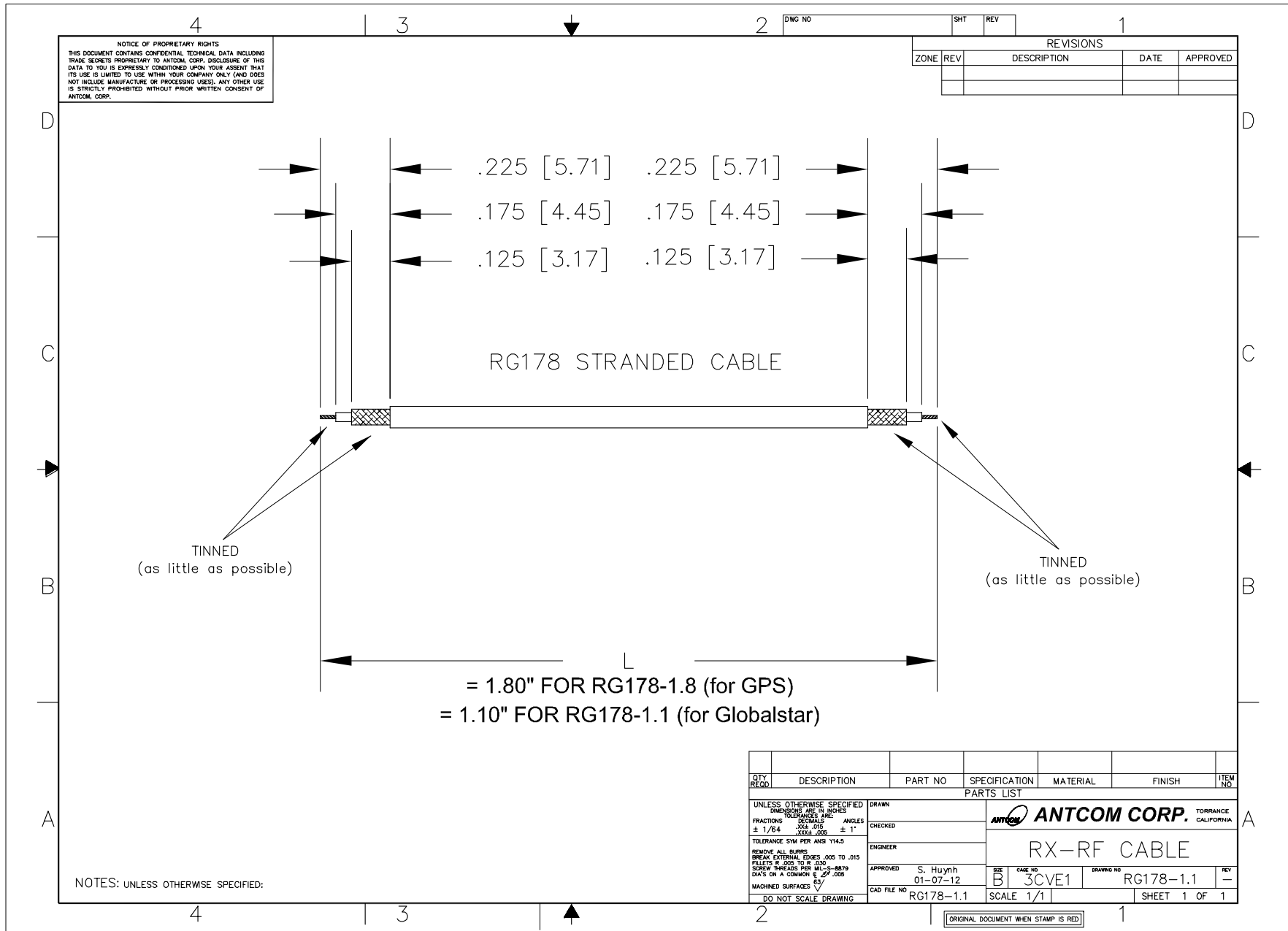


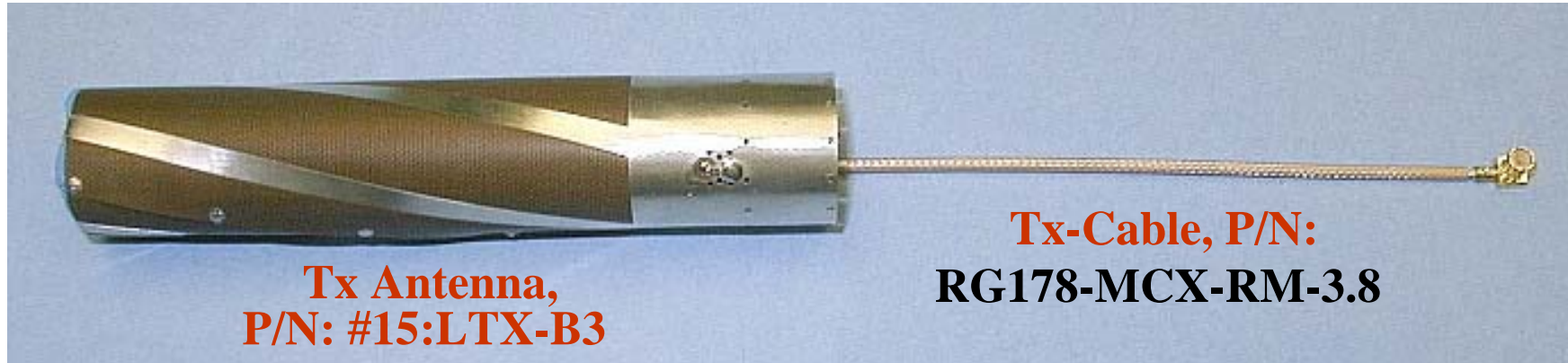
# Rx-Cable, P/N: RG178-1.1 of

## Tx/Rx Globalstar Helix Antenna, P/N: 73G1625LL-A1-XS-1F1



ANTCOM CORPORATION . 1860 Carson Street, Suite 104 . Torrance, CA 90501 . Tel: (310) 782-1076 . Fax: (310) 782-1086 . E-mail: antcom@antcom.com . http://www.antcom.com



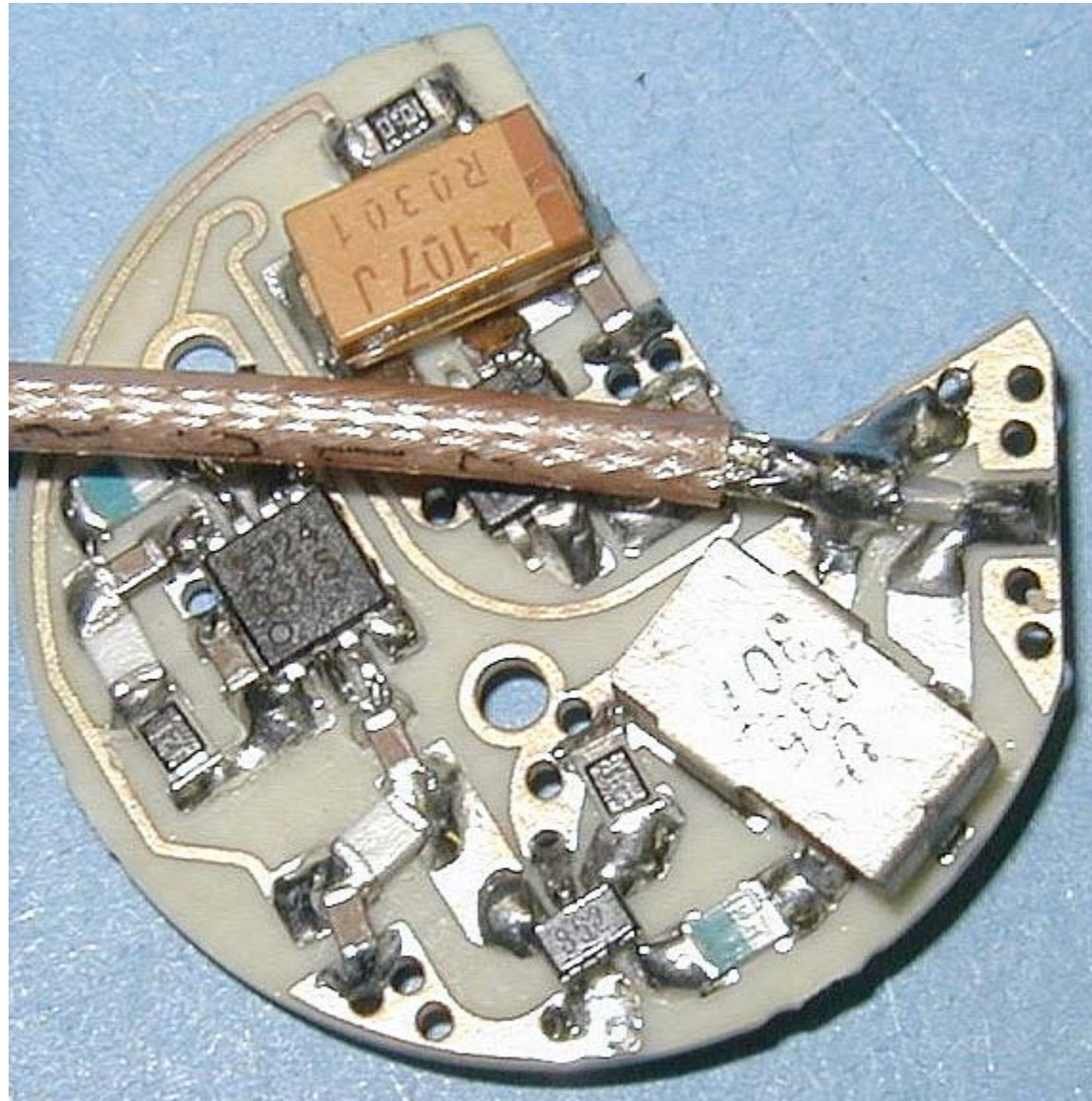




**Amplifier Board, P/N: 73G1625LL-A1-XS-1F1-A of  
Tx/Rx Globalstar Helix Antenna, P/N: 73G1625LL-A1-XS-1F1**



ANTCOM CORPORATION . 1860 Carson Street, Suite 104 . Torrance, CA 90501 . Tel: (310) 782-1076 . Fax: (310) 782-1086 . E-mail: [antcom@antcom.com](mailto:antcom@antcom.com) . <http://www.antcom.com>

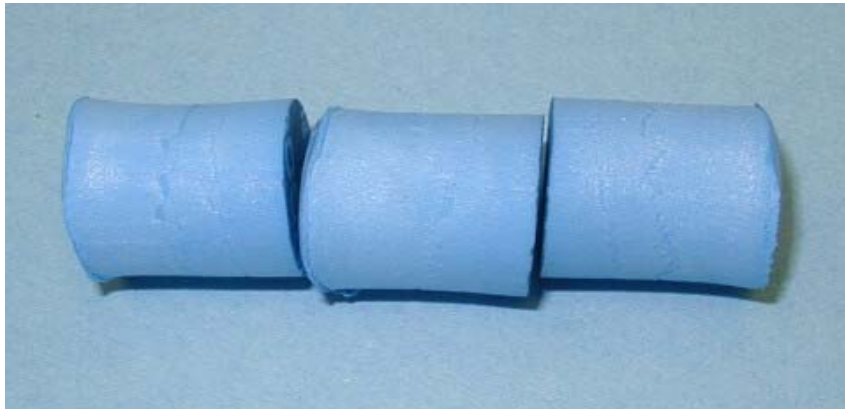




**Helix-Antenna-Foam Spacer, PN:3D1215P-4MMCX-3-C of  
Tx/Rx Globalstar Helix Antenna, P/N: 73G1625LL-A1-XS-1F1**



ANTCOM CORPORATION . 1860 Carson Street, Suite 104 . Torrance, CA 90501 . Tel: (310) 782-1076 . Fax: (310) 782-1086 . E-mail: antcom@antcom.com . http://www.antcom.com



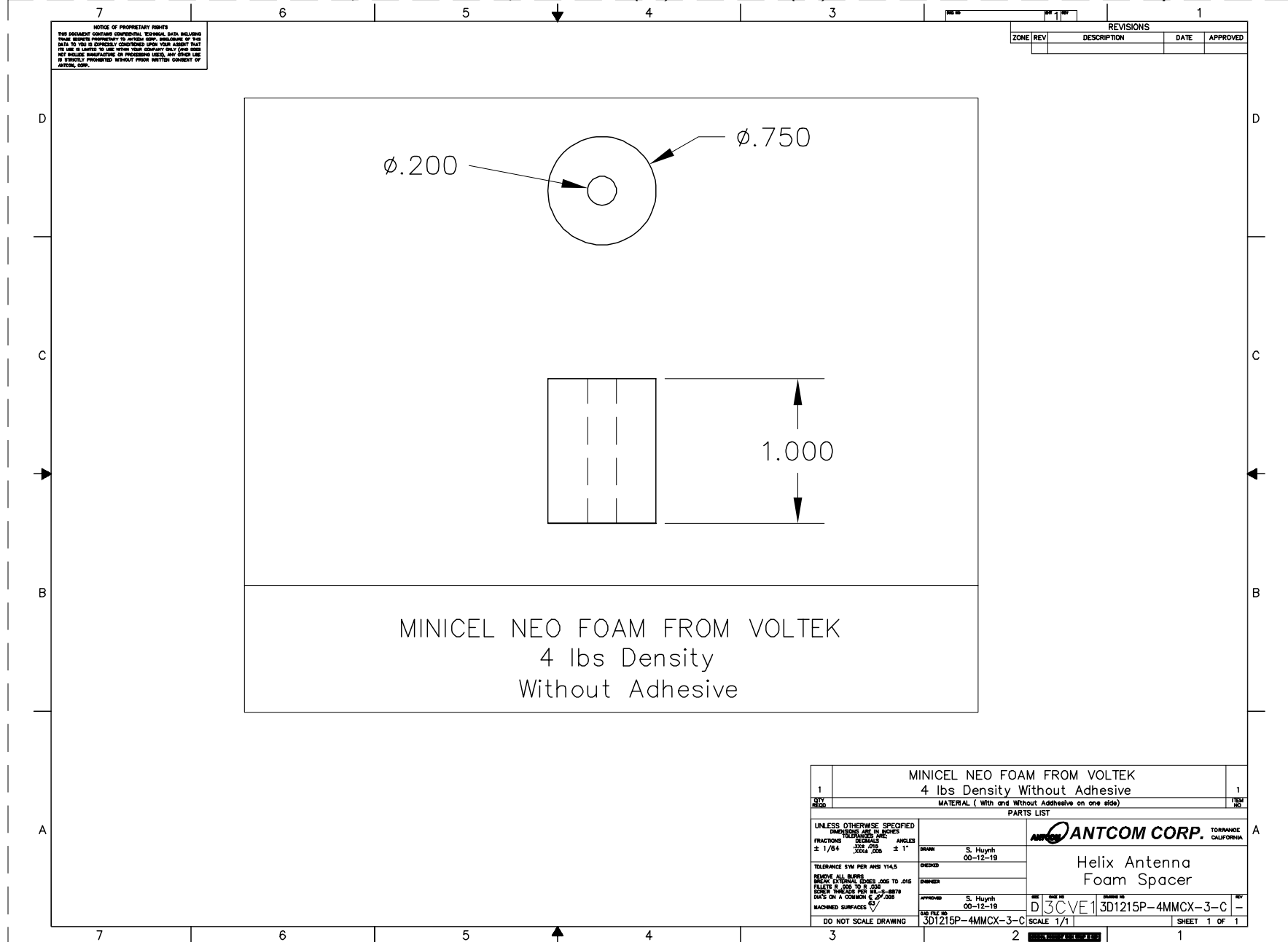




# Helix-Antenna-Foam Spacer, PN:3D1215P-4MMCX-3-C of Tx/Rx Globalstar Helix Antenna, P/N: 73G1625LL-A1-XS-1F1



ANTCOM CORPORATION . 1860 Carson Street, Suite 104 . Torrance, CA 90501 . Tel: (310) 782-1076 . Fax: (310) 782-1086 . E-mail: antcom@antcom.com . http://www.antcom.com



**NOTICE OF PROPRIETARY RIGHTS**  
THIS DOCUMENT CONTAINS CONFIDENTIAL INFORMATION. ANY DISCLOSURE OF THIS INFORMATION TO ANY OTHER PARTY WITHOUT THE WRITTEN CONSENT OF ANTCOM CORPORATION IS STRICTLY PROHIBITED WITHOUT THE WRITTEN CONSENT OF ANTCOM CORPORATION.

REVISIONS			
ZONE	REV	DESCRIPTION	DATE

1	MINICEL NEO FOAM FROM VOLTEK 4 lbs Density Without Adhesive		1
QTY	MATERIAL ( With and Without Adhesive on one side)		ITEM NO
REQD	PARTS LIST		
UNLESS OTHERWISE SPECIFIED DIMENSIONS ARE IN INCHES TOLERANCES ARE: FRACTIONS DECIMALS ANGLES ± 1/64 ± .005 ± .1° TOLERANCE 5/16 PER ANSI Y14.5 REMOVE ALL BURRS HOLE TO HOLE DIMENSIONS TO .015 HOLE TO EDGE DIMENSIONS TO .015 HOLE TO CENTER TO .015 HOLE TO SURFACE TO .015 HOLE TO SURFACE TO .015 DO NOT SCALE DRAWING			
DATE	DESIGNED BY	APPROVED BY	SCALE
00-12-19	S. Huynh	S. Huynh	1/1
DRAWN		DRAWING NO	
00-12-19		3D1215P-4MMCX-3-C	
DRAWN		SHEET	
00-12-19		1 OF 1	



Helix Antenna  
Foam Spacer



**Helix-Antenna-Wrapper Foam, PN:3D1215P-4MMCX-3-S of  
Tx/Rx Globalstar Helix Antenna, P/N: 73G1625LL-A1-XS-1F1**



ANTCOM CORPORATION . 1860 Carson Street, Suite 104 . Torrance, CA 90501 . Tel: (310) 782-1076 . Fax: (310) 782-1086 . E-mail: [antcom@antcom.com](mailto:antcom@antcom.com) . <http://www.antcom.com>

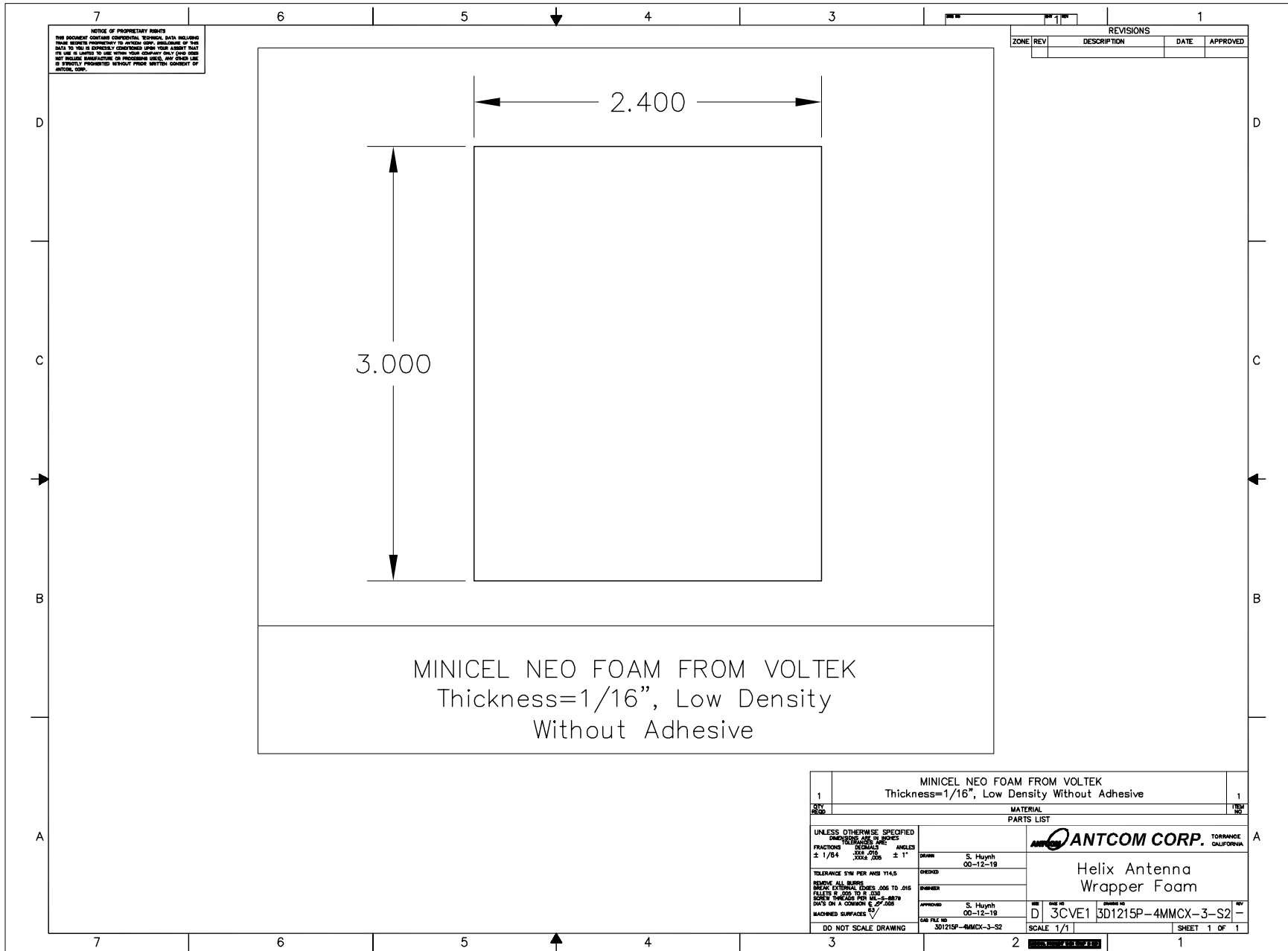




# Helix-Antenna-Wrapper Foam, PN:3D1215P-4MMCX-3-S of Tx/Rx Globalstar Helix Antenna, P/N: 73G1625LL-A1-XS-1F1



ANTCOM CORPORATION . 1860 Carson Street, Suite 104 . Torrance, CA 90501 . Tel: (310) 782-1076 . Fax: (310) 782-1086 . E-mail: antcom@antcom.com . http://www.antcom.com





**All Parts of,**  
**Tx/Rx Globalstar Helix Antenna, P/N: 73G1625LL-A1-XS-1F1**



ANTCOM CORPORATION . 1860 Carson Street, Suite 104 . Torrance, CA 90501 . Tel: (310) 782-1076 . Fax: (310) 782-1086 . E-mail: [antcom@antcom.com](mailto:antcom@antcom.com) . <http://www.antcom.com>







---

ANTCOM CORPORATION . 1860 Carson Street, Suite 104 . Torrance, CA 90501 . Tel: (310) 782-1076 . Fax: (310) 782-1086 . E-mail: [antcom@antcom.com](mailto:antcom@antcom.com) . <http://www.antcom.com>

**Tx/Rx Globalstar Helix Antenna,**  
**P/N: 73G1625LL-A1-XS-1F1,**  
**Radiation Pattern**

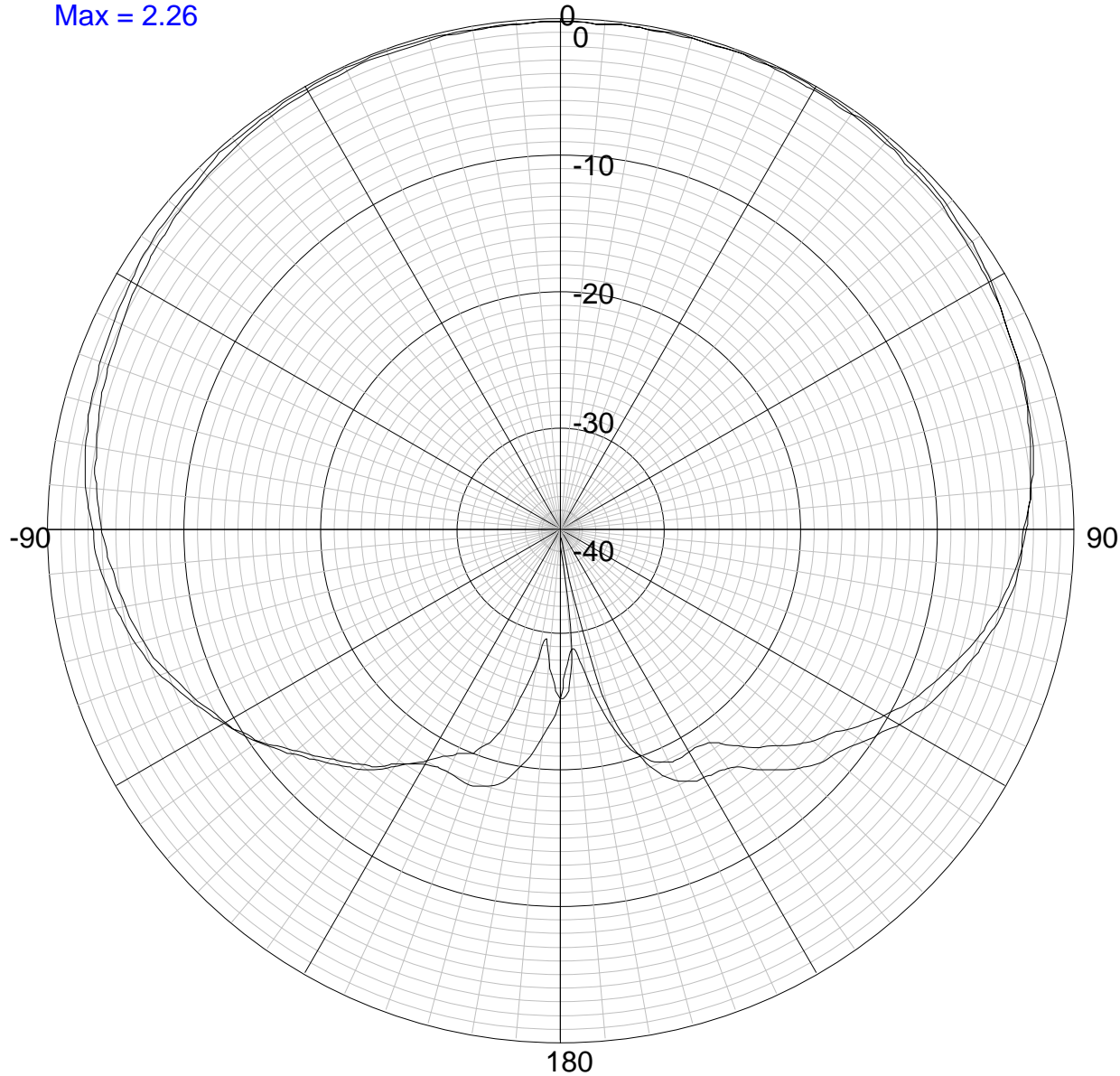


**Tx/Rx Globalstar Helix Antenna:**  
**P/N: 7XG1625LL-A1-XS-1F1, Elevation Cuts for Tx Band**



ANTCOM CORPORATION . 1860 Carson Street, Suite 104 . Torrance, CA 90501 . Tel: (310) 782-1076 . Fax: (310) 782-1086 . E-mail: antcom@antcom.com . http://www.antcom.com

Max = 2.26

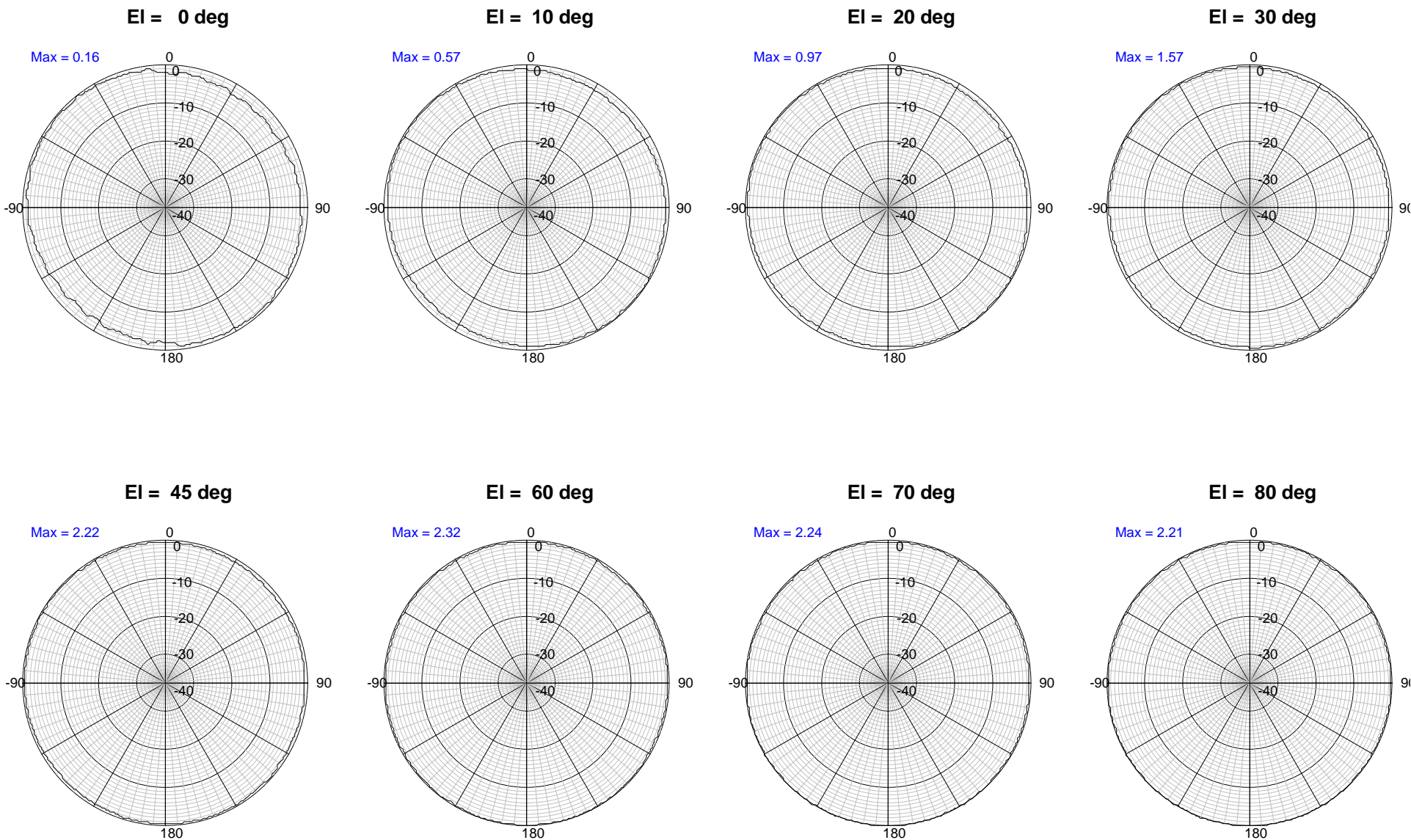




# Tx/Rx Globalstar Helix Antenna: P/N: 7XG1625LL-A1-XS-1F1, Azimuth Cuts for Tx Band



ANTCOM CORPORATION . 1860 Carson Street, Suite 104 . Torrance, CA 90501 . Tel: (310) 782-1076 . Fax: (310) 782-1086 . E-mail: antcom@antcom.com . http://www.antcom.com





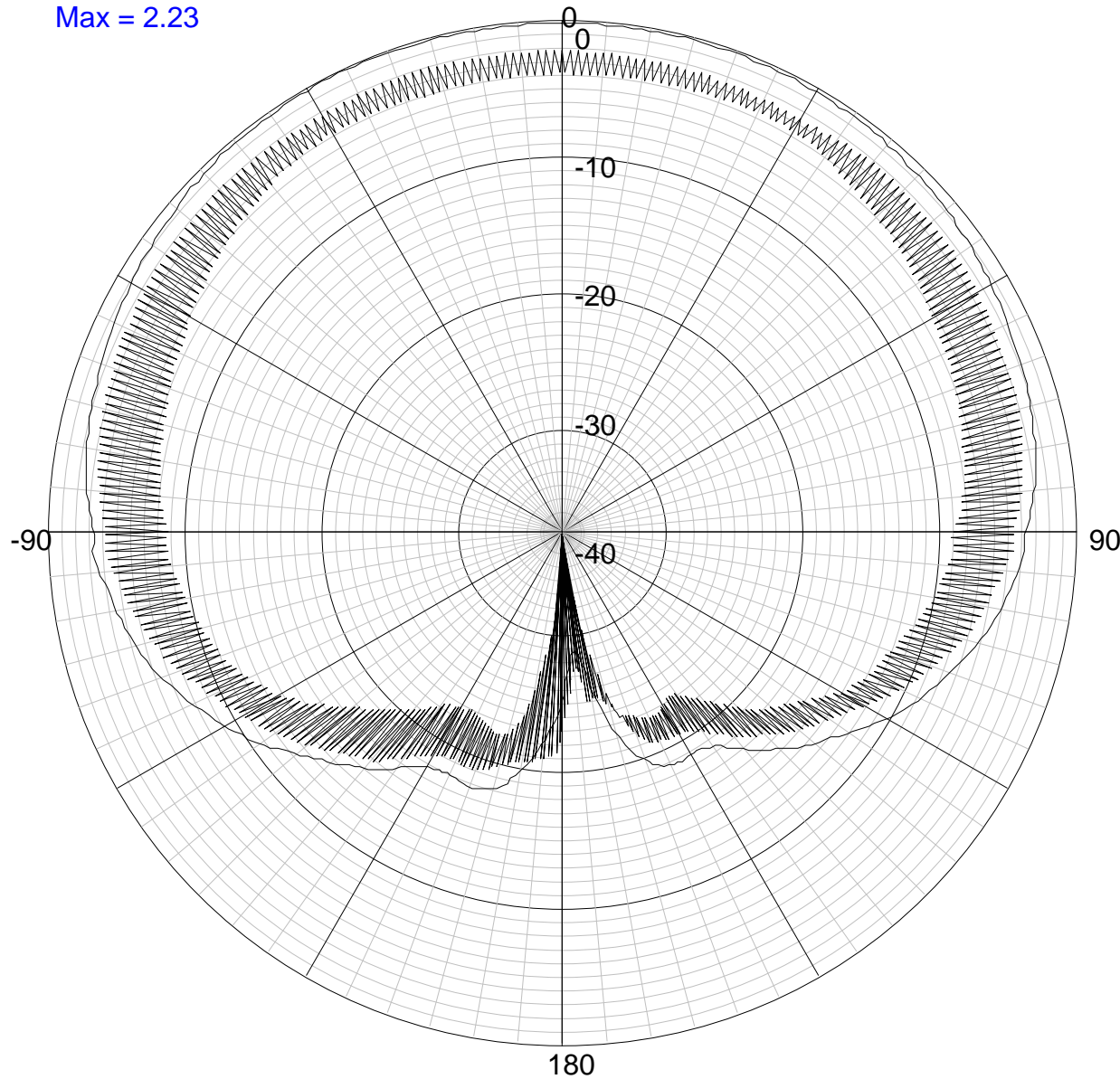


**Tx/Rx Globalstar Helix Antenna:**  
**P/N: 7XG1625LL-A1-XS-1F1, Axial Ratio Cuts for Tx Band**



ANTCOM CORPORATION . 1860 Carson Street, Suite 104 . Torrance, CA 90501 . Tel: (310) 782-1076 . Fax: (310) 782-1086 . E-mail: antcom@antcom.com . http://www.antcom.com

Max = 2.23



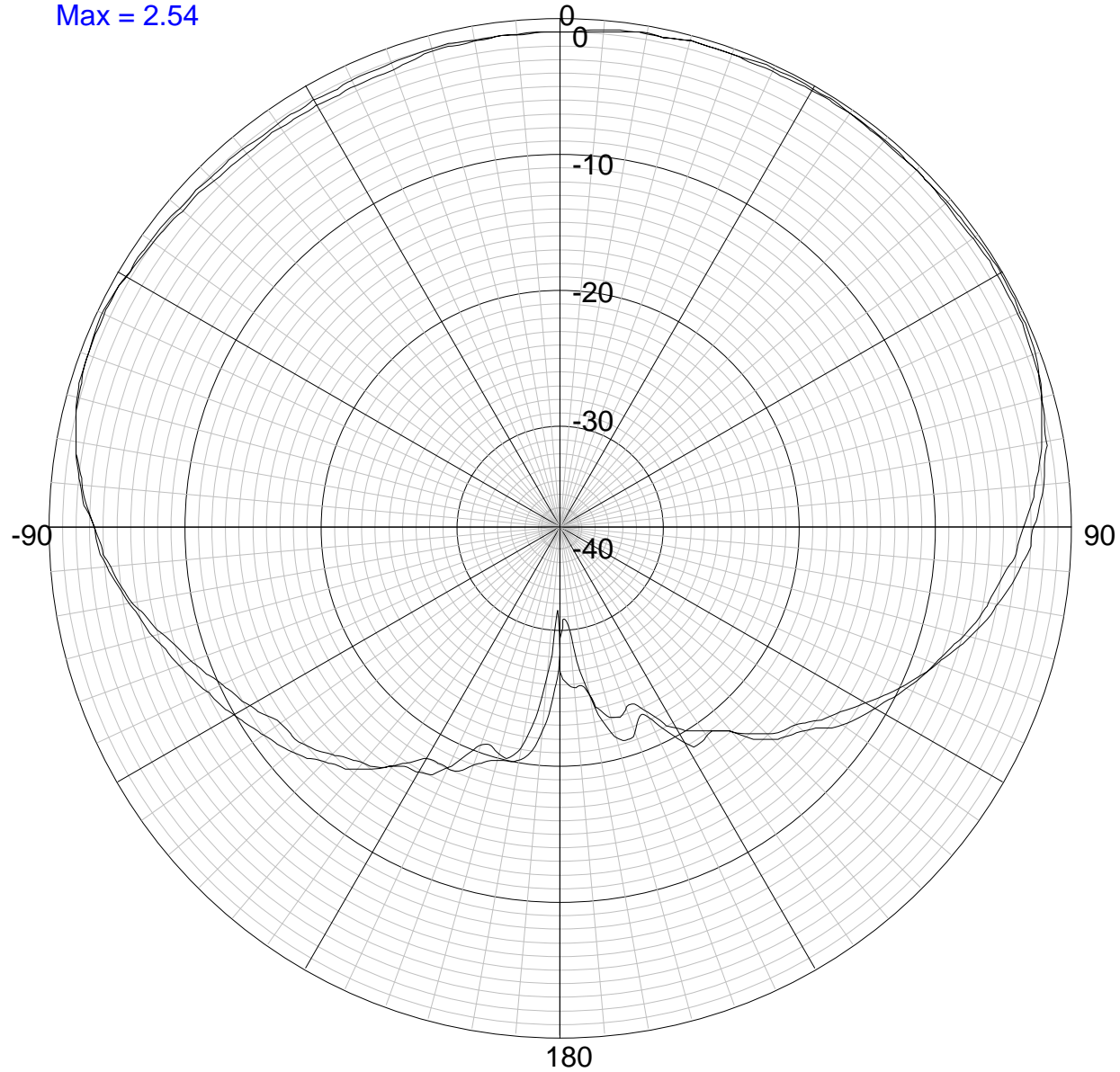


**Tx/Rx Globalstar Helix Antenna:**  
**P/N: 7XG1625LL-A1-XS-1F1, Elevation Cuts for Rx Band**



ANTCOM CORPORATION . 1860 Carson Street, Suite 104 . Torrance, CA 90501 . Tel: (310) 782-1076 . Fax: (310) 782-1086 . E-mail: [antcom@antcom.com](mailto:antcom@antcom.com) . <http://www.antcom.com>

Max = 2.54



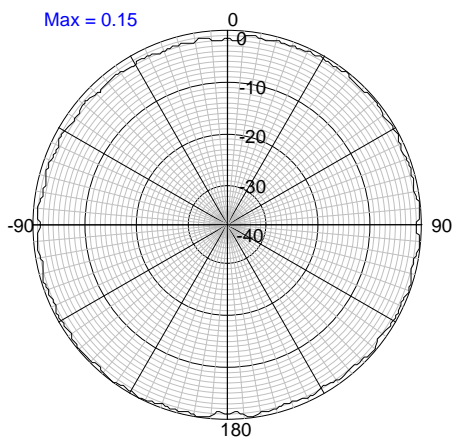


# Active or Passive Tx/Rx Globalstar Antenna: P/N: 73G1625LL-A1/P-XS-1F1, Azimuth Cuts for Rx Band

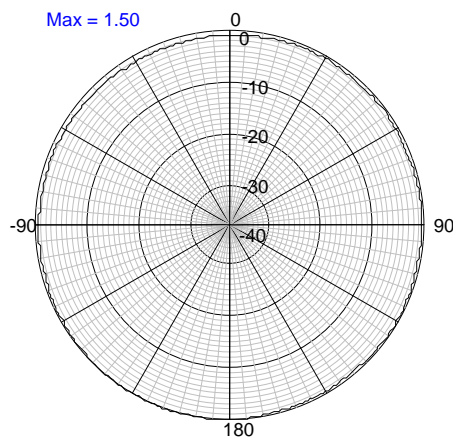


ANTCOM CORPORATION . 1860 Carson Street, Suite 104 . Torrance, CA 90501 . Tel: (310) 782-1076 . Fax: (310) 782-1086 . E-mail: antcom@antcom.com . <http://www.antcom.com>

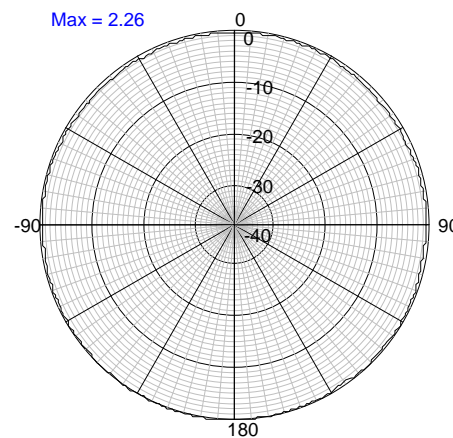
EI = 0 deg



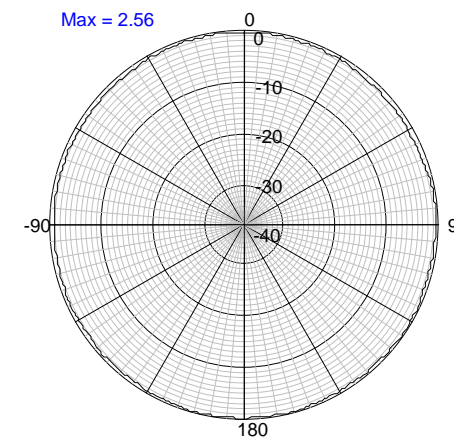
EI = 10 deg



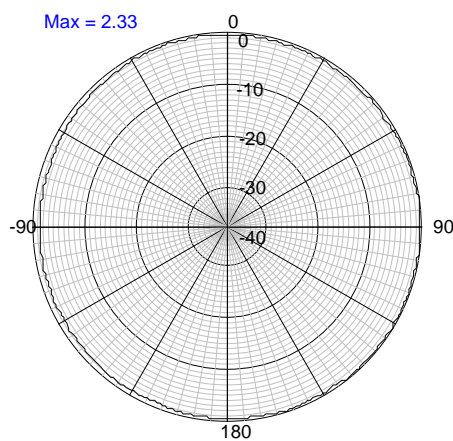
EI = 20 deg



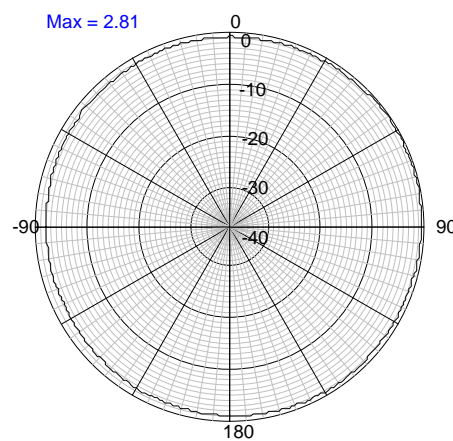
EI = 30 deg



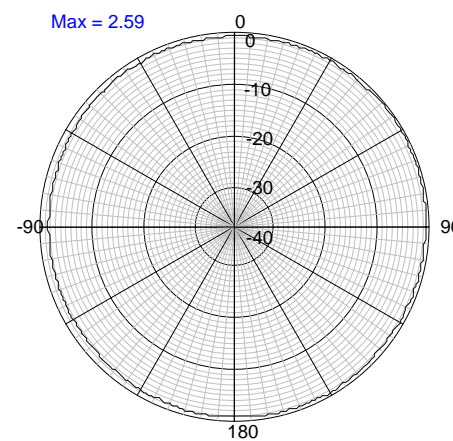
EI = 45 deg



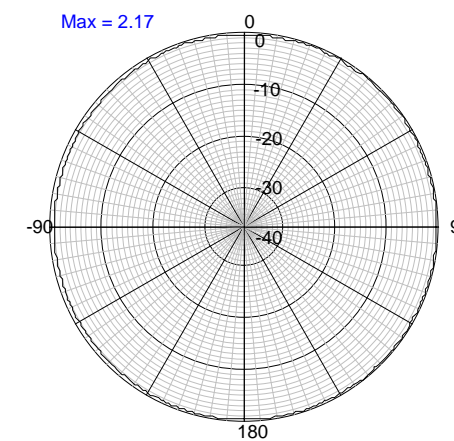
EI = 60 deg



EI = 70 deg



EI = 80 deg



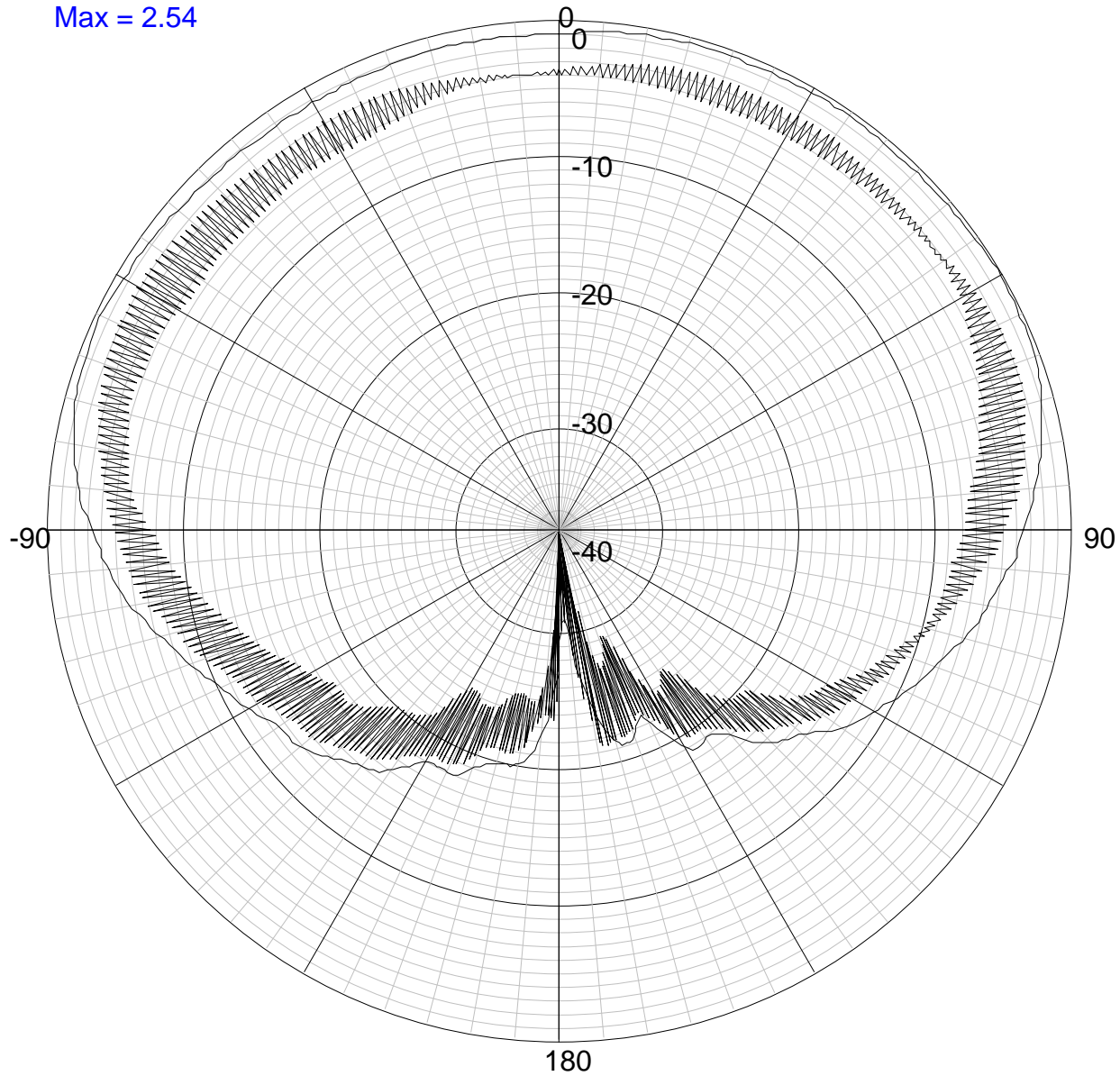


**Tx/Rx Globalstar Helix Antenna:**  
**P/N: 7XG1625LL-A1-XS-1F1, Axial Ratio Cuts for Rx Band**



ANTCOM CORPORATION . 1860 Carson Street, Suite 104 . Torrance, CA 90501 . Tel: (310) 782-1076 . Fax: (310) 782-1086 . E-mail: antcom@antcom.com . http://www.antcom.com

Max = 2.54





---

ANTCOM CORPORATION . 1860 Carson Street, Suite 104 . Torrance, CA 90501 . Tel: (310) 782-1076 . Fax: (310) 782-1086 . E-mail: [antcom@antcom.com](mailto:antcom@antcom.com) . <http://www.antcom.com>

**Tx/Rx Globalstar Helix Antenna,**  
**P/N: 73G1625LL-A1-XS-1F1,**  
**Return Loss, and Isolation of Tx/Rx Band**  
**without LNA (Passive) & with LNA (Active)**



# Tx/Rx Globalstar Helix Antennas: Passive Tx return Loss, S/N:2

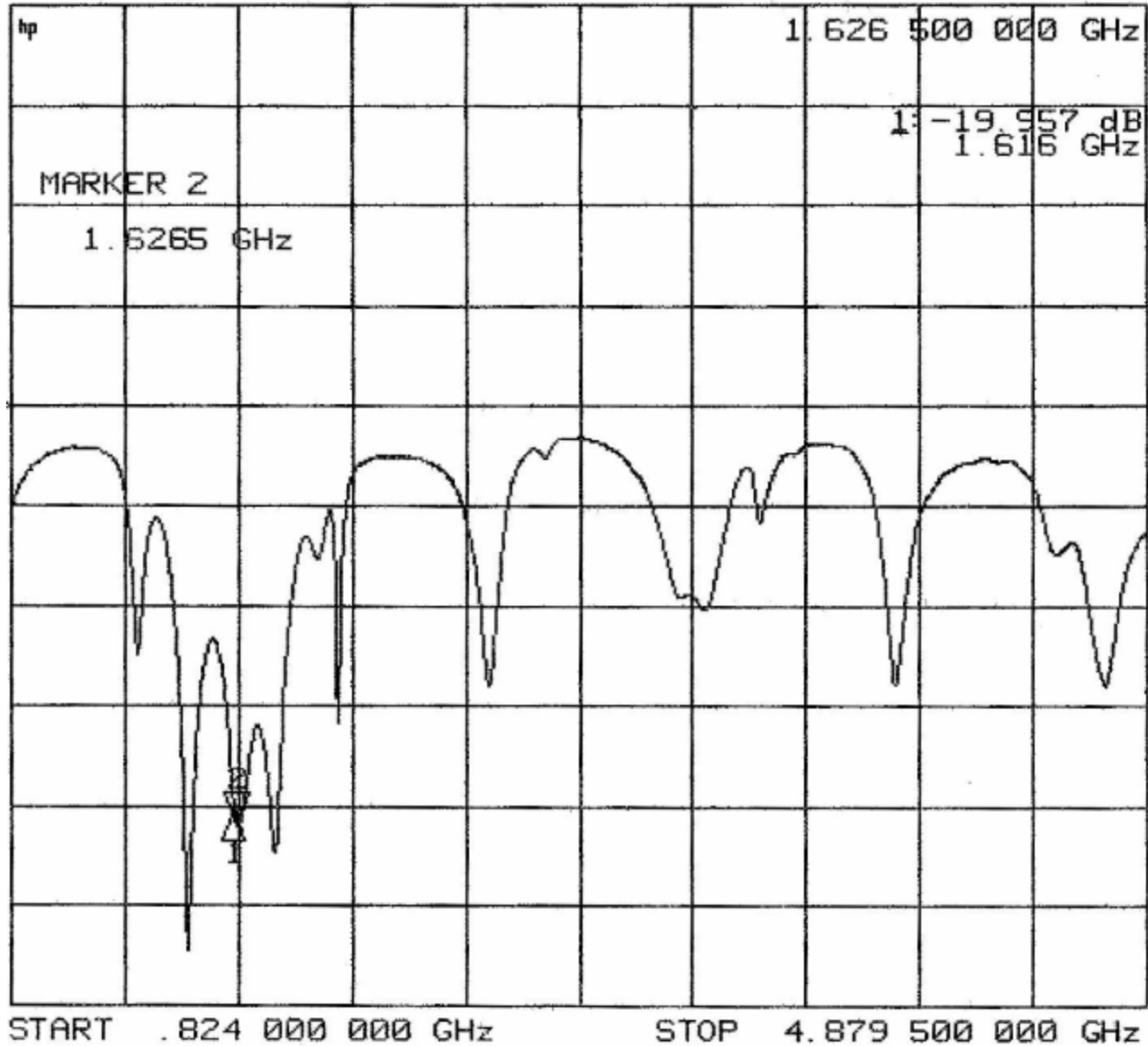
## P/N: 73G1625LL-A1-XS-1F1



ANTCOM CORPORATION . 1860 Carson Street, Suite 104 . Torrance, CA 90501 . Tel: (310) 782-1076 . Fax: (310) 782-1086 . E-mail: antcom@antcom.com . http://www.antcom.com

14 Apr 2004 15:08:09

MEM log MAG 5 dB/ REF 0 dB 2: -20.992 dB



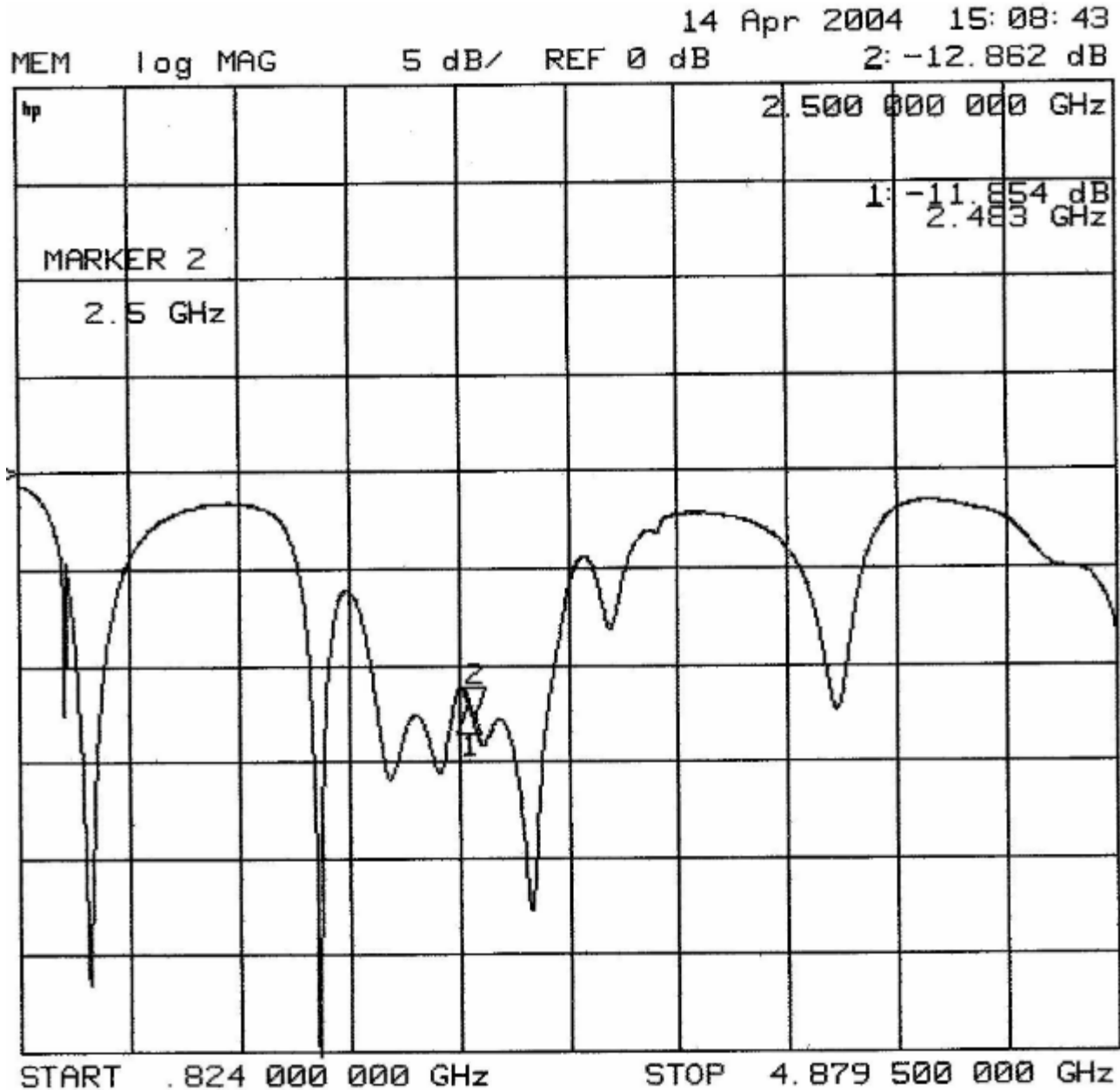


# Tx/Rx Globalstar Helix Antennas: Passive Rx Return Loss, S/N:2

## P/N: 73G1625LL-A1-XS-1F1



ANTCOM CORPORATION . 1860 Carson Street, Suite 104 . Torrance, CA 90501 . Tel: (310) 782-1076 . Fax: (310) 782-1086 . E-mail: antcom@antcom.com . http://www.antcom.com

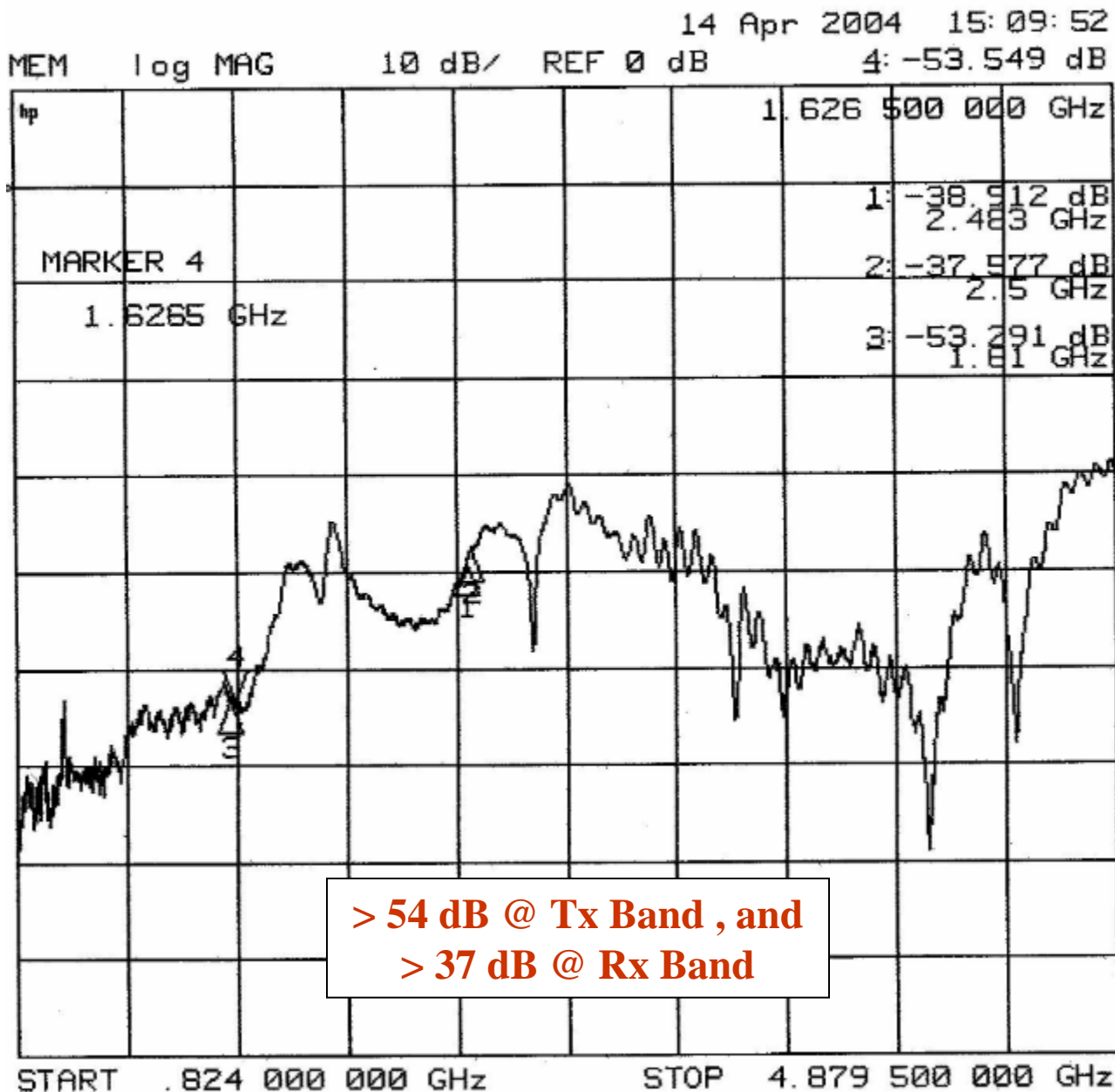




# Tx/Rx Globalstar Helix Antennas: Passive Tx/Rx Isolation, S/N:2 P/N: 73G1625LL-A1-XS-1F1



ANTCOM CORPORATION . 1860 Carson Street, Suite 104 . Torrance, CA 90501 . Tel: (310) 782-1076 . Fax: (310) 782-1086 . E-mail: antcom@antcom.com . http://www.antcom.com



**> 54 dB @ Tx Band , and  
> 37 dB @ Rx Band**



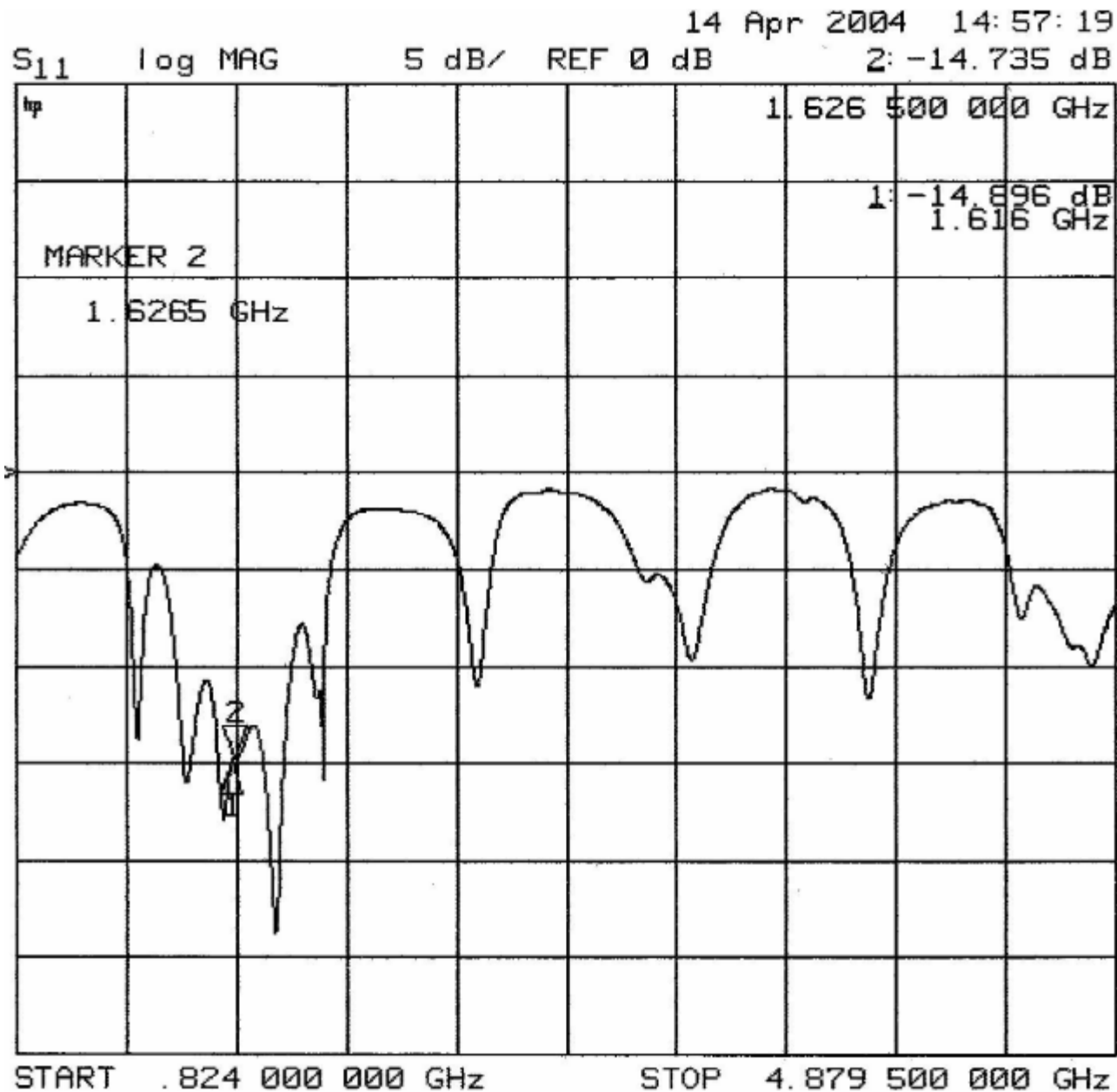


# Tx/Rx Globalstar Helix Antennas: Active Tx Return Loss, S/N: Nickel

## P/N: 73G1625LL-A1-XS-1F1



ANTCOM CORPORATION . 1860 Carson Street, Suite 104 . Torrance, CA 90501 . Tel: (310) 782-1076 . Fax: (310) 782-1086 . E-mail: antcom@antcom.com . http://www.antcom.com

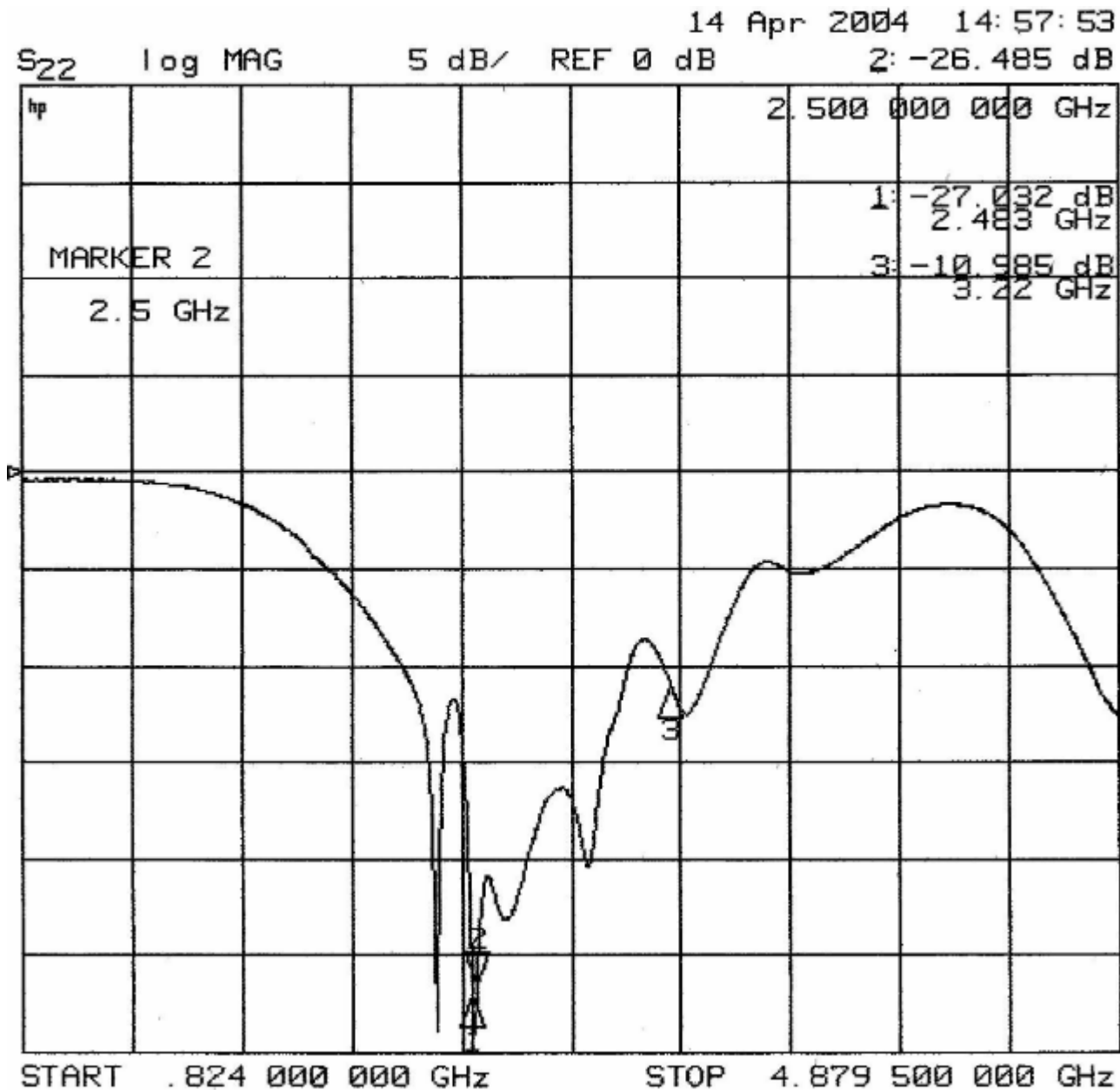




Tx/Rx Globalstar Helix Antennas: Active Rx Return Loss, S/N: Nickel  
P/N: 73G1625LL-A1-XS-1F1



ANTCOM CORPORATION . 1860 Carson Street, Suite 104 . Torrance, CA 90501 . Tel: (310) 782-1076 . Fax: (310) 782-1086 . E-mail: antcom@antcom.com . http://www.antcom.com



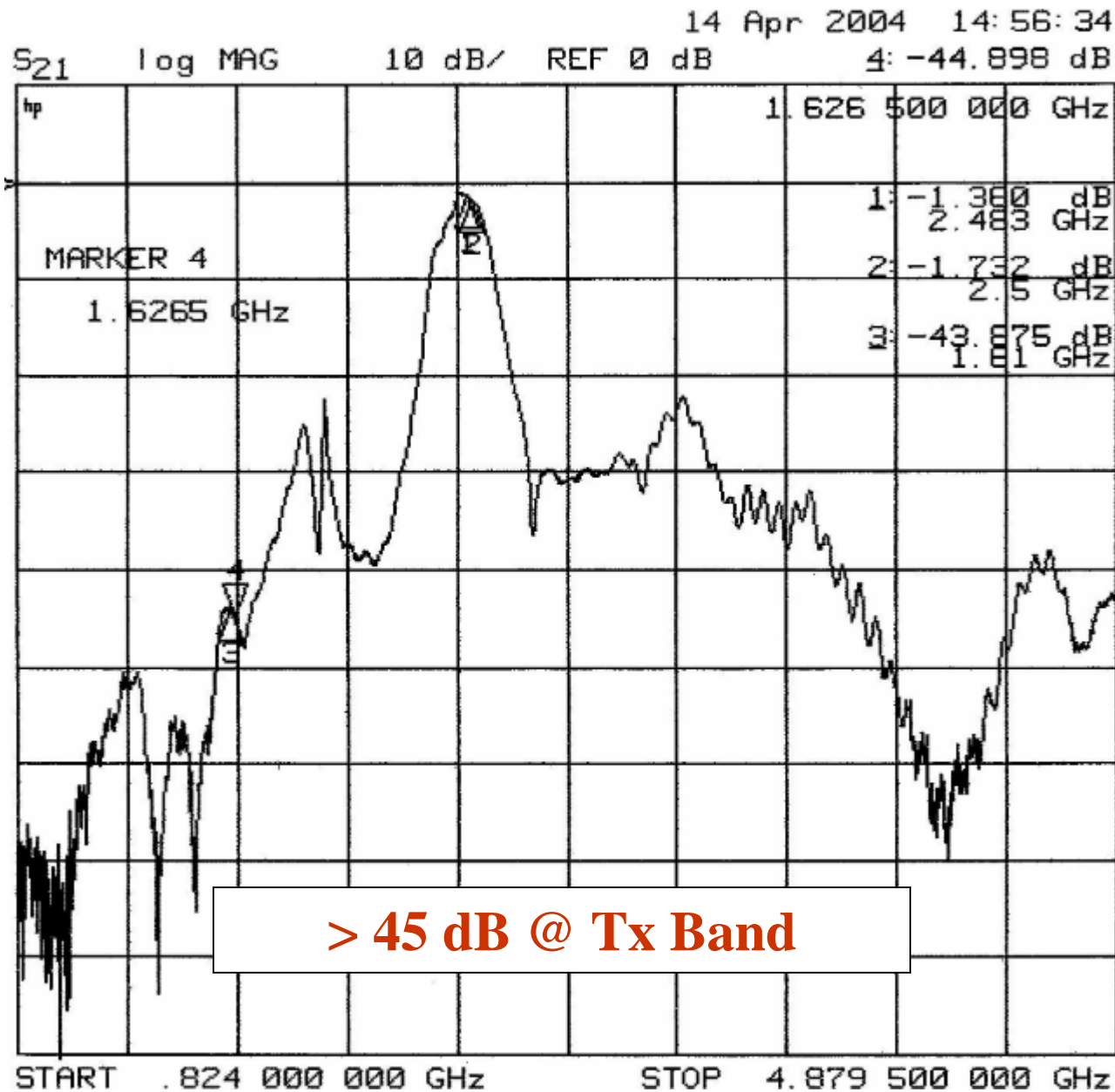


# Tx/Rx Globalstar Helix Antennas: Active Tx/Rx Isolation, S/N: Nickel

## P/N: 73G1625LL-A1-XS-1F1



ANTCOM CORPORATION . 1860 Carson Street, Suite 104 . Torrance, CA 90501 . Tel: (310) 782-1076 . Fax: (310) 782-1086 . E-mail: antcom@antcom.com . http://www.antcom.com



**> 45 dB @ Tx Band**



---

ANTCOM CORPORATION . 1860 Carson Street, Suite 104 . Torrance, CA 90501 . Tel: (310) 782-1076 . Fax: (310) 782-1086 . E-mail: [antcom@antcom.com](mailto:antcom@antcom.com) . <http://www.antcom.com>

**Tx/Rx Globalstar Helix Antenna,**  
**P/N: 73G1625LL-A1-XS-1F1,**  
**Amplifier/Filter Performance:**  
**(Input/Output Return Loss, Gain and Rejection**  
**@ Room Temperature, -65C, and +85C**

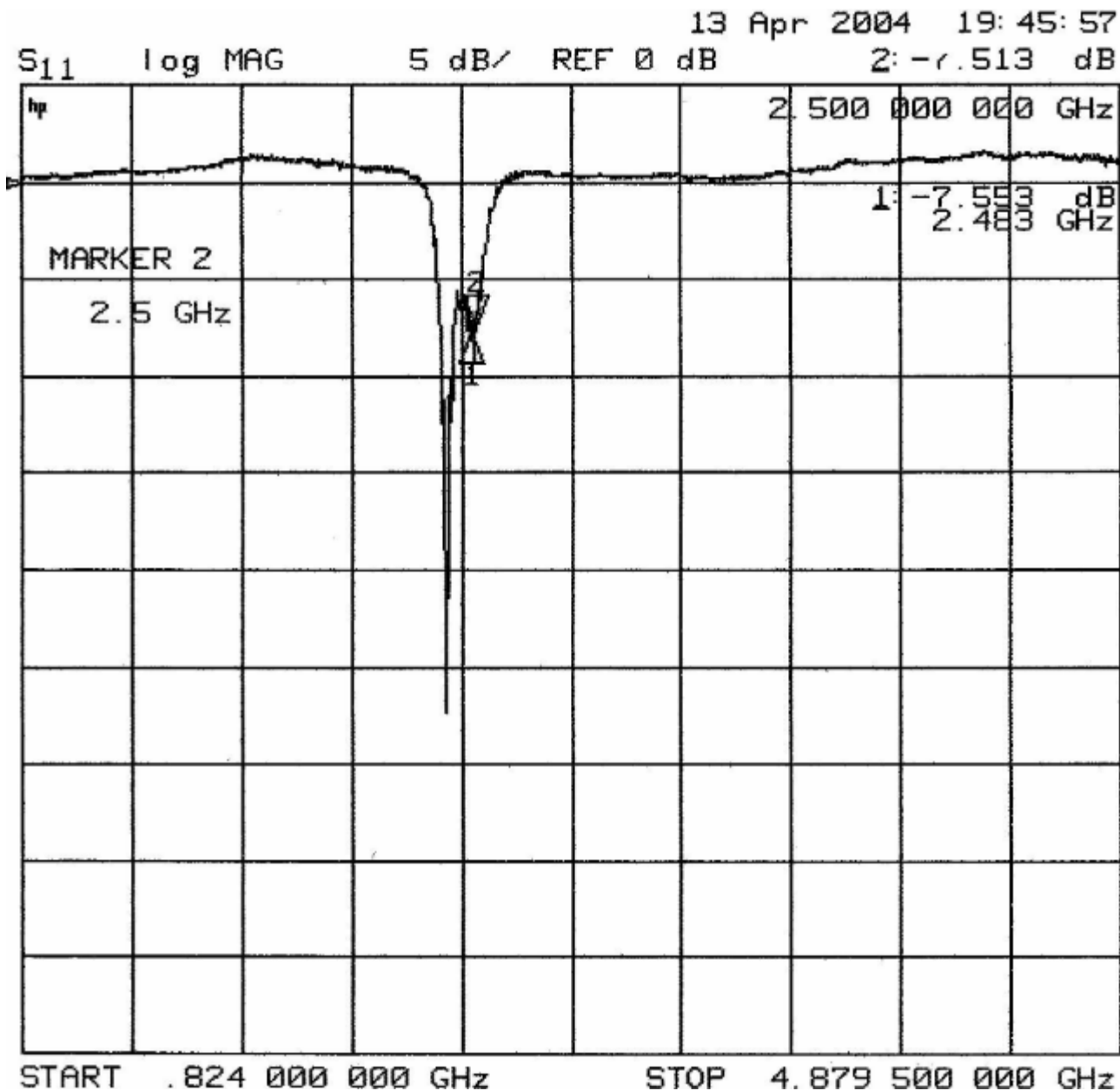


# Tx/Rx Globalstar Helix Antennas: Amp. Input Return Loss @ Room Temp.

## P/N: 73G1625LL-A1-XS-1F1



ANTCOM CORPORATION . 1860 Carson Street, Suite 104 . Torrance, CA 90501 . Tel: (310) 782-1076 . Fax: (310) 782-1086 . E-mail: antcom@antcom.com . http://www.antcom.com



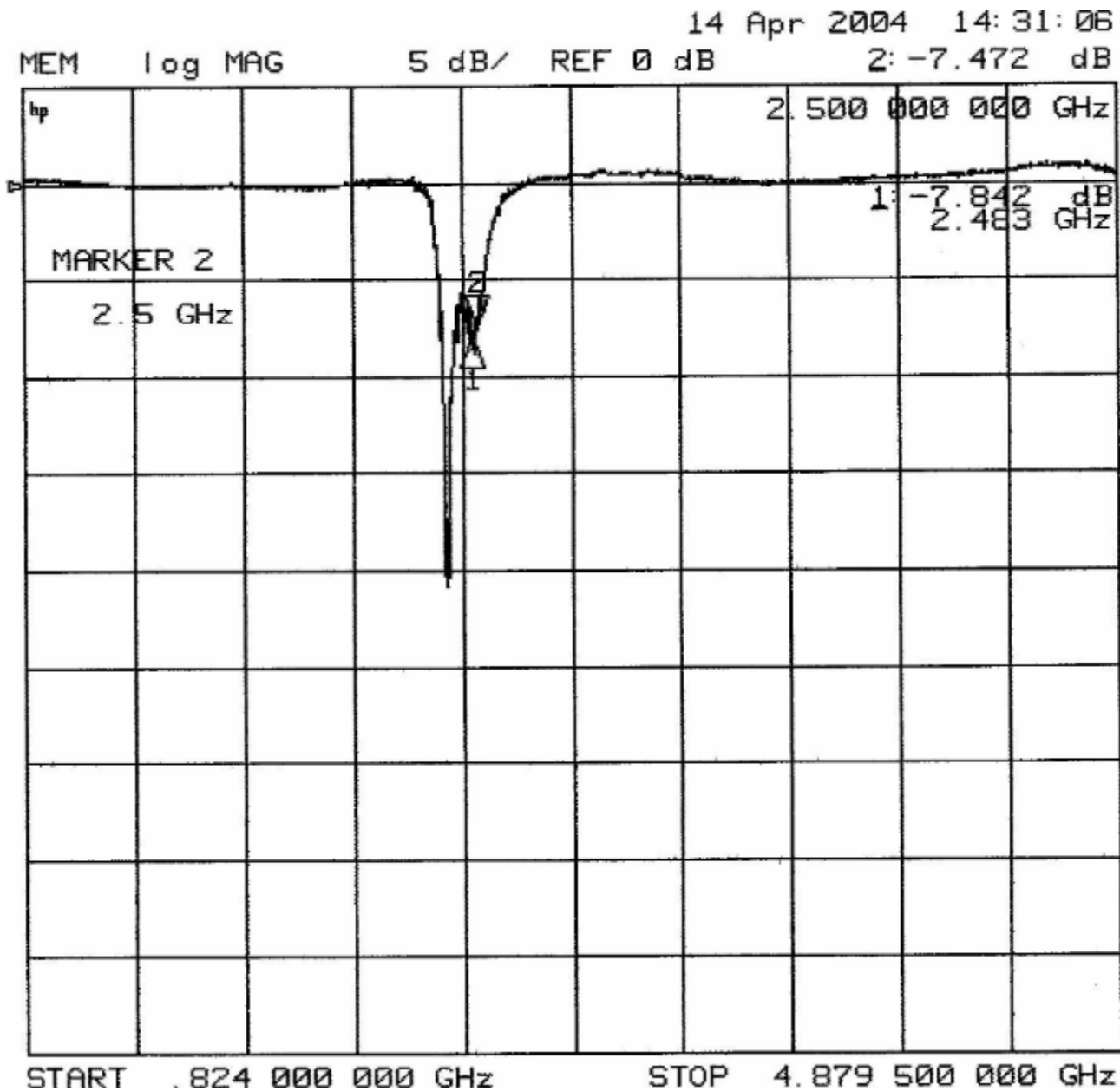


# Tx/Rx Globalstar Helix Antennas: Amp. Input Return Loss @ -65C

P/N: 73G1625LL-A1-XS-1F1



ANTCOM CORPORATION . 1860 Carson Street, Suite 104 . Torrance, CA 90501 . Tel: (310) 782-1076 . Fax: (310) 782-1086 . E-mail: antcom@antcom.com . http://www.antcom.com



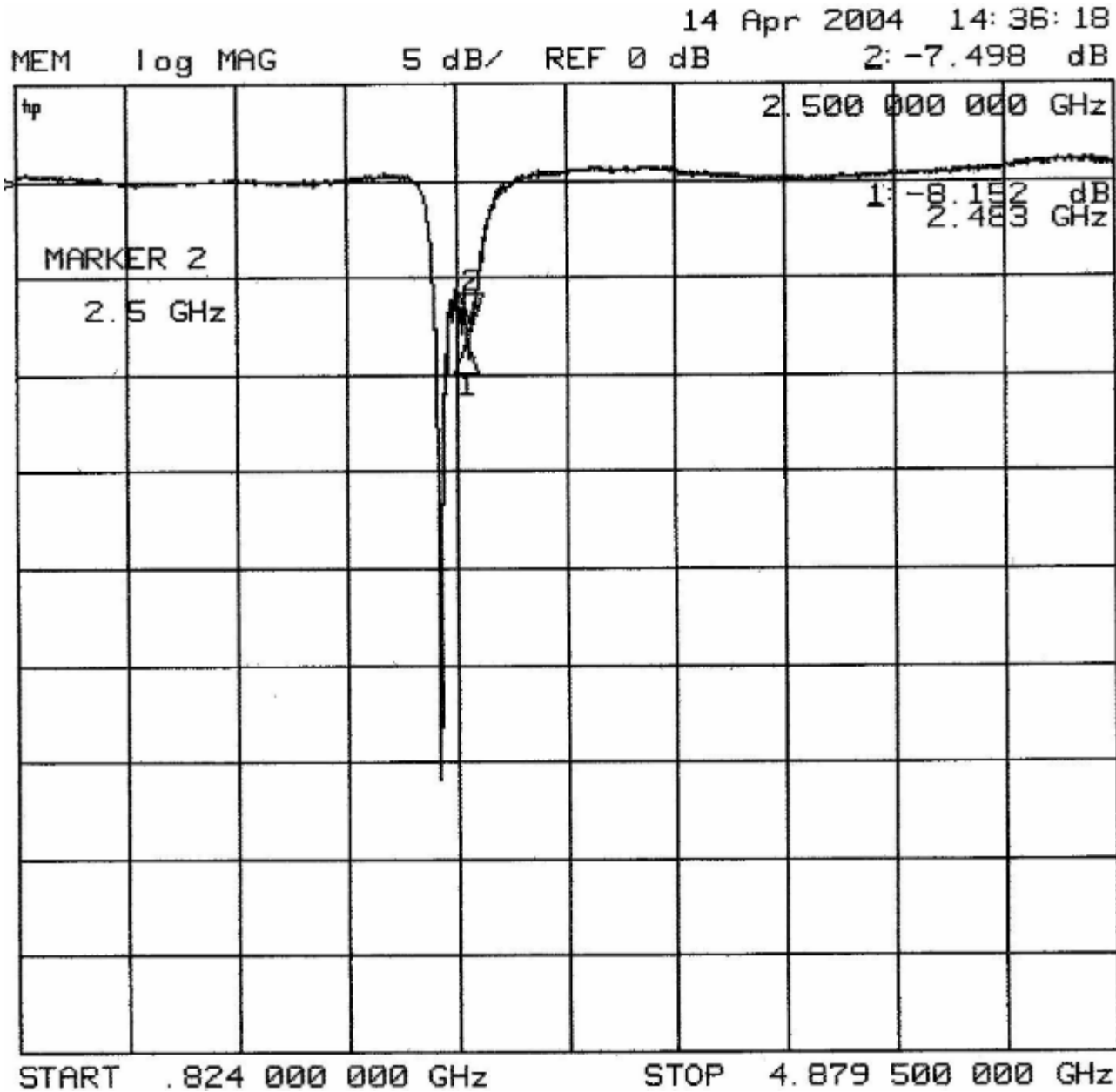


# Tx/Rx Globalstar Helix Antennas: Amp. Input Return Loss @ +85C

## P/N: 73G1625LL-A1-XS-1F1



ANTCOM CORPORATION . 1860 Carson Street, Suite 104 . Torrance, CA 90501 . Tel: (310) 782-1076 . Fax: (310) 782-1086 . E-mail: antcom@antcom.com . http://www.antcom.com



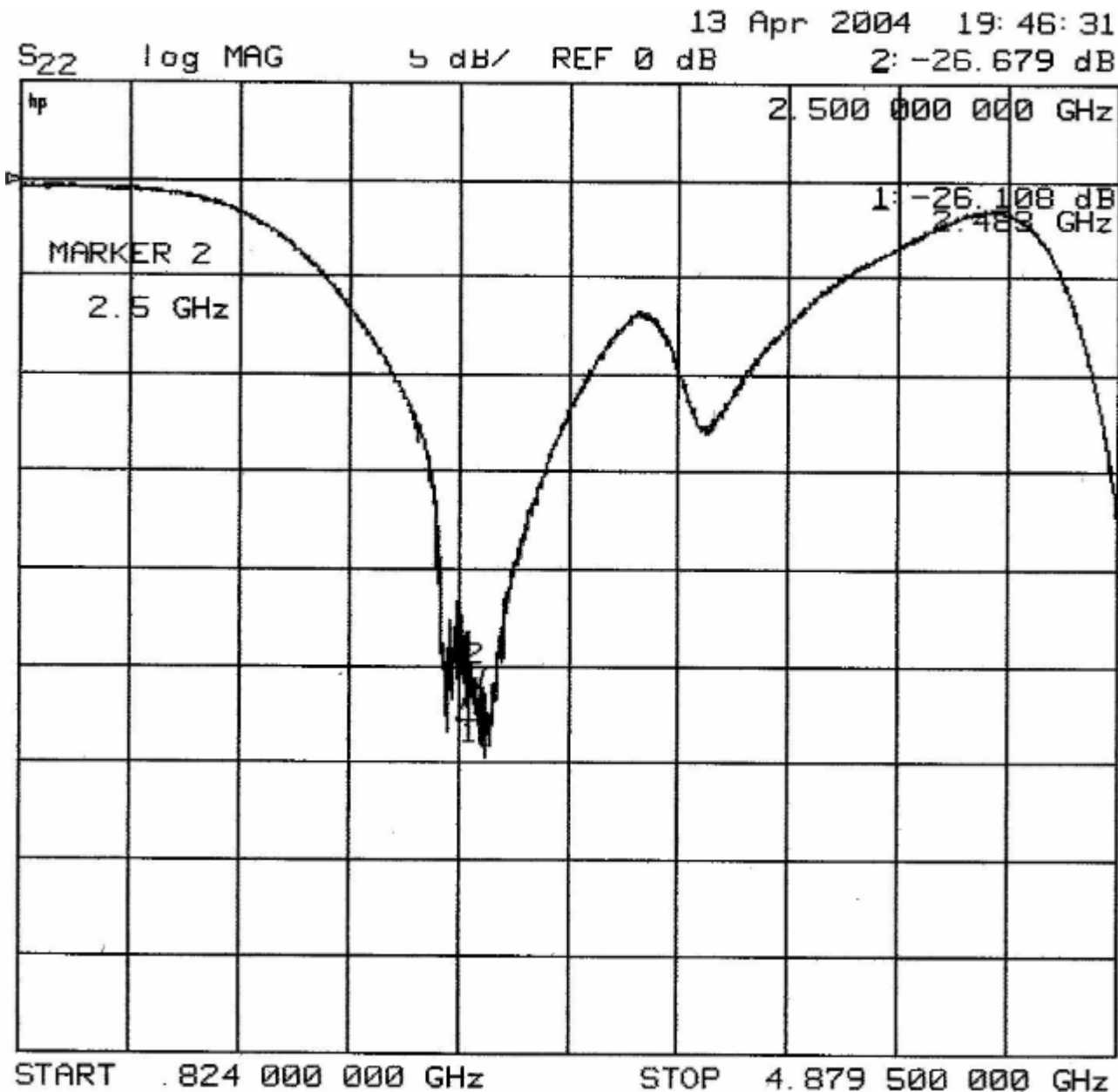


# Tx/Rx Globalstar Helix Antennas: Amp. Output Return Loss @ Room Temp.

P/N: 73G1625LL-A1-XS-1F1



ANTCOM CORPORATION . 1860 Carson Street, Suite 104 . Torrance, CA 90501 . Tel: (310) 782-1076 . Fax: (310) 782-1086 . E-mail: antcom@antcom.com . http://www.antcom.com





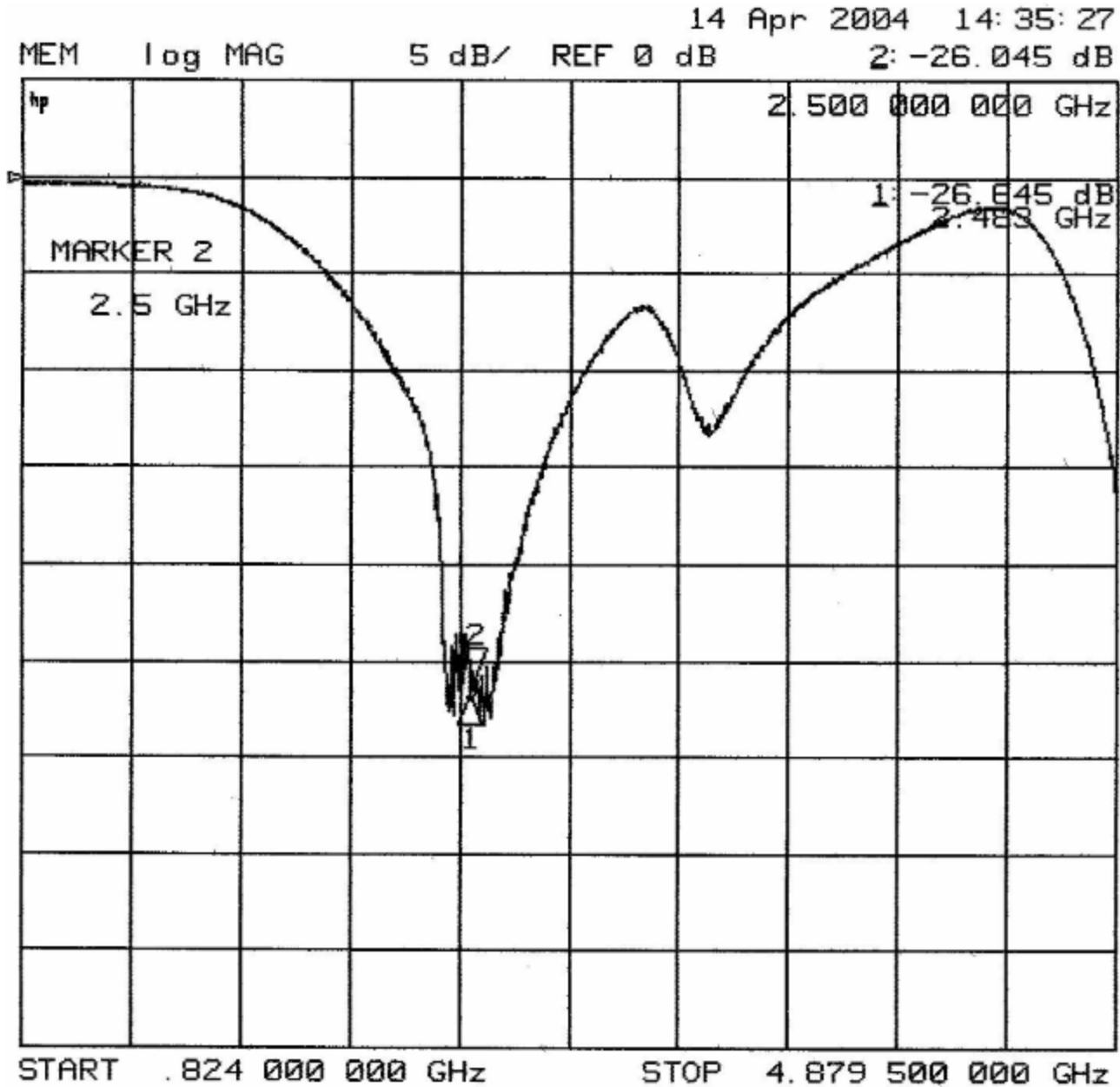


# Tx/Rx Globalstar Helix Antennas: Amp. Output Return Loss @ -65C

## P/N: 73G1625LL-A1-XS-1F1



ANTCOM CORPORATION . 1860 Carson Street, Suite 104 . Torrance, CA 90501 . Tel: (310) 782-1076 . Fax: (310) 782-1086 . E-mail: antcom@antcom.com . http://www.antcom.com



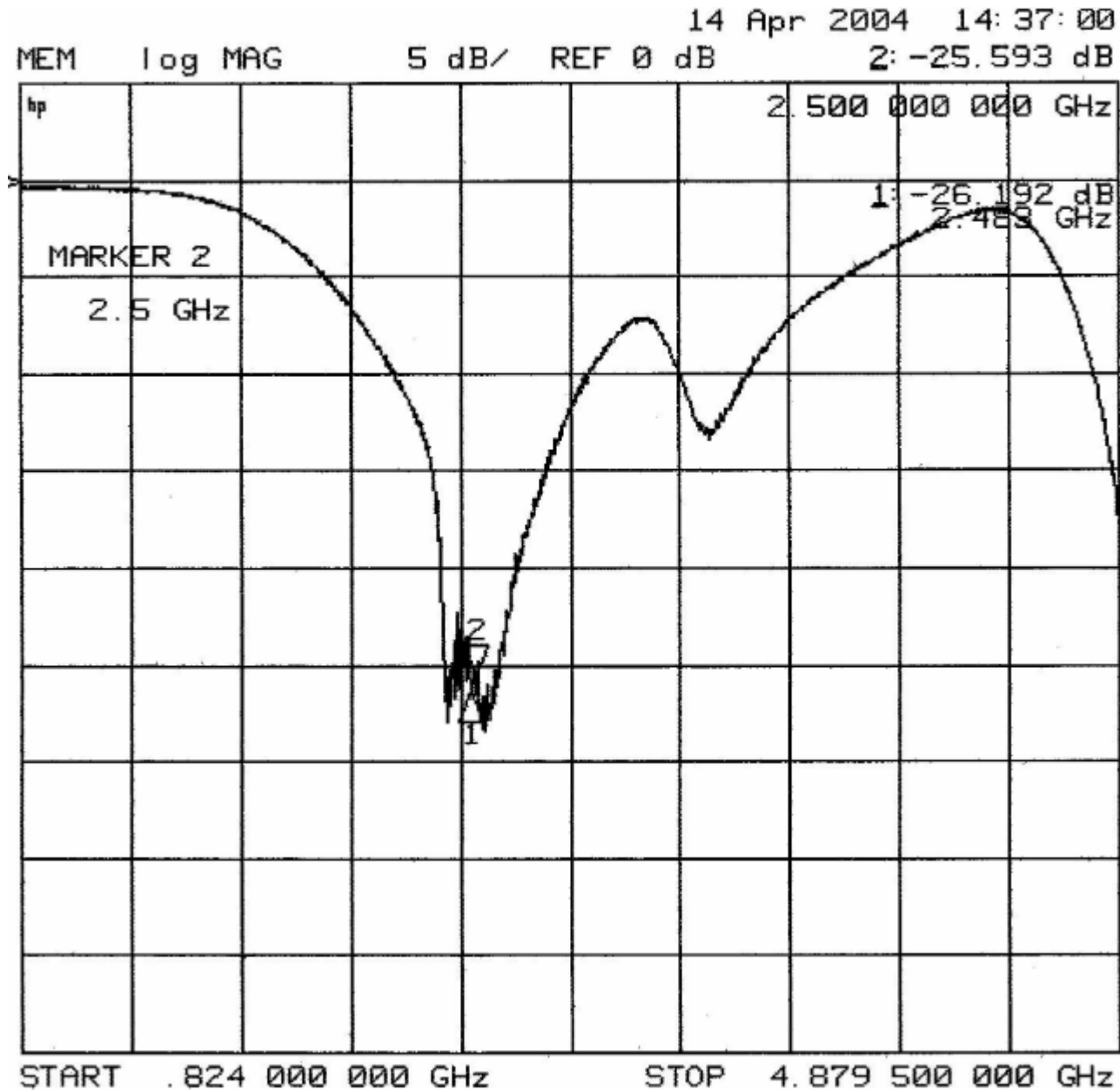


# Tx/Rx Globalstar Helix Antennas: Amp. Output Return Loss @ +85C

## P/N: 73G1625LL-A1-XS-1F1



ANTCOM CORPORATION . 1860 Carson Street, Suite 104 . Torrance, CA 90501 . Tel: (310) 782-1076 . Fax: (310) 782-1086 . E-mail: antcom@antcom.com . http://www.antcom.com



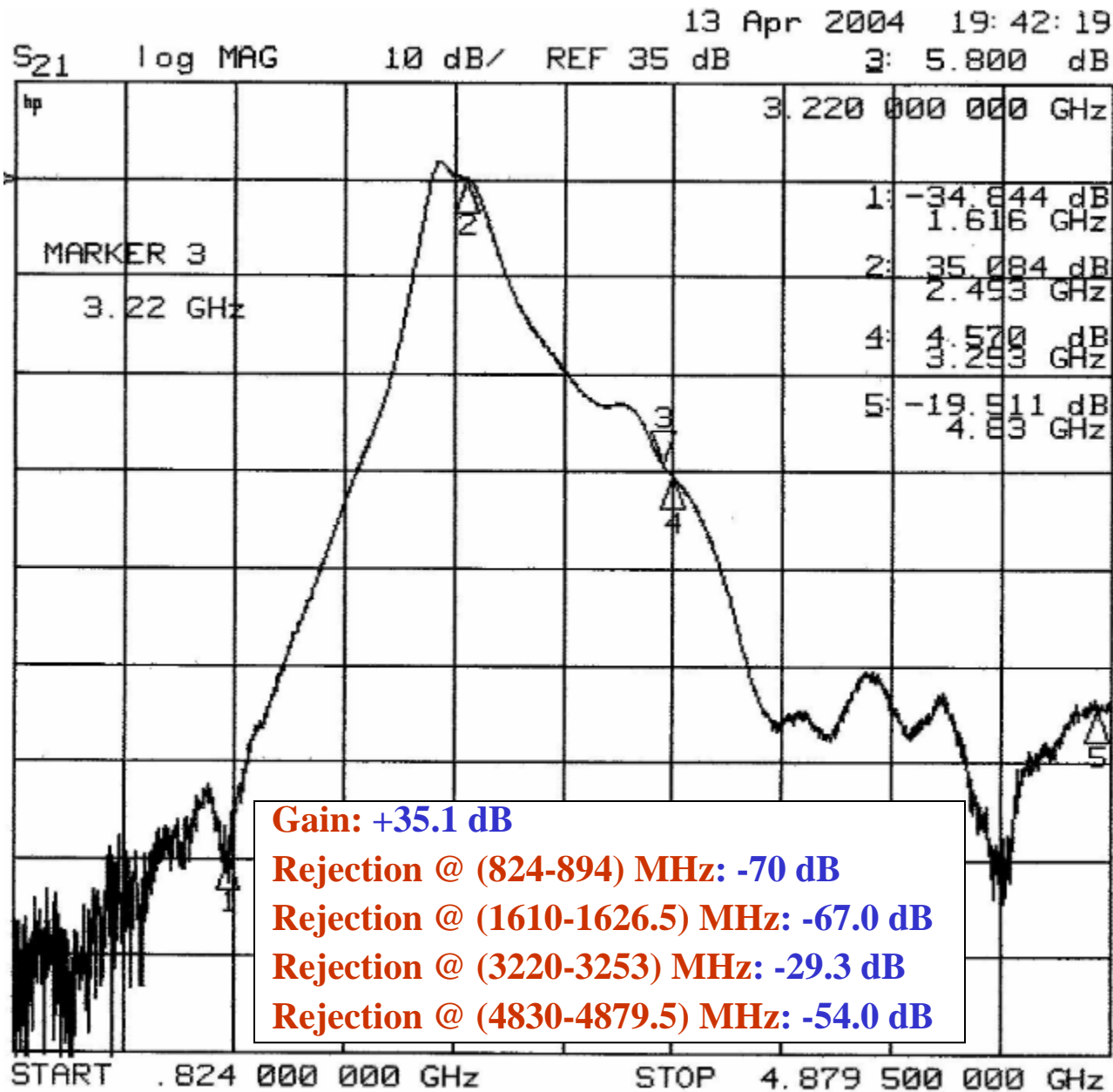


# Tx/Rx Globalstar Helix Antennas: Amp. Gain/Rejection @ Room Temp.

P/N: 73G1625LL-A1-XS-1F1



ANTCOM CORPORATION . 1860 Carson Street, Suite 104 . Torrance, CA 90501 . Tel: (310) 782-1076 . Fax: (310) 782-1086 . E-mail: antcom@antcom.com . http://www.antcom.com



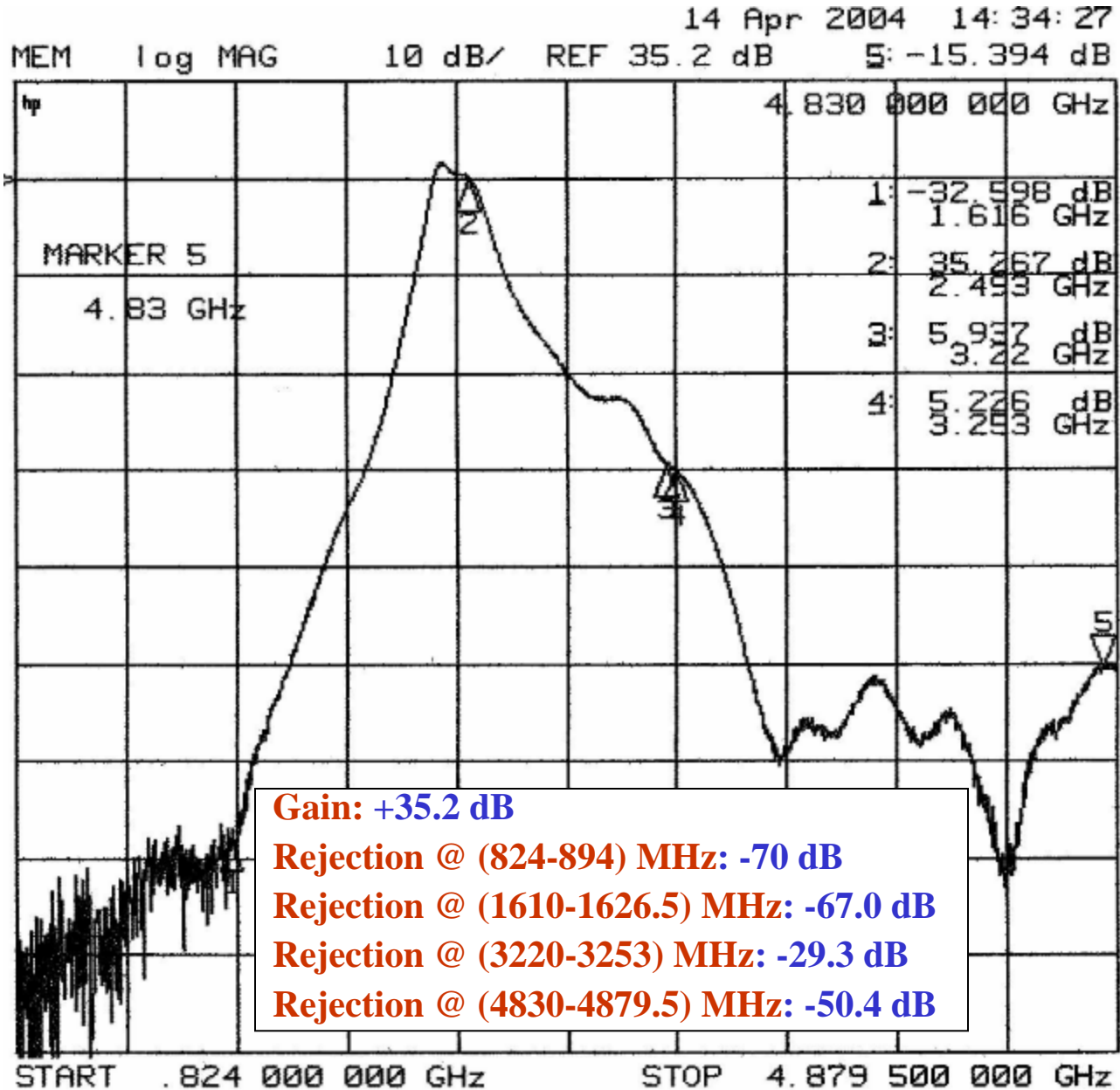


# Tx/Rx Globalstar Helix Antennas: Amp. Gain/Rejection @ -65C

## P/N: 73G1625LL-A1-XS-1F1



ANTCOM CORPORATION . 1860 Carson Street, Suite 104 . Torrance, CA 90501 . Tel: (310) 782-1076 . Fax: (310) 782-1086 . E-mail: antcom@antcom.com . http://www.antcom.com



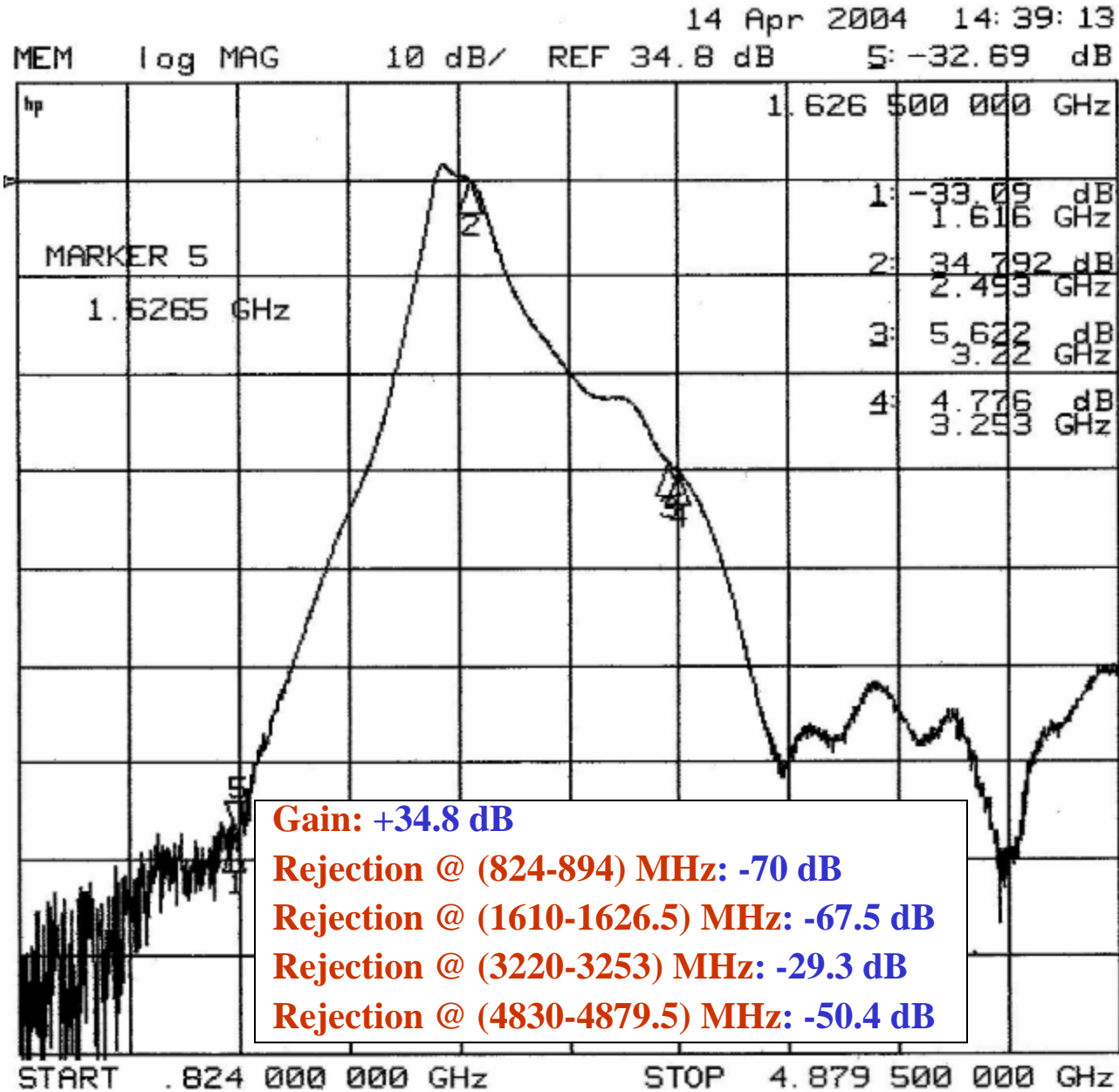


# Tx/Rx Globalstar Helix Antennas: Amp. Gain/Rejection @ +85C

## P/N: 73G1625LL-A1-XS-1F1



ANTCOM CORPORATION . 1860 Carson Street, Suite 104 . Torrance, CA 90501 . Tel: (310) 782-1076 . Fax: (310) 782-1086 . E-mail: antcom@antcom.com . http://www.antcom.com





---

ANTCOM CORPORATION . 1860 Carson Street, Suite 104 . Torrance, CA 90501 . Tel: (310) 782-1076 . Fax: (310) 782-1086 . E-mail: [antcom@antcom.com](mailto:antcom@antcom.com) . <http://www.antcom.com>

**Tx/Rx Globalstar Helix Antenna,**  
**P/N: 73G1625LL-A1-XS-1F1,**  
**Tx Harmonics Performance**  
**From 500MHz to 20 GHz**



# Tx/Rx Globalstar Helix Antennas: Tx Harmonics, S/N: Nickel

## P/N: 73G1625LL-A1-XS-1F1



ANTCOM CORPORATION . 1860 Carson Street, Suite 104 . Torrance, CA 90501 . Tel: (310) 782-1076 . Fax: (310) 782-1086 . E-mail: antcom@antcom.com . http://www.antcom.com

