

## System Check\_Head\_2450MHz

### DUT: D2450V2-736

Communication System: CW; Frequency: 2450 MHz; Duty Cycle: 1:1

Medium: HSL\_2450\_220115 Medium parameters used :  $f = 2450$  MHz;  $\sigma = 1.814$  S/m;  $\epsilon_r = 38.152$ ;  $\rho = 1000$  kg/m<sup>3</sup>

Ambient Temperature : 23.5 °C ; Liquid Temperature : 22.5 °C

DASY5 Configuration:

- Probe: EX3DV4 - SN7439; ConvF(7.52, 7.52, 7.52) @ 2450 MHz; Calibrated: 2021/2/23
- Sensor-Surface: 1.4mm (Mechanical Surface Detection)
- Electronics: DAE4 Sn854; Calibrated: 2021/8/19
- Phantom: ELI v4.0; Type: QDOVA001BB; Serial: 1026
- Measurement SW: DASY52, Version 52.10 (4); SEMCAD X Version 14.6.14 (7483)

**Pin=50mW/Area Scan (71x71x1):** Interpolated grid: dx=1.200 mm, dy=1.200 mm

Maximum value of SAR (interpolated) = 4.41 W/kg

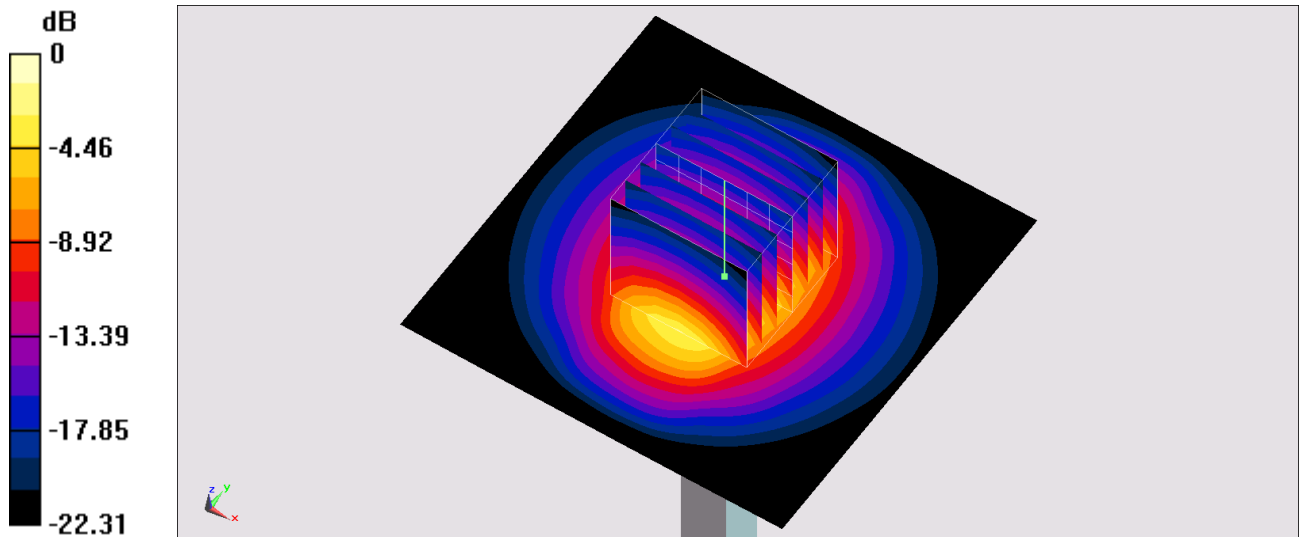
**Pin=50mW/Zoom Scan (7x7x7)/Cube 0:** Measurement grid: dx=5mm, dy=5mm, dz=5mm

Reference Value = 51.22 V/m; Power Drift = -0.05 dB

Peak SAR (extrapolated) = 5.44 W/kg

**SAR(1 g) = 2.6 W/kg; SAR(10 g) = 1.21 W/kg**

Maximum value of SAR (measured) = 4.38 W/kg



0 dB = 4.38 W/kg = 6.41 dBW/kg

## System Check\_Head\_5250MHz

### DUT: D5GHzV2-1006

Communication System: CW; Frequency: 5250 MHz; Duty Cycle: 1:1

Medium: HSL\_5G\_220116 Medium parameters used :  $f = 5250$  MHz;  $\sigma = 4.917$  S/m;  $\epsilon_r = 37.439$ ;  $\rho = 1000$  kg/m<sup>3</sup>

Ambient Temperature : 23.5 °C; Liquid Temperature : 22.5 °C

DASY5 Configuration:

- Probe: EX3DV4 - SN7439; ConvF(5.23, 5.23, 5.23) @ 5250 MHz; Calibrated: 2021/2/23
- Sensor-Surface: 1.4mm (Mechanical Surface Detection)
- Electronics: DAE4 Sn854; Calibrated: 2021/8/19
- Phantom: ELI v4.0; Type: QDOVA001BB; Serial: 1026
- Measurement SW: DASY52, Version 52.10 (4); SEMCAD X Version 14.6.14 (7483)

**Pin=50mW/Area Scan (71x71x1):** Interpolated grid: dx=1.000 mm, dy=1.000 mm

Maximum value of SAR (interpolated) = 10.3 W/kg

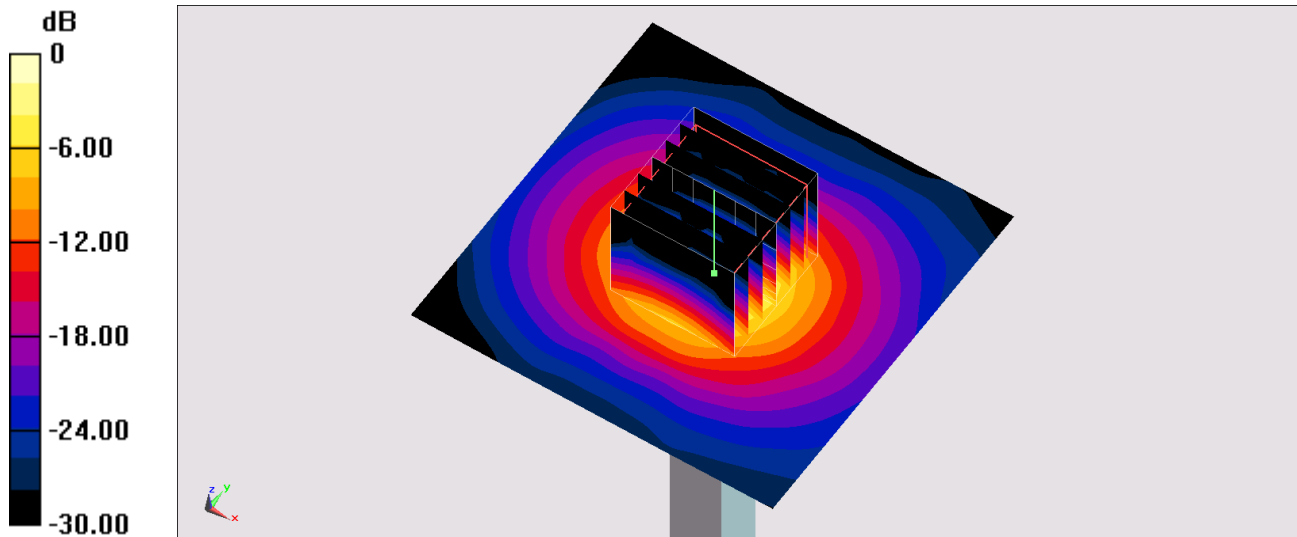
**Pin=50mW/Zoom Scan (7x7x7)/Cube 0:** Measurement grid: dx=4mm, dy=4mm, dz=1.4mm

Reference Value = 51.18 V/m; Power Drift = -0.10 dB

Peak SAR (extrapolated) = 17.4 W/kg

**SAR(1 g) = 4.32 W/kg; SAR(10 g) = 1.23 W/kg**

Maximum value of SAR (measured) = 10.9 W/kg



0 dB = 10.9 W/kg = 10.37 dBW/kg

## System Check\_Head\_5600MHz

### DUT: D5GHzV2-1006

Communication System: CW; Frequency: 5600 MHz; Duty Cycle: 1:1

Medium: HSL\_5G\_220116 Medium parameters used:  $f = 5600$  MHz;  $\sigma = 5.278$  S/m;  $\epsilon_r = 36.87$ ;  $\rho = 1000$  kg/m<sup>3</sup>

Ambient Temperature : 23.5 °C ; Liquid Temperature : 22.5 °C

DASY5 Configuration:

- Probe: EX3DV4 - SN7439; ConvF(4.59, 4.59, 4.59) @ 5600 MHz; Calibrated: 2021/2/23
- Sensor-Surface: 1.4mm (Mechanical Surface Detection)
- Electronics: DAE4 Sn854; Calibrated: 2021/8/19
- Phantom: ELI v4.0; Type: QDOVA001BB; Serial: 1026
- Measurement SW: DASY52, Version 52.10 (4); SEMCAD X Version 14.6.14 (7483)

**Pin=50mW/Area Scan (71x71x1):** Interpolated grid: dx=1.000 mm, dy=1.000 mm

Maximum value of SAR (interpolated) = 11.6 W/kg

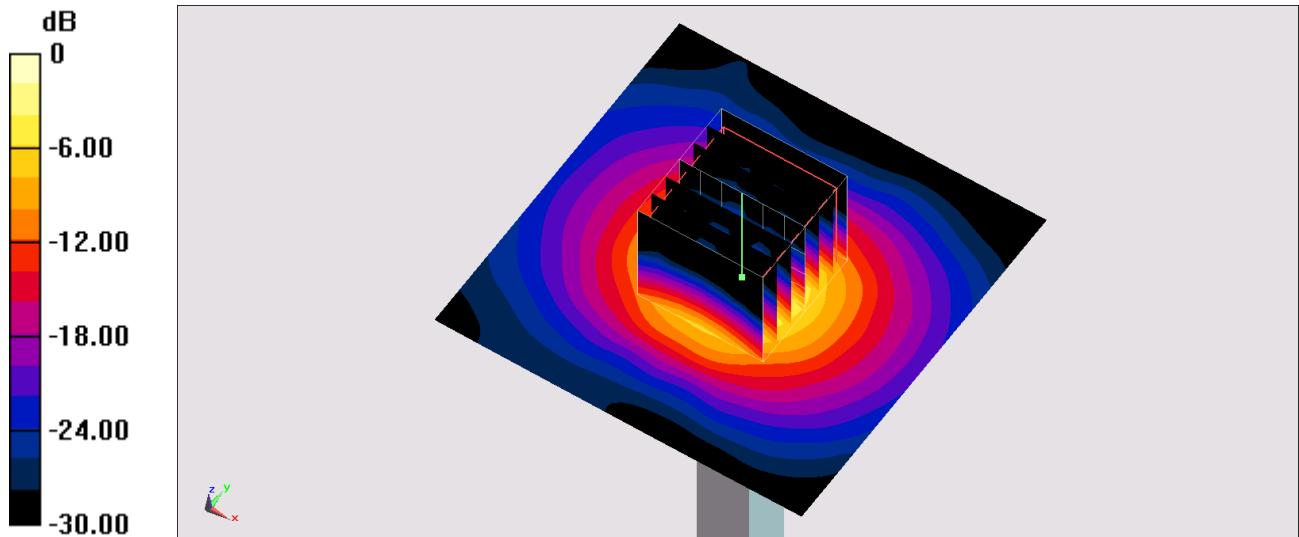
**Pin=50mW/Zoom Scan (7x7x7)/Cube 0:** Measurement grid: dx=4mm, dy=4mm, dz=1.4mm

Reference Value = 52.31 V/m; Power Drift = -0.13 dB

Peak SAR (extrapolated) = 20.7 W/kg

**SAR(1 g) = 4.54 W/kg; SAR(10 g) = 1.29 W/kg**

Maximum value of SAR (measured) = 12.3 W/kg



0 dB = 12.3 W/kg = 10.90 dBW/kg

## System Check\_Head\_5750MHz

### DUT: D5GHzV2-1006

Communication System: CW; Frequency: 5750 MHz; Duty Cycle: 1:1

Medium: HSL\_5G\_220116 Medium parameters used:  $f = 5750$  MHz;  $\sigma = 5.469$  S/m;  $\epsilon_r = 36.87$ ;  $\rho = 1000$  kg/m<sup>3</sup>

Ambient Temperature : 23.5 °C ; Liquid Temperature : 22.5 °C

DASY5 Configuration:

- Probe: EX3DV4 - SN7439; ConvF(4.81, 4.81, 4.81) @ 5750 MHz; Calibrated: 2021/2/23
- Sensor-Surface: 1.4mm (Mechanical Surface Detection)
- Electronics: DAE4 Sn854; Calibrated: 2021/8/19
- Phantom: ELI v4.0; Type: QDOVA001BB; Serial: 1026
- Measurement SW: DASY52, Version 52.10 (4); SEMCAD X Version 14.6.14 (7483)

**Pin=50mW/Area Scan (71x71x1):** Interpolated grid: dx=1.000 mm, dy=1.000 mm

Maximum value of SAR (interpolated) = 10.0 W/kg

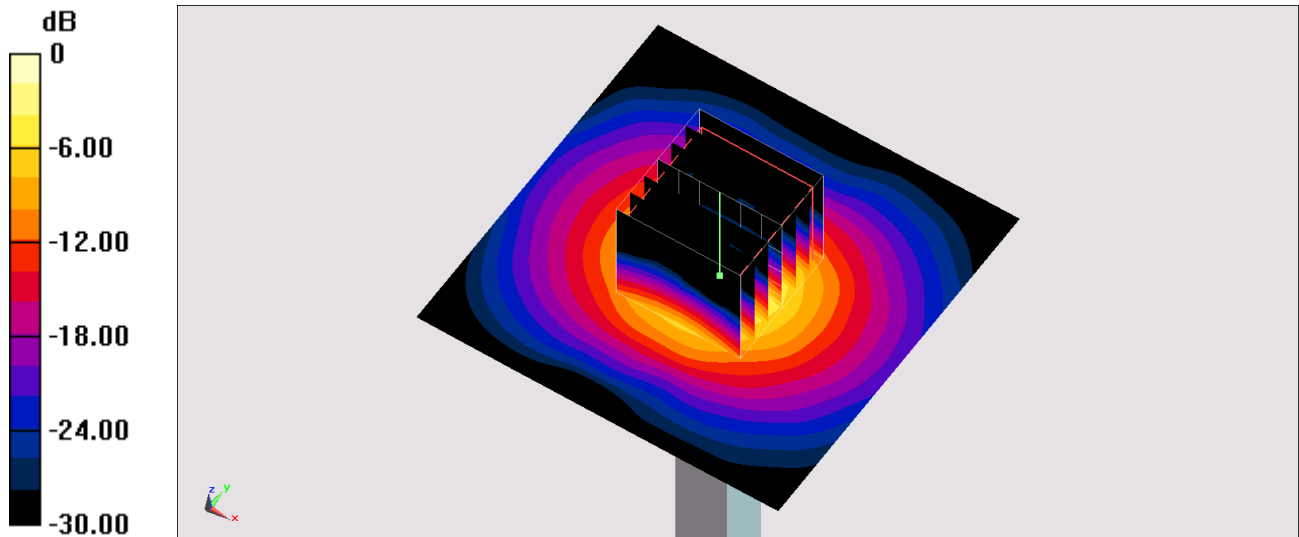
**Pin=50mW/Zoom Scan (7x7x7)/Cube 0:** Measurement grid: dx=4mm, dy=4mm, dz=1.4mm

Reference Value = 47.60 V/m; Power Drift = -0.11 dB

Peak SAR (extrapolated) = 18.5 W/kg

**SAR(1 g) = 4.08 W/kg; SAR(10 g) = 1.16 W/kg**

Maximum value of SAR (measured) = 10.8 W/kg



### System Check\_Head\_6500MHz\_220115\_Dipole1003

Communication System: Validation band; Frequency: 6500.0  
Medium: HSL\_6G\_220115. Medium parameters used:  $f=6500.0$  MHz;  $\sigma=6.08$  S/m;  $\epsilon_r=34.0$

Ambient Temperature: 23.5°C; Liquid Temperature: 22.5°C

#### DASY6 Configuration:

- Probe: EX3DV4 - SN7439; ConvF(5.7, 5.7, 5.7); Calibrated: 2021-02-23
- Sensor-Surface: 1.4 mm
- Electronics: DAE4 Sn854; Calibrated: 2021-08-19
- Phantom: ELI V5.0 (20deg probe tilt); Serial: 1238; Section: Flat
- Measurement Software: cDASY6 V6.6.0.13926
- UID: CW, 0--
- MAIA: Area Scan: N/A; Zoom Scan: N/A

**Area Scan (51.0 mm x 51.0 mm):** Measurement Grid: 8.5 mm x 8.5 mm SAR  
(1g) = 21.9 W/kg; SAR (10g) = 4.76 W/kg;

**Zoom Scan (23.8 mm x 23.8 mm x 22.0 mm):** Measurement Grid: 3.4 mm x 3.4 mm x 1.4 mm  
Power Drift = 0.02 dB  
SAR (1g) = 28.1 W/kg; SAR (10g) = 5.27 W/kg;

