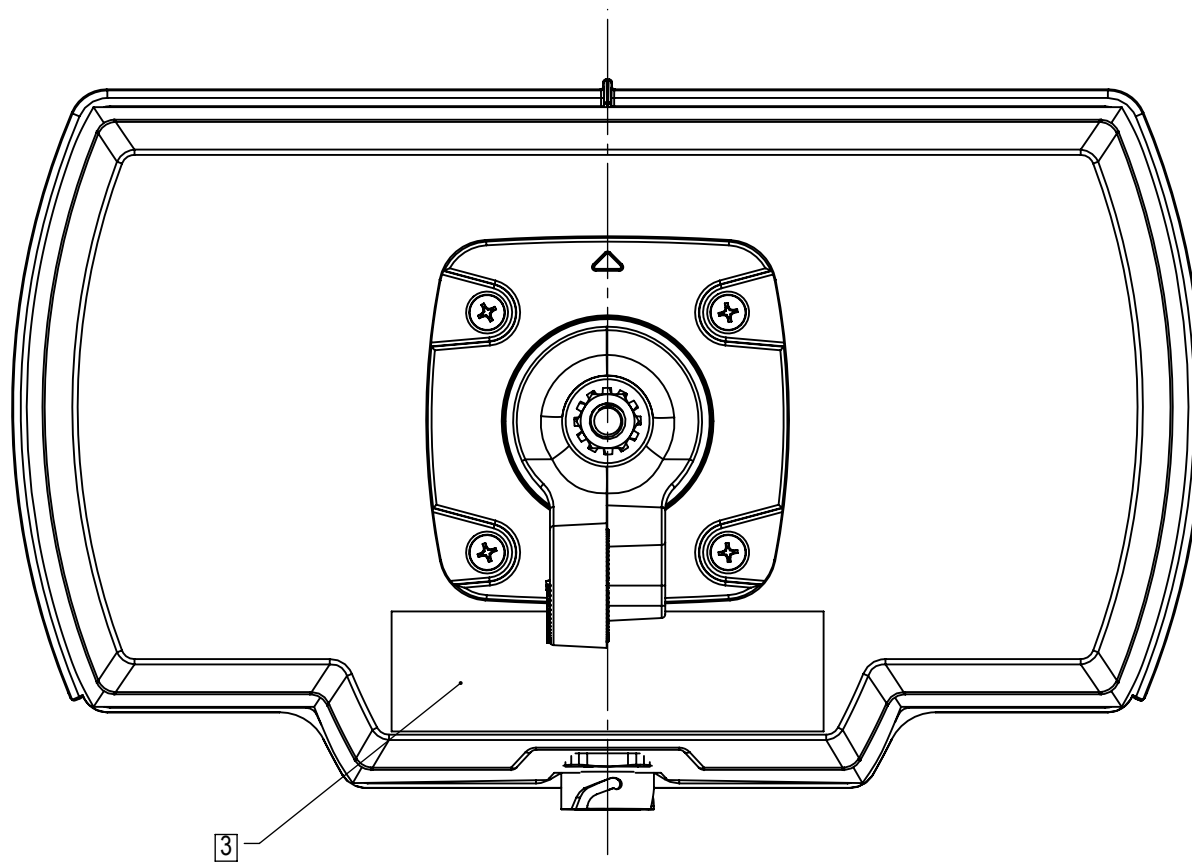


THE INFORMATION CONTAINED IN THIS DRAWING IS THE SOLE PROPERTY OF IMAGE SENSING SYSTEMS INC. ANY REPRODUCTION IN PART OR WHOLE WITHOUT THE WRITTEN PERMISSION OF IMAGE SENSING SYSTEMS INCORPORATED IS PROHIBITED.

NOTES:

1. This assembly is constructed of RoHS compliant components and must use RoHS compliant construction materials to maintain assembly compliance.
2. Refer to bill of material (ISS P/N A700-1280_latest revision) for component part numbers, descriptions and rules about making component substitutions.
3. Install Label (Item 13) with it centered on the back of the Main Assembly Surface as shown.



Used On	Revision History			
Document Number	ECO Number	Rev	Date	Description
A700-1280	000023	A	11/18/19	Initial Release.

<p>THIRD ANGLE PROJECTION</p> <p>TOLERANCING IN ACCORDANCE WITH ASME 14.5M-1994</p> <p>ALL UNTOLERANCED DIMENSIONS ARE CONTROLLED BY: X.X +/-0.8 ANGLES +/- 1 deg X.XX +/- 0.30</p> <p>MATERIAL NA</p> <p>UNITS ARE IN mm [in]</p>	SCALE=1:2	<p>Image Sensing Systems Inc.</p> <p>1600 University Ave. W. St. Paul, MN. 55104 651-603-7700</p> <p>Confidential Information</p>		
	Dim: mm [in]	DR: RPO	11/18/2019	Title
	CHK: -	ENG: -	-	Label, Placement Echo RTMS
	APP:			Sheet 1 of 1
			Size B	P/N A650-1280-21
				Rev A