

SPECIFICATIONS:

ANTENNA TYPE: OMNIDIRECTIONAL, SLEEVE DIPOLE ANTENNA

1. ELECTRICAL CHARACTERISTICS:

- 1-1 LOW LEVEL CONTACT RESISTANCE: 20 mini- ohms Max.
- 1-2 PRODUCT VSWR IN 5.15 GHZ TO 5.35 GHZ IN FREE AIR : 2.0 Max..
- 1-3 INSULATION RESISTANCE : 5000 M ohms Min.
- 1-4 DIELECTRIC WITHSTANDING VOLTAGE : 500 VAC
- 1-5 IMPEDANCE : 50 ohms.
- 1-6 CONNECTOR VSWR : 1.5 Max..
- 1-7 PRODUCT AVERAGE GAIN IN 5.15 TO 5.35 GHZ IN FREE AIR : -6 dB Min
- 1-8 PRODUCT PEAK GAIN IN 5.15 TO 5.35 GHZ IN FREE AIR : 2 dB Max

2. MECHANICAL CHARACTERISTICS:

- 2-1 MECHANICAL SHOCK : No discontinuity > 1 μ s per Method EIA-364-27B.
- 2-2 VIBRATION: No discontinuity > 1 μ s per Method EIA-364-28D, Condition V, letter D.
- 2-3 DURABILITY : 500 cycles.
- 2-4 CONNECTOR CRIMP FORCE : 3 kg Min..

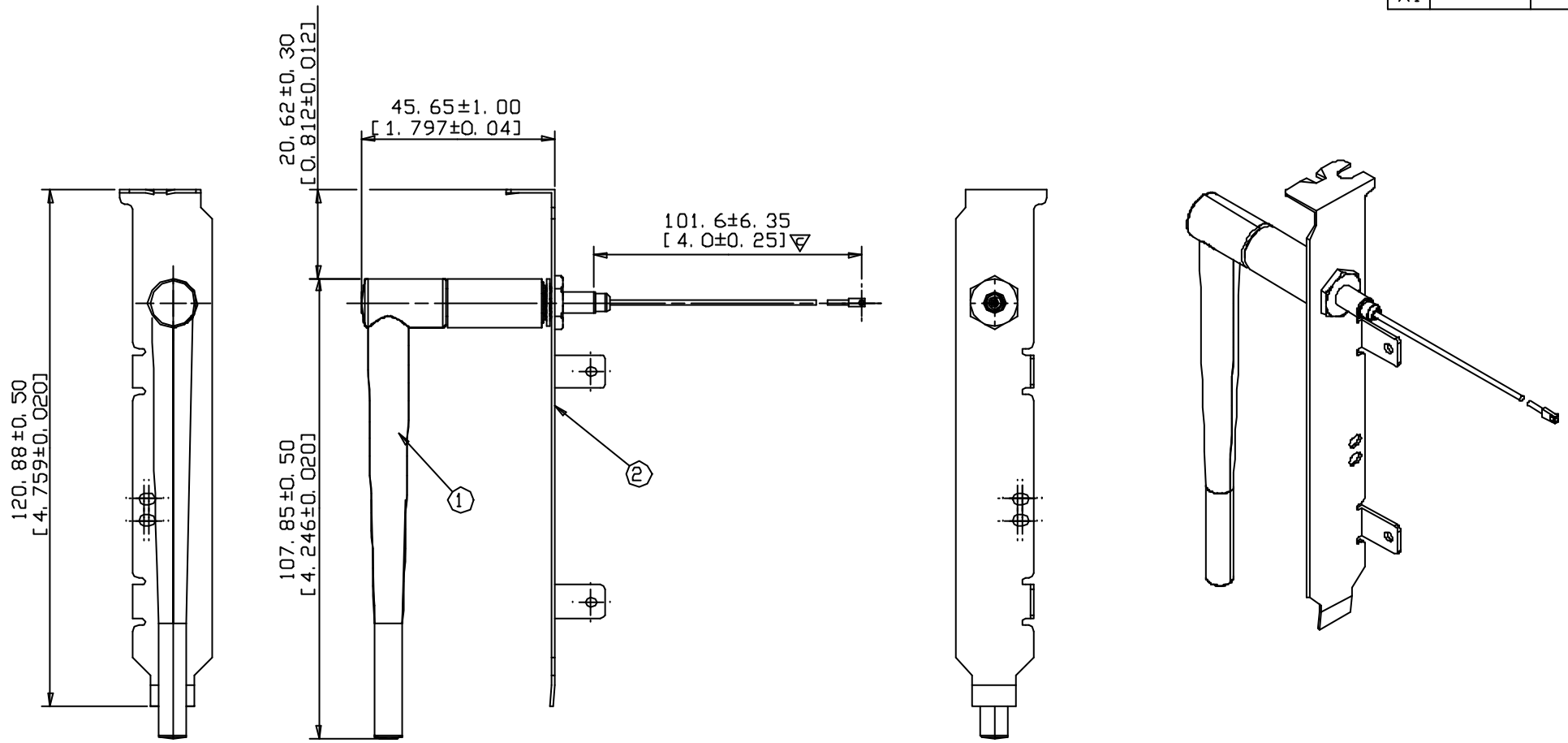
3. ENVIRONMENTAL CHARACTERISTICS:

- 3-1 OPERATING TEMPERATURE: -40°C TO +125°C
- 3-2 TEMPERATURE LIFE: Subject mated samples at 105 \pm 3°C for 1000 hours per Method EIA-364-17B.
- 3-3 TEMPERATURE HUMIDITY CYCLING: Subject mated samples to 10 cycles between 25 to 65°C at 95% RH for 240 hours per Method EIA-364-31A, Method III and Condition C unpowered, omitting sub-cycle 7b.
- 3-4 THERMAL SHOCK: Subject mated samples to 5 cycles between -40 to 125°C per Method EIA-364-32.

X1	SMKTB18 - 11206	H.C.YU 12/13/01
REV	ECN.NO.	APPD.

FOXCONN HON HAI PRECISION INDUSTRY CO.,LTD. TAIPEI TAIWAN R.O.C.			
TITLE: XIRCOM RICKSHAW A WHIP WIRELESS ANTENNA		APPD: H.C.YU 12/13/01	
		CHKD: H.C.YU 12/13/01	
PROD.NO.:	FX01A88-00 FX01A88-01 FX01A88-02	DR.: H.L.HSIAO 12/13/01	
DWG. NO.: 389-0000-026		REV.: X1	SHEET: 1 OF 1

REV.	ECN. NO.	APPD.
X1	SMKTBL8-11206	



NOTES:

- HAND TIGHTEN ANTENNA ASSY TO CABLE ASSY, DON'T USE ANY TOOLS TO TIGHTEN.
- THE ANTENNA AND CABLE CONNECTORS ARE REVERSE THREADED AND REVERSED POLARITY.
- ANTENNA TO BE POSITIONED AS SHOWN AFTER TIGHTENING.
- IMPEDANCE : 50 OHMS.
- VSWR IN 5.15 GHZ TO 5.35 GHZ : 2.0 MAX.
- AVERAGE GAIN IN 5.15 GHZ TO 5.35 GHZ IN FREE AIR SITUATION : -6 dB MIN.
- OPERATING TEMPERATURE : -40° TO 125° ,

ITEM	DESCRIPTION	P/N
①	EXTERNAL ANTENNA ASSEMBLY	FX01A88-01
②	INTERNAL CABLE ASSEMBLY	FX01A88-02

X. ±	X* ±	UNITS mm [in]	NAME (INTENDED USE) XIRCOM RICKSHAW A WHIP WIRELESS ANTENNA	FOXCONN HON HAI PRECISION IND. CO., LTD. TAIPEI, TAIWAN, R. O. C.
. X ±	. X* ±	MAT'L	PART NO. (INTENDED USE) FX01A88-00	TITLE: CUSTOMER DWG.
. XX ±	. XX* ±	FINISH	APPD:	DWG NO : 389-0000-015
. XXX ±	. XXX* ±	Q' TY	CHKD:	SCALE SHEET REV. NONE 1/1 X1
<small>THESE DRAWINGS AND SPECIFICATIONS ARE THE PROPERTY OF HON HAI PRECISION IND. CO., LTD. AND SHALL NOT BE REPRODUCED, COPIED OR USED IN ANY MANNER WITHOUT THE PRIOR WRITTEN CONSENT OF HON HAI PRECISION IND. CO., LTD.</small>			DR: H. L. HSIAD 12/13/01	

ITEM	DESCRIPTION	Q'TY	MATERIAL	TREATMENT	REMARK
1	UMP CONNECTOR CABLE ASSEMBLY	1 PC	CONNECTOR : COPPER ALLOY AND TEFLON CABLE : COPPER WIRE AND FEP CONNECTOR NO. : 107-003-000	CONTACT : GOLD PLATED CABLE COLOR : BLACK	
2	SMA JACK CONNECTOR ; REVERSED THREAD & POLARITY	1 PC	COPPER ALLOY AND TEFLON	INNER CONTACT : 30 u" GOLD PLATED	
3	BRACKET	1 PC	SPCC	100u" NICKEL PLATED	
4	SMA JACK CONNECTOR HEAT SHRINKING TUBE	11 mm	POLYOLEFIN	COLOR : BLACK	
5	SMA PLUG CONNECTOR ; REVERSED THREAD & POLARITY	1 PC	COPPER ALLOY	INNER CONTACT : 30 u" GOLD PLATED	
6	RF ANTENNA CABLE	60.5 mm	COPPER WIRE AND FEP	IEEE 802.11A CONFORMED	
7	LONG TUBE	1 PC	COPPER ALLOY AND TEFLON	NONE	
8	MALE HOUSING	1 PC	PC-ABS UL 94V-0	COLOR : YACHT BLUE XIRCOM COLOR CHIP XQI-0001-138, GE BL1A090	
9	FEMALE HOUSING	1 PC	PC-ABS UL 94V-0	COLOR : YACHT BLUE XIRCOM COLOR CHIP XQI-0001-138, GE BL1A090	
10	SLEEVE	1 PC	SILICON	COLOR : YACHT BLUE XIRCOM COLOR CHIP XQI-0001-138, GE BL1A090	

REMARK

[1] PRODUCT NO :

FX 01A 88 00

R/F

EXTENSION CODE

ANTENNA ASSEMBLY

XIRCOM RICKSHAW A ANTENNA

**FOXCONN HON HAI PRECISION INDUSTRY CO.,LTD.
TAIPEI TAIWAN R.O.C.**

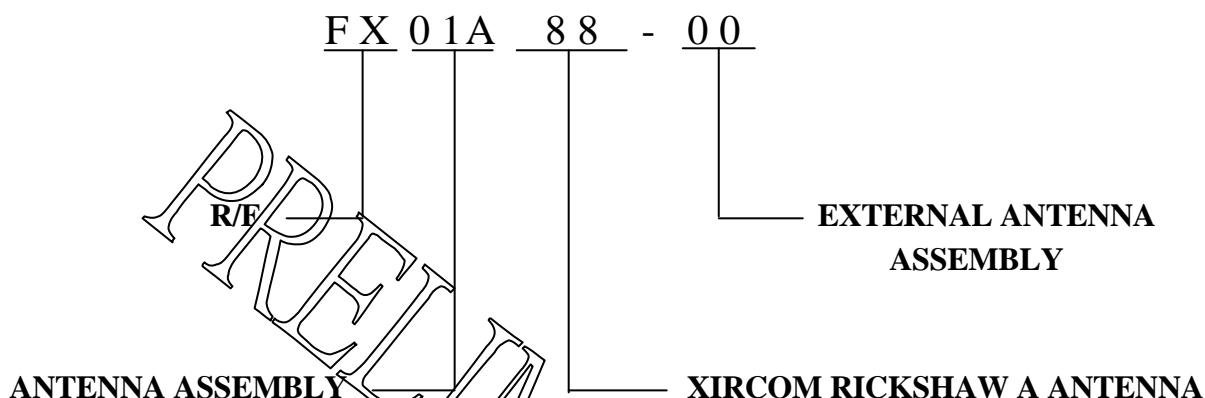
X2	SMKTB18 -11207	H.C.YU 12/14/01
X1	SMKTB18 -11206	H.C.YU 12/13/01
REV	ECN.NO.	APPD.

TITLE: XIRCOM RICKSHAW A WHIP WIRELESS ANTENNA		APPD: H.C.YU 12/14/01
PROD.NO.: FX01A88-00		CHKD: H.C.YU 12/14/01
DRG. NO.: 389-0000-024		DR.: H.L.HSIAO 12/14/01
REV.: X2		SHEET: 1 OF 3

ITEM	DESCRIPTION	Q'TY	MATERIAL	TREATMENT	REMARK
1	SMA PLUG CONNECTOR ; REVERSED THREAD & POLARITY	1 PC	COPPER ALLOY	INNER CONTACT : 30 u" GOLD PLATED	
2	RF ANTENNA CABLE	60.5 mm	COPPER WIRE AND FEP	IEEE 802.11A CONFORMED	
3	LONG TUBE	1 PC	COPPER ALLOY AND TEFLON	NONE	
4	MALE HOUSING	1 PC	PC-ABS UL 94V-0	COLOR : YACHT BLUE XIRCOM COLOR CHIP XQI-0001-138, GE BL1A090	
5	FEMALE HOUSING	1 PC	PC-ABS UL 94V-0	COLOR : YACHT BLUE XIRCOM COLOR CHIP XQI-0001-138, GE BL1A090	
6	SLEEVE	1 PC	SILICON	COLOR : YACHT BLUE XIRCOM COLOR CHIP XQI-0001-138, GE BL1A090	

REMARK

[1] PRODUCT NO :



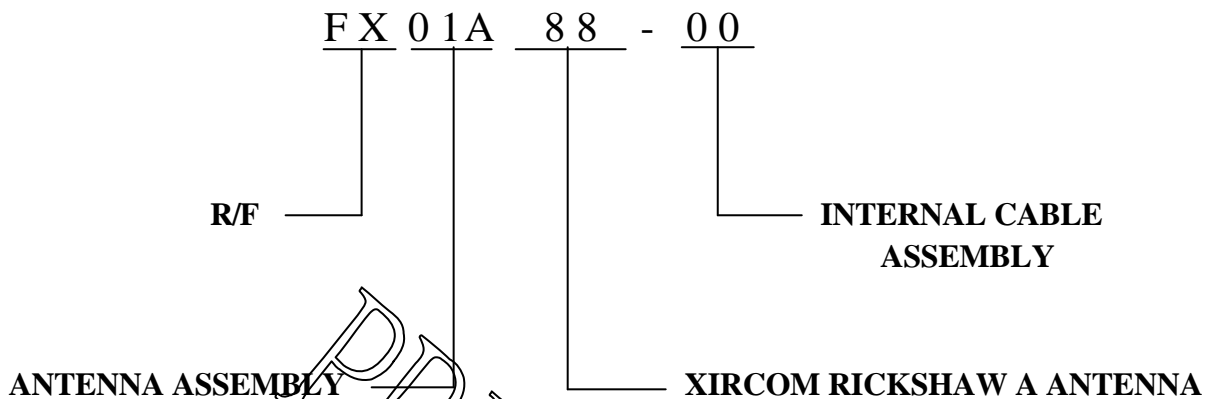
FOXCONN HON HAI PRECISION INDUSTRY CO.,LTD.
TAIPEI TAIWAN R.O.C.

			TITLE: XIRCOM RICKSHAW A EXTERNAL ANTENNA ASSEMBLY	APPD: H.C.YU 12/14/01
X2	SMKTB18 -11207	H.C.YU 12/14/01		CHKD: H.C.YU 12/14/01
X1	SMKTB18 -11206	H.C.YU 12/13/01	PROD.NO.: FX01A88-00	DR.: H.L.HSIAO 12/14/01
REV	ECN.NO.	APPD.	DWG. NO.: 389-0000-024	REV.: X2 SHEET: 2 OF 3

ITEM	DESCRIPTION	Q'TY	MATERIAL	TREATMENT	REMARK
1	UMP CONNECTOR CABLE ASSEMBLY	1 PC	CONNECTOR : COPPER ALLOY AND TEFLON CABLE : COPPER WIRE AND FEP CONNECTOR NO. : 107-003-000	CONTACT : GOLD PLATED CABLE COLOR : BLACK	
2	SMA JACK CONNECTOR ; REVERSED THREAD & POLARITY	1 PC	COPPER ALLOY AND TEFLON	INNER CONTACT : 30 u" GOLD PLATED	
3	BRACKET	1 PC	SPCC	100u" NICKEL PLATED	
4	SMA JACK CONNECTOR HEAT SHRINKING TUBE	11 mm	POLYOLEFIN	COLOR : BLACK	

REMARK

[1] PRODUCT NO :



PRELIMINARY

FOXCONN HON HAI PRECISION INDUSTRY CO.,LTD. TAIPEI TAIWAN R.O.C.	
TITLE: XIRCOM RICKSHAW A INTERNAL CABLE ASSEMBLY	APPD: H.C.YU 12/14/01
	CHKD: H.C.YU 12/14/01
PROD.NO.: FX01A88-00	DR.: H.L.HSIAO 12/14/01
DWG. NO.: 389-0000-024	REV.: X2 SHEET: 3 OF 3

X2	SMKTB18 -11207	H.C.YU 12/14/01
X1	SMKTB18 -11206	H.C.YU 12/13/01
REV	ECN.NO.	APPD.

Radiation Pattern Gain Test Report

Part Name: Xircom Rickshaw A RF Antenna

Part No: FX01A88-00

Spec: Minimum average gain in 5.15 to 5.25 GHz under free air situation: -6 dB

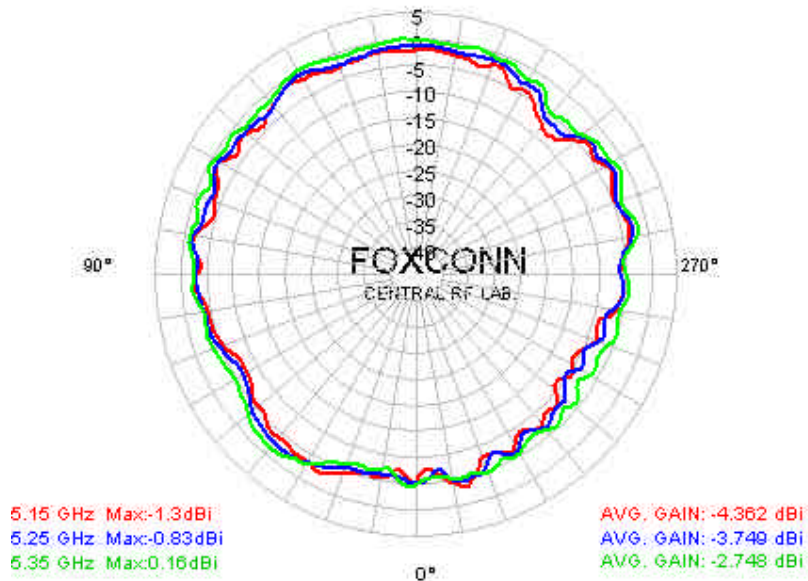
Maximum peak gain in 5.15 to 5.25 GHz under free air situation: 2 dB

Date: 12/24/2001

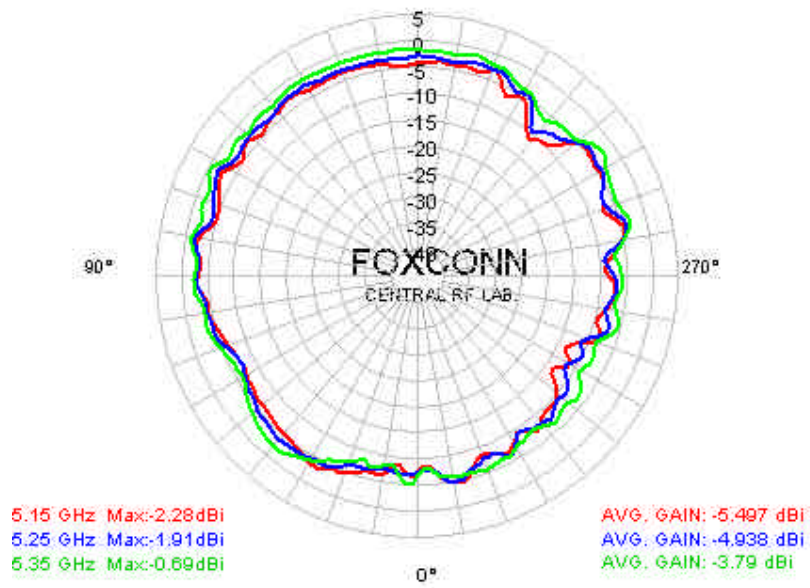
	MIN. Average gain @5.15~5.25 GHz	Result
Sample 1	-4.362	OK
Sample 2	-4.748	OK
Sample 3	-5.497	OK
Sample 4	-5.402	OK
Sample 5	-5.314	OK

	MAX. Peak gain @5.15~5.25 GHz	Result
Sample 1	0.16	OK
Sample 2	-0.39	OK
Sample 3	-0.69	OK
Sample 4	-0.72	OK
Sample 5	-0.83	OK

Sample 1 Radiation Pattern Figure



Sample 2. Radiation Pattern Figure



Approved By : Landy Hsiao 12/24 ' 2001 Prepared By : Hawk Cheng 12/24 ' 2001

VSWR Test Report for Rickshaw A RF Antenna

Part No : FX01A88-00

Dwg No : 389-0000-015

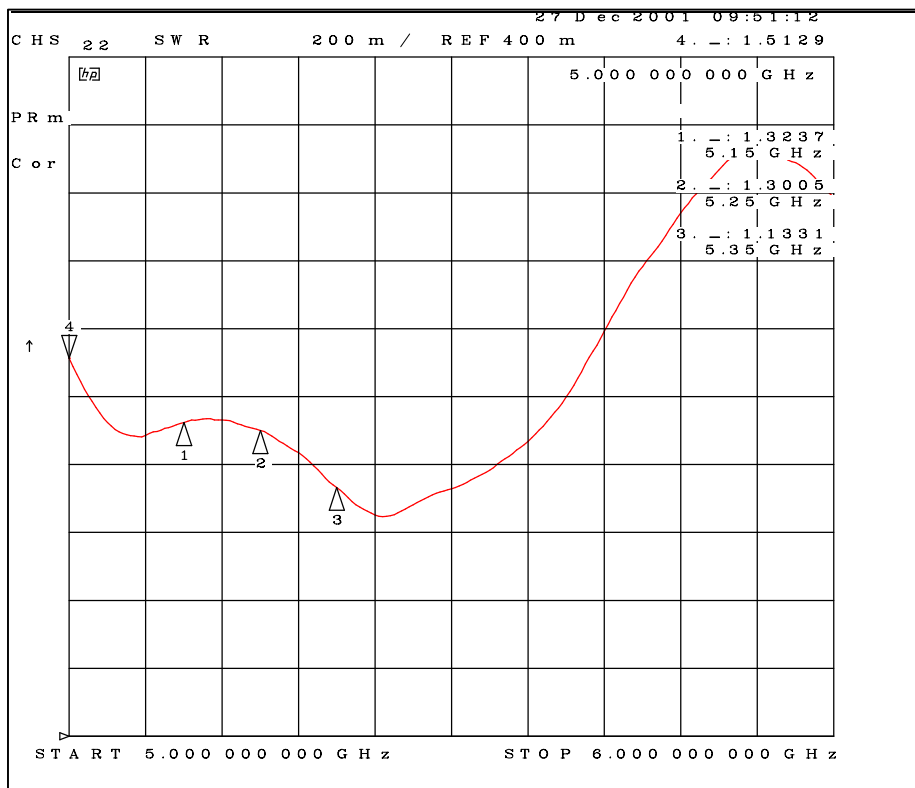
Rev : A

VSWR Test Spec : 2.0 Max in 5.15GHz ~ 5.35GHz

Date : 12/24' 2001

Sample No	5.15GHz	5.25GHz	5.35GHz	Result
1	1.324	1.301	1.133	OK
2	1.344	1.335	1.171	OK
3	1.616	1.613	1.593	OK
4	1.172	1.197	1.121	OK
5	1.346	1.451	1.549	OK

VSWR testing figure on Network Analyzer show below:



Approved By : Landy Hsiao 12/24 ' 2001

Prepare By : Hawk Cheng 12/24 ' 2001