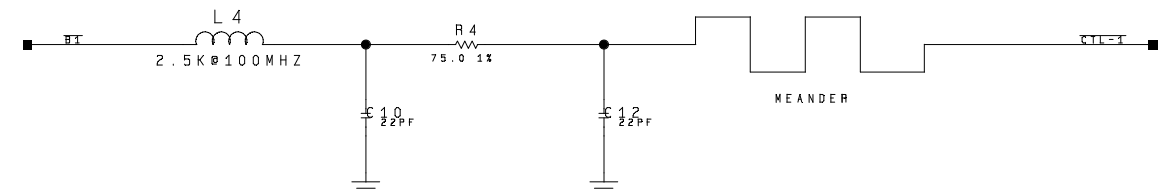
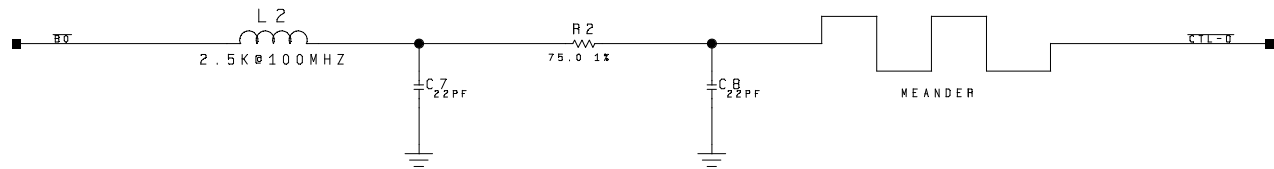
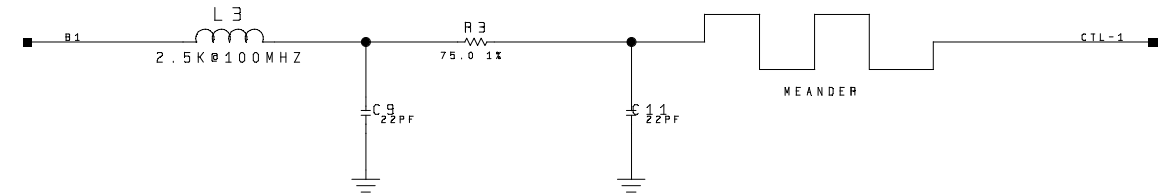
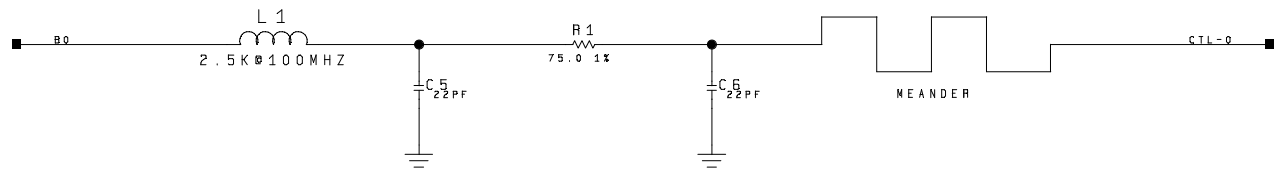
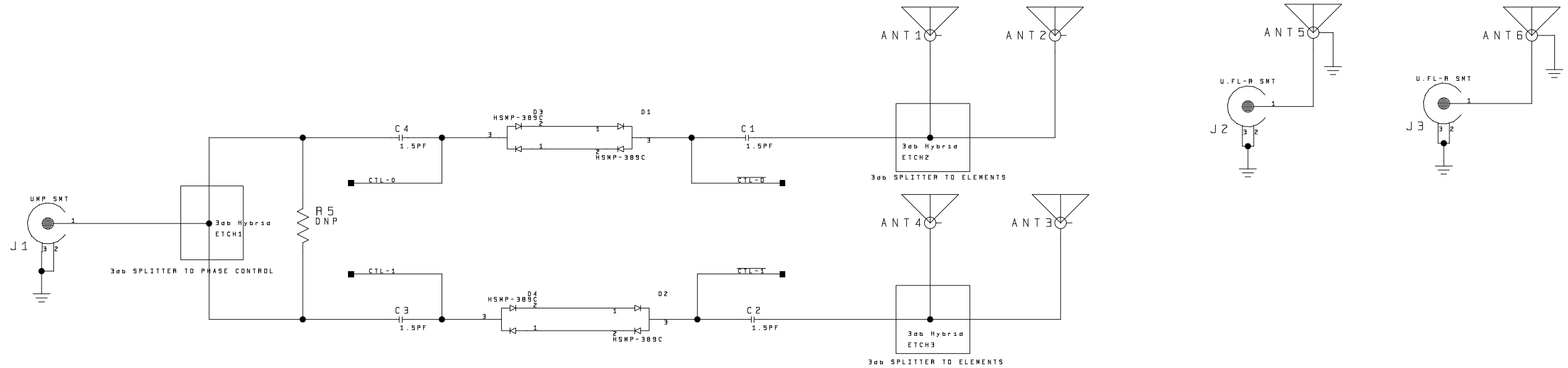
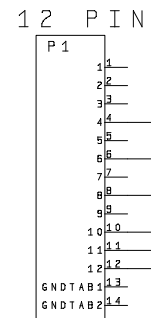


THIS DOCUMENT CONTAINS INFORMATION PROPRIETARY TO XIRCOM, INC. AND IS FURNISHED TO YOU FOR THE PURPOSE OF INSTALLATION, OPERATION OR MAINTENANCE OF THE ITEM(S) DESCRIBED HEREIN. ALL OTHER USES OF THIS DOCUMENT OR ITS CONTENTS ARE NOT AUTHORIZED BY XIRCOM, INC. ©2001 ALL RIGHTS RESERVED. COPYING OF THIS DOCUMENT IS UNLAWFUL WITHOUT THE WRITTEN PERMISSION OF XIRCOM, INC. THOUSAND OAKS, CA.

REVISIONS				
ZONE	REV	DESCRIPTION	DATE	APPROVED
	A	PRODUCTION RELEASE ECN #23968	10-30-01	



XIRCOM CONFIDENTIAL

CONTRACT NO.		Xircom			
DRAWN: Bryan Seid					
DATE: August, 29, 2001		TITLE SCH. AP ACTIVE ANTENNA			
CHECK:		SIZE B	FSCM NO.	DRAWING NO. 130-0932-001	REV A
DESIGN:		SCALE		SHEET 1 of 1	
APPROVED:		NEXT ASSY USED ON APPLICATION			