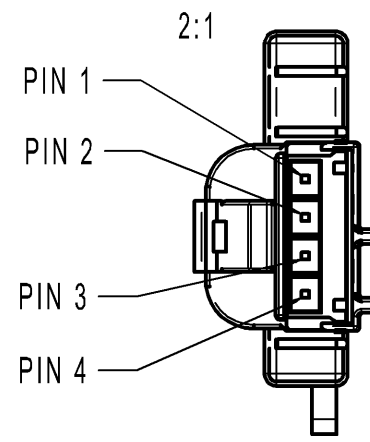


THIS DRAWING IS THE EXCLUSIVE PROPERTY OF MARQUARDT. WITHOUT THEIR CONSENT, IT MAY NOT BE REPRODUCED OR GIVEN TO THIRD PARTIES.

VERTRAULICH

Alle Rechte bei Marquardt, auch fuer den Fall von Schutzrechtsverletzungen, Jegg Veruegungsbezugnis, wie Kopier- und Weitergaberecht, bei uns.

No.	Article No.	Material	Quantity
1	219.800.011	PC-ABS	1
2	585.144.012	-	1
3	299.039.021	-	1
4	220.843.021	PC-ABS	1
5	340.106.011	Adhesive PX5008 EU	1



Connector View 'A'

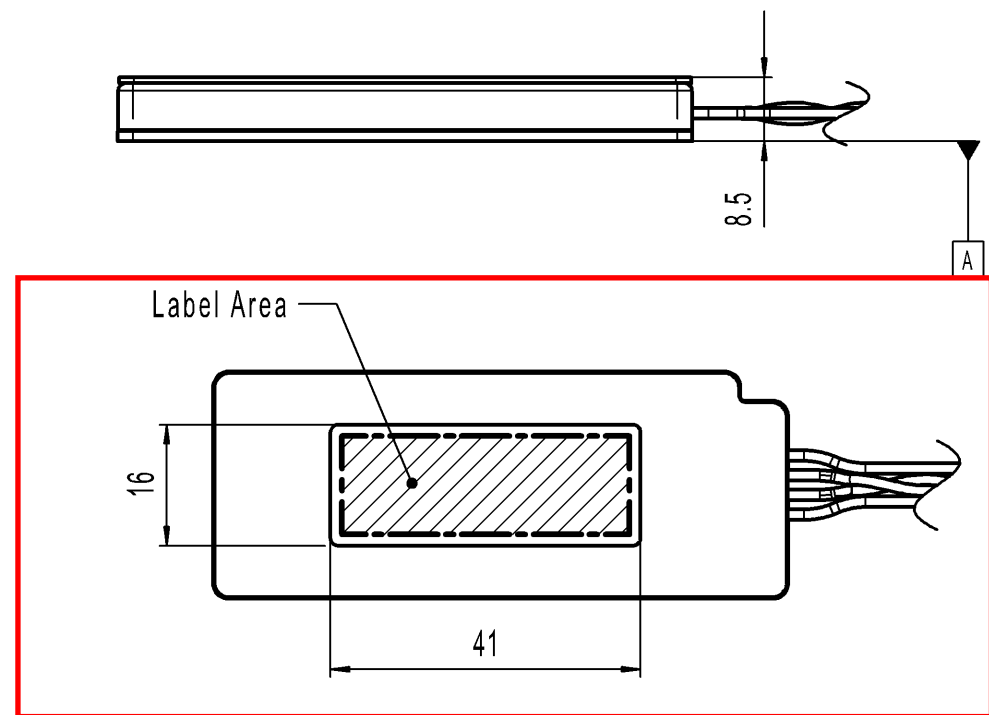
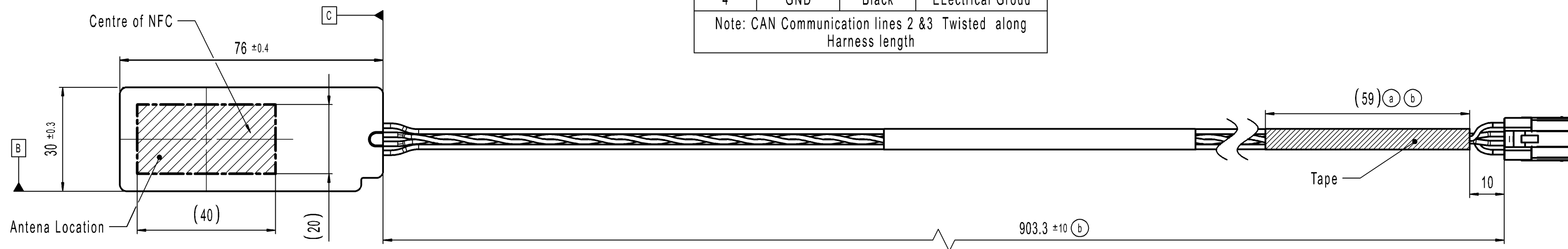
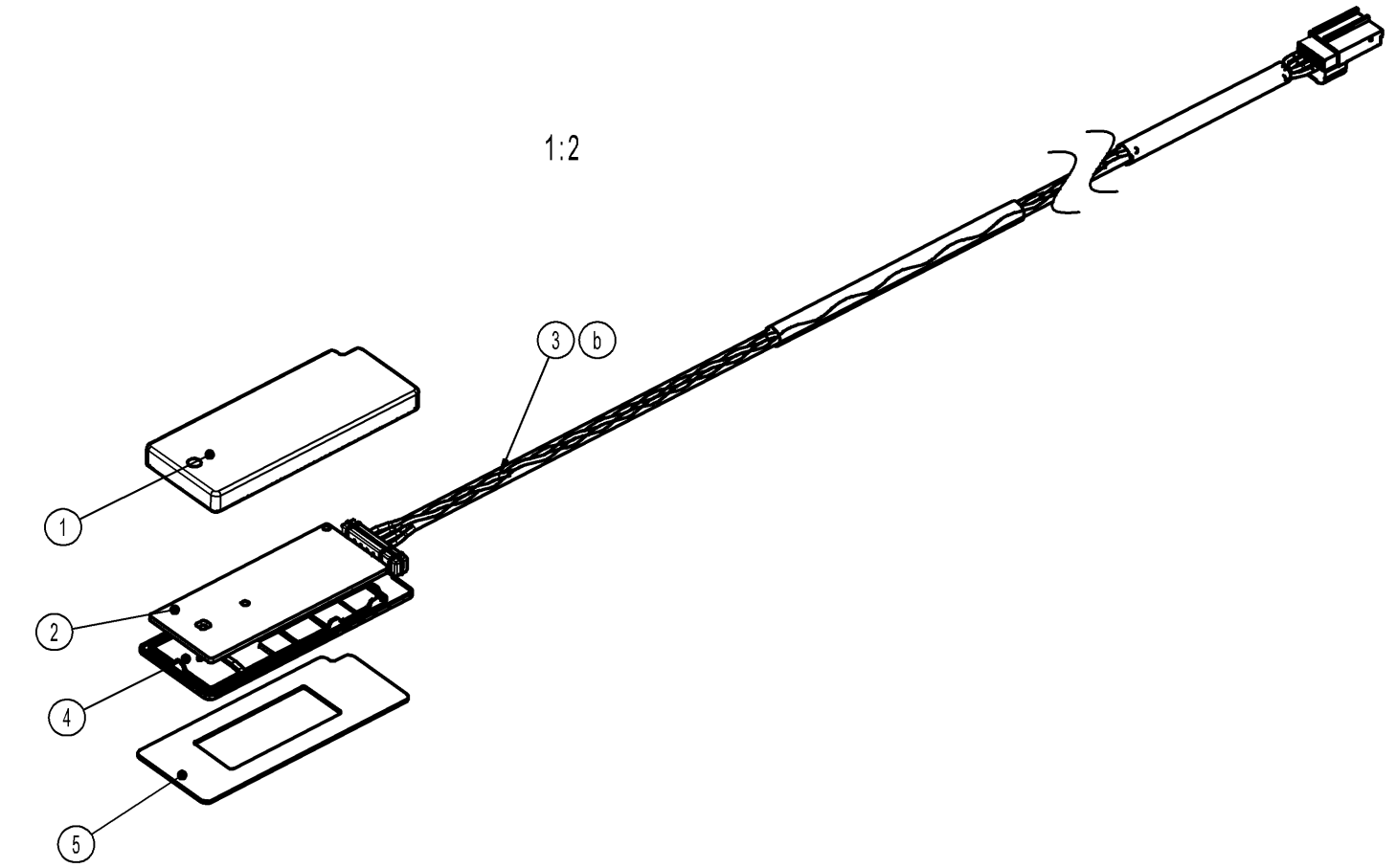
Connector - Molex 31068-1010
Mates with Molex Connector - 31068-1070

Sr. No.	Component Name	Part Number	Color	Material	Quantity
2	Connector housing	Molex 31068-1010	Black	---	1
1	Crimping pin	Tyco 1393367-1	---	Tin-plated	4

Connector details

Pin No.	Pin Name	Wire Color	Signal Description
1	Vbat	Red	Power Supply
2	CAN-H	Yellow	CAN High Signal
3	CAN-L	Green	CAN Low Signal
4	GND	Black	ELectrical Groud

Note: CAN Communication lines 2 & 3 Twisted along Harness length



Label Details (Laser Marked)

MODEL NAME → UR2
 FCC ID → FCC ID: IYZXXX
 IC ID → IC: XXXX-XXXX
 PRODUCTION LOCATION → ASSEMBLED IN MEXICO
 MARQUARDT GMBH SCHLOSS-STR. 16
 78604 RIETHIEM-WEILHEIM GERMANY

BARCODE LASER ENGRAVED
 TYPE: 2D DATA MATRIX (ECC 200)
 ROWS/COLUMNS: 22 X 22
 ELEMENT SIZE: 0.5mm
 REFERENCE BARCODE SIZE: 11 X 11 MM
 EXCLUDING QUITE ZONE
 CONTENT: STELLANTIS PART NUMBER
 (SEE BILL OF MATERIAL)

More information see product variant data sheet 02

-		NFC Reader Exterior		3612.0251-03	
-		NFC Reader Exterior		3612.0201-03	
Figure		Type		Art.No.-PI	
Shape and location	Angle ± 2 °	Length	Radii	Sheet 01	Ident. Document number Index
	Edge tolerance			Format DIN Projection Scale	F 36120201 c
	+0.25 +0.1			A2 1:1	NFC Reader Exterior
	0 -0.25			All dimensions are in millimetres	
c	154223	2024-10-10	HOERRD	System NX V2007	MARQUARDT
b	153140	2024-05-15	HOERRD		
a	151145	2024-01-16	HOERRD		
	144169	2023-12-04	BHATKARP		
Index	MEC-No.	Date (YYYY-MM-DD)	Edited by	Replacement of	