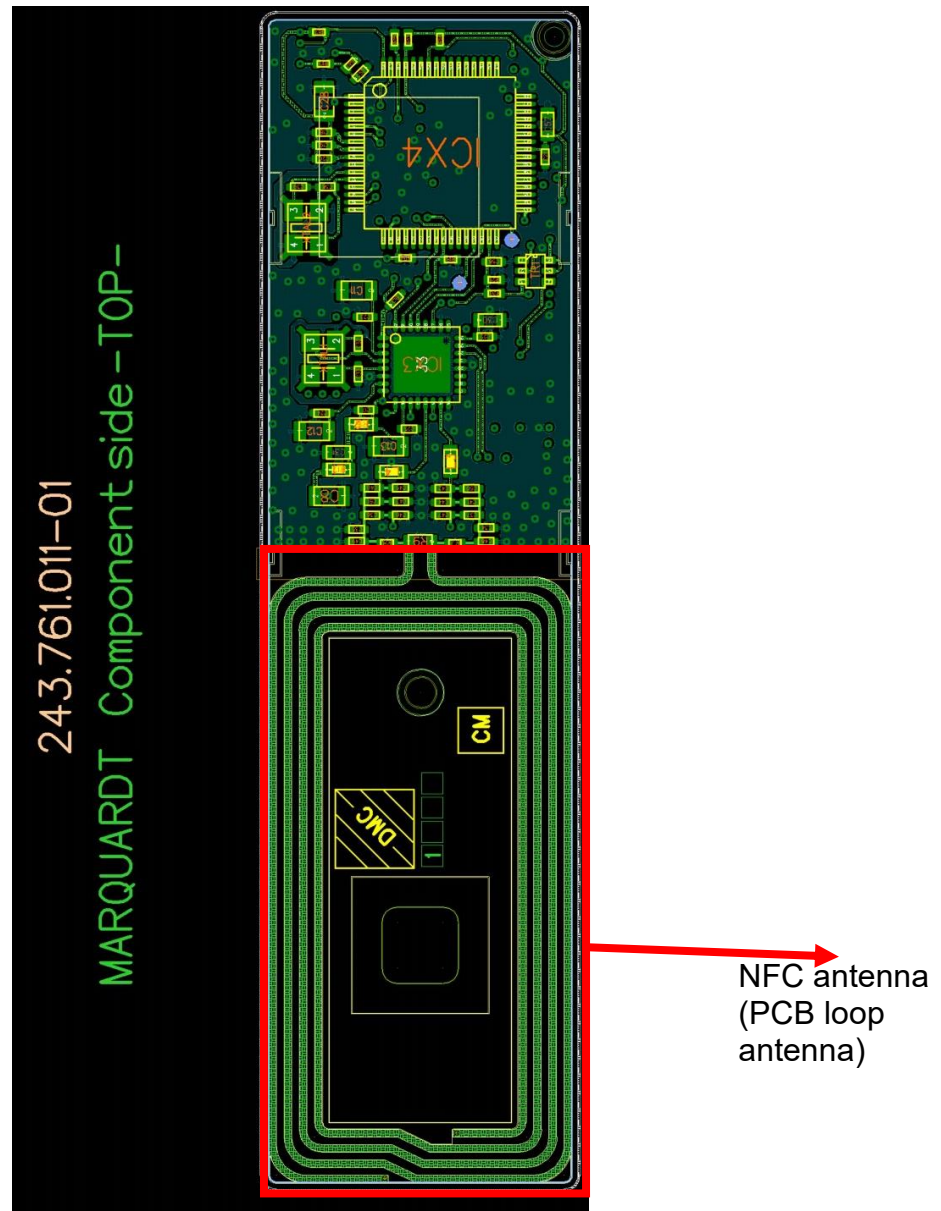


Antenna specifications – NR3



Make: Marquardt
Model: PCB loop NR3



Antenna dimensions: 20mm x 40mm