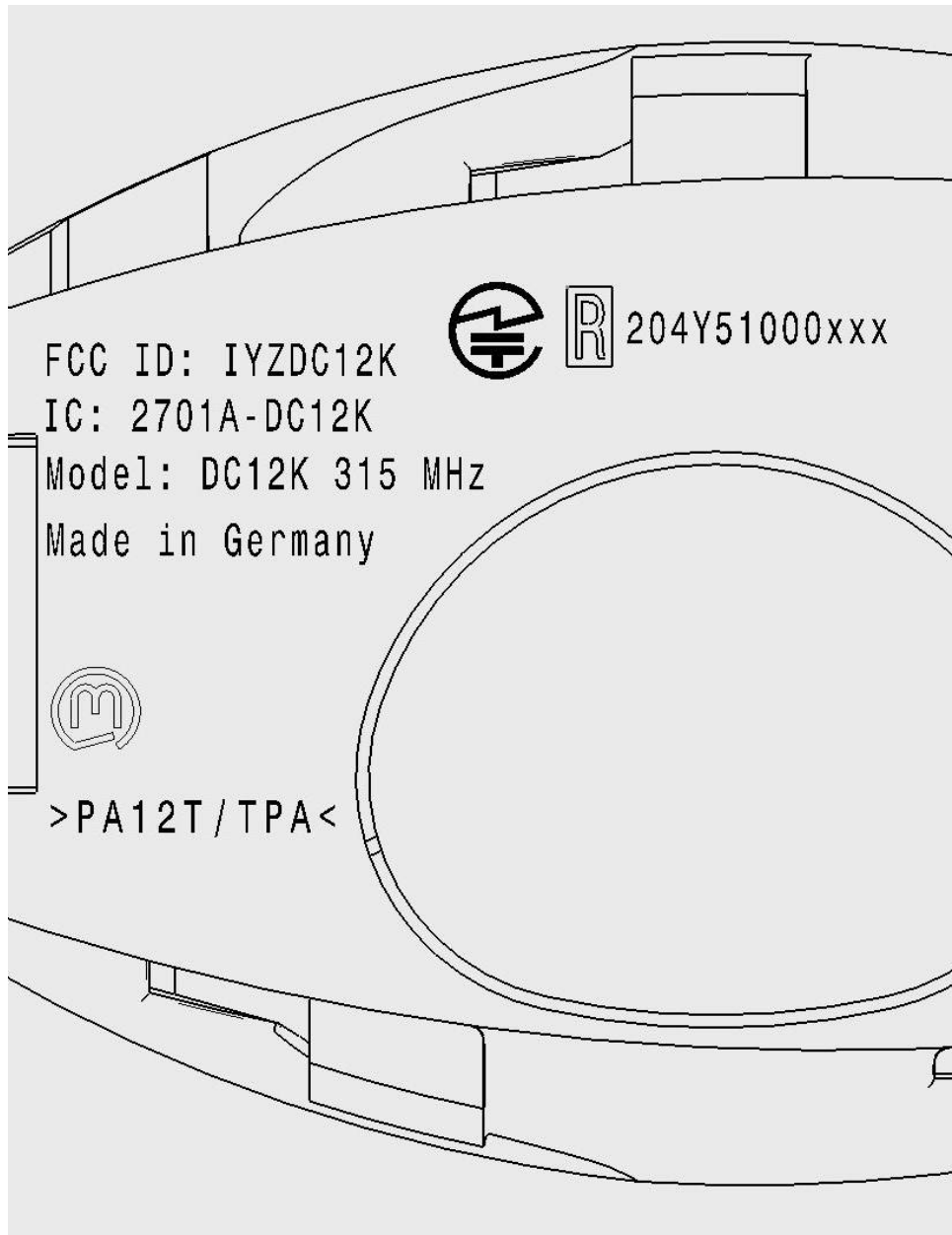


Annex no. 4

Label Sample

Label sample



Label location

