

# **Functional Description / User manual**

## **BR212 Key Basis**

# Technical Description

## Remote control vehicle key BR212

PN: 3333



Author:	Uwe Schwalm
Department:	C1E12
Tel. :	07424/99 – 1975
Fax. :	07424/99 – 2541
Email:	Uwe. Schwalm@Marquardt.de
First draft:	12.03.02008
Change status:	
Version :	1.0

## 1.1 Remote control vehicle locking

The locking and drive permission system BR212 (3333) incorporates a function which enables the locking and unlocking of the doors.

All vehicles with a boot lid can also be equipped with the function for unlocking the boot lid, and it is also possible to provide a button to activate the "PANIC" function for vehicles intended for the US market.

The function is activated by pushing a button, the method of button pushing determines the function activated on the vehicle, e.g. prolonged pressure on the button initiates an IR comfort function.

If messages are discharged from the key, the access permission information is sent via radio waves (HF) and redundantly via infrared (IR) from the key to the vehicle. The so-called comfort signals are special functions which require visual contact with the vehicle. Upon pressing the button for an extended period, these signals are sent via IR signal only after the standard access permission message.

### HF communication via 3-channel operation:

The access permission message is sent sequentially on 3 radio channels adjacent to one another within the permissible ISM band. The radio receiver installed within the vehicle is able to receive the message discharged from the key on all 3 channels, evaluate it and send an appropriate control message to the central locking system.

## 1.2 Keyless operation

The principle keyless go functionality facilitates full utilisation of the drive permission system function on the vehicle without active operation of the key. This means that one can lock and unlock the vehicle (access permission) without operating the key and activate and deactivate the immobiliser (drive permission) without placing the key in the ignition switch. It is only necessary to carry the key in order to be identified as an authorised vehicle user.

In addition to the basic variant, the keyless go key is expanded to include an LF receiver component, comprising of inductive antennae which create the three spatial directions x, y and z, and an associated LF receiver ASIC. Additionally, the keyless go variant of the key is equipped with a special HF ASIC, which facilitates bidirectional HF communication.

In addition to the keyless go functionalities described, the keyless go key is also equipped with all of the basic variant functions.

### 1.2.1 Access permission with keyless entry

The keyless access permission (keyless entry) is initiated by the vehicle user activating the vehicle door handle. This causes the vehicle to send an inductive wake up message. On receiving this, the key starts in active mode.

The vehicle now sends further unmodulated, inductive fields which enable the key to ascertain its position in relation to the vehicle on the basis of field strength measurements.

Bidirectional HF communication follows, in which cryptographically encrypted authentication data is transferred between the key and the vehicle.

If the key is outside the vehicle, the vehicle is locked or unlocked following transferral of the correct data.

MARQUARDT GmbH Schloßstraße 16 D 78 604 Rietheim – Weilheim	First draft	12..03.2008	Version	1.0
	Department	C1E12	File	
	Author	U. Schwalm	Doc. no.	
	Date	12.03.2008	Page	Page 2 of 9

## 1.2.2 Drive permission with keyless go

In principle, when activating the start/stop switch for a keyless engine start, the same process runs as that described for access permission. The difference here is that the key must be located inside the vehicle. The presence of the key inside the vehicle is verified on every 5km driven, and on driving away. The process that runs here is similar to the engine start process, although shorter.

## 1.2.3 LF / HF transferral

The inductive wake-up message is sent in a phase-modulated (PSK) format through the vehicle on the frequency 21.845 kHz with a data rate of 5.461 kBd.

With respect to bidirectional HF communications, these are processed in a frequency-modulated (FSK) format, in the ISM band on 433.92 MHz in Europe and 315 MHz in the USA. The rate of data transferral is 10 kBd.

## 1.2.4 Operating frequencies of HF transferral

### 1.2.5 1-channel

In 1-channel operation, the mid-frequency of the channel is:

ECE:	433.92 MHz
USA, Japan:	315.00 MHz

#### 1.2.5.1 3-channel

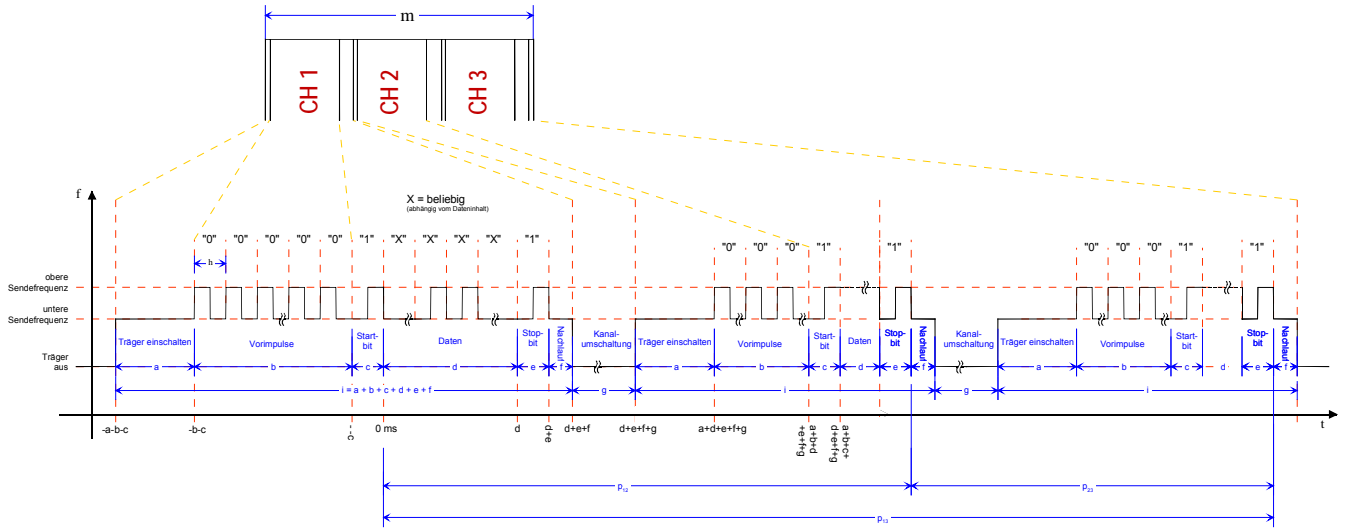
The following table shows the mid-frequency of the individual channels for each frequency band.

Channel name		Channel mid-frequency	
Name	Abbreviated ID		
Channel 1	CH1	USA: 314.00 MHz ECE: 433.47 MHz	
Channel 2	CH2	USA: 314.90 MHz ECE: 434.37 MHz	
Channel 3	CH3	USA: 314.45 MHz ECE: 433.92 MHz	

MARQUARDT GmbH Schloßstraße 16 D 78 604 Rietheim – Weilheim	First draft	12..03.2008	Version	1.0
	Department	C1E12	File	
	Author	U. Schwalm	Doc. no.	
	Date	12.03.2008	Page	Page 3 of 9

1.3 HF protocol

1.3.1 3-channel operation



Parameter	Beschreibung	Zeit	zul. Toleranz
a	Träger einschalten auf unterer Sendefrequenz	0,150ms	±50µs
b	Vorimpulse (550 Stück)	55,000ms	±550µs
c	Startbit	0,100ms	±1µs
d	Daten (120Bit =14Byte + 1Byte Checksumme)	12,000ms	±120µs
e	Stopbit	0,100ms	±1µs
f	Nachlauf	0,150ms	±50µs
g	Kanalschaltung (Träger ausgeschaltet)	0,600ms	±50µs
h	Periodendauer eines Bit	0,100ms	±1µs
i	=a+b+c+d+e+f	67,500ms	±772µs
p12	=d+e+f+g+a+b+c+d+e	80,200ms	±943µs
p23	=f+g+a+b+c+d+e	68,100ms	±822µs
p13	=p12+p23	148,300ms	±1.765µs
m	Funkprotokoll gesamt (=2*g+3*i)	203,700ms	±2.416µs

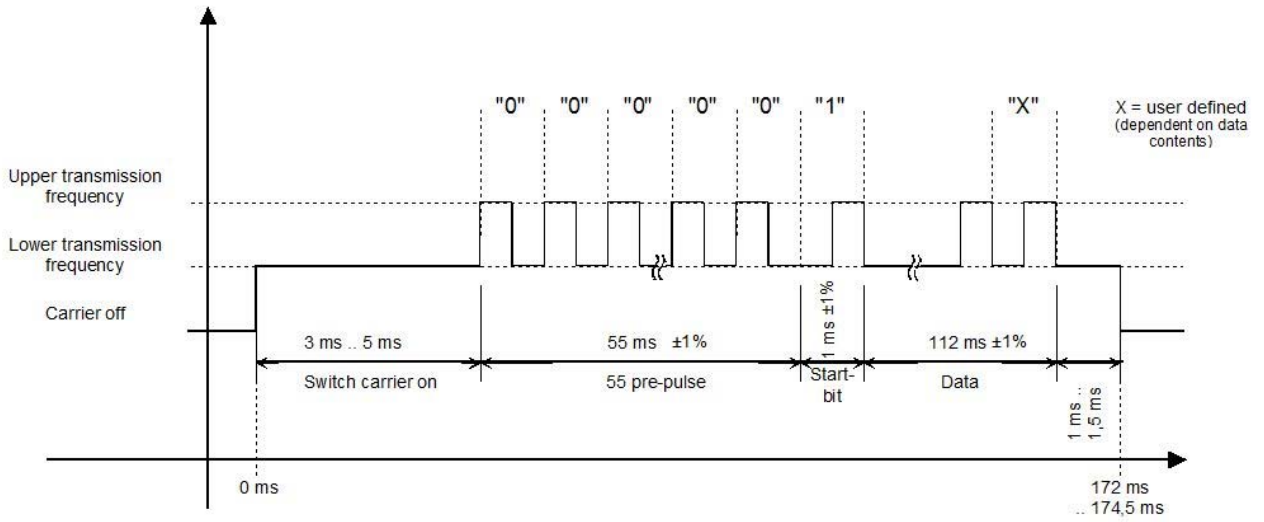
Proprietary data, company confidential. All rights reserved.  
 Contine a titre de secret d'entreprise. Tous droits réservés.  
 Comunicado como secreto empresarial. Reservados todos los derechos.  
 Confidado como secreto industrial. Nos reservamos todos los derechos.

Weitergabe sowie Vervielfältigung dieser Unterlage, Verwertung und Mitteilung ihres Inhalts nicht gestattet, soweit nicht ausdrücklich zugestanden. Zuwiderhandlungen verpflichten zu Schadensersatz. Alle Rechte vorbehalten, insbesondere für den Fall der Patenterteilung oder GM-Entragung

form 659.02

MARQUARDT GmbH Schloßstraße 16 D 78 604 Rietheim – Weilheim	First draft	12..03.2008	Version	1.0
	Department	C1E12	File	
	Author	U. Schwalm	Doc. no.	
	Date	12.03.2008	Page	Page 4 of 9

**1.3.2 1-channel operation**



Proprietary data, company confidential. All rights reserved.  
 Proprietary data, company confidential. All rights reserved.  
 Contine a titre de secret d'entreprise. Tous droits réservés.  
 Comunicado como segredo empresarial. Reservados todos os direitos.  
 Confidado como secreto industrial. Nos reservamos todos los derechos.

Weitergabe sowie Vervielfältigung dieser Unterlage, Verwertung und Mitteilung ihres Inhalts nicht gestattet, soweit nicht ausdrücklich zugelassen. Zuwiderhandlungen verpflichten zu Schadensersatz. Alle Rechte vorbehalten, insbesondere für den Fall der Patenterteilung oder GM-Eintragung.

form 659.02

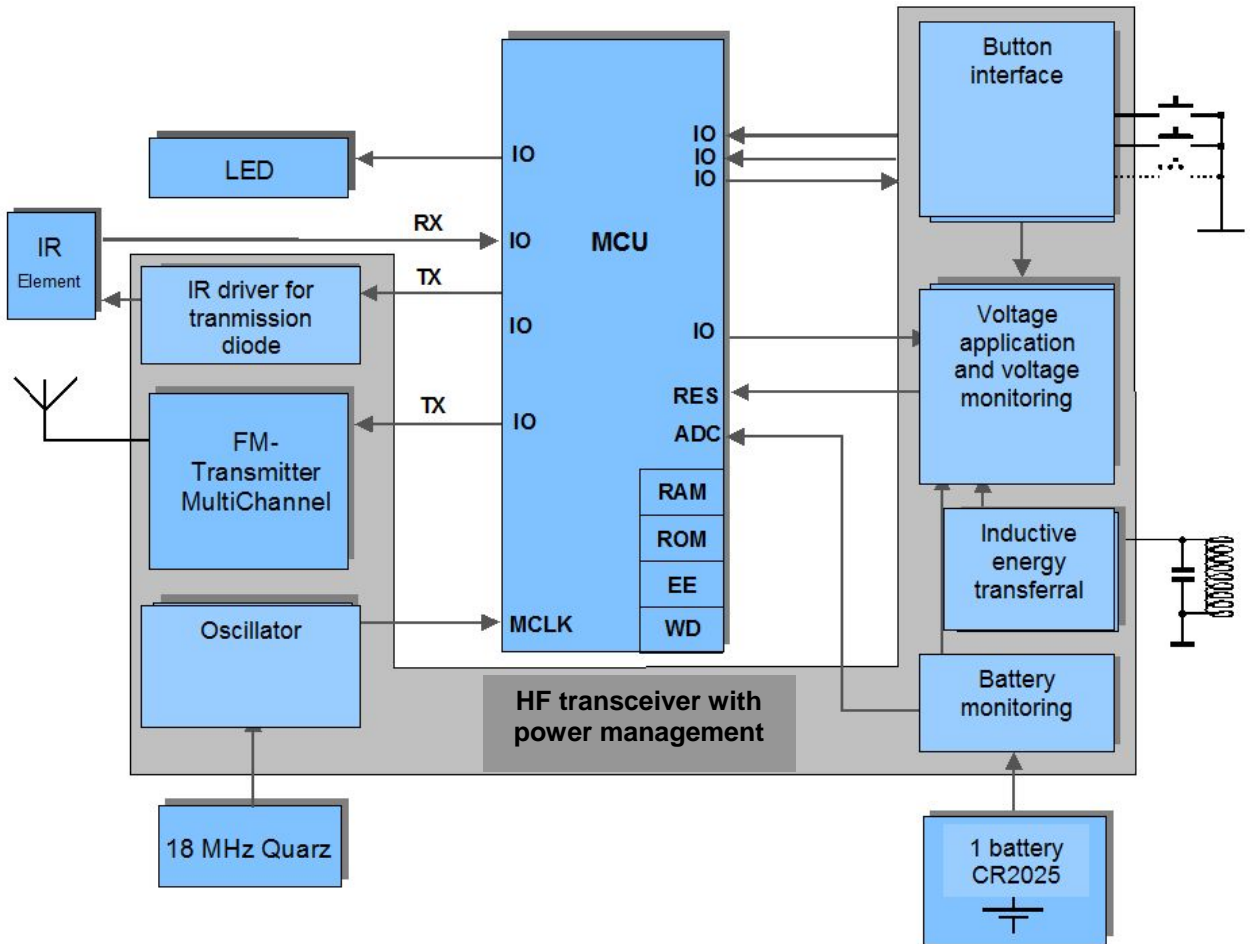
MARQUARDT GmbH Schloßstraße 16 D 78 604 Rietheim – Weilheim	First draft	12..03.2008	Version	1.0
	Department	C1E12	File	
	Author	U. Schwalm	Doc. no.	
	Date	12.03.2008	Page	Page 5 of 9

Proprietary data, company confidential. All rights reserved.  
 Contient des données confidentielles. Tous droits réservés.  
 Comunicado como secreto empresarial. Reservados todos los derechos.  
 Confidado como secreto industrial. Nos reservamos todos los derechos.

Weitergabe sowie Veröffentlichung dieser Unterlage, Verwertung und Mitteilung ihres Inhalts nicht gestattet, soweit nicht ausdrücklich zugestanden. Zuwiderhandlungen verpflichten zu Schadensersatz. Alle Rechte vorbehalten, insbesondere für den Fall der Patenterteilung oder GM-Enttragung

## 1.4 Block diagrams for key variants

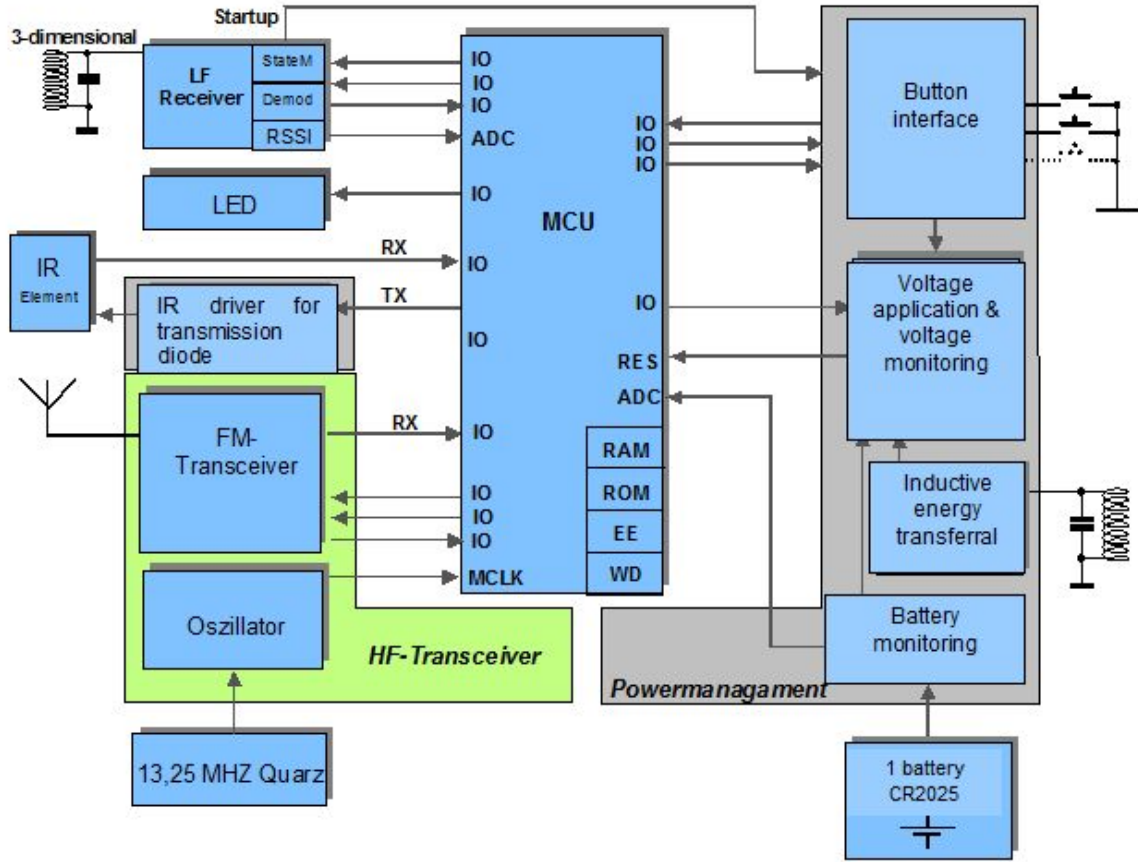
### 1.4.1 Basic variant (remote controlled locking only)



form 659.02

MARQUARDT GmbH Schloßstraße 16 D 78 604 Rietheim – Weilheim	First draft	12..03.2008	Version	1.0
	Department	C1E12	File	
	Author	U. Schwalm	Doc. no.	
	Date	12.03.2008	Page	Page 6 of 9

1.4.2 Keyless go variant



Proprietary data, company confidential. All rights reserved. Contient a titre de secret d'entreprise. Tous droits réservés. Comunicado como secreto empresarial. Reservados todos os direitos. Confidado como secreto industrial. Nos reservamos todos los derechos.

Weitergabe sowie Vervielfältigung dieser Unterlage, Verwertung und Mitteilung ihres Inhalts nicht gestattet, soweit nicht ausdrücklich zugestanden. Zuwiderhandlungen verpflichten zu Schadensersatz. Alle Rechte vorbehalten, insbesondere für den Fall der Patenterteilung oder GM-Enttragung

form 659.02

MARQUARDT GmbH Schloßstraße 16 D 78 604 Rietheim – Weilheim	First draft	12..03.2008	Version	1.0
	Department	C1E12	File	
	Author	U. Schwalm	Doc. no.	
	Date	12.03.2008	Page	Page 7 of 9



## 1.5 Technical data

### 1.5.1 General HF specification

- Operating frequencies, tolerance

Single channel operation:

$$f_{op1} = 315\text{MHz} \quad (\text{USA, Japan})$$

$$f_{op2} = 433.92\text{MHz} \quad (\text{ECE})$$

3-channel operation:

$$f_{op1} = 314.00\text{MHz} / 314.45\text{MHz} / 314.9\text{MHz} \quad (\text{USA, Japan})$$

$$f_{op2} = 433.47\text{MHz} / 433.92\text{MHz} / 434.37\text{MHz} \quad (\text{ECE})$$

Temperature shift $-20^{\circ}$ to $+65^{\circ}$ C:	+/-35ppm
Ageing:	+/-10ppm
Remaining deviation after adjustment:	+/-2ppm
Voltage dependency and drift XTO:	+/-3ppm
Total tolerances remaining after adjustment of the initial frequency	+/-50ppm

### 1.5.2 HW\_000210 - Specification of the HF transmitter

- Transmission power EIRP:

ECE*:	-14,4dBm....-22dBm
USA/Canada **	-19.6dBm....-24dBm
Japan(TELEC-T244)***:	-19.6dBm....-24dBm
Japan(ELPD 315MHz)****	-44dBm.....-41dBm

\* maximum transmission power limit Taiwan : 80.83db $\mu$ V/m at a distance of 3m.  
With isotopic propagation, the maximum transmission power is -14.4dBm.

\*\* maximum transmission power limit according to FCC section15/Canada RSS-210:  
3.75...12.5mV/m in the 260-470MHz range at a distance of 3m  
At 315MHz the figure is 6.042mV/m, which relates to a transmission power of -19.63dBm with isotopic propagation.

\*\*\* Use of the USA variant

taken from the new TELEC-T244 Japanese standard

Limit max. 25 $\mu$ W with transmission frequency of up to 315.25MHz, this relates to -16dBm

Use of the USA variant

\*\*\*\*Extremely low power devices

At a limit of 500 $\mu$ V/m and a distance of 3m with isotopic propagation, this reflects a transmission power of -41.25dBm

MARQUARDT GmbH Schloßstraße 16 D 78 604 Rietheim – Weilheim	First draft	12..03.2008	Version	1.0
	Department	C1E12	File	
	Author	U. Schwalm	Doc. no.	
	Date	12.03.2008	Page	Page 8 of 9

Proprietary data, company confidential. All rights reserved.  
 Confidant à titre de secret d'entreprise. Tous droits réservés.  
 Comunicado como secreto empresarial. Reservados todos los derechos.  
 Confidado como secreto industrial. Nos reservamos todos los derechos.

Weitergabe sowie Vervielfältigung dieser Unterlage, Verwertung und Mitteilung ihres Inhalts nicht gestattet, soweit nicht ausdrücklich zugestanden. Zuwiderhandlungen verpflichten zu Schadenersatz. Alle Rechte vorbehalten, insbesondere für den Fall der Patenterteilung oder GM-Eintragung

- Settling time for the transmission frequency (PLL)

$$t_{\text{StartUp}} = 500\mu\text{s}$$

$$t_{\text{lock}} \leq 200\mu\text{s with } \Delta f = 600\text{kHz with } f_{\text{error}} \leq 10\text{kHz}$$

- Modulation, baud rate:

Single channel operation: 10 kBaud Manchester keyless go

3-channel operation: 10 kBaud Manchester

Tolerances:  $\leq \pm 1.0\%$

- Modulation type, range:

2-FSK: +/-15kHz to +/-17kHz basic key

2-FSK: +/-15kHz to +/-21kHz keyless go key

- Emitted interference

- Harmonics & spurious

315MHz:  $\leq$  -49dBm @  $\leq$  960MHz (\*)  
 $\leq$  -41dBm @  $>$  960MHz (\*\*)

(\* This reflects the limit of 200µV/m as per FCC section 15, with isotopic propagation

(\*\* This reflects the limit of 500µV/m as per FCC section 15, with isotopic propagation

433.92MHz:  $\leq$  -36dBm @  $\leq$  1 GHz

$\leq$  -30dBm @  $>$  1GHz

all frequency bands:  $\leq$ ? -54dBm @ UKW & TV bands (EN300220)  
 47 -74MHz  
 87.5 -118MHz  
 174 -240MHz  
 470 - 862MHz

- Modulation quality:

Overshoot: Max. 100% of the nominal value

Max. duration of the overshoot:

$\leq 6\mu\text{s}$  at 10 kBaud

Build / fall times: 0 % to 100% nominal value:

$\leq 6\mu\text{s}$  at 10 kBaud

The shift times are determined with a measuring receiver, the reception bandwidth of which lies as close as possible to the receiver in the application:

Remote control vehicle locking:  $BW_{\text{Rx}} = 600\text{kHz}$

Keyless go operation:  $BW_{\text{Rx}} = 200\text{kHz}$

form 659.02

MARQUARDT GmbH Schloßstraße 16 D 78 604 Rietheim – Weilheim	First draft	12..03.2008	Version	1.0
	Department	C1E12	File	
	Author	U. Schwalm	Doc. no.	
	Date	12.03.2008	Page	Page 9 of 9