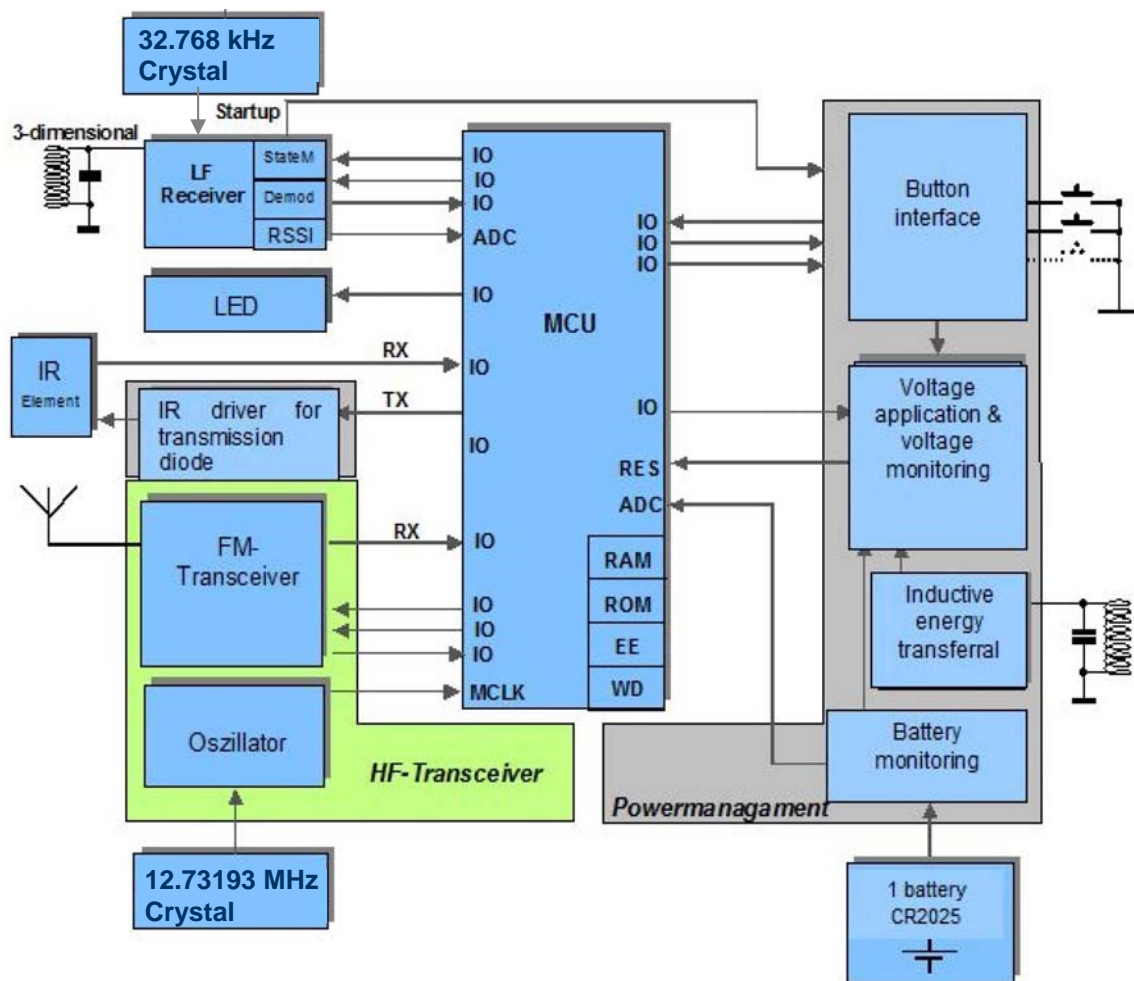


## Block Diagram



Oscillator frequencies generated or used in the device:

- 315 MHz (operating frequency)
- 12.73193 MHz (Crystal), 32.768 kHz (Crystal)