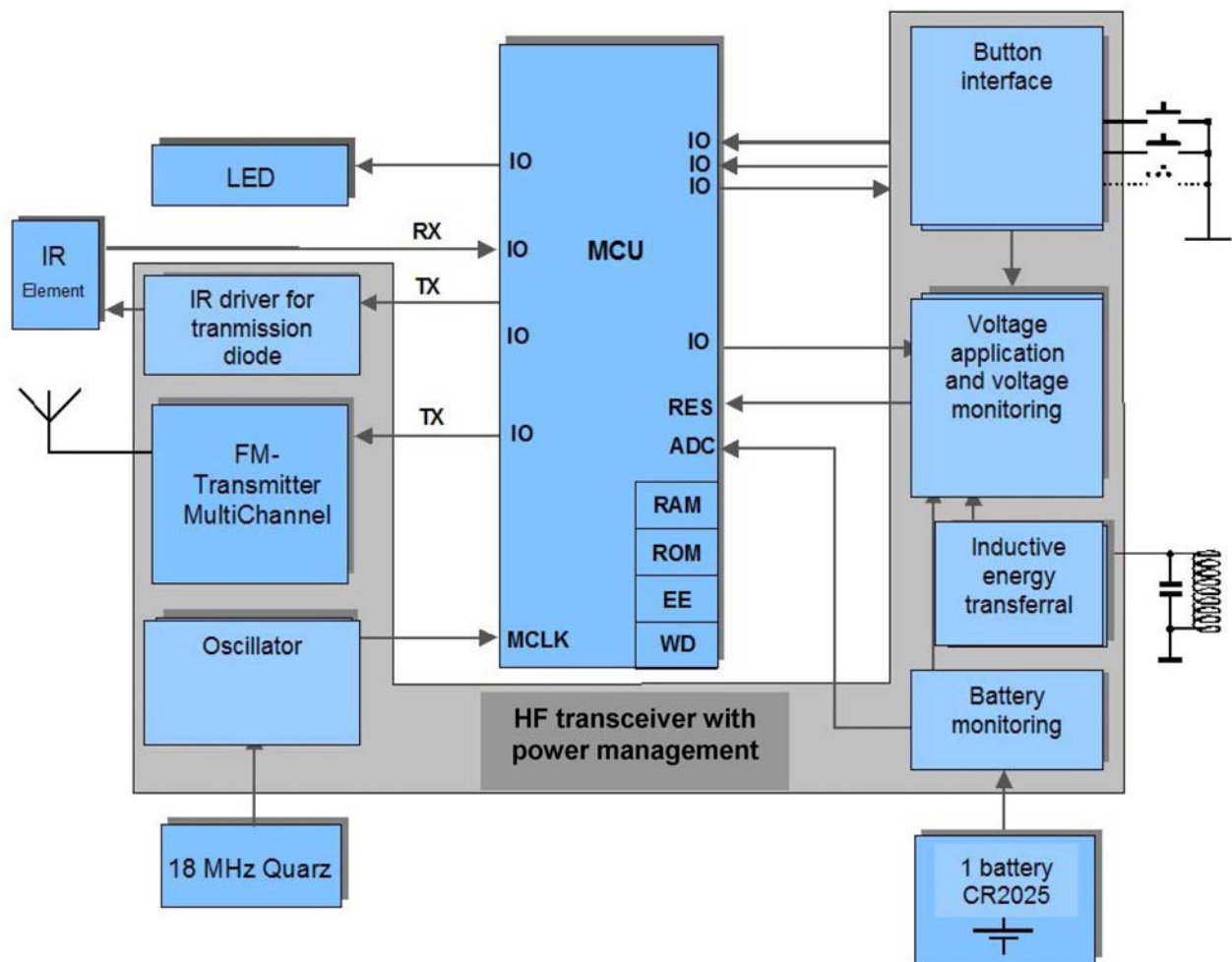


Block Diagram



Oscillator frequencies
generated or used
in the device:

One channel version: 18 MHz (Crystal); 315 MHz (operating frequency)
Three channel version: 18 MHz Crystal; 314 MHz, 314.45 and 314.9
(operating frequencies)