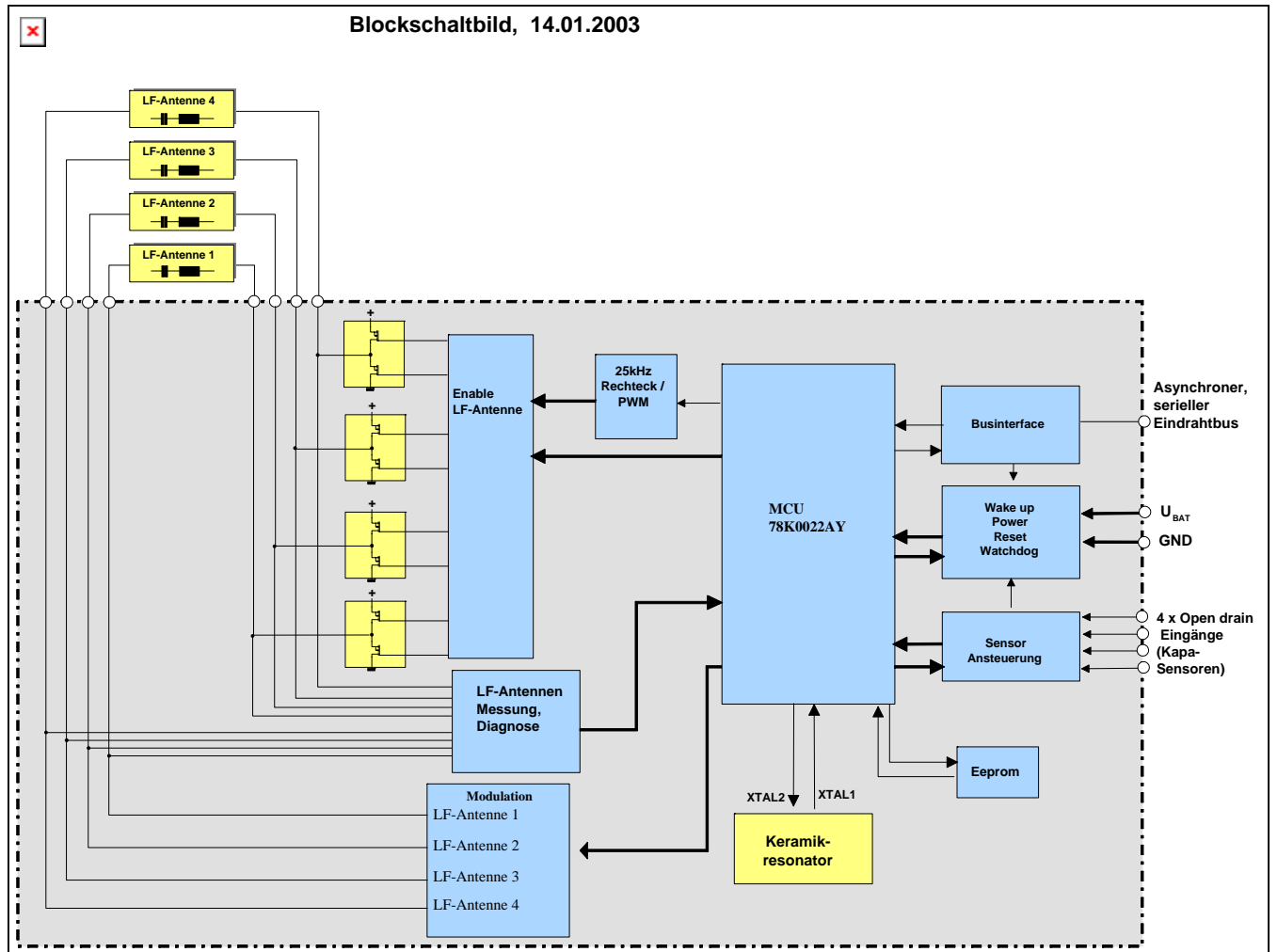


Block Diagram : Keyless Go FBS C6 KSG Typ 3309



Oscillator frequencies
generated or used
in the device:

μC: 8.0MHz